

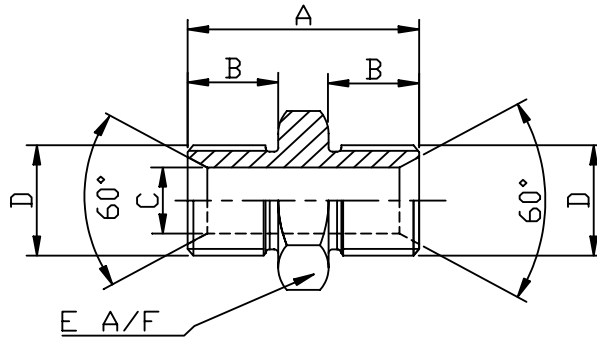
HYDRAULIC FITTINGS & SEALS**PRODUCT INFORMATION**

- * 316 stainless steel
- * 60° cone to BS 5200
- * Sizes 1/8" to 2" (DN6 to DN50)
- * Dimensions in mm
- * Plugs with flat face and 60° cone ends
- * Weights in Kg/100

INDEX

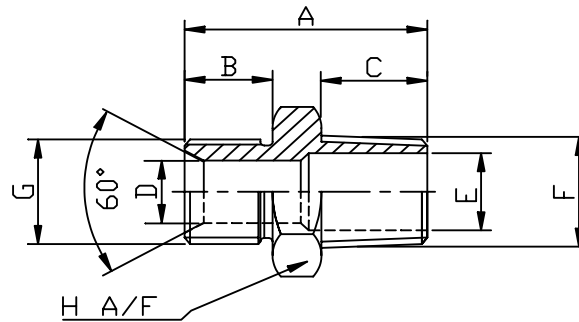
DESCRIPTION	PAGE	DESCRIPTION	PAGE
Hex nipple BSPP	12.2	Hex plug cone seat BSPP	12.5
Hex nipple BSPP/BSPT	12.2	Socket head plug BSPT	12.5
Hex nipple BSPP/NPT	12.2	Socket head plug NPT	12.5
Male bulkhead BSPP	12.3	Socket head plug BSPP	12.5
Hex reducing nipple BSPP	12.3	Hex flanged plug BSPP	12.5
Hex reducing bush BSPP	12.4	Bonded washers	12.6
Hex plug BSPP	12.5		

Hex Nipple BSPP



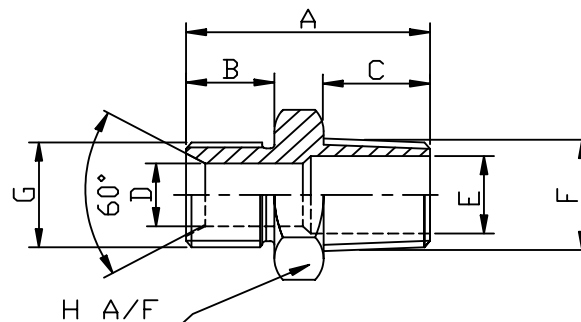
D BSPP	PART No	A	B	C	E A/F	Kg/100
1/8	HN02P	21.1	8.1	3.5	14.3	1.3
1/4	HN04P	29.1	11.1	5.1	19.1	3.2
3/8	HN06P	32.1	12.1	8.1	22.2	4.8
1/2	HN08P	38.1	14.1	11.1	28.6	8.8
3/4	HN12P	44.1	16.1	16.6	31.7	12.8
1	HN16P	50.1	19.1	22.2	41.3	21.5
1-1/4	HN20P	54.1	20.1	28.6	50.8	35.5
1-1/2	HN24P	58.1	22.1	33.3	56.4	45.5
2	HN32P	68.1	25.1	46.1	69.8	71.0

Hex Nipple BSPP/BSPT



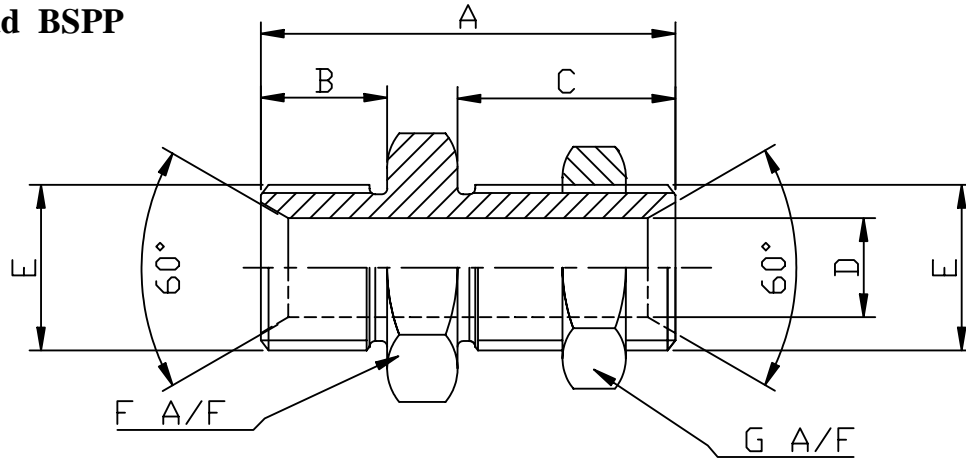
G BSPP	F BSPT	PART No	A	B	C	D	E	H A/F	Kg/100
1/8	1/8	HN02PT	23.1	8.1	10.1	3.5	5.5	14.3	1.4
1/4	1/4	HN04PT	31.1	11.1	13.1	4.7	7.5	19.1	3.2
3/8	3/8	HN06PT	33.1	12.1	13.1	8.1	10.7	22.2	4.8
1/2	1/2	HN08PT	40.1	14.1	16.1	11.1	13.5	28.6	9.2
3/4	3/4	HN12PT	47.1	16.1	19.1	16.6	18.6	31.7	12.5
1	1	HN16PT	53.2	19.1	22.2	22.2	23.8	41.3	21.0
1-1/4	1-1/4	HN20PT	58.1	20.1	24.1	28.6	31.7	50.8	35.0
1-1/2	1-1/2	HN24PT	60.1	22.1	24.1	33.3	38.1	56.4	42.5
2	2	HN32PT	70.1	25.1	27.1	46.1	46.1	69.8	75.0

Hex Nipple BSPP/NPT



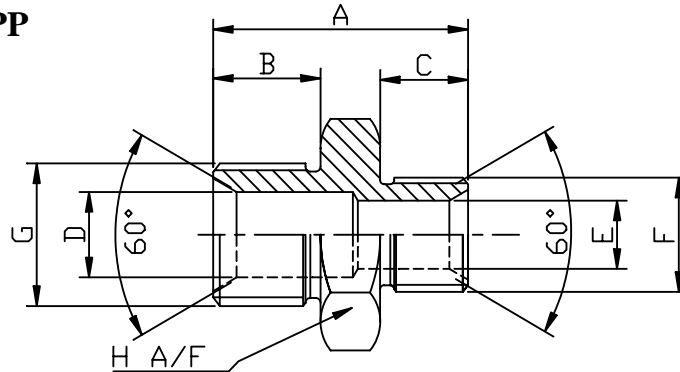
G BSPP	F NPT	PART No	A	B	C	D	E	H A/F	Kg/100
1/8	1/8	HN02PN	23.1	8.1	10.1	3.5	5.5	14.3	1.4
1/4	1/4	HN04PN	31.1	11.1	13.1	4.7	7.5	19.1	3.2
3/8	3/8	HN06PN	33.1	12.1	13.1	8.1	10.7	22.2	4.8
1/2	1/2	HN08PN	40.1	14.1	16.1	11.1	13.5	28.6	9.2
3/4	3/4	HN12PN	47.1	16.1	19.1	16.6	18.6	31.7	12.5
1	1	HN16PN	53.2	19.1	22.2	22.2	23.8	41.3	21.0
1-1/4	1-1/4	HN20PN	58.1	20.1	24.1	28.6	31.7	50.8	35.0
1-1/2	1-1/2	HN24PN	60.1	22.1	24.1	33.3	38.1	56.4	42.5
2	2	HN32PN	70.1	25.1	27.1	46.1	46.1	69.8	75.0

Male Bulkhead BSPP



G BSPP	PART No	A	B	C	D	F A/F	G A/F	Kg/100
1/8	MBH02P	41.1	8.1	28.1	3.5	14.3	15.9	3.0
1/4	MBH04P	46.1	11.1	28.1	5.1	19.1	19.1	5.5
3/8	MBH06P	52.1	12.1	32.1	8.1	22.2	22.2	8.5
1/2	MBH08P	59.1	14.1	35.1	11.1	28.6	28.6	14.5
3/4	MBH12P	66.1	16.1	38.1	16.6	31.7	35.1	21.0
1	MBH16P	72.1	19.1	41.1	22.2	41.3	44.4	34.5
1-1/4	MBH20P	78.1	20.1	44.1	28.6	50.8	50.8	55.0
1-1/2	MBH24P	84.1	22.1	48.1	33.3	56.4	63.5	77.5
2	MBH32P	91.1	25.1	48.1	46.1	69.8	69.8	103.5

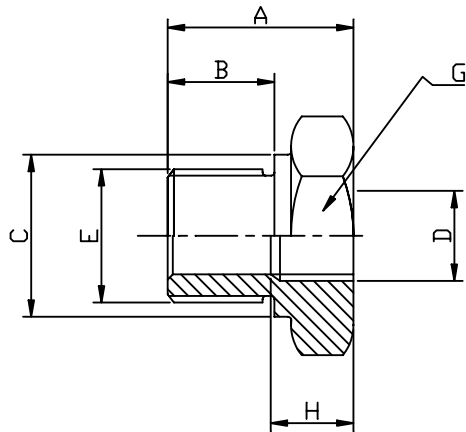
Reducing Nipple BSPP



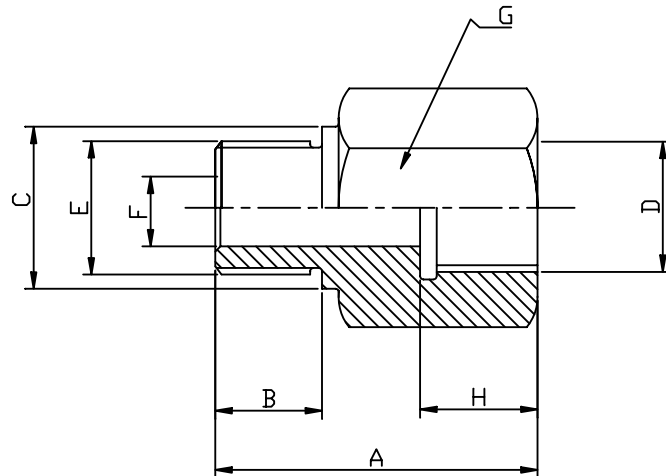
G BSPP	F BSPP	PART No	A	B	C	D	E	H A/F	Kg/100
1/4	1/8	RN0402P	26.1	11.1	8.1	4.7	3.5	19.1	2.8
3/8	1/8	RN0602P	28.1	12.1	8.1	7.9	3.5	22.2	4.0
3/8	1/4	RN0604P	31.1	12.1	11.1	7.9	4.7	22.2	4.1
1/2	1/4	RN0804P	35.1	14.1	11.1	11.1	4.7	28.6	8.0
1/2	3/8	RN0806P	36.1	14.1	12.1	11.1	7.9	28.6	8.3
3/4	3/8	RN1206P	40.1	16.1	12.1	16.6	7.9	31.7	11.5
3/4	1/2	RN1208P	42.1	16.1	14.1	16.6	11.1	31.7	12.0
1	3/8	RN1606P	43.1	19.1	12.1	22.2	7.9	41.3	18.5
1	1/2	RN1608P	45.1	19.1	14.1	22.2	11.1	41.3	19.5
1	3/4	RN1612P	47.1	19.1	16.1	22.2	16.6	41.3	19.0
1-1/4	3/4	RN2012P	50.1	20.1	16.1	28.6	16.6	50.8	33.0
1-1/4	1	RN2016P	53.1	20.1	19.1	28.6	22.2	50.8	33.5
1-1/2	3/4	RN2412P	52.1	22.1	16.1	33.3	16.6	56.4	40.5
1-1/2	1	RN2416P	55.1	22.1	19.1	33.3	22.2	56.4	41.5
1-1/2	1-1/4	RN2420P	56.1	22.1	20.1	33.3	28.6	56.4	44.0
2	1	RN3216P	62.1	25.1	19.1	46.1	22.2	69.8	68.5
2	1-1/4	RN3220P	63.1	25.1	20.1	46.1	28.6	69.8	70.0
2	1-1/2	RN3224P	65.1	25.1	22.1	46.1	33.3	69.8	72.0

Reducing Bush BSPP

TYPE A



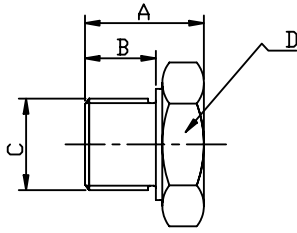
TYPE B



E BSPP	D BSPP	PART No	TYPE	A	B	C	F	G	H	Kg/100
1/4	1/8	RB0402P	B	31	12	18	5	19	12	3.8
3/8	1/8	RB0602P	A	23	12	22	-	22	8	4.0
3/8	1/4	RB0604P	B	36	12	22	8	22	17	7.0
1/2	1/4	RB0804P	A	24	14	26	-	24	12	5.7
1/2	3/8	RB0806P	B	36	14	26	12	27	17	9.2
3/4	1/4	RB1204P	A	26	16	32	-	32	12	10.4
3/4	3/8	RB1206P	A	26	16	32	-	32	12	8.7
3/4	1/2	RB1208P	B	41	16	32	16	32	20	14.4
1	1/2	RB1608P	A	29	18	39	-	41	14	14.7
1	3/4	RB1612P	B	47	18	39	20	41	22	28.0
1-1/4	3/4	RB2012P	A	32	20	49	-	50	16	26.4
1-1/4	1	RB2016P	B	52	20	49	25	50	25	45.8
1-1/2	1	RB2416P	A	36	22	55	-	55	18	34.2
1-1/2	1-1/4	RB2420P	B	58	22	55	32	55	27	54.4
2	1-1/4	RB3220P	A	39	25	69	-	70	21	57.0
2	1-1/2	RB3224P	A	39	25	69	-	70	21	44.5

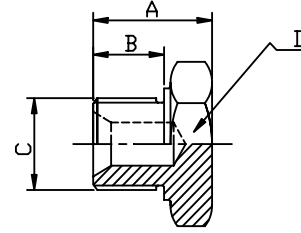
OTHER REDUCING SIZES ON REQUEST. INCREASING SIZES AVAILABLE.

Hex Plug BSPP



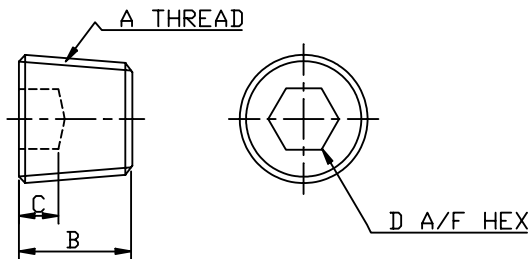
C BSPP	PART No	A	B	D A/F	Kg/100
1/8	HP02P	17.5	10.1	14.3	1.4
1/4	HP04P	19.5	11.1	19.1	3.2
3/8	HP06P	23.1	12.1	22.2	5.4
1/2	HP08P	28.1	15.1	28.6	10.3
3/4	HP12P	31.3	16.3	31.7	16.0
1	HP16P	34.1	19.1	41.3	29.0
1-1/4	HP20P	38.1	21.4	50.8	50.0
1-1/2	HP24P	39.3	22.5	56.4	65.0
2	HP32P	46.1	25.1	69.8	123.0

Hex Plug Cone Seat BSPP



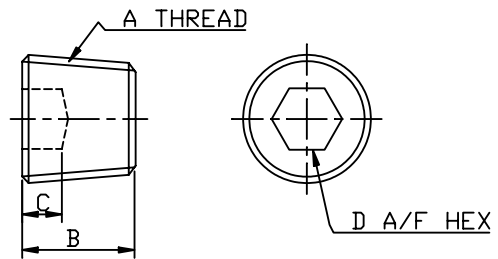
C BSPP	PART No	A	B	D A/F	Kg/100
1/8	CHP02P	17.5	10.1	14.3	1.1
1/4	CHP04P	19.5	11.1	19.1	2.6
3/8	CHP06P	23.1	12.1	22.2	4.0
1/2	CHP08P	28.1	15.1	28.6	7.7
3/4	CHP12P	31.3	16.3	31.7	11.5
1	CHP16P	34.1	19.1	41.3	19.0
1-1/4	CHP20P	38.1	21.4	50.8	35.0
1-1/2	CHP24P	39.3	22.5	56.4	44.5
2	CHP32P	46.1	25.1	69.8	83.0

Socket Head Plug BSPT



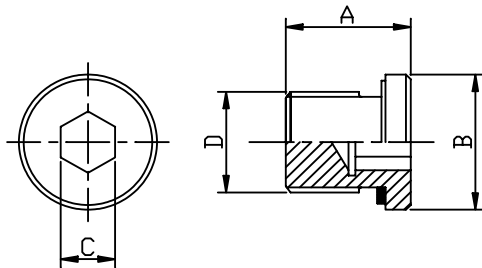
A BSPT	PART No	B	C	D	Kg/100
1/8	SHP02T	9.5	4.3	4.8	0.6
1/4	SHP04T	12.7	6.4	6.4	0.9
3/8	SHP06T	14.3	7.0	7.9	1.9
1/2	SHP08T	17.5	7.6	9.5	3.7
3/4	SHP12T	20.6	9.5	12.7	7.0
1	SHP16T	25.4	11.1	15.9	13.8
1-1/4	SHP20T	31.8	14.3	15.9	21.0
1-1/2	SHP24T	31.8	14.3	15.9	30.0
2	SHP32T	31.8	14.3	15.9	41.0

Socket Head Plug NPT



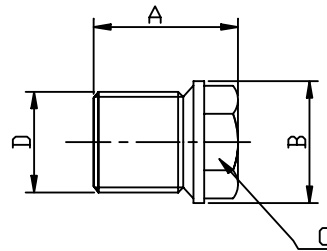
A NPT	PART No	B	C	D	Kg/100
1/8	SHP02N	9.5	4.3	4.8	0.6
1/4	SHP04N	12.7	6.4	6.4	0.9
3/8	SHP06N	14.3	7.0	7.9	1.9
1/2	SHP08N	17.5	7.6	9.5	3.7
3/4	SHP12N	20.6	9.5	12.7	7.0
1	SHP16N	25.4	11.1	15.9	13.8
1-1/4	SHP20N	31.8	14.3	15.9	21.0
1-1/2	SHP24N	31.8	14.3	15.9	30.0
2	SHP32N	31.8	14.3	15.9	41.0

Socket Head Plug BSPP (viton o-ring)



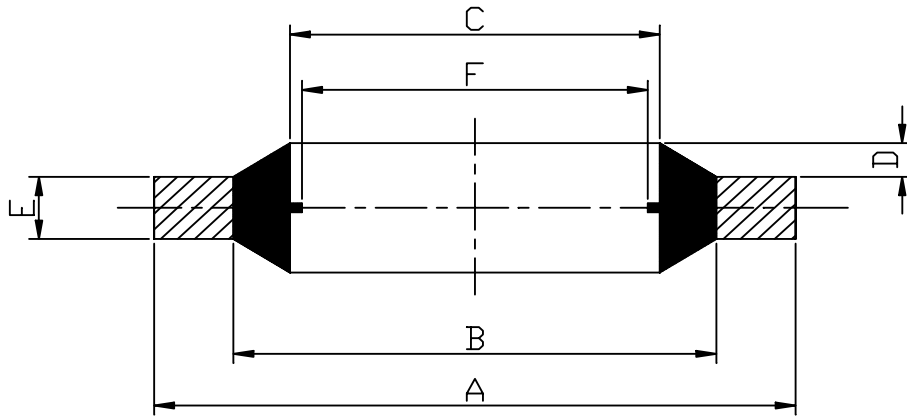
D BSPP	PART No	A	B	C	Kg/100
1/8	SHP02P	11	14	5	1.1
1/4	SHP04P	15	18	6	2.6
3/8	SHP06P	15	22	8	4.0
1/2	SHP08P	18	26	10	7.7
3/4	SHP12P	20	32	12	11.5
1	SHP16P	21	39	17	19.0

Hex Flanged Plug BSPP



D BSPP	PART No	A	B	C	Kg/100
1/8	HFP02P	17	14	10	1.4
1/4	HFP04P	21	18	13	3.2
3/8	HFP06P	21	22	17	5.4
1/2	HFP08P	26	26	19	10.3
3/4	HFP12P	30	32	24	16.0
1	HFP16P	32	39	27	29.0

Bonded Washers



SIZE BSP	PART No	A	B	C	D	E	F	Kg 100
1/8	BW02	15.88	11.84	10.37	0.25/0.51	2.03	8.56	0.15
1/4	BW04	20.57	15.21	13.74	0.25/0.51	2.03	11.45	0.25
3/8	BW06	23.80	18.75	17.28	0.25/0.51	2.03	14.96	0.29
1/2	BW08	28.58	23.01	21.54	0.25/0.51	2.49	18.64	0.46
3/4	BW12	34.93	28.53	27.05	0.25/0.51	2.49	24.13	0.62
1	BW16	42.80	36.88	33.89	0.25/0.51	3.38	30.30	0.79
1-1/4	BW20	52.38	45.93	42.93	0.25/0.51	3.38	38.96	1.04
1-1/2	BW24	58.60	51.39	48.44	0.25/0.51	3.38	44.86	1.30
2	BW32	73.03	63.63	60.58	0.25/0.51	3.38	56.67	2.14