

OTHER PRODUCTS**PRODUCT INFORMATION**

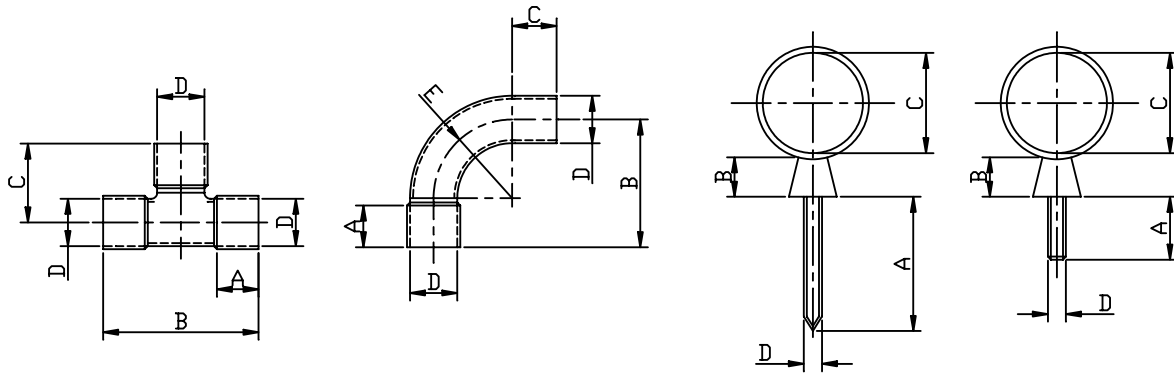
We often get asked for items not shown in this catalogue and can usually supply them within a few days although some will take longer.

In fact we are regularly adding to our stock range after catalogue updates, so please contact us for any products you do not see listed --- we can probably help you.

The list below shows some of the more popular requests we get for other products.

INDEX

| DESCRIPTION | PAGE | DESCRIPTION | PAGE |
|----------------------------------|------|----------------------------------|------|
| Capillary fittings, tube & clips | A.2 | Bolts, nuts & washers | A.6 |
| Hygienic fittings, valves & tube | A.3 | Gaskets | A.6 |
| Pressure gauges | A.4 | 3-way flanged ball valve | A.7 |
| Hoses | A.4 | Tube/pipe clamps – polypropylene | A.7 |
| Flanged Y-strainers | A.5 | | |
| Flow indicators | A.5 | | |

Capillary Fittings, Tube & Clips**RANGE**

Fittings from 10mm to 42mm

Tube from 6mm to 54mm

90 Elbow

45 Elbow

Equal Tee

Reducing Tee

Tap Connector

Female Connector

Male Connector

Straight Coupling

Reducing Coupling

Cone Union

Wood screw clip

Male clip

Female clip

Backplate

JOINING METHODS

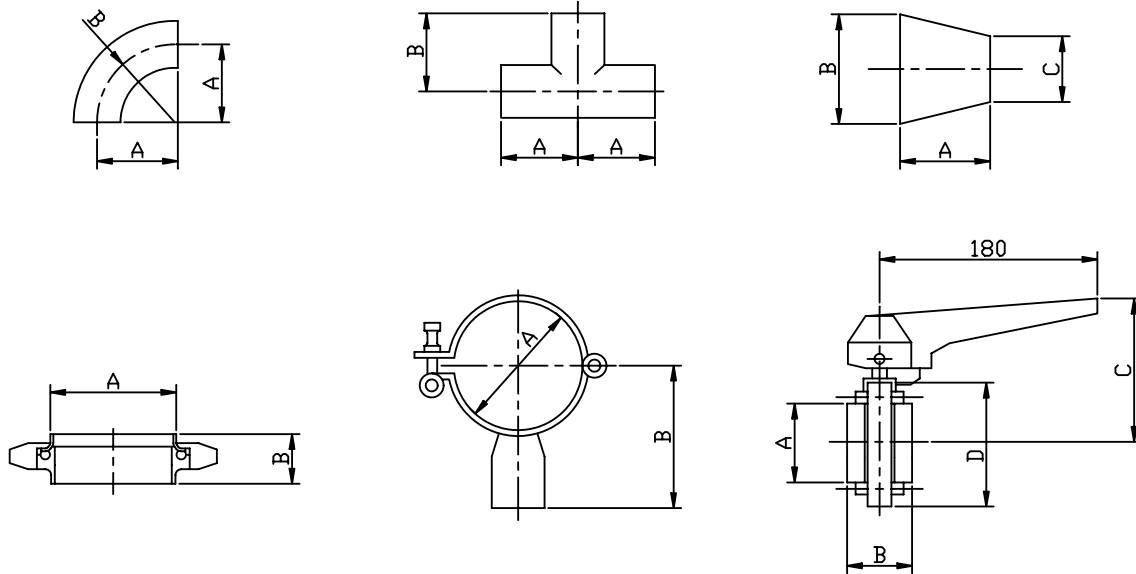
Adhesive Bonding

Soldering

Brazing

TIG Welding

MORE DETAILS AVAILABLE ON REQUEST.

Hygienic Fittings, Valves, Tube & Clips.**RANGE**

Fittings from 1/2" to 4"

Tube from 1/2" to 4"

90 Elbow

45 Elbow

Equal Tee

Reducing Tee

Concentric Reducers

Eccentric Reducers

Crosses

RJT Unions

IDF Unions

Clamp Unions

DIN Unions

SMS Unions

Pot Strainers

Butterfly Valves

Sample Cocks

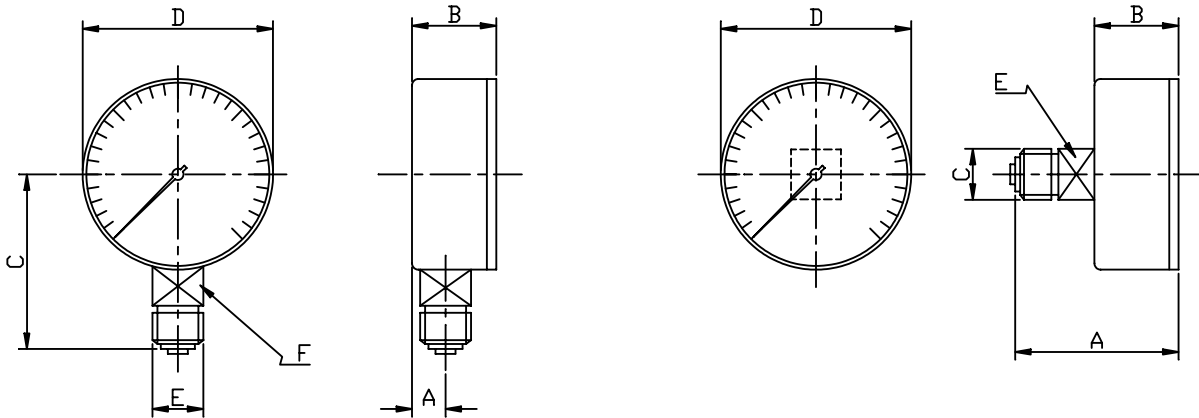
Ball Valves

Non-return Valves

Specials to order.

MORE DETAILS AVAILABLE ON REQUEST

Pressure Gauges



Centre back connection

Bottom connection

Stainless steel

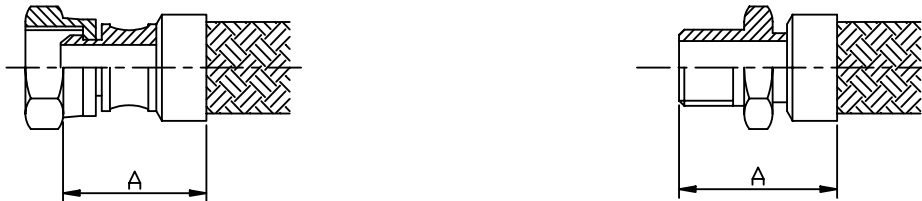
Dry or liquid filled

Various dial sizes

Vacuum to -0.30/0 Hg/bar

Pressure 0-15,000/1000 psi/bar

Hoses



Stainless steel convoluted or PTFE inner with stainless steel overbraid

1/4" to 4"

Male ends

Female ends

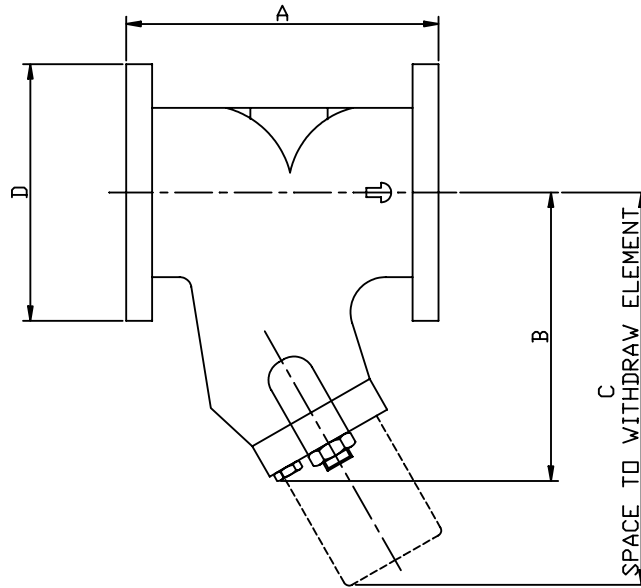
Weld ends

Flanged ends

Various lengths

MORE DETAILS AVAILABLE UPON REQUEST

Flanged Y-strainers



Flanged PN16

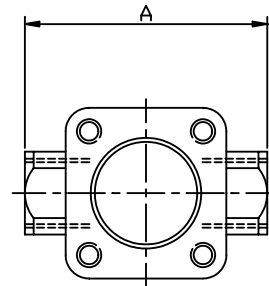
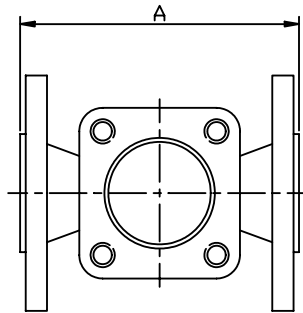
Flanged ASA150

Stainless steel

1/2" to 8"

Various filtration mesh sizes

Flow Indicators



Flanged PN16

Flanged ASA150

Stainless steel

Screwed

Straight through type

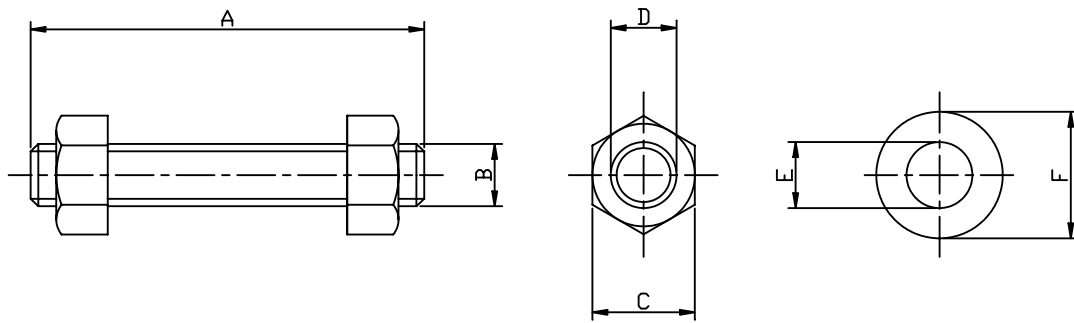
Internal flap type

Floating ball type

Paddlewheel type.

1/2" to 6"

Bolts, nuts and washers



UNC threads

Metric threads

Studbolts

Hexagon bolts

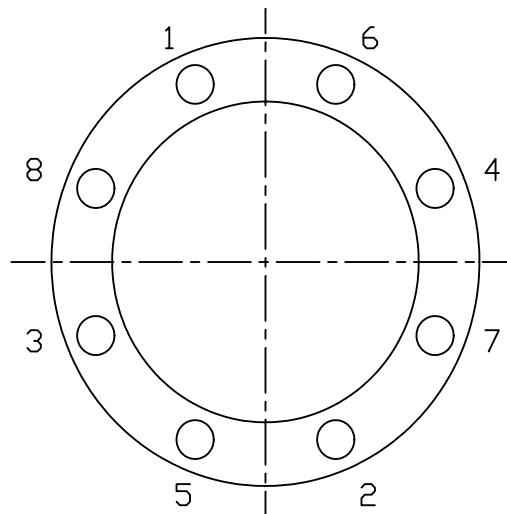
Hexagon nuts

Washers

Stainless steel

Various lengths

Gaskets



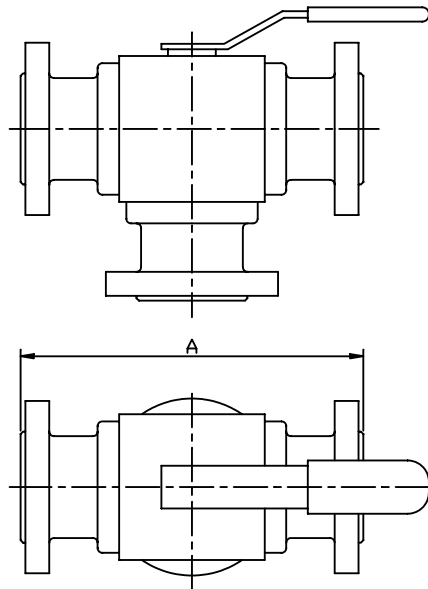
Full face

Ring type

Various materials

This range of bolts, nuts, washers and gaskets is available to suit the range of flanges shown in section 9.

3-way flanged ball valves



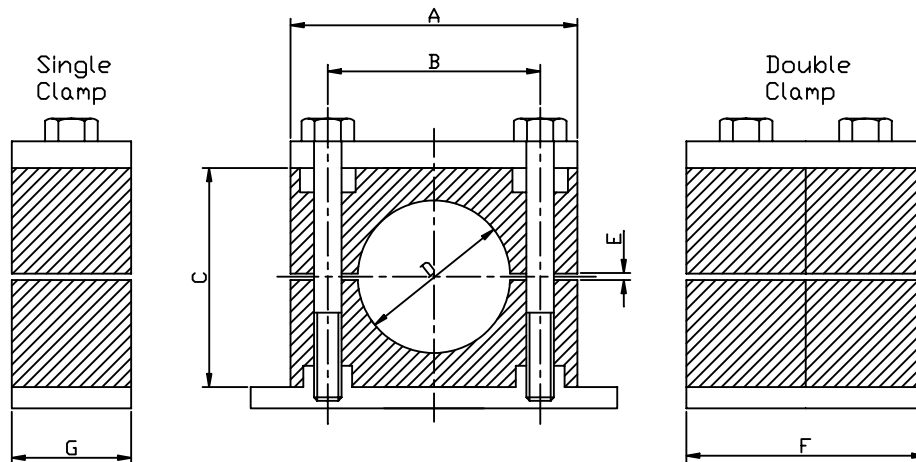
Flanged PN16

Flanged ASA150

Stainless steel

1/2" to 6"

Tube clamps



Polypropylene body

Steel or stainless steel plates

1/4" to 2" O.D.

6mm to 42mm O.D.

Single clamps.

Twin clamps