

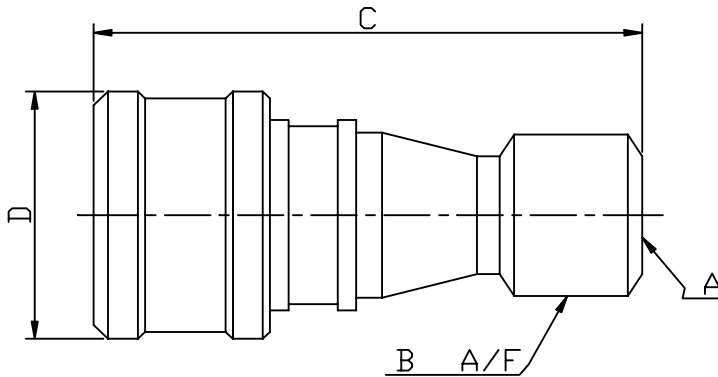
QUICK RELEASE COUPLINGS**PRODUCT INFORMATION**

- * 316 & 303 stainless steel
- * Sizes 1/8" to 6" (DN6 to DN150)
- * Dimensions in mm
- * Quick connect and release action
- * Pressures to 380 BAR (5500 psi)
- * Weights in Kg/100

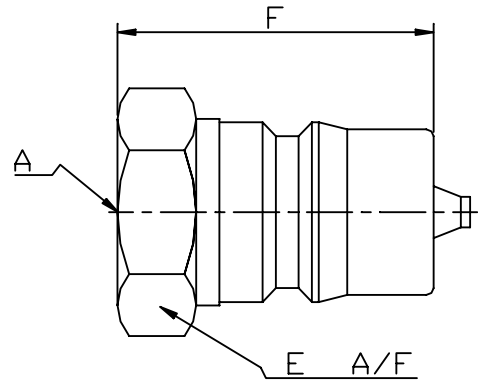
INDEX

DESCRIPTION	PAGE	DESCRIPTION	PAGE
Hydraulic coupling	13.2	Cam adaptor female Type A	13.4
Hydraulic nipple	13.2	Cam adaptor hose Type E	13.4
Cam coupler male Type B	13.3	Cam adaptor male Type F	13.5
Cam coupler female Type D	13.3	Cam dust cap Type DC	13.5
Cam coupler hose Type C	13.4	Cam dust plug Type DP	13.5

Coupling



Nipple



Specifications:

* 1/8" - 1" (DN6 - DN25)

* Nitrile seal (others available)

* 303 stainless steel

* Interchangeable with other manufactures.

* ISO series B interchange

* BSPP threaded. (NPT, available)

* 5500 psi (380 BAR) pressure

* Low pressure drop

* High flow rate

* Can be supplied without valves

SIZE A BSPP	PART No COUPLING	PART No NIPPLE	B A/F	C	D	E A/F	F	WORKING PRESSURE BAR (4:1 SAFETY)	Kg/100 COUPLING	Kg/100 NIPPLE
1/8	QRC02	QRN02	17.45	51.30	23.62	14.22	35.05	280	12	3
1/4	QRC04	QRN04	19.05	57.15	28.45	19.05	38.35	380	15	4
3/8	QRC06	QRN06	25.40	65.28	35.05	22.35	44.20	260	23	7
1/2	QRC08	QRN08	31.75	74.93	44.45	32.26	51.05	260	41	13
3/4	QRC12	QRN12	38.10	88.39	54.10	35.05	59.18	210	68	20
1	QRC16	QRN16	44.45	105.16	63.50	41.40	71.37	210	104	34

Specifications:

* 1/2" to 6" (DN15 to DN150)

* 316 Stainless steel

* 100 C max with Buna

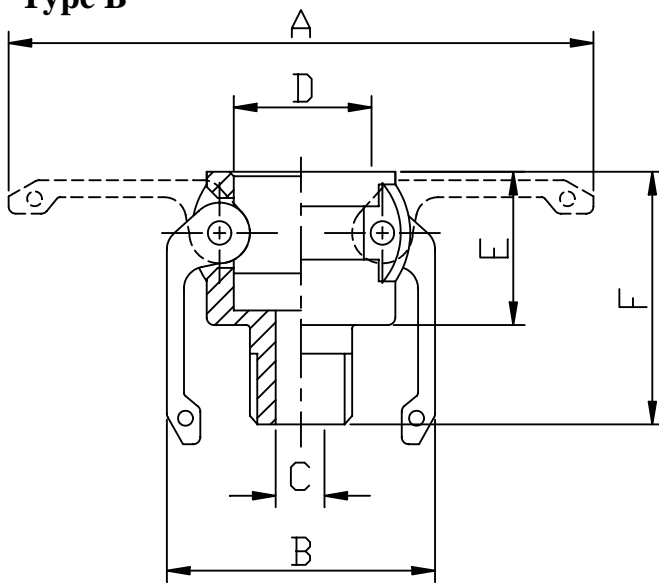
* BSPP threaded (NPT available)

* MIL-C-27487 interchangeability

* Buna N seals (nitrile) Other materials available

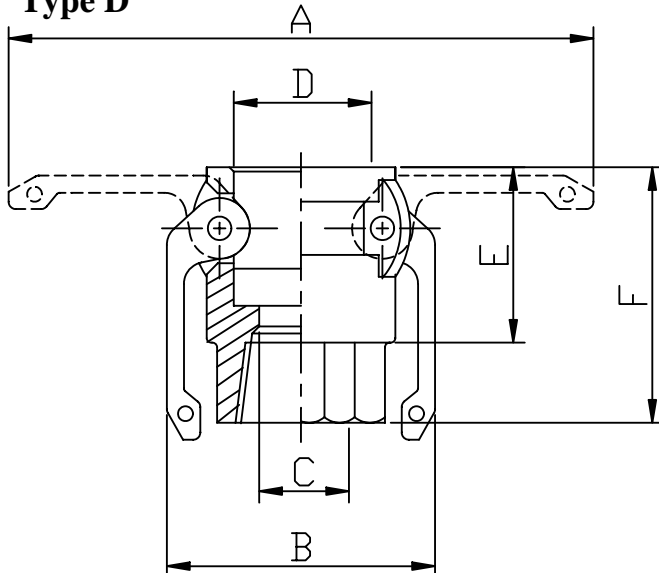
* Test pressures 1/2" to 4" 21 Bar (300 psi)
5" to 6" 14 Bar (200 psi)

Coupler Male Type B



SIZE BSPP	PART No	A	B	C	D	E	F	Kg 100
1/2	CCB08	115	52	17	32.4	32	52	13.3
3/4	CCB12	115	52	19	32.4	32	52	23.4
1	CCB16	137	61	24	37.3	39	62	34.5
1-1/4	CCB20	183	81	28	46.0	48	72	59.3
1-1/2	CCB24	191	89	35	54.0	49	73	71.4
2	CCB32	201	99	48	63.7	54	81	93.0
2-1/2	CCB40	213	111	58	76.4	58	89	134.9
3	CCB48	267	137	72	92.2	60	93	177.0
4	CCB64	296	166	96	102.2	63	99	233.5
5	CCB80	322	192	117	146.0	65	103	363.0
6	CCB96	454	258	142	176.0	70	113	536.9

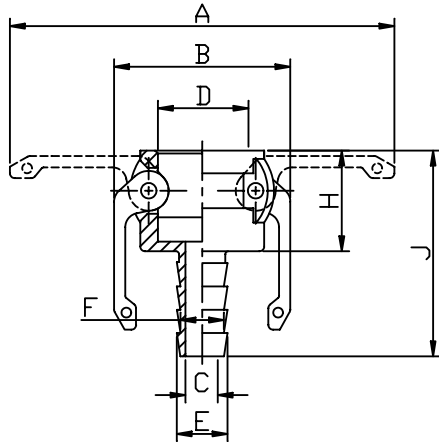
Coupler Female Type D



SIZE BSPP	PART No	A	B	C	D	E	F	Kg 100
1/2	CCD08	115	52	16	32.4	32	52	14.7
3/4	CCD12	115	52	19	32.4	32	52	26.3
1	CCD16	137	61	26	37.3	39	61	36.4
1-1/4	CCD20	183	81	33	46.0	48	68	63.4
1-1/2	CCD24	191	89	38	54.0	49	71	77.7
2	CCD32	201	99	50	63.7	54	78	98.2
2-1/2	CCD40	213	111	61	76.4	58	84	124.3
3	CCD48	267	137	75	92.2	60	90	182.5
4	CCD64	296	166	100	120.2	63	93	263.0
5	CCD80	322	192	125	146.0	65	101	395.0
6	CCD96	454	258	150	176.0	70	115	681.8

Coupler Hose

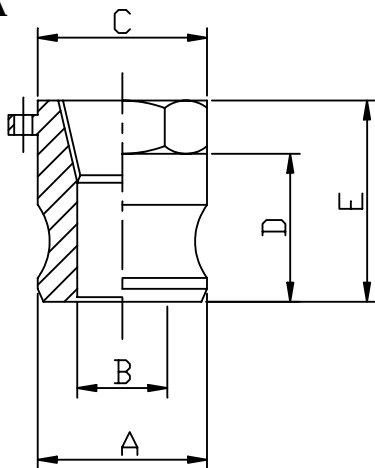
Part C



SIZE HOSE	PART No	A	B	C	D	E	F	H	J	Kg 100
1/2	CCC08	103	39	10	32.4	15.0	12.5	31	73	14.9
3/4	CCC12	115	52	14	32.4	21.4	18.6	32	83	25.5
1	CCC16	137	61	20	37.3	27.4	25.0	39	99	39.0
1-1/4	CCC20	183	81	25	46.0	33.9	31.8	48	112	61.7
1-1/2	CCC24	191	89	31	54.0	40.5	37.7	49	115	76.1
2	CCC32	201	99	43	63.7	53.2	50.0	54	131	106.0
2-1/2	CCC40	213	111	55	76.4	66.7	63.0	58	154	138.8
3	CCC48	267	137	67	92.2	79.0	75.0	60	164	213.7
4	CCC64	296	166	91	120.2	104.8	100.8	63	176	299.7
5	CCC80	322	192	117	146.0	134.0	130.0	65	192	464.0
6	CCC96	454	258	142	176.0	155.6	152.4	70	213	726.2

Adaptor Female

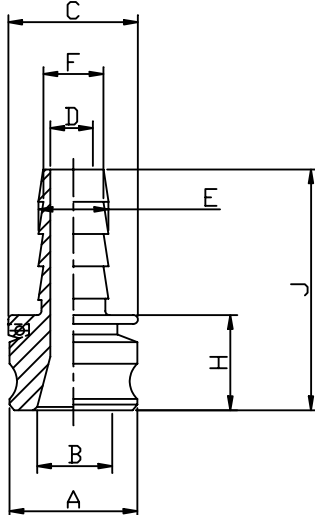
Type A



SIZE BSPP	PART No	A	B	C	D	E	Kg 100
1/2	CCA08	32.0	16	34	28	38	6.0
3/4	CCA12	32.0	21	34	28	38	12.9
1	CCA16	36.7	24	41	34	47	13.0
1-1/4	CCA20	45.5	29	48	41	56	26.5
1-1/2	CCA24	53.4	36	56	43	59	36.1
2	CCA32	63.0	45	67	48	65	50.3
2-1/2	CCA40	75.8	56	83	51	87	101.1
3	CCA48	91.5	73	96	53	73	110.5
4	CCA64	119.5	99	127	53	78	188.0
5	CCA80	145.5	122	168	55	79	270.0
6	CCA96	175.9	148	192	60	86	301.1

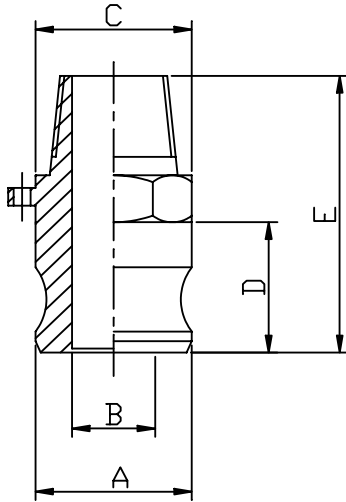
Adaptor Hose

Type E



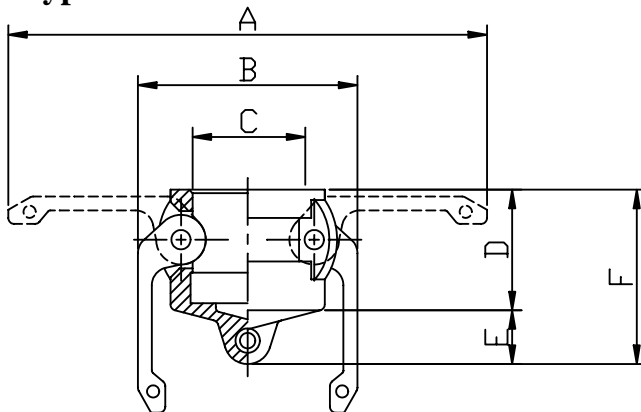
SIZE HOSE	PART No	A	B	C	D	E	F	H	J	Kg 100
1/2	CCE08	32.0	16	29	10	15.0	12.5	29	64	8.5
3/4	CCE12	32.0	21	33	14	21.4	18.6	38	89	15.1
1	CCE16	36.7	24	39	20	27.4	25.0	44	104	22.6
1-1/4	CCE20	45.5	29	48	25	33.9	31.8	51	111	41.7
1-1/2	CCE24	53.4	35	56	31	40.5	37.7	53	119	64.6
2	CCE32	63.0	45	66	43	53.2	50.0	58	135	90.0
2-1/2	CCE40	75.8	56	80	55	66.7	63.0	64	160	124.8
3	CCE48	91.5	67	102	67	79.0	75.0	66	170	177.5
4	CCE64	119.5	91	133	91	104.8	100.8	69	182	274.5
5	CCE80	145.5	122	158	117	134.0	130.0	73	200	470.0
6	CCE96	175.9	148	183	142	155.6	152.4	78	221	627.8

Adaptor Male Type F



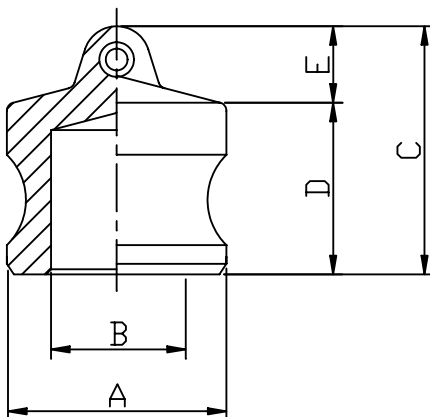
SIZE BSPT	PART No	A	B	C	D	E	Kg/100
1/2	CCF08	32.0	16.0	34	28	58	10.8
3/4	CCF12	32.0	21.0	34	28	58	17.5
1	CCF16	36.7	24.0	41	34	70	25.7
1-1/4	CCF20	45.5	29.0	48	41	80	43.8
1-1/2	CCF24	53.4	36.0	56	43	83	58.5
2	CCF32	63.0	45.5	72	48	91	91.7
2-1/2	CCF40	75.8	56.0	83	51	100	125.2
3	CCF48	91.5	73.0	96	53	106	196.0
4	CCF64	119.5	99.0	127	53	114	333.0
5	CCF80	145.5	122.0	168	55	117	404.0
6	CCF96	175.9	146.0	192	60	129	471.6

Dustcap Type DC



SIZE	PART No	A	B	C	D	E	F	Kg/100
1/2	CCDC08	103	39	32.4	32	11	43	12.8
3/4	CCDC12	115	52	32.4	32	12	44	12.7
1	CCDC16	137	61	37.3	39	14	53	30.7
1-1/4	CCDC20	183	81	46.0	48	16	64	54.0
1-1/2	CCDC24	191	89	54.0	49	20	69	66.2
2	CCDC32	201	99	63.7	54	23	77	82.8
2-1/2	CCDC40	213	111	76.4	58	25	83	106.7
3	CCDC48	267	137	92.2	60	28	88	159.2
4	CCDC64	296	166	120.2	63	30	93	222.6
5	CCDC80	322	192	146.0	65	30	95	351.0
6	CCDC96	454	258	176.0	70	33	103	511.0

Dustplug Type DP



SIZE	PART No	A	B	C	D	E	Kg/100
1/2	CCDP08	32.0	16	37	28	12	7.4
3/4	CCDP12	32.0	21	37	25	12	10.3
1	CCDP16	36.7	24	45	31	14	15.7
1-1/4	CCDP20	45.5	29	54	38	16	31.0
1-1/2	CCDP24	53.4	35	59	39	20	41.7
2	CCDP32	63.0	45	66	43	23	51.2
2-1/2	CCDP40	75.8	56	72	47	25	63.4
3	CCDP48	91.5	71	76	48	26	101.8
4	CCDP64	119.5	99	80	50	30	182.0
5	CCDP80	145.5	122	86	53	33	270.0
6	CCDP96	175.9	148	95	60	35	380.0