

SINGLE FERRULE COMPRESSION FITTINGS



PRODUCT INFORMATION

- * 316Ti stainless steel
- * Pressures up to 630 Bar
- * Dimensions in mm

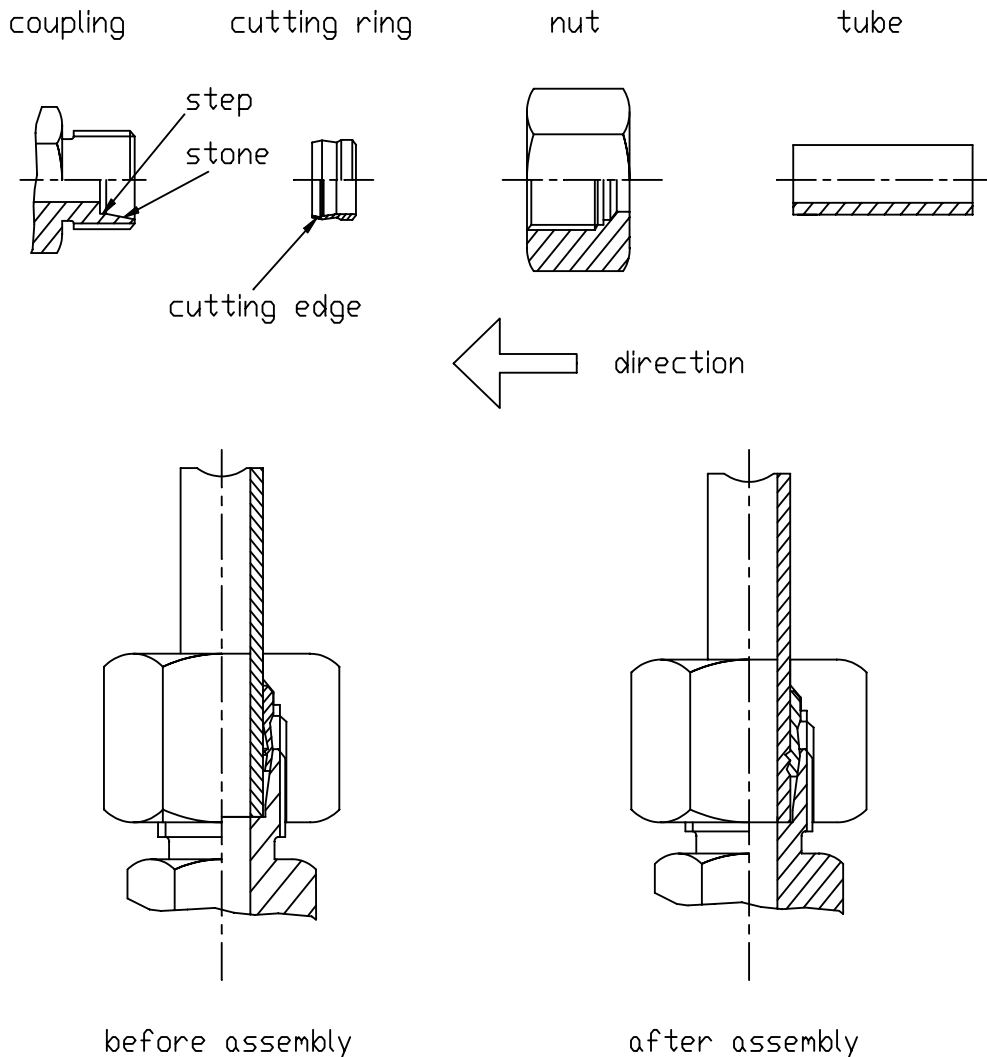
- * Dimensions to DIN 2353
- * Sizes 4mm to 42mm
- * Weights in Kg/100

INDEX

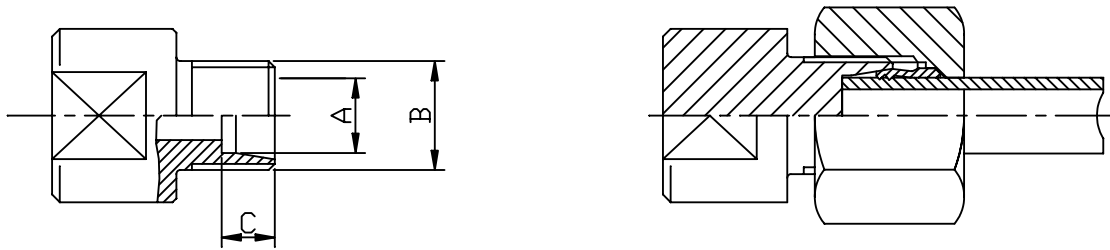
DESCRIPTION	PAGE	DESCRIPTION	PAGE
Assembly instructions	4.2	Welding coupling	4.15
Pre-installation body	4.3	Female stud coupling BSPP	4.16
Assembly lubricant	4.3	Female stud coupling NPT	4.16
Nut	4.4	Female pressure gauge coupling BSPP	4.17
Ferrule (cutting ring)	4.4	Female pressure gauge coupling NPT	4.17
Equal coupling	4.4	Reducing coupling	4.18
Equal elbow	4.4	Standpipe reducing adaptor (L type)	4.19
Equal tee	4.5	Standpipe reducing adaptor (S type)	4.19
Equal cross	4.5	Adjustable standpipe elbow	4.20
Male stud coupling BSPT	4.6	Adjustable standpipe branch tee	4.20
Male stud coupling BSPP	4.7	Adjustable standpipe run tee	4.21
Male stud coupling NPT	4.8	Adjustable male standpipe BSPP	4.21
Male stud elbow BSPT	4.9	Adjustable male standpipe NPT	4.22
Male stud elbow BSPP	4.9	Banjo elbow BSPP	4.22
Male stud elbow NPT	4.10	Banjo tee BSPP	4.23
Male branch tee BSPT	4.11	Insert for plastic tubes	4.23
Male branch tee BSPP	4.11	Plug with O-ring	4.24
Male branch tee NPT	4.12	Weld nipple with O-ring	4.24
Male run tee BSPT	4.12		
Male run tee BSPP	4.13		
Male run tee NPT	4.13		
Equal bulkhead	4.14		
Elbow bulkhead	4.14		
Welding bulkhead	4.15		

Assembly Instructions

- 1) Cut the tube square (do not use a roll cutter) and deburr the end of the tube inside and out.
- 2) Fittings should always be lubricated, pre-assembled in a vice and a hardened pre-installation body used when assembling several fittings.
- 3) Lubricate the nut, cutting ring (ferrule) and body cone.
- 4) Place the nut and cutting ring on the tube. The thicker end of the cutting ring must face the nut.
- 5) Put the tube, nut and cutting ring onto the body of the fitting. The tube should butt firmly onto the step in the body.
- 6) Tighten the nut by hand as much as possible, then mark the tube and nut.
- 7) Hold the tube in one hand and with the correct size spanner, tighten the nut until the cutting ring is felt to grip the tube. The nut should then be tightened for another 1 to 1-1/2 turns. The tube should not be able to rotate. Large size fittings will need an extension to the spanner.
- 8) Loosen the nut and check assembly. The cutting ring will have cut into the tube and sit flush on the whole circumference. The cutting ring can turn but should not be able to move backwards or forwards.
- 9) Finally, re-assemble the fittings with a spanner and apply about another 1/16 turn after reaching the tight position.

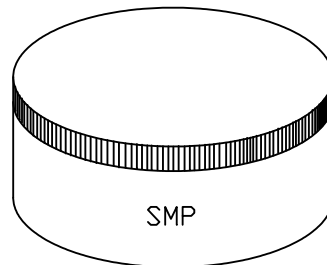


Pre Installation body



TUBE A	PART No	B	C	PN BAR	Kg/100
4	PIB04LL	M8 X 1	4.0	100	2.7
6	PIB06LL	M10 X 1	5.5		2.8
8	PIB08LL	M12 X 1	5.5		3.9
6	PIB06L	M12 X 1.5	7.0	250	4.4
8	PIB08L	M14 X 1.5	7.0		6.4
10	PIB10L	M16 X 1.5	7.0		6.6
12	PIB12L	M18 X 1.5	7.0	160	8.1
15	PIB15L	M22 X 1.5	7.0		18.0
18	PIB18L	M26 X 1.5	7.5		21.0
22	PIB22L	M30 X 2	7.5	100	30.0
28	PIB28L	M36 X 2	7.5		44.3
35	PIB35L	M45 X 2	10.5		63.5
42	PIB42L	M52 X 2	11.0	630	91.5
6	PIB06S	M14 X 1.5	7.0		6.5
8	PIB08S	M16 X 1.5	7.0		6.7
10	PIB10S	M18 X 1.5	7.5	400	8.2
12	PIB12S	M20 X 1.5	7.5		18.0
14	PIB14S	M22 X 1.5	8.0		18.2
16	PIB16S	M24 X 1.5	8.5	250	18.7
20	PIB20S	M30 X 2	10.5		29.0
25	PIB25S	M36 X 2	12.0		43.0
30	PIB30S	M42 X 2	13.5	250	62.3
38	PIB38S	M52 X 2	16.0		94.0

Assembly Lubricant



SMP is a lubricating paste that should be used for assembling single ferrule fittings.

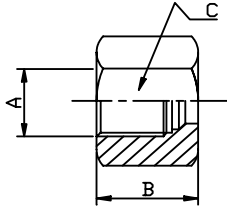
You will need less force to form a seal when used.

It will prevent locking and seizure of threads.

Temperature range is -20c to +110c.

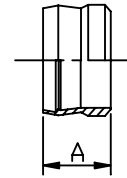
Available in 20g/250g and 1000g.

Nut



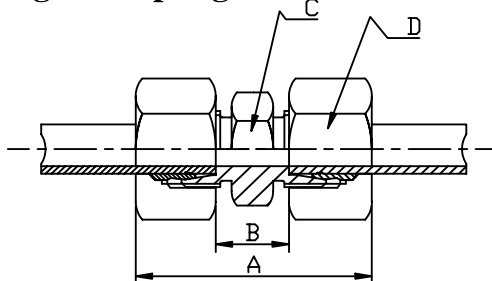
TUBE	PART No	A	B	C	PN BAR	Kg 100
4	N04LL	M8 X 1	11	10	100	0.4
6	N06LL	M10 X 1	11.5	12		0.6
8	N08LL	M12 X 1	12	14		0.7
6	N06L	M12 X 1.5	15	14	250	1.0
8	N08L	M14 X 1.5	15	17		1.5
10	N10L	M16 X 1.5	16	19		1.8
12	N12L	M18 X 1.5	16	22	160	2.4
15	N15L	M22 X 1.5	17.5	27		4.1
18	N18L	M26 X 1.5	18.5	32		6.2
22	N22L	M30 X 2	20.5	36	100	8.6
28	N28L	M36 X 2	21	41		9.4
35	N35L	M45 X 2	24	50		14.8
42	N42L	M52 X 2	24	60	630	23.8
6	N06S	M14 X 1.5	17	17		1.6
8	N08S	M16 X 1.5	17	19		1.9
10	N10S	M18 X 1.5	18	22	400	2.9
12	N12S	M20 X 1.5	18	24		3.4
14	N14S	M22 X 1.5	21	27		5.0
16	N16S	M24 X 1.5	21	30	250	6.4
20	N20S	M30 X 2	24.5	36		10.4
25	N25S	M36 X 2	27.0	46		21.0
30	N30S	M42 X 2	28	50	100	22.8
38	N38S	M52 X 2	32.5	60		32.0

Cutting Ring (Ferrule)



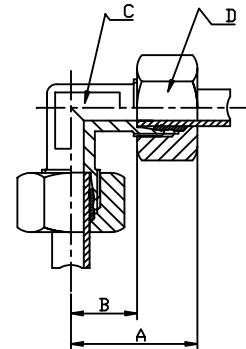
TUBE	PART No	A	PN BAR	Kg 100	
4	CR04LL	6.0	100	0.1	
6	CR06LL	7.0		0.1	
8	CR08LL	7.0		0.1	
6	CR06LS	9.5	630	0.2	
8	CR08LS	9.5		0.2	
10	CR10LS	10.5		0.3	
12	CR12LS	10.0	250	0.3	
15	CR15L	10.0		0.4	
18	CR18L	10.0		0.6	
22	CR22L	10.5	160	0.7	
28	CR28L	10.5		0.9	
35	CR35L	13.5		1.9	
42	CR42L	13.5	100	2.2	
14	CR14S	10.0		630	0.4
16	CR16S	10.5		400	0.6
20	CR20S	12.5	1.1		
25	CR25S	12.5	1.3		
30	CR30S	13.0	250	1.8	
38	CR38S	13.5		2.2	

Straight Coupling



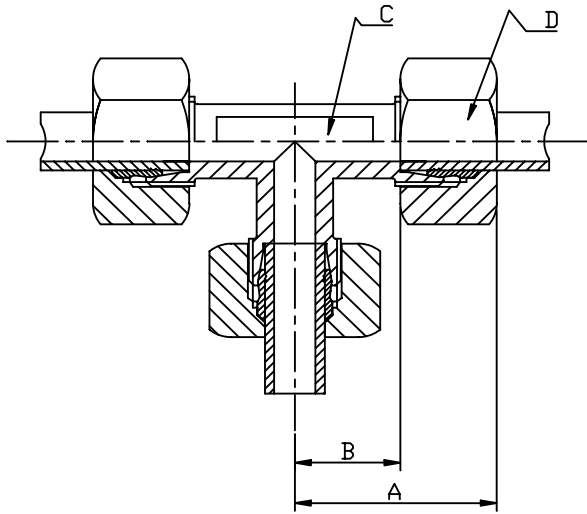
TUBE	PART No	A	B	C	D	PN BAR	Kg 100
4	SC04LL	31	12	9	10	100	1.5
6	SC06LL	32	9	11	12		2.0
8	SC08LL	35	12	12	14		2.6
6	SC06L	39	10	12	14	250	3.5
8	SC08L	40	11	14	17		5.0
10	SC10L	42	13	17	19		6.5
12	SC12L	43	14	19	22	160	8.4
15	SC15L	46	16	24	27		13.9
18	SC18L	48	16	27	32		20.1
22	SC22L	52	20	32	36	100	27.4
28	SC28L	54	21	41	41		34.1
35	SC35L	63	20	46	50		54.3
42	SC42L	66	21	55	60	630	81.9
6	SC06S	45	16	14	17		6.1
8	SC08S	47	18	17	19		7.9
10	SC10S	49	17	19	22	400	10.8
12	SC12S	51	19	22	24		13.3
14	SC14S	57	22	24	27		18.4
16	SC16S	57	21	27	30	250	22.7
20	SC20S	66	23	32	36		36.9
25	SC25S	74	26	41	46		69.7
30	SC30S	80	27	46	50	100	82.5
38	SC38S	90	29	55	60		126.3

Equal Elbow



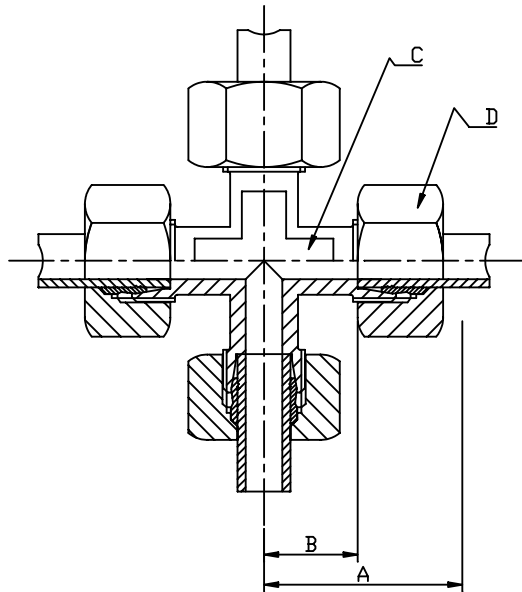
TUBE	PART No	A	B	C	D	PN BAR	Kg 100
4	EE04LL	21	11	9	10	100	1.9
6	EE06LL	21	9.5	9	12		2.2
8	EE08LL	23	11.5	12	14		3.1
6	EE06L	27	12.0	12	14	250	4.2
8	EE08L	29	14.0	12	17		5.9
10	EE10L	30	15.0	14	19		7.4
12	EE12L	32	17.0	17	22	160	9.9
15	EE15L	36	21.0	19	27		16.4
18	EE18L	40	23.5	24	32		24.8
22	EE22L	44	27.5	27	36	100	33.1
28	EE28L	47	30.5	36	41		44.8
35	EE35L	56	34.5	41	50		73.2
42	EE42L	63	40.0	50	60	630	111.6
6	EE06S	31	16.0	12	17		7.0
8	EE08S	32	17.0	14	19		9.0
10	EE10S	34	17.5	17	22	400	12.4
12	EE12S	38	21.5	17	24		15.5
14	EE14S	40	22.0	19	27		20.3
16	EE16S	43	24.5	24	30	250	26.2
20	EE20S	48	26.5	27	36		42.1
25	EE25S	54	30.0	36	46		80.4
30	EE30S	62	35.5	41	50	100	102.3
38	EE38S	72	41.0	50	60		156.5

Equal Tee



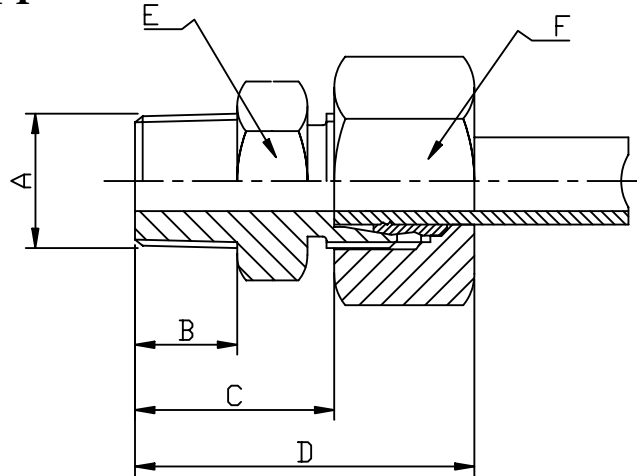
TUBE	PART No	A	B	C	D	PN BAR	Kg 100
4	ET04LL	21	11	9	10	100	2.8
6	ET06LL	21	9.5	9	12		3.3
8	ET08LL	23	11.5	12	14		4.5
6	ET06L	27	12.0	12	14	250	6.2
8	ET08L	29	14.0	12	17		10.3
10	ET10L	30	15.0	14	19		10.7
12	ET12L	32	17.0	17	22		13.7
15	ET15L	36	21.0	19	27	160	23.4
18	ET18L	40	23.5	24	32		35.1
22	ET22L	44	27.5	27	36		46.8
28	ET28L	47	30.5	36	41	100	62.6
35	ET35L	56	34.5	41	50		97.5
42	ET42L	63	40.0	50	60		147.7
6	ET06S	31	16.0	12	17	630	10.3
8	ET08S	32	17.0	14	19		12.8
10	ET10S	34	17.5	17	22		17.3
12	ET12S	38	21.5	17	24		21.9
14	ET14S	40	22.0	19	27	400	29.2
16	ET16S	43	24.5	24	30		37.0
20	ET20S	48	26.5	27	36		60.2
25	ET25S	54	30.0	36	46	250	112.8
30	ET30S	62	35.5	41	50		139.2
38	ET38S	72	41.0	50	60		210.7

Equal Cross



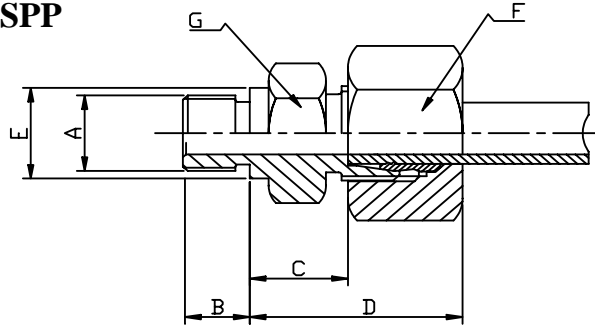
TUBE	PART No	A	B	C	D	PN BAR	Kg 100
4	EC04LL	21	11	9	10	100	3.0
6	EC06LL	21	9.5	9	12		4.0
8	EC08LL	23	11.5	12	14		6.0
6	EC06L	27	12.0	12	14	250	7.9
8	EC08L	29	14.0	12	17		10.7
10	EC10L	30	15.0	14	19		13.5
12	EC12L	32	17.0	17	22		17.9
15	EC15L	36	21.0	19	27	160	30.4
18	EC18L	40	23.5	24	32		44.7
22	EC22L	44	27.5	27	36		60.8
28	EC28L	47	30.5	36	41	100	76.9
35	EC35L	56	34.5	41	50		122.9
42	EC42L	63	40.0	50	60		184.7
6	EC06S	31	16.0	12	17	630	12.8
8	EC08S	32	17.0	14	19		16.7
10	EC10S	34	17.5	17	22		22.8
12	EC12S	38	21.5	17	24		28.4
14	EC14S	40	22.0	19	27	400	37.6
16	EC16S	43	24.5	24	30		50.1
20	EC20S	48	26.5	27	36		76.9
25	EC25S	54	30.0	36	46	250	144.4
30	EC30S	62	35.5	41	50		177.8
38	EC38S	72	41.0	50	60		268.2

Male Stud Coupling BSPT



TUBE	A BSPT	PART No	B	C	D	E	F	PN BAR	Kg 100
4	1/8	MSC04LL18BSPT	8	16.0	26	11	10	100	1.3
6	1/8	MSC06LL18BSPT	8	14.5	26	12	12		1.4
8	1/8	MSC08LL18BSPT	8	16.5	28	12	14		1.7
6	1/8	MSC06L18BSPT	8	16	31	12	14	250	2.5
6	1/4	MSC06L14BSPT	12	20	33	14	14		3.0
6	3/8	MSC06L38BSPT	12	21	34	19	14		5.0
6	1/2	MSC06L12BSPT	14	24	37	22	14		7.0
8	1/8	MSC08L18BSPT	8	18	34	12	17		3.0
8	1/4	MSC08L14BSPT	12	20	36	14	17		3.5
8	3/8	MSC08L38BSPT	12	21	26	19	17		6.2
8	1/2	MSC08L12BSPT	14	24	29	22	17		7.5
10	1/4	MSC10L14BSPT	12	21	37	17	19		4.5
10	3/8	MSC10L38BSPT	12	21	27	19	19		5.5
10	1/2	MSC10L12BSPT	14	24	40	22	19		7.5
12	1/4	MSC12L14BSPT	12	21	27	19	22		5.5
12	3/8	MSC12L38BSPT	12	22	38	19	22		6.0
12	1/2	MSC12L12BSPT	14	24	28	22	22		8.0
15	1/4	MSC15L14BSPT	12	21	38	19	27		8.3
15	3/8	MSC15L38BSPT	12	23	40	21	27	9.5	
15	1/2	MSC15L12BSPT	14	25	41	24	27	11.0	
18	1/2	MSC18L12BSPT	14	25.5	44	27	32	160	13.0
22	3/4	MSC22L34BSPT	20	29.5	46	32	36		20.0
28	1	MSC28L1BSPT	25	32.5	49	41	41	100	27.5
35	1-1/4	MSC35L114BSPT	26	34.5	56	46	50		55.0
42	1-1/2	MSC42L112BSPT	28	38	61	55	60		61.5
14	1/2	MSC14S12BSPT	14	19	37	27	27	630	15.3
16	1/2	MSC16S12BSPT	14	18.5	37	27	30		16.1

Male Stud Coupling BSPP



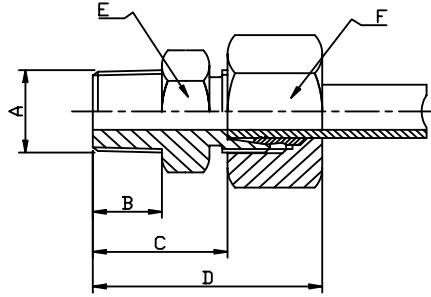
LIGHT SERIES

TUBE	A BSPP	PART No	B	C	D	E	F	G	PN BAR	Kg 100
6	1/8	MSC06L18BSPP	8	8.5	23	14	14	14	250	2.5
6	1/4	MSC06L14BSPP	12	10	27	18	14	19		4.0
6	3/8	MSC06L38BSPP	12	11.5	27	22	14	22		6.0
6	1/2	MSC06L12BSPP	14	12	27	26	14	27		8.5
8	1/8	MSC08L18BSPP	8	9	24	14	17	14		3.5
8	1/4	MSC08L14BSPP	12	10	25	18	17	19		4.4
8	3/8	MSC08L38BSPP	12	11.5	26	22	17	22		6.2
8	1/2	MSC08L12BSPP	14	12	27	26	17	27		9.0
10	1/4	MSC10L14BSPP	12	11	26	18	19	19		4.8
10	3/8	MSC10L38BSPP	12	12.5	27	22	19	22		6.3
10	1/2	MSC10L12BSPP	14	13.0	27	26	19	27		10.0
12	1/4	MSC12L14BSPP	12	12	27	18	22	19		6.0
12	3/8	MSC12L38BSPP	12	12.5	27	22	22	22		7.1
12	1/2	MSC12L12BSPP	14	13	28	26	22	27		10.0
15	3/8	MSC15L38BSPP	12	17	32	22	27	24		11.5
15	1/2	MSC15L12BSPP	14	14	29	26	27	27		11.8
15	3/4	MSC15L34BSPP	16	15.0	30	32	27	32		17.0
18	3/8	MSC18L38BSPP	12	13.5	30	22	32	27		13.5
18	1/2	MSC18L12BSPP	14	14.5	31	26	32	27	13.8	
18	3/4	MSC18L34BSPP	16	14.5	31	32	32	32	18.5	
22	1/2	MSC22L12BSPP	14	16.5	33	26	36	32	19.0	
22	3/4	MSC22L34BSPP	16	16.5	33	32	36	32	20.0	
22	1	MSC22L1BSPP	18	17.5	34	39	36	41	29.0	
28	1/2	MSC28L12BSPP	14	18.5	35	26	41	41	26.0	
28	3/4	MSC28L34BSPP	16	17.5	34	32	41	41	27.0	
28	1	MSC28L1BSPP	18	17.5	34	39	41	41	27.5	
35	1-1/4	MSC35L114BSPP	20	17.5	39	49	50	50	45.0	
42	1-1/2	MSC42L112BSPP	22	19.0	42	55	60	55	61.5	

HEAVY SERIES

TUBE	A BSPP	PART No	B	C	D	E	F	G	PN BAR	Kg 100
6	1/4	MSC06S14BSPP	12	13.0	28	18	19	17	630	5.4
6	3/8	MSC06S38BSPP	12	13.0	28	22	22	17		7.5
6	1/2	MSC06S12BSPP	14	18.0	33	26	27	17		12.5
8	1/4	MSC08S14BSPP	12	15.0	30	18	19	19		6.3
8	3/8	MSC08S38BSPP	12	15.5	30	22	22	19		8.5
8	1/2	MSC08S12BSPP	14	18.0	33	26	27	19		12.0
10	1/4	MSC10S14BSPP	12	14.5	31	18	19	22		8.0
10	3/8	MSC10S38BSPP	12	15.0	31	22	22	22		8.9
10	1/2	MSC10S12BSPP	14	15.0	32	26	27	22		12.0
12	1/4	MSC12S14BSPP	12	16.5	33	18	22	24		9.5
12	3/8	MSC12S38BSPP	12	17.0	33	22	22	24		10.0
12	1/2	MSC12S12BSPP	14	17.5	34	26	27	24		14.0
12	3/4	MSC12S34BSPP	16	14.5	31	32	32	24		15.0
14	3/8	MSC14S38BSPP	12	18.0	36	22	24	27		12.5
14	1/2	MSC14S12BSPP	14	19.0	37	26	27	27		15.5
16	1/2	MSC16S12BSPP	14	18.5	37	26	27	30		16.5
16	3/4	MSC16S34BSPP	16	18.5	37	32	32	30		22.0
20	1/2	MSC20S12BSPP	14	15.5	37	26	32	36		22.5
20	3/4	MSC20S34BSPP	16	20.5	42	32	32	36	26.5	
25	3/4	MSC25S34BSPP	16	23.0	47	32	41	46	46.5	
25	1	MSC25S1BSPP	18	23.0	47	39	41	46	49.5	
30	1-1/4	MSC30S114BSPP	20	23.5	50	49	50	50	68.0	
38	1-1/2	MSC38S112BSPP	22	26.0	57	55	55	60	92.9	

Male Stud Coupling NPT



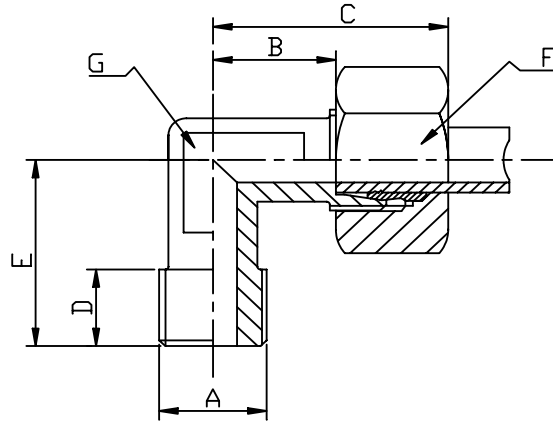
LIGHT SERIES

TUBE	A NPT	PART No	B	C	D	E	F	PN BAR	Kg 100
4	1/8	MSC04LL18NPT	9.9	18.0	28	11	10	100	1.4
6	1/8	MSC06LL18NPT	9.9	16.5	28	12	12		1.6
8	1/8	MSC08LL18NPT	9.9	18.5	30	12	14		1.9
6	1/8	MSC06L18NPT	9.9	17.0	32	12	14		2.4
6	1/4	MSC06L14NPT	15.1	23.0	38	14	14	250	3.5
6	3/8	MSC06L38NPT	15.3	24.0	39	19	14		5.5
6	1/2	MSC06L12NPT	19.9	29.0	44	22	14		7.0
8	1/8	MSC08L18NPT	10.0	18.0	33	17	14		3.5
8	1/4	MSC08L14NPT	15.1	23.0	38	17	17		4.0
8	3/8	MSC08L38NPT	15.3	24.0	39	19	17		5.5
8	1/2	MSC08L12NPT	19.9	29.0	44	22	17		8.5
10	1/4	MSC10L14NPT	15.1	24.0	39	17	19		4.5
10	3/8	MSC10L38NPT	15.3	25.0	40	19	19		6.0
10	1/2	MSC10L12NPT	19.9	30.0	45	22	19		8.5
12	1/4	MSC12L14NPT	15.1	25.0	40	17	22		5.9
12	3/8	MSC12L38NPT	15.2	25.0	40	19	22		6.6
12	1/2	MSC12L12NPT	19.8	30.0	45	22	22		9.0
12	3/4	MSC12L34NPT	20.1	31.0	46	27	22		10.5
15	1/4	MSC15L14NPT	15.1	27.0	42	24	27		9.5
15	3/8	MSC15L38NPT	15.2	27.0	42	24	27		10.5
15	1/2	MSC15L12NPT	19.8	31.0	46	24	27	11.0	
15	3/4	MSC15L34NPT	20.1	31.0	46	27	27	11.5	
18	3/8	MSC18L38NPT	15.2	27.0	44	27	32	160	13.0
18	1/2	MSC18L12NPT	19.8	31.5	48	27	32		14.0
18	3/4	MSC18L34NPT	20.1	32.0	49	27	32		17.0
22	1/2	MSC22L12NPT	19.8	28.5	45	32	36		18.0
22	3/4	MSC22L34NPT	20.1	33.5	50	32	36	20.0	
22	1	MSC22L1NPT	25.0	39.5	56	36	36	21.5	
28	3/4	MSC28L34NPT	20.1	34.5	51	41	41	100	25.0
28	1	MSC28L1NPT	25.0	39.3	56	41	41		27.5
35	1	MSC35L1NPT	25.0	39.5	61	46	50		50
35	1-1/4	MSC35L114NPT	25.6	40.5	62	46	50		55

HEAVY SERIES

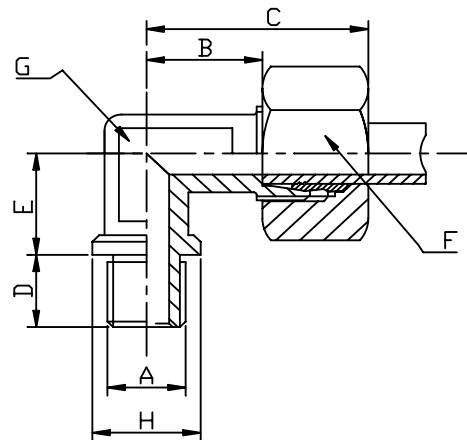
TUBE	A NPT	PART No	B	C	D	E	F	PN BAR	Kg 100
6	1/8	MSC06S18NPT	10.0	28.0	43	17	17	630	4.5
6	1/4	MSC06S14NPT	15.1	28.0	43	17	17		6.0
6	3/8	MSC06S38NPT	15.3	28.0	43	19	17		7.0
6	1/2	MSC06S12NPT	19.9	35.0	50	22	17		11.0
8	1/8	MSC08S18NPT	10.0	21.0	36	17	19		5.0
8	1/4	MSC08S14NPT	15.1	28.0	43	17	19		6.0
10	1/4	MSC10S14NPT	15.1	27.5	44	19	22		7.5
10	3/8	MSC10S38NPT	15.2	27.5	44	19	22		8.0
10	1/2	MSC10S12NPT	15.1	30.0	47	22	22		12.0
12	1/4	MSC12S14NPT	15.1	29.5	46	22	24		9.0
12	3/8	MSC12S38NPT	15.2	29.5	46	22	24		10.0
12	1/2	MSC12S12NPT	19.8	34.5	51	24	24		12.0
12	3/4	MSC12S34NPT	20.2	35.0	52	27	24		17.0
14	1/4	MSC14S14NPT	15.1	31.0	49	24	27		12.5
14	3/8	MSC14S38NPT	15.1	31.0	49	24	27		13.0
14	1/2	MSC14S12NPT	19.8	36.0	54	24	27		14.5
16	1/2	MSC16S12NPT	19.8	35.5	54	27	30	400	16.5
16	3/4	MSC16S34NPT	20.1	35.5	54	27	30		20.5
20	3/4	MSC20S34NPT	20.1	35.5	59	32	36		25.5
25	1	MSC25S1NPT	25.0	45.0	69	41	46		50.0
30	1-1/4	MSC30S114NPT	25.6	46.5	73	46	50	250	65.0
38	1-1/2	MSC38S112NPT	26.0	49.0	80	55	60		94.4

Male Stud Elbow BSPT



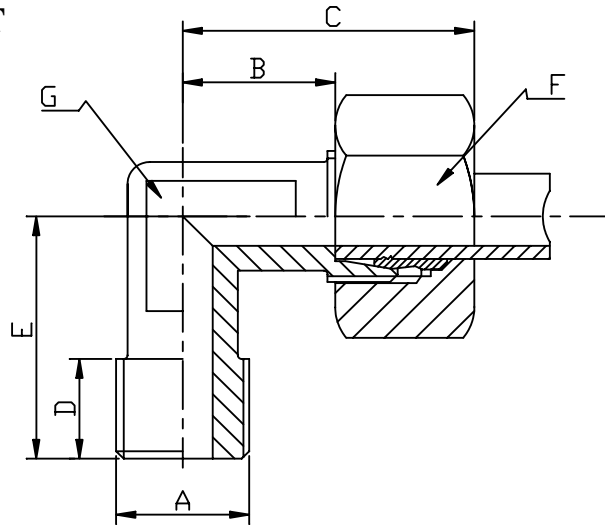
TUBE	A BSPT	PART No	B	C	D	E	F	G	PN BAR	Kg 100	
4	1/8	MSE04LL18BSPT	11.0	21	8	17	10	11	100	1.7	
6	1/8	MSE06LL18BSPT	9.5	21	8	17	12	11		1.7	
8	1/8	MSE08LL18BSPT	11.5	23	8	20	14	12		2.4	
6	1/4	MSE06L18BSPT	12.0	27	8	20	14	12	250	3.2	
6	1/4	MES06L14BSPT	12.0	27	12	24	14	12		4.0	
8	1/8	MSE08L18BSPT	14.0	27	8	24	17	12		4.2	
8	1/4	MSE08L14BSPT	14.0	29	12	26	17	12		4.6	
8	3/8	MSE08L38BSPT	15.0	30	12	27	17	14		5.0	
8	1/2	MSE08L12BSPT	17.0	32	14	30	17	19		5.5	
10	1/4	MSE10L14BSPT	15.0	30	12	27	19	14		5.7	
10	3/8	MSE10L38BSPT	15.0	30	12	28	19	14		6.0	
10	1/2	MSE10L12BSPT	15.0	30	14	30	19	19		6.5	
12	1/4	MSE12L14BSPT	17.0	32	12	28	22	17		7.0	
12	3/8	MSE12L38BSPT	17.0	32	12	28	22	17		7.8	
12	1/2	MSE12L12BSPT	21.0	36	14	32	22	19		8.2	
15	1/2	MSE15L12BSPT	21.0	36	14	34	27	19		13.7	
18	1/2	MSE18L12BSPT	23.5	40	14	36	32	24		160	18.9
6	1/4	MSE06S14BSPT	16.0	31	12	26	17	14		630	5.5
8	1/4	MSE08S14BSPT	17.0	32	12	27	19	17	6.9		
10	3/8	MSE10S38BSPT	17.5	34	12	28	22	17	10.0		
12	3/8	MSE12S38BSPT	21.5	38	12	28	24	22	11.5		
14	1/2	MSE14S12BSPT	22.0	40	14	32	27	19	15.7		
16	1/2	MSE16S12BSPT	24.5	43	14	32	30	24	400	19.1	

Male Stud Elbow BSPP



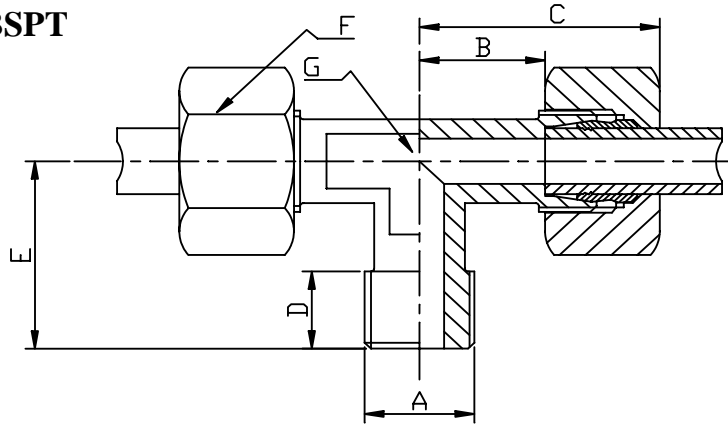
TUBE	A BSPP	PART No	B	C	D	E	F	G	H	PN BAR	Kg 100
22	3/4	MSE22L34BSPP	27.5	44	16	26	36	27	32	160	26.8
28	1	MSE28L1BSPP	30.5	47	18	30	41	36	39	100	41.5
35	1-1/4	MSE35L114BSPP	34.5	56	20	34	50	50	49		63.3
42	1-1/2	MSE42L112BSPP	40.0	63	22	39	60	50	55		94.1
20	3/4	MSE20S34BSPP	26.5	48	16	26	27	20	32	400	32.5
25	1	MSE25S1BSPP	30.0	54	18	20	36	25	39		62.5
30	1-1/4	MSE30S114BSPP	35.5	62	20	34	50	30	49	250	86.0
38	1-1/2	MSE38S112BSPP	41.0	72	22	39	60	50	55		121.2

Male Stud Elbow NPT



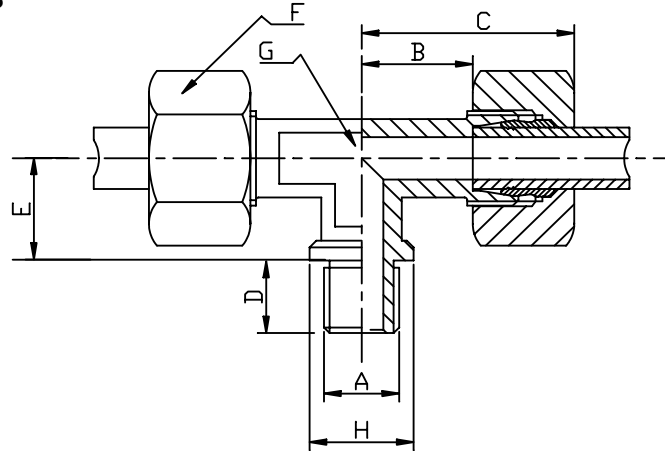
TUBE	A NPT	PART No	E	D	B	C	F	G	PN BAR	Kg 100	
4	1/8	MSE04LL18NPT	17	9.9	11.0	21	10	11	100	2.1	
6	1/8	MSE06LL18NPT	17	9.9	9.5	21	12	11		2.4	
8	1/8	MSE08LL18NPT	20	9.9	11.5	23	14	13		3.3	
6	1/8	MSE06L18NPT	20	9.9	12.0	27	14	12	250	3.2	
6	1/4	MSE06L14NPT	26	15.1	12.0	27	14	12		4.0	
8	1/4	MSE08L14NPT	26	15.1	14.0	29	17	12		4.6	
10	1/4	MSE10L14NPT	27	15.1	15.0	30	19	14		5.7	
12	1/4	MSE12L14NPT	28	15.1	17.0	32	22	17		7.9	
12	3/8	MSE12L38NPT	28	15.2	17.0	32	22	17		8.1	
12	1/2	MSE12L12NPT	34	19.8	17.0	32	22	19		10.0	
15	1/2	MSE15L12NPT	34	19.8	21.0	36	27	19		13.5	
18	1/2	MSE18L12NPT	36	19.8	23.5	40	32	24		160	19.4
22	3/4	MSE22L34NPT	42	20.1	27.5	44	36	27			26.7
28	1	MSE28L1NPT	48	25.0	30.5	47	41	37	100	38.5	
35	1-1/4	MSE35L114NPT	54	25.6	34.5	56	50	41		57.5	
42	1-1/2	MSE42L112NPT	61	26.0	40.0	63	60	50		83.0	
6	1/4	MSE06S14NPT	26	15.1	16.0	31	17	12	630	5.6	
8	1/4	MSE08S14NPT	27	15.1	17.0	32	19	14		6.9	
10	3/8	MSE10S38NPT	28	15.2	17.5	34	22	19		13.5	
12	1/4	MSE12S14NPT	28	15.1	21.5	38	24	17		11.0	
12	3/8	MSE12S38NPT	28	15.2	21.5	38	24	17		11.2	
12	1/2	MSE12S12NPT	28	19.8	21.5	38	24	17		13.5	
14	1/2	MSE14S12NPT	34	19.8	22.0	40	27	19		15.6	
16	1/2	MSE16S12NPT	36	19.8	24.5	43	30	24		19.5	
20	3/4	MSE20S34NPT	42	20.1	26.5	48	36	27	400	31.4	
25	1	MSE25S1NPT	48	25.0	30.0	54	46	36		60.2	
30	1-1/4	MSE30S114NPT	54	25.6	35.5	62	50	41	250	82.0	
38	1-1/2	MSE38S112NPT	61	26.0	41.0	72	60	50		116.0	

Male Branch Tee BSPT



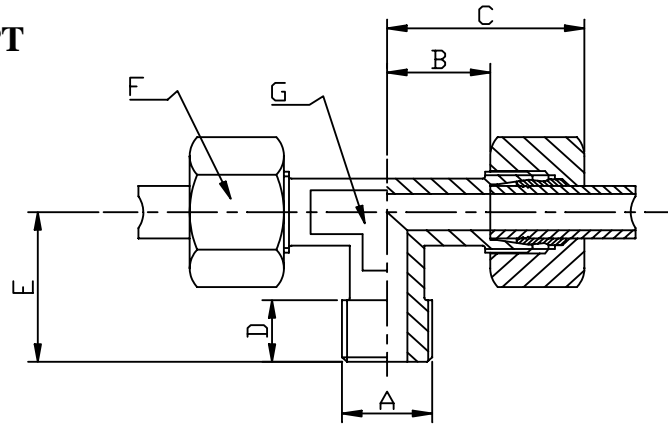
TUBE	A BSPT	PART No	B	C	D	E	F	G	PN BAR	Kg 100
4	1/8	MBT04LL18BSPT	11.0	21	8	17	10	9	100	2.6
6	1/8	MBT06LL18BSPT	9.5	21	8	17	12	9		3.4
8	1/8	MBT08LL18BSPT	11.5	23	8	20	14	12		3.7
6	1/8	MBT06L18BSPT	12.0	27	8	20	14	12	250	5.1
8	1/4	MBT08L14BSPT	14.0	29	12	26	17	12		6.9
10	1/4	MBT10L14BSPT	15.0	30	12	27	19	14		9.2
12	3/8	MBT12L38BSPT	17.0	32	12	28	22	17		12.1
15	1/2	MBT15L12BSPT	21.0	36	14	34	27	19	160	19.8
18	1/2	MBT18L12BSPT	23.5	40	14	36	32	24		29.1
6	1/4	MBT06S14BSPT	16.0	31	12	26	17	12		630
8	1/4	MBT08S14BSPT	17.0	32	12	27	19	14	14.0	
10	3/8	MBT10S38BSPT	17.5	34	12	28	22	17	19.0	
12	3/8	MBT12S38BSPT	21.5	38	12	28	24	17	24.5	
14	1/2	MBT14S12BSPT	22.0	40	14	32	27	19	24.4	
16	1/2	MBT16S12BSPT	24.5	43	14	32	30	24	400	31.0

Male Branch Tee BSPP



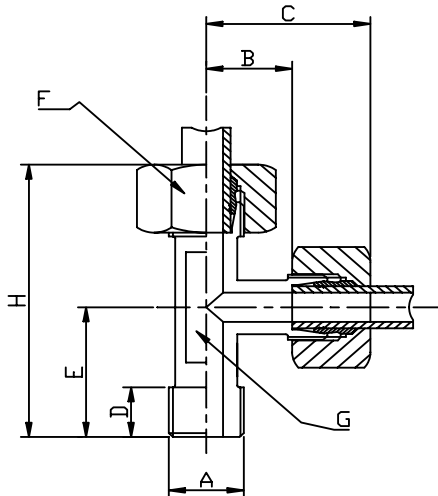
TUBE	A BSPP	PART No	B	C	D	E	F	G	H	PN BAR	Kg 100	
22	3/4	MBT22L34BSPP	27.5	44	16	26	36	27	32	160	36.9	
28	1	MBT28L1BSPP	30.5	47	18	30	41	36	39		100	61.0
35	1-1/4	MBT35L114BSPP	34.5	56	20	34	50	41	49			84.9
42	1-1/2	MBT42L112BSPP	40.0	63	22	39	60	50	55	400	142.2	
20	3/4	MBT20S34BSPP	26.5	48	16	26	36	27	32		45.5	
25	1	MBT25S1BSPP	30.0	54	18	30	46	36	39		37.5	
30	1-1/4	MBT30S114BSPP	35.5	62	20	34	50	41	49	250	121.5	
38	1-1/2	MBT38S112BSPP	41.0	72	22	39	60	50	55		174.0	

Male Branch Tee NPT



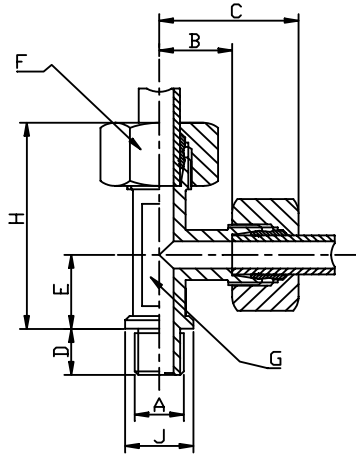
TUBE	A NPT	PART No	B	C	D	E	F	G	PN BAR	Kg 100
4	1/8	MBT04LL18NPT	11.0	21	8	17	10	9	100	2.6
6	1/8	MBT06LL18NPT	9.5	21	8	17	12	9		3.4
8	1/8	MBT08LL18NPT	11.5	23	8	20	14	12	250	3.7
6	1/8	MBT06L18NPT	12.0	27	8	20	14	12		5.1
8	1/4	MBT08L14NPT	14.0	29	12	26	17	12	250	6.9
10	1/4	MBT10L14NPT	15.0	30	12	27	19	14		9.2
12	3/8	MBT12L38NPT	17.0	32	12	28	22	17	250	12.1
15	1/2	MBT15L12NPT	21.0	36	14	34	27	19		19.8
18	1/2	MBT18L12NPT	23.5	40	14	36	32	24	160	29.1
6	1/4	MBT06S14NPT	16.0	31	12	26	17	12	630	10.9
8	1/4	MBT08S14NPT	17.0	32	12	27	19	14		14.0
10	3/8	MBT10S38NPT	17.5	34	12	28	22	17	630	19.0
12	3/8	MBT12S38NPT	21.5	38	12	28	24	17		24.5
14	1/2	MBT14S12NPT	22.0	40	14	32	27	19	400	24.4
16	1/2	MBT16S12NPT	24.5	43	14	32	30	24		31.0

Male Run Tee BSPT



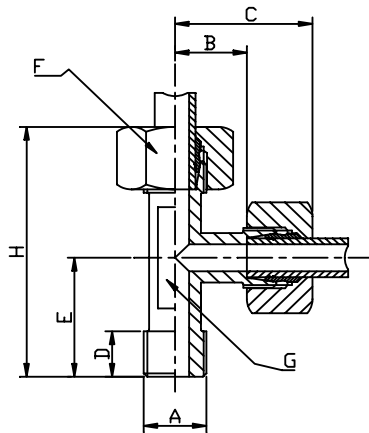
TUBE	A BSPT	PART No	B	C	D	E	F	G	H	PN BAR	Kg 100
4	1/8	MRT04LL18BSPT	11.0	21	8	17	10	11	38	100	2.6
6	1/8	MRT06LL18BSPT	9.5	21	8	17	12	11	38		3.4
8	1/8	MRT08LL18BSPT	11.5	23	8	20	14	12	43	250	3.7
6	1/8	MRT06L18BSPT	12.0	27	8	20	14	12	47		5.1
8	1/4	MRT08L14BSPT	14.0	29	12	26	17	12	55	250	6.9
10	1/4	MRT10L14BSPT	15.0	30	12	27	19	17	57		9.2
12	3/8	MRT12L38BSPT	17.0	32	12	28	22	19	60	250	12.1
15	1/2	MRT15L12BSPT	21.0	36	14	34	27	19	70		19.8
18	1/2	MRT18L12BSPT	23.5	40	14	36	32	24	76	160	29.1
6	1/4	MRT06S14BSPT	16.0	31	12	26	17	14	57	630	10.9
8	1/4	MRT08S14BSPT	17.0	32	12	27	19	14	59		14.0
10	3/8	MRT10S38BSPT	17.5	34	12	28	22	19	62	630	19.0
12	3/8	MRT12S38BSPT	21.5	38	12	28	24	22	66		24.5
14	1/2	MRT14S12BSPT	22.0	40	14	32	27	19	72	400	24.4
16	1/2	MRT16S12BSPT	24.5	43	14	32	30	24	75		31.0

Male Run Tee BSPP



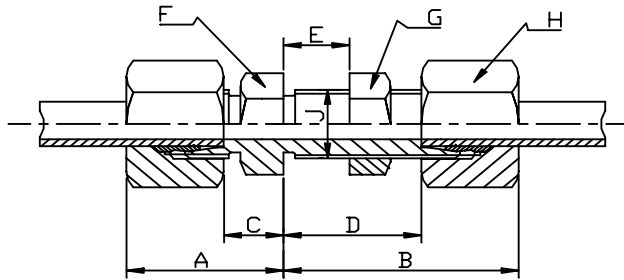
TUBE	A BSPP	PART No	B	C	D	E	F	G	H	J	PN BAR	Kg 100
22	3/4	MRT22L34BSPP	27.5	44	16	26	36	27	70	32	160	35.4
28	1	MRT28L1BSPP	30.5	47	18	30	41	36	77	39	100	51.0
35	1-1/4	MRT35L114BSPP	34.5	56	20	34	50	41	90	49	100	81.6
42	1-1/2	MRT42L112BSPP	40.0	63	22	39	60	50	102	55	100	136.5
20	3/4	MRT20S34BSPP	26.5	48	16	26	36	27	74	32	400	46.0
25	1	MRT25S1BSPP	30.0	54	18	30	46	36	84	39	400	88.0
30	1-1/4	MRT30S114BSPP	35.5	62	20	34	50	41	96	49	250	118.5
38	1-1/2	MRT38S112BSPP	41.0	72	22	39	60	50	111	55	250	171.0

Male Run Tee NPT



TUBE	A NPT	PART No	B	C	D	E	F	G	H	PN BAR	Kg 100
4	1/8	MRT04LL18NPT	11.0	21	8	17	10	11	38	100	2.6
6	1/8	MRT06LL18NPT	9.5	21	8	17	12	11	38	100	3.4
8	1/8	MRT08LL18NPT	11.5	23	8	20	14	12	43	100	3.7
6	1/8	MRT06L18NPT	12.0	27	8	20	14	12	47	250	5.1
8	1/4	MRT08L14NPT	14.0	29	12	26	17	12	55	250	6.9
10	1/4	MRT10L14NPT	15.0	30	12	27	19	17	57	250	9.2
12	3/8	MRT12L38NPT	17.0	32	12	28	22	19	60	250	12.1
15	1/2	MRT15L12NPT	21.0	36	14	34	27	19	70	250	19.8
18	1/2	MRT18L12NPT	23.5	40	14	36	32	24	76	160	29.1
6	1/4	MRT06S14NPT	16.0	31	12	26	17	14	57	630	10.9
8	1/4	MRT08S14NPT	17.0	32	12	27	19	14	59	630	14.0
10	3/8	MRT10S38NPT	17.5	34	12	28	22	19	62	630	19.0
12	3/8	MRT12S38NPT	21.5	38	12	28	24	22	66	630	24.5
14	1/2	MRT14S12NPT	22.0	40	14	32	27	19	72	630	24.4
16	1/2	MRT16S12NPT	24.5	43	14	32	30	24	75	400	31.0

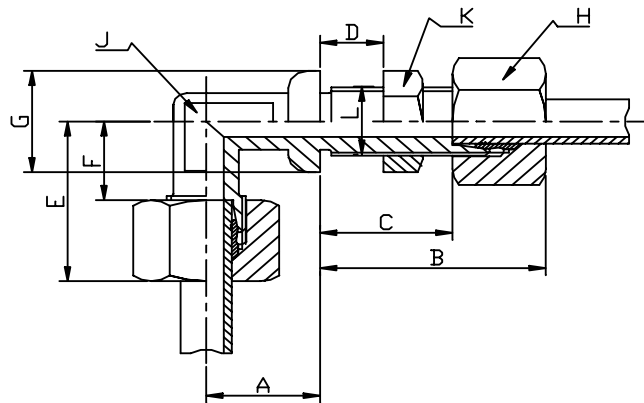
Straight Bulkhead



TUBE	PART No	A	B	C	D	F	G	H	J	PN BAR	Kg 100
6	BH06L	22	42	7.0	27.0	17	17	14	M12 X 1.5	250	6.2
8	BH08L	23	42	8.0	27.0	19	19	17	M14 X 1.5		8.3
10	BH10L	25	43	10.0	28.0	22	22	19	M16 X 1.5		10.8
12	BH12L	25	44	10.0	29.0	24	24	22	M18 X 1.5		13.5
15	BH15L	27	46	12.0	31.0	27	30	27	M22 X 1.5	160	21.9
18	BH18L	30	49	13.5	32.5	32	36	32	M26 X 1.5		33.5
22	BH22L	33	51	16.5	34.5	36	41	36	M30 X 2	100	44.4
28	BH28L	35	52	18.5	35.5	41	46	41	M36 X 2		54.9
35	BH35L	40	58	18.5	36.5	50	55	50	M45 X 2		87.4
42	BH42L	42	59	19.0	36.0	60	65	60	M52 X 2	127.6	
6	BH06S	27	44	12.0	29.0	19	19	17	M14 X 1.5	630	10.1
8	BH08S	28	44	13.0	29.0	22	22	19	M16 X 1.5		13.2
10	BH10S	31	46	14.5	29.5	24	24	22	M18 X 1.5		17.6
12	BH12S	31	47	14.5	30.5	27	27	24	M20 X 1.5		21.5
14	BH14S	35	50	17.0	32.0	30	30	27	M22 X 1.5	400	28.4
16	BH16S	35	50	16.5	31.5	32	32	30	M24 X 1.5		33.8
20	BH20S	39	55	17.5	33.5	41	41	36	M30 X 2	250	57.3
25	BH25S	44	59	20.0	35.0	46	46	46	M36 X 2		94.9
30	BH30S	48	64	21.5	37.5	50	50	50	M42 X 2		112.0
38	BH38S	53	68	22.0	37.0	65	65	60	M52 X 2	179.3	

E = 16MM MAXIMUM WALL THICKNESS

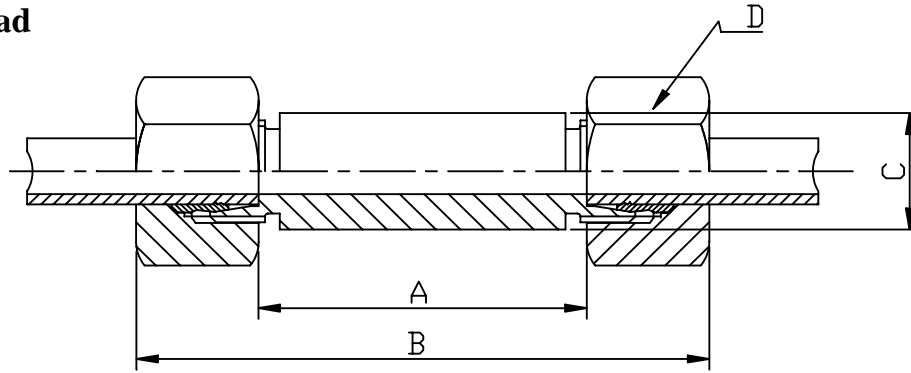
Elbow Bulkhead



TUBE	PART No	A	B	C	E	F	G	H	J	K	L	PN BAR	Kg 100
6	BHE06L	14	42	27.0	27	12.0	17	14	12	17	M12 X 1.5	250	7.3
8	BHE08L	17	42	27.0	29	14.0	19	17	12	19	M14 X 1.5		9.6
10	BHE10L	18	43	28.0	30	15.0	22	19	14	22	M16 X 1.5		12.2
12	BHE12L	20	44	29.0	32	17.0	24	22	17	24	M18 X 1.5		15.2
15	BHE15L	23	46	31.0	36	21.0	27	27	19	30	M22 X 1.5	160	25.5
18	BHE18L	24	49	32.5	40	23.5	32	32	24	36	M26 X 1.5		37.5
22	BHE22L	30	51	34.5	44	27.5	36	36	27	41	M30 X 2	100	50.3
28	BHE28L	34	52	35.5	47	30.5	42	41	36	46	M36 X 2		67.8
35	BHE35L	39	58	36.5	56	34.5	50	50	41	55	M45 X 2		102.8
42	BHE42L	43	59	36.0	63	40.0	60	60	50	65	M52 X 2	158.3	
6	BHE06S	17	44	29.0	31	16.0	19	17	12	19	M14 X 1.5	630	10.5
8	BHE08S	18	44	29.0	32	17.0	22	19	14	22	M16 X 1.5		14.3
10	BHE10S	20	46	29.5	34	17.5	24	22	17	24	M18 X 1.5		19.3
12	BHE12S	21	47	30.5	38	21.5	27	24	17	27	M20 X 1.5		23.9
14	BHE14S	23	50	32.0	40	22.0	27	27	19	30	M22 X 1.5	400	30.5
16	BHE16S	24	50	31.5	43	24.5	30	30	24	32	M24 X 1.5		38.6
20	BHE20S	30	55	33.5	48	26.5	36	36	27	41	M30 X 2	250	61.6
25	BHE25S	34	59	35.0	54	30.0	42	46	36	46	M36 X 2		104.4
30	BHE30S	39	64	37.5	62	35.5	50	50	41	50	M42 X 2		130.0
38	BHE38S	43	68	37.0	72	41.0	60	60	50	65	M52 X 2	204.7	

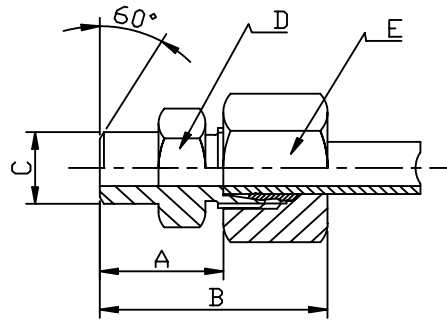
D = 16MM MAXIMUM WALL THICKNESS

Welding Bulkhead



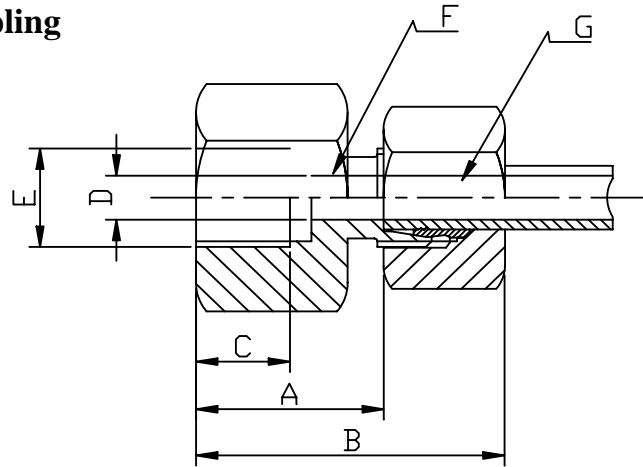
TUBE	PART No	A	B	C	D	PN BAR	Kg 100
6	WBH06L	56	85	18	14	250	12.6
8	WBH08L	56	85	20	17		15.5
10	WBH10L	58	87	22	19		18.5
12	WBH12L	58	87	25	22		23.5
15	WBH15L	70	100	28	27		35.5
18	WBH18L	69	101	32	32	160	47.0
22	WBH22L	73	105	36	36		59.0
28	WBH28L	73	106	40	41	100	66.0
35	WBH35L	71	114	50	50		104.5
42	WBH42L	70	115	60	60		153.0
6	WBH06S	60	89	20	17	630	16.9
8	WBH08S	60	89	22	19		21.0
10	WBH10S	59	91	25	22		27.0
12	WBH12S	59	91	28	24		33.1
14	WBH14S	72	107	30	27		45.5
16	WBH16S	71	107	35	30	400	59.5
20	WBH20S	71	114	38	36		74.5
25	WBH25S	72	120	45	46		116.5
30	WBH30S	73	126	50	50	250	138.5
38	WBH38S	72	133	60	60		195.0

Welding Coupling



TUBE	PART No	A	B	C	D	E	PN BAR	Kg 100
6	WC06L	14.0	29	10	12	14	250	2.2
8	WC08L	16.0	31	12	14	17		3.2
10	WC10L	18.0	33	14	17	19		4.2
12	WC12L	18.0	33	16	19	22		5.4
15	WC15L	22.0	37	19	22	27		8.9
18	WC18L	23.5	40	22	27	32	160	13.3
22	WC22L	28.5	45	27	32	36		19.0
28	WC28L	30.5	47	32	41	41	100	26.6
35	WC35L	32.5	54	40	46	50		39.9
42	WC42L	35.0	58	46	55	60		59.5
6	WC06S	19.0	34	11	14	17	630	3.8
8	WC08S	21.0	36	13	17	19		5.3
10	WC10S	22.5	39	15	19	22		7.3
12	WC12S	24.5	41	17	22	24		9.3
14	WC14S	27.0	45	19	24	27		12.5
16	WC16S	26.5	45	21	27	30	400	15.1
20	WC20S	29.5	51	26	32	36		24.4
25	WC25S	32.0	56	31	41	46		44.5
30	WC30S	35.5	62	36	46	50	250	54.8
38	WC38S	38.0	69	44	55	60		80.7

Female Stud Coupling



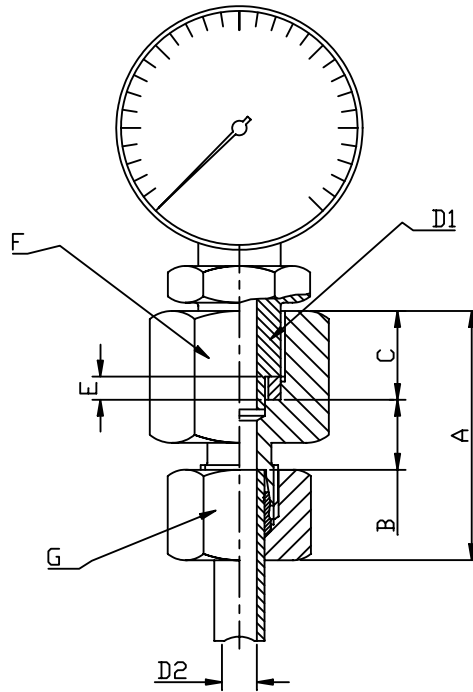
BSPP

TUBE	E BSPP	PART No	A	B	C	D	F	G	PN BAR	Kg 100
6	1/8	FSC06L18BSPP	19.0	34	12.0	4	14	14	250	2.6
6	1/4	FSC06L14BSPP	24.0	39	17.0	4	19	14		4.0
8	1/4	FSC08L14BSPP	24.0	39	17.0	6	19	17		5.5
10	1/4	FSC10L14BSPP	25.0	40	17.0	8	19	19		6.0
12	3/8	FSC12L38BSPP	26.0	41	17.0	10	24	22		9.2
12	1/2	FSC12L12BSPP	31.0	46	20.0	10	27	22		11.2
15	3/8	FSC15L38BSPP	27.0	42	17.0	11	24	27		11.0
15	1/2	FSC15L12BSPP	31.0	46	20.0	12	27	27		13.2
18	1/2	FSC18L12BSPP	30.5	47	20.0	15	27	32		15.7
22	3/4	FSC22L34BSPP	35.5	52	22.0	19	36	36		27.0
28	1	FSC28L1BSPP	38.0	55	24.5	24	41	41		31.1
35	1-1/4	FSC35L114BSPP	41.0	63	26.5	30	55	50		42.0
42	1-1/2	FSC42L112BSPP	42.5	65	28.5	36	60	60		60.5
6	1/4	FSC06S14BSPP	26.0	41	17.0	4	19	17		630
8	1/4	FSC08S14BSPP	26.0	41	17.0	5	19	19	5.9	
10	3/8	FSC10S38BSPP	26.5	43	17.0	7	24	22	10.2	
12	3/8	FSC12S38BSPP	26.5	43	17.0	8	24	24	9.8	
14	1/2	FSC14S12BSPP	32.0	50	20.0	10	27	27	14.8	
16	1/2	FSC16S12BSPP	31.5	50	20.0	12	27	30	19.5	
20	3/4	FSC20S34BSPP	34.5	56	22.0	16	36	36	400	30.7
25	1	FSC25S1BSPP	37.5	62	24.5	20	41	46		46.6
30	1-1/4	FSC30S114BSPP	42.0	69	26.5	25	55	50	250	74.1
38	1-1/2	FSC38S112BSPP	43.5	74	28.5	32	60	60		85.5

NPT

TUBE	E NPT	PART No	A	B	C	D	F	G	PN BAR	Kg 100
6	1/8	FSC06L18NPT	19.0	34	12.0	4	14	14	250	2.6
6	1/4	FSC06L14NPT	24.0	39	17.0	4	19	14		4.0
8	1/4	FSC08L14NPT	24.0	39	17.0	6	19	17		5.5
10	1/4	FSC10L14NPT	25.0	40	17.0	8	19	19		6.0
12	3/8	FSC12L38NPT	26.0	41	17.0	10	24	22		9.2
12	1/2	FSC12L12NPT	31.0	46	20.0	10	27	22		11.2
15	3/8	FSC15L38NPT	27.0	42	17.0	11	24	27		11.0
15	1/2	FSC15L12NPT	31.0	46	20.0	12	27	27		13.2
18	1/2	FSC18L12NPT	30.5	47	20.0	15	27	32		15.7
22	3/4	FSC22L34NPT	35.5	52	22.0	19	36	36		27.0
28	1	FSC28L1NPT	38.0	55	24.5	24	41	41		31.1
35	1-1/4	FSC35L114NPT	41.0	63	26.5	30	55	50		42.0
42	1-1/2	FSC42L112NPT	42.5	65	28.5	36	60	60		60.5
6	1/4	FSC06S14NPT	26.0	41	17.0	4	19	17		630
8	1/4	FSC08S14NPT	26.0	41	17.0	5	19	19	5.9	
10	3/8	FSC10S38NPT	26.5	43	17.0	7	24	22	10.2	
12	3/8	FSC12S38NPT	26.5	43	17.0	8	24	24	9.8	
14	1/2	FSC14S12NPT	32.0	50	20.0	10	27	27	14.8	
16	1/2	FSC16S12NPT	31.5	50	20.0	12	27	30	19.5	
20	3/4	FSC20S34NPT	34.5	56	22.0	16	36	36	400	30.7
25	1	FSC25S1NPT	37.5	62	24.5	20	41	46		46.6
30	1-1/4	FSC30S114NPT	42.0	69	26.5	25	55	50	250	74.1
38	1-1/2	FSC38S112NPT	43.5	74	28.5	32	60	60		85.5

Female Pressure Gauge Coupling



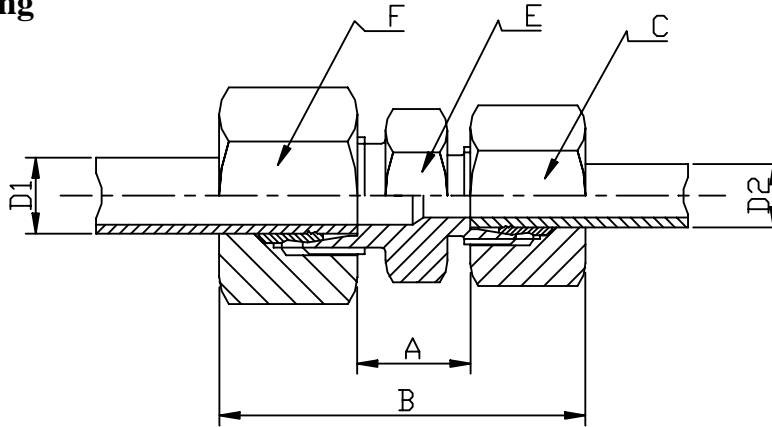
BSPP

TUBE	D1	PART No	A	B	C	D2	E	F	G	PN BAR	Kg 100
6	1/4	PGC06L14BSPP	37	7.5	14.5	2.5	4.5	19	14	250	4.7
8	1/4	PGC08L14BSPP	37	7.5	14.5	5.5	4.5	19	17		5.4
10	1/4	PCG10L14BSPP	38	8.5	14.5	5.5	4.5	19	19		6.0
12	1/4	PCG12L14BSPP	38	8.5	14.5	5.5	4.5	19	22		7.0
6	1/2	PCG06S12BSPP	46	11.0	20.0	3.5	5.0	27	17	630	10.7
8	1/2	PGC08S12BSPP	46	11.0	20.0	3.5	5.0	27	19		11.2
10	1/2	PCG10S12BSPP	47	10.5	20.0	7.5	5.0	27	22		12.7
12	1/2	PCG12S12BSPP	47	10.5	20.0	7.5	5.0	27	24		13.2

NPT

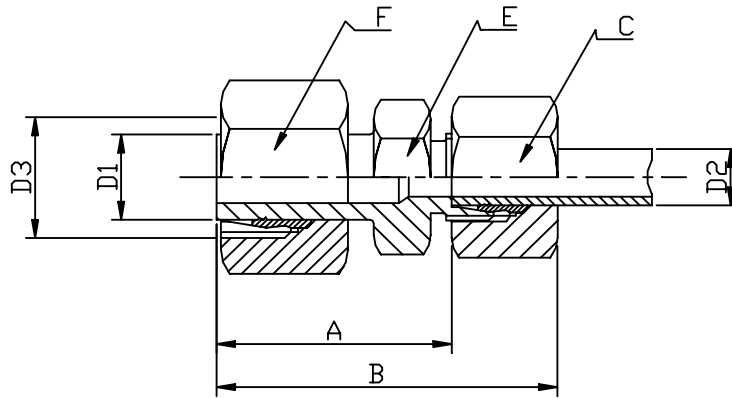
TUBE	D1	PART No	A	B	C	D2	E	F	G	PN BAR	Kg 100
6	1/4	PGC06L14NPT	37	7.5	14.5	2.5	4.5	19	14	250	4.7
8	1/4	PGC08L14NPT	37	7.5	14.5	5.5	4.5	19	17		5.4
10	1/4	PCG10L14NPT	38	8.5	14.5	5.5	4.5	19	19		6.0
12	1/4	PGC12L14NPT	38	8.5	14.5	5.5	4.5	19	22		7.0
6	1/2	PGC06S12NPT	46	11.0	20.0	3.5	5.0	27	17	630	10.7
8	1/2	PGC08S12NPT	46	11.0	20.0	3.5	5.0	27	19		11.2
10	1/2	PGC10S12NPT	47	10.5	20.0	7.5	5.0	27	22		12.7
12	1/2	PGC12S12NPT	47	10.5	20.0	7.5	5.0	27	24		13.2

Reducing Coupling



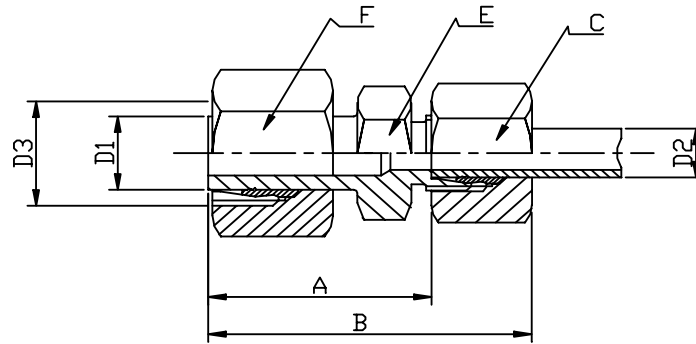
TUBE D1	TUBE D2	PART No	A	B	C	E	F	PN BAR	Kg 100
8	6	RC0806L	11.0	40.0	14	14	17	250	4.3
10	6	RC1006L	12.0	41.0	14	17	19		5.2
10	8	RC1008L	12.0	41.0	17	17	19		5.7
12	6	RC1206L	13.0	42.0	14	19	22		6.5
12	8	RC1208L	13.0	42.0	17	19	22		7.0
12	10	RC1210L	14.0	43.0	19	19	22		7.5
15	6	RC1506L	14.0	43.5	14	24	27		9.0
15	8	RC1508L	14.0	43.5	17	24	27		9.5
15	10	RC1510L	15.0	44.5	19	24	27		10.7
15	12	RC1512L	15.0	44.5	22	24	27		11.4
18	8	RC1808L	14.5	45.0	17	27	32		12.5
18	10	RC1810L	15.5	46.0	19	27	32		14.3
18	12	RC1812L	15.5	46.0	22	27	32		15.0
18	15	RC1815L	16.5	47.5	27	27	32		17.2
22	12	RC2212L	17.5	48.0	22	32	36		19.3
22	15	RC2215L	18.5	49.0	27	32	36		21.8
22	18	RC2218L	18.0	51.0	32	32	36		23.8
28	10	RC2810L	18.5	49.5	19	41	41		25.0
28	15	RC2815L	19.5	51.0	27	41	41	28.0	
28	18	RC2818L	19.0	52.0	32	41	41	30.6	
28	22	RC2822L	21.0	54.0	36	41	41	32.6	
35	28	RC3528L	21.0	59.0	41	46	50	46.1	
42	28	RC4228L	22.5	61.5	41	55	60	72.0	
42	35	RC4235L	21.5	66.5	50	55	60	75.0	
8	6	RC0806S	18.0	47.0	17	17	19	630	7.4
10	6	RC1006S	17.5	48.0	17	19	22		9.1
10	8	RC1008S	17.5	48.0	19	19	22		9.5
12	6	RC1206S	19.5	50.0	17	22	24		11.1
12	8	RC1208S	19.5	50.0	19	22	24		11.5
12	10	RC1210S	19.0	51.0	22	22	24		12.7
14	10	RC1410S	20.5	54.0	24	24	27	15.6	
14	12	RC1412S	20.5	54.0	24	24	27	16.2	
16	10	RC1610S	20.0	54.5	22	27	30	17.0	
16	12	RC1612S	20.0	54.0	24	27	30	18.8	
16	14	RC1614S	21.5	57.0	27	27	30	21.2	
20	10	RC2010S	22.0	59.5	22	32	36	400	27.1
20	12	RC2012S	22.0	59.5	24	32	36		27.7
20	14	RC2014S	23.5	62.5	27	32	36		30.0
20	16	RC2016S	23.0	62.5	30	32	36		31.3
25	16	RC2516S	22.5	64.5	30	41	46		51.2
25	20	RC2520S	25.5	71.0	36	41	46		56.4
30	20	RC3020S	26.0	74.0	36	46	50	250	65.1
30	25	RC3025S	26.5	77.0	46	46	50		77.8
38	30	RC3830S	29.5	87.0	50	55	60		110.3

Standpipe Reducing Adaptor LIGHT SERIES



TUBE D1	TUBE D2	PART No	A	B	C	D3	E	F	PN BAR	Kg 100	
8	6	SRA0806L	23.5	38	14	M14 X 1.5	12	17	250	3.8	
10	6	SRA1006L	23.5	38	14	M16 X 1.5	14	19		4.5	
10	8	SRA1008L	23.5	38	17	M16 X 1.5	14	19		5.1	
12	6	SRA1206L	23.5	38	14	M18 X 1.5	14	22		5.7	
12	8	SRA1208L	23.5	38	17	M18 X 1.5	14	22		6.1	
12	10	SRA1210L	24.5	38	19	M18 X 1.5	17	22		6.6	
15	6	SRA1506L	23.5	38	14	M22 X 1.5	17	27		7.9	
15	8	SRA1508L	23.5	38	17	M22 X 1.5	17	27		8.4	
15	10	SRA1510L	24.5	39	19	M22 X 1.5	17	27		9.0	
15	12	SRA1512L	24.5	39	22	M22 X 1.5	19	27		9.7	
18	6	SRA1806L	24.5	39	14	M26 X 1.5	19	32		160	10.8
18	8	SRA1808L	24.5	39	17	M26 X 1.5	19	32			11.7
18	10	SRA1810L	25.5	40	19	M26 X 1.5	19	32	12.2		
18	12	SRA1812L	25.5	40	22	M26 X 1.5	19	32	12.9		
18	15	SRA1815L	26.5	42	27	M26 X 1.5	24	32	15.0		
22	6	SRA2206L	25.5	40	14	M30 X 2	24	36	15.2		
22	8	SRA2208L	25.0	40	17	M30 X 2	24	36	15.7		
22	10	SRA2210L	26.5	41	19	M30 X 2	24	36	15.9		
22	12	SRA2212L	26.5	41	22	M30 X 2	24	36	16.7		
22	15	SRA2215L	27.5	43	27	M30 X 2	24	36	19.2		
22	18	SRA2218L	27.0	43	32	M30 X 2	27	36	21.5		
28	6	SRA2806L	26.5	41	14	M36 X 2	30	41	100		18.5
28	8	SRA2808L	26.5	41	17	M36 X 2	30	41		19.8	
28	10	SRA2810L	27.5	42	19	M36 X 2	30	41		20.4	
28	12	SRA2812L	27.5	42	22	M36 X 2	30	41		21.1	
28	15	SRA2815L	28.5	44	27	M36 X 2	30	41		23.4	
28	18	SRA2818L	28.0	44	32	M36 X 2	30	41		25.7	
28	22	SRA2822L	30.0	46	36	M36 X 2	32	41		28.8	
35	6	SRA3506L	31.5	46	14	M45 X 2	36	50		29.0	
35	8	SRA3508L	31.5	46	17	M45 X 2	36	50		30.5	
35	10	SRA3510L	32.5	47	19	M45 X 2	36	50		32.5	
35	12	SRA3512L	32.5	47	22	M45 X 2	36	50		34.5	
35	15	SRA3515L	33.5	49	27	M45 X 2	36	50		36.8	
35	18	SRA3518L	33.0	49	32	M45 X 2	36	50	39.2		
35	22	SRA3522L	35.0	51	36	M45 X 2	36	50	41.5		
35	28	SRA3528L	35.0	52	41	M45 X 2	41	50	41.6		
42	10	SRA4210L	33.5	48	19	M52 X 2	46	60	49.0		
42	12	SRA4212L	33.5	48	22	M52 X 2	46	60	50.0		
42	15	SRA4215L	34.5	50	27	M52 X 2	46	60	51.0		
42	18	SRA4218L	34.0	50	32	M52 X 2	46	60	53.1		
42	22	SRA4222L	36.0	52	36	M52 X 2	46	60	53.9		
42	28	SRA4228L	36.0	53	41	M52 X 2	46	60	56.9		
42	35	SRA4235L	35.0	57	50	M52 X 2	46	60	63.0		

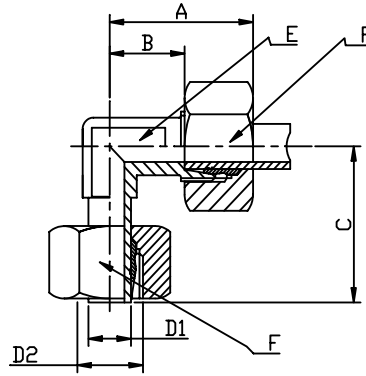
Standpipe Reducing Adaptor HEAVY SERIES



TUBE D1	TUBE D2	PART No	A	B	C	D3	E	F	PN BAR	Kg 100
8	6	SRA0806S	25.0	40	17	M16 X 1.5	14	19	630	5.4
10	6	SRA1006S	26.0	41	17	M18 X 1.5	14	22		6.9
10	8	SRA1008S	26.0	41	19	M18 X 1.5	17	22		7.5
12	6	SRA1206S	27.0	42	17	M20 X 1.5	14	24		7.8
12	8	SRA1208S	27.0	42	19	M20 X 1.5	17	24		8.4
12	10	SRA1210S	26.5	43	22	M20 X 1.5	19	24		9.6
14	6	SRA1406S	29.0	44	17	M22 X 1.5	17	27		10.3
14	8	SRA1408S	29.0	44	19	M22 X 1.5	17	27		10.8
14	10	SRA1410S	28.5	45	22	M22 X 1.5	19	27		12.0
14	12	SRA1412S	28.5	45	24	M22 X 1.5	22	27		12.7
16	6	SRA1606S	29.0	44	17	M24 X 1.5	17	30		12.3
16	8	SRA1608S	29.0	44	19	M24 X 1.5	17	30		12.8
16	10	SRA1610S	28.5	45	22	M24 X 1.5	19	30		14.4
16	12	SRA1612S	28.5	45	24	M24 X 1.5	22	30		15.1
16	14	SRA1614S	30.0	48	27	M24 X 1.5	24	30	16.9	
20	6	SRA2006S	34.0	49	17	M30 X 2	22	36	18.7	
20	8	SRA2008S	34.0	49	19	M30 X 2	22	36	20.0	
20	10	SRA2010S	33.5	50	22	M30 X 2	22	36	21.0	
20	12	SRA2012S	33.5	50	24	M30 X 2	22	36	21.7	
20	14	SRA2014S	35.0	53	27	M30 X 2	24	36	23.4	
20	16	SRA2016S	34.5	53	30	M30 X 2	27	36	25.2	
25	6	SRA2506S	37.0	52	17	M36 X 2	27	46	34.5	
25	8	SRA2508S	37.0	52	19	M36 X 2	27	46	31.9	
25	10	SRA2510S	36.5	53	22	M36 X 2	27	46	35.2	
25	12	SRA2512S	36.5	53	24	M36 X 2	27	46	35.9	
25	14	SRA2514S	37.0	55	27	M36 X 2	27	46	37.1	
25	16	SRA2516S	36.5	55	30	M36 X 2	27	46	38.7	
25	20	SRA2520S	37.5	59	36	M36 X 2	27	46	44.8	
30	6	SRA3006S	39.0	54	17	M42 X 2	32	50	37.8	
30	8	SRA3008S	39.0	54	19	M42 X 2	32	50	40.3	
30	10	SRA3010S	38.5	55	24	M42 X 2	32	50	41.1	
30	12	SRA3012S	38.5	55	24	M42 X 2	32	50	41.1	
30	14	SRA3014S	40.0	58	27	M42 X 2	32	50	42.3	
30	16	SRA3016S	39.5	58	30	M42 X 2	32	50	46.2	
30	20	SRA3020S	39.5	61	36	M42 X 2	32	50	50.5	
30	25	SRA3025S	40.0	64	46	M42 X 2	32	50	63.2	
38	6	SRA3806S	43.0	58	17	M52 X 2	41	60	55.5	
38	8	SRA3808S	43.0	58	19	M52 X 2	41	60	55.7	
38	10	SRA3810S	42.5	59	22	M52 X 2	41	60	61.5	
38	12	SRA3812S	42.5	59	24	M52 X 2	41	60	58.8	
38	14	SRA3814S	44.0	62	27	M52 X 2	41	60	60.0	
38	16	SRA3816S	43.5	62	30	M52 X 2	41	60	62.3	
38	20	SRA3820S	43.5	65	36	M52 X 2	41	60	71.9	
38	25	SRA3825S	44.0	68	46	M52 X 2	41	60	82.5	
38	30	SRA3830S	44.5	71	50	M52 X 2	46	60	85.9	

Adjustable Standpipe Elbow

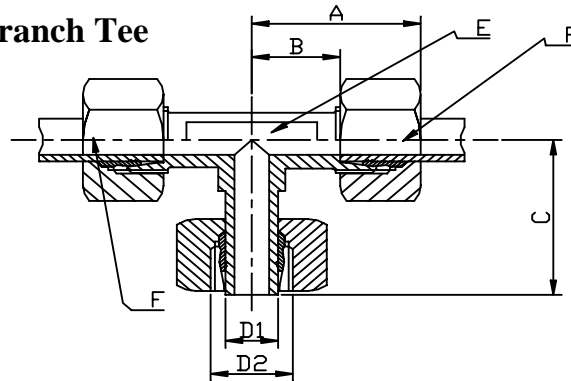
Pre-installed



TUBE	PART No	A	B	C	D1	D2	E	F	PN BAR	Kg 100
6	ASE06L	27	12.0	26.0	6	M12 X 1.5	12	14	250	4.3
8	ASE08L	29	14.0	27.5	8	M14 X 1.5	12	17		5.4
10	ASE10L	30	15.0	29.0	10	M16 X 1.5	14	19		6.8
12	ASE12L	32	17.0	30.5	12	M18 X 1.5	17	22		9.1
15	ASE15L	36	21.0	32.5	15	M22 X 1.5	19	27	15.6	
18	ASE18L	40	23.5	36.0	18	M26 X 1.5	24	32	23.4	
22	ASE22L	44	27.5	39.0	22	M30 X 2	27	36	31.2	
28	ASE28L	47	30.5	41.5	28	M36 X 2	36	41	44.7	
35	ASE35L	56	34.5	51.0	35	M45 X 2	41	50	70.6	
42	ASE42L	63	40.0	56.0	42	M52 X 2	50	60	107.1	
6	ASE06S	31	16.0	27.0	6	M14 X 1.5	12	17	630	6.2
8	ASE08S	32	17.0	27.5	8	M16 X 1.5	14	19		8.0
10	ASE10S	34	17.5	30.0	10	M18 X 1.5	17	22		11.1
12	ASE12S	38	21.0	31.0	12	M20 X 1.5	17	24		13.9
14	ASE14S	40	22.0	36.0	14	M22 X 1.5	19	27	18.9	
16	ASE16S	43	24.5	36.5	16	M24 X 1.5	24	30	24.8	
20	ASE20S	48	26.5	44.5	20	M30 X 2	27	36	40.2	
25	ASE25S	54	30.0	50.0	25	M36 X 2	36	46	78.4	
30	ASE30S	62	35.5	55.0	30	M42 X 2	41	50	97.5	
38	ASE38S	72	41.0	67.5	38	M52 X 2	50	60	138.4	

Adjustable Standpipe Branch Tee

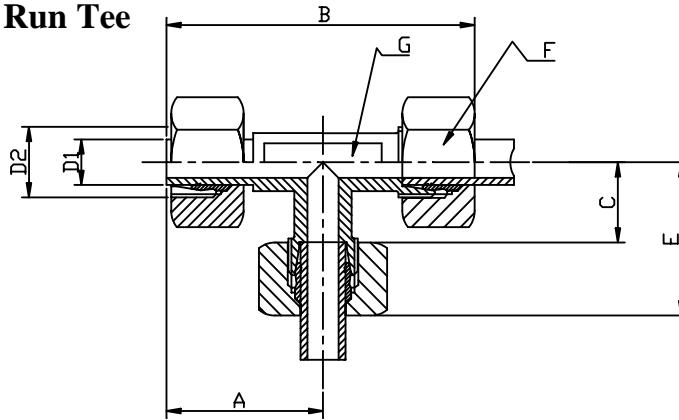
Pre-installed



TUBE	PART No	A	B	C	D1	D2	E	F	PN BAR	Kg 100
6	ASBT06L	27	12.0	26.0	6	M12 X 1.5	12	14	250	5.7
8	ASBT08L	29	14.0	27.5	8	M14 X 1.5	12	17		7.9
10	ASBT10L	30	15.0	29.0	10	M16 X 1.5	14	19		10.0
12	ASBT12L	32	17.0	29.5	12	M18 X 1.5	17	22		13.2
15	ASBT15L	36	21.0	32.0	15	M22 X 1.5	19	27	21.9	
18	ASBT18L	40	23.5	36.0	18	M26 X 1.5	24	32	35.6	
22	ASBT22L	44	27.5	38.0	22	M30 X 2	27	36	46.4	
28	ASBT28L	47	30.5	41.5	28	M36 X 2	36	41	59.2	
35	ASBT35L	56	34.5	51.0	35	M45 X 2	41	50	90.1	
42	ASBT42L	63	40.0	56.0	42	M52 X 2	50	60	135.1	
6	ASBT06S	31	16.0	27.0	6	M14 X 1.5	12	17	630	9.2
8	ASBT08S	32	17.0	27.5	8	M16 X 1.5	14	19		11.7
10	ASBT10S	34	17.5	30.0	10	M18 X 1.5	17	22		16.2
12	ASBT12S	38	21.5	31.0	12	M20 X 1.5	17	24		21.4
14	ASBT14S	40	22.0	35.0	14	M22 X 1.5	19	27	29.0	
16	ASBT16S	43	24.5	37.0	16	M24 X 1.5	24	30	35.0	
20	ASBT20S	48	26.5	44.5	20	M30 X 2	27	36	57.2	
25	ASBT25S	54	30.0	50.5	25	M36 X 2	36	46	115.7	
30	ASBT30S	62	35.5	55.0	30	M42 X 2	41	50	136.6	
38	ASBT38S	72	41.0	63.0	38	M52 X 2	50	60	204.7	

Adjustable Standpipe Run Tee

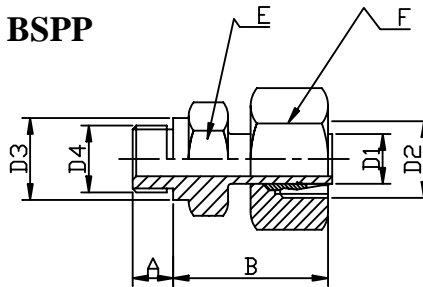
Pre-installed



TUBE	PART No	A	B	C	D1	D2	E	F	G	PN BAR	Kg 100
6	ASRT06L	26.0	53	12.0	6	M12 X 1.5	27	14	12	250	6.3
8	ASRT08L	27.5	56	14.0	8	M14 X 1.5	29	17	12		8.1
10	ASRT10L	29.0	59	15.0	10	M16 X 1.5	30	19	14		10.1
12	ASRT12L	30.0	62	17.0	12	M18 X 1.5	32	22	17		13.1
15	ASRT15L	33.0	70	21.0	15	M22 X 1.5	36	27	19	22.4	
18	ASRT18L	36.0	76	23.5	18	M26 X 1.5	40	32	24	160	33.1
22	ASRT22L	39.0	83	27.5	22	M30 X 2	44	36	27		47.8
28	ASRT28L	41.5	91	30.5	28	M36 X 2	47	41	36	100	60.4
35	ASRT35L	51.0	111	34.5	35	M45 X 2	56	50	41		89.1
42	ASRT42L	56.0	123	40.0	42	M52 X 2	63	60	50		132.6
6	ASRT06S	27.0	58	16.0	6	M14 X 1.5	31	17	12	630	9.1
8	ASRT08S	27.5	61	17.0	8	M16 X 1.5	32	19	14		11.9
10	ASRT10S	30.0	66	17.5	10	M18 X 1.5	34	22	17		16.6
12	ASRT12S	31.0	71	21.5	12	M20 X 1.5	38	24	17		20.2
14	ASRT14S	35.0	76	22.0	14	M22 X 1.5	40	27	19	27.9	
16	ASRT16S	37.0	80	24.5	16	M24 X 1.5	43	30	24	400	37.1
20	ASRT20S	44.5	93	26.5	20	M30 X 2	48	36	27		56.9
25	ASRT25S	50.5	105	30.0	25	M36 X 2	54	46	36	110.6	
30	ASRT30S	55.0	119	35.5	30	M42 X 2	62	50	41	250	137.3
38	ASRT38S	63.0	139	41.0	38	M52 X 2	72	60	50		195.0

Adjustable Male Standpipe BSPP

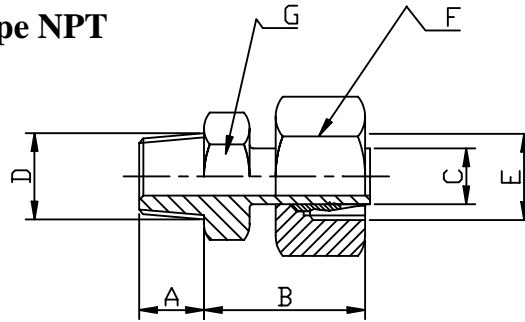
Pre-installed



TUBE	D4 BSPP	PART No	A	B	D1	D2	D3	E	F	PN BAR	Kg 100
6	1/8	AMS06L18BSPP	8	24.5	6	M12 x 1.5	14	14	14	250	2.3
8	1/4	AMS08L14BSPP	12	29.5	8	M14 x 1.5	18	17	17		5.2
10	1/4	AMS10L14BSPP	12	27.5	10	M16 x 1.5	19	19	19		4.8
12	3/8	AMS12L38BSPP	12	34.0	12	M18 x 1.5	22	22	22		8.6
15	1/2	AMS15L12BSPP	14	32.0	15	M22 x 1.5	26	27	27	11.9	
18	1/2	AMS18L12BSPP	14	31.5	18	M26 x 1.5	27	27	32	160	13.3
22	3/4	AMS22L34BSPP	16	32.5	22	M30 x 2	32	32	36		18.7
28	1	AMS28L1BSPP	18	35.0	28	M36 x 2	39	41	41	100	26.6
35	1-1/4	AMS25L114BSPP	20	42.5	35	M45 x 2	49	50	50		44.1
42	1-1/2	AMS42L112BSPP	22	46.5	42	M52 x 2	55	55	60		63.4
6	1/4	AMS06S14BSPP	12	27.0	6	M14 X 1.5	19	19	17	630	4.5
8	1/4	AMS08S14BSPP	12	29.5	8	M16 X 1.5	18	19	19		5.6
10	3/8	AMS10S38BSPP	12	32.0	10	M18 X 1.5	22	22	22		8.4
12	3/8	AMS12S38BSPP	12	34.0	12	M20 X1.5	22	22	24		9.6
12	1/2	AMS12S12BSPP	14	34.5	12	M20 X1.5	26	27	24	14.5	
14	1/2	AMS14S12BSPP	14	36.5	14	M22 X1.5	26	27	27	14.7	
16	1/2	AMS16S12BSPP	14	37.0	16	M24 X1.5	26	27	30	400	15.8
16	3/4	AMS16S34BSPP	16	39.0	16	M24 X1.5	32	32	30		20.0
20	3/4	AMS20S34BSPP	16	43.0	20	M30 X 2	32	32	36	25.6	
25	1	AMS25S1BSPP	18	48.0	25	M36 X 2	39	41	46	49.9	
30	1-1/4	AMS30S114BSPP	20	51.0	30	M42 X 2	49	50	50	250	66.6
38	1-1/2	AMS38S114BSPP	22	60.0	38	M52 X 2	55	55	60		95.7

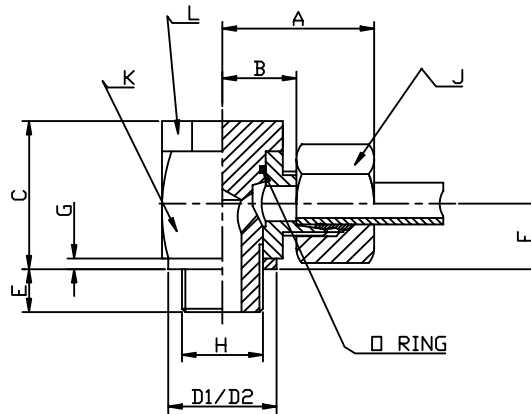
Adjustable Male Standpipe NPT

Pre-installed



TUBE	D NPT	PART No	A	B	C	E	F	G	PN BAR	Kg 100
6	1/8	AMS06L18NPT	9.9	23.0	6	M12 x 1.5	14	14	250	2.3
8	1/4	AMS08L14NPT	15.1	27.5	8	M14 x 1.5	17	17		5.2
10	1/4	AMS10L14NPT	15.1	25.5	10	M16 x 1.5	19	19		4.8
12	3/8	AMS12L38NPT	15.2	32.0	12	M18 x 1.5	22	22		8.6
15	1/2	AMS15L12NPT	19.8	29.0	15	M22 x 1.5	27	27	160	11.9
18	1/2	AMS18L12NPT	19.8	28.5	18	M26 x 1.5	32	27		13.3
22	3/4	AMS22L34NPT	20.1	29.5	22	M30 x 2	36	32	100	18.7
28	1	AMS28L1NPT	25.0	32.0	28	M36 x 2	41	41		26.6
35	1-1/4	AMS35L114NPT	25.6	39.5	35	M45 x 2	50	50	630	44.1
42	1-1/2	AMS42L112NPT	26.0	43.5	42	M52 x 2	60	55		63.4
6	1/4	AMS06S14NPT	10.0	25.0	6	M14 X 1.5	17	19	400	4.5
8	1/4	AMS08S14NPT	15.1	27.5	8	M16 X 1.5	19	19		5.6
10	3/8	AMS10S38NPT	15.2	29.5	10	M18 X 1.5	22	22		8.4
12	3/8	AMS12S38NPT	15.2	31.5	12	M20 X1.5	24	22		9.6
14	1/2	AMS14S12NPT	19.8	33.5	14	M22 X1.5	27	27	250	14.7
16	1/2	AMS16S12NPT	19.8	34.0	16	M24 X1.5	30	27		15.8
20	3/4	AMS20S34NPT	20.1	40.0	20	M30 X 2	36	32	25.6	
25	1	AMS25S1NPT	25.0	45.0	25	M36 X 2	46	41	49.9	
30	1-1/4	AMS30S114NPT	25.6	48.0	30	M42 X 2	50	50	250	66.6
38	1-1/2	AMS38S112NPT	26.0	57.0	38	M52 X 2	60	55		95.7

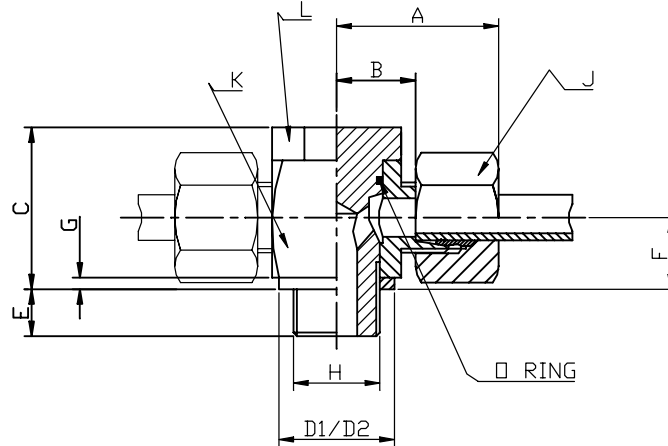
Banjo Elbow BSPP



TUBE	H BSPP	PART No	A	B	C	D1	D2	E	J	K	L	PN BAR	Kg 100
6	1/8	BE06L18BSPP	27	12.0	24	14	17	8	14	17	17	250	5.4
8	1/4	BE08L14BSPP	29	14.5	30	18	22	12	17	22	19		11.9
10	1/4	BE10L14BSPP	30	15.5	30	18	22	12	19	22	19		12.5
12	3/8	BE12L38BSPP	33	18.0	36	22	27	12	22	27	24		21.0
15	1/2	BE15L12BSPP	37	21.5	45	26	32	14	27	32	30	100	36.5
18	1/2	BE18L12BSPP	37	21.0	45	26	32	14	32	32	30		39.0
22	3/4	BE22L34BSPP	44	27.5	53	32	41	16	36	41	36	400	67.7
28	1	BE28L1BSPP	49	32.0	66	39	46	18	41	50	46		113.5
35	1-1/4	BE35L114BSPP	58	36.0	76	49	57	20	50	60	55	250	167.7
42	1-1/2	BE42L112BSPP	63	40.5	87	55	64	22	60	70	60		247.7
6	1/4	BE06S14BSPP	31	16.5	30	18	22	12	17	22	19	400	12.7
8	1/4	BE08S14BSPP	31	16.5	30	18	22	12	19	22	19		13.1
10	3/8	BE10S38BSPP	35	18.5	36	22	27	12	22	27	24		22.2
12	3/8	BE12S38BSPP	35	18.5	36	22	27	12	24	27	24		22.8
14	1/2	BE14S12BSPP	40	22.5	45	26	32	14	27	32	30	250	38.0
16	1/2	BE16S12BSPP	40	22.0	45	26	32	14	30	32	30		39.9
20	3/4	BE20S34BSPP	48	26.5	53	32	41	16	36	41	36	70.3	
25	1	BE25S1BSPP	56	31.5	66	39	46	18	46	50	46	129.2	
30	1-1/4	BE30S114BSPP	64	37.0	76	49	57	20	50	60	55	250	177.7
38	1-1/2	BE38S112BSPP	72	41.5	87	55	64	22	60	70	60		294.8

D1 IS FOR STANDARD METAL SEAL. D2 IS FOR PTFE SEAL. (ADD PTFE TO PART No IF REQUIRED)

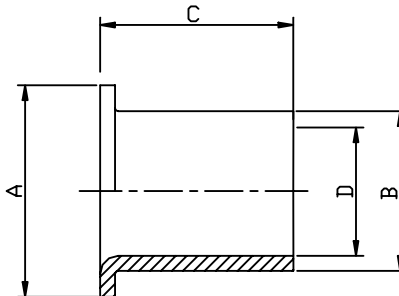
Banjo Tee BSPP



TUBE	H BSPP	PART No	A	B	C	D1	D2	E	F	G	J	K	L	PN BAR	Kg 100
6	1/8	BT06L18BSPP	27	12.0	24	14	17	8	10.5	2.5	14	17	17	250	5.4
8	1/4	BT08L14BSPP	29	14.5	30	18	22	12	14.0	3.0	17	22	19		11.9
10	1/4	BT10L14BSPP	30	15.5	30	18	22	12	14.0	3.0	19	22	19		12.5
12	3/8	BT12L38BSPP	33	18.0	36	22	27	12	16.5	3.0	22	27	24		21.0
15	1/2	BT15L12BSPP	37	21.5	45	26	32	14	21.5	4.5	27	32	30		36.5
18	1/2	BT18L12BSPP	37	21.0	45	26	32	14	21.5	4.5	32	32	30		39.0
22	3/4	BT22L34BSPP	44	27.5	53	32	41	16	24.0	3.5	36	41	36	100	67.7
28	1	BT28L1BSPP	49	32.0	66	39	46	18	30.5	3.5	41	50	46		113.5
35	1-1/4	BT35L114BSPP	58	36.0	76	49	57	20	35.5	3.5	50	60	55		167.7
42	1-1/2	BT42L112BSPP	63	40.5	87	55	64	22	40.5	3.5	60	70	60		247.7
6	1/4	BT06S14BSPP	31	16.5	30	18	22	12	14.0	3.0	17	22	19	400	12.7
8	1/4	BT08S14BSPP	31	16.5	30	18	22	12	14.0	3.0	19	22	19		13.1
10	3/8	BT10S38BSPP	35	18.5	36	22	27	12	16.5	3.0	22	27	24		22.2
12	3/8	BT12S38BSPP	35	18.5	36	22	27	12	16.5	3.0	24	27	24		22.8
14	1/2	BT14S12BSPP	40	22.5	45	26	32	14	21.5	4.5	27	32	30		38.0
16	1/2	BT16S12BSPP	40	22.0	45	26	32	14	21.5	4.5	30	32	30		39.9
20	3/4	BT20S34BSPP	48	26.5	53	32	41	16	24.0	3.5	36	41	36		70.3
25	1	BT25S1BSPP	56	31.5	66	39	46	18	30.5	3.5	46	50	46		129.2
30	1-1/4	BT30S114BSPP	64	37.0	76	49	57	20	35.5	3.5	50	60	55	250	177.7
38	1-1/2	BT38S112BSPP	72	41.5	87	55	64	22	40.5	3.5	60	70	60		294.8

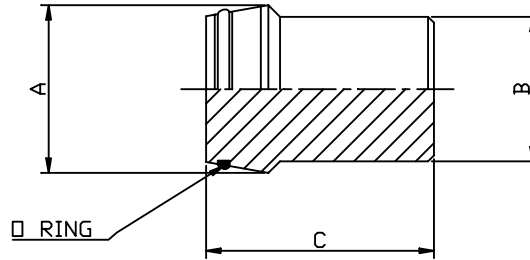
D1 IS FOR STANDARD METAL SEAL. D2 IS FOR PTFE SEAL. (ADD PTFE TO PART No IF REQUIRED)

Nylon tube insert



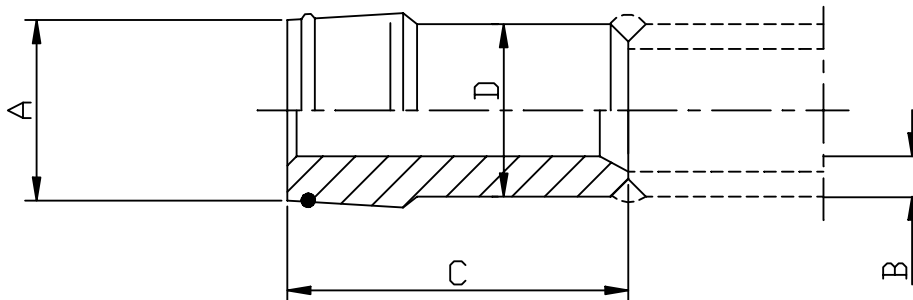
TUBE OD	TUBE ID	PART No	A	B	C	D	Kg 100
4	2.0	NTI0402	3.5	2.0	8.0	1.3	1.0
4	2.5	NTI0425	4.0	2.5	8.0	1.7	1.0
6	3.0	NTI0603	5.0	3.0	14.0	2.2	1.0
6	4.0	NTI0604	5.0	4.0	14.0	3.2	1.0
8	5.5	NTI0855	8.0	5.5	14.0	4.0	1.0
8	6.0	NTI0806	8.0	6.0	15.0	5.0	1.0
10	7.0	NTI1007	9.0	7.0	15.0	6.0	1.0
10	8.0	NTI1008	10.0	8.0	15.0	6.7	1.0
12	9.5	NTI1295	12.0	9.5	15.0	7.7	2.0
12	10.0	NTI1210	12.0	10.0	15.0	8.7	2.0
14	11.0	NTI1411	13.5	11.0	15.0	9.8	2.0
15	12.0	NTI1512	14.8	12.0	15.0	10.7	3.0
16	13.0	NTI1613	14.8	13.0	15.0	11.2	3.0
18	16.0	NTI1816	17.8	16.0	20.0	14.7	4.0
20	16.0	NTI2016	17.8	16.0	20.0	14.7	4.0
22	18.0	NTI2218	21.8	18.0	16.0	16.7	5.0

Plugs with O-ring



TUBE B	PART No	A	C	O-RING	PN BAR	Kg 100
6	P06L	9	17	4 X 1.5	250	0.6
8	P08L	11	17	6 X 1.5		0.9
10	P10L	13	20	7.5 X 1.5		1.5
12	P12L	15	21	9 X 1.5		2.1
15	P15L	18	20	12 X 2.0		3.2
18	P18L	21	21	15 X 2.0	160	4.9
22	P22L	25	23	20 X 2.0		8.0
28	P28L	31	23	26 X 2.0	100	13.1
35	P35L	40	29	32 X 2.5		24.0
42	P42L	47	30	38 X 2.5		34.3
6	P06S	9	17	4 X 1.5	630	0.6
8	P08S	11	17	6 X 1.5		0.9
10	P10S	13	20	7.5 X 1.5		1.5
12	P12S	15	21	9 X 1.5		2.1
14	P14S	17	23	10 X 2.0		3.0
16	P16S	19	24	12 X 2.0	400	4.0
20	P20S	24	28	16.3 X 2.4		7.8
25	P25S	29	31	20.3 X 2.4		12.0
30	P30S	35	34	25.3 X 2.4	250	18.0
38	P38S	43	38	33.3 X 2.4		30.9

Weld Nipples with O-ring



TUBE D	TUBE B	PART No	A	O-RING	C	PN BAR	Kg 100
6	1.5	WN0615	3	4.0 X 1.5	31.0	498	0.5
8	1.5	WN0815	5	6.0 X 1.5	31.0	372	0.5
10	2.0	WN1020	6	7.5 X 1.5	32.5	498	1.5
12	1.5	WN1215	9	9.0 X 1.5	32.5	330	1.5
12	2.0	WN1220	8	9.0 X 1.5	32.5	426	1.9
14	2.0	WN1420	10	10.0 X 2.0	40.0	372	2.2
15	2.0	WN1520	11	12.0 X 2.0	36.0	350	2.7
16	2.0	WN1620	12	12.0 X 2.0	38.5	330	3.1
16	3.0	WN1630	10	12.0 X 2.0	38.5	472	4.1
18	2.5	WN1825	13	15.0 X 2.0	37.0	363	5.0
20	2.0	WN2020	16	16.3 X 2.4	44.5	270	5.4
20	3.0	WN2030	14	16.3 X 2.4	44.5	389	6.2
22	2.5	WN2225	17	20.0 X 2.0	38.5	303	7.8
25	3.0	WN2530	19	20.3 X 2.4	49.5	318	8.9
25	4.0	WN2540	17	20.3 X 2.4	49.5	411	11.1
28	3.0	WN2830	22	26.0 X 2.0	41.5	287	12.5
30	4.0	WN3040	22	25.3 X 2.4	52.0	350	14.0
30	5.0	WN3050	20	25.3 X 2.4	52.0	426	16.6
35	4.0	WN3540	27	32.0 X 2.5	47.0	305	17.1
38	4.0	WN3840	30	33.3 X 2.4	56.5	283	19.5
38	5.0	WN3850	28	33.3 X 2.4	56.5	346	23.6
42	3.0	WN4230	36	38 X 2.5	47.0	17	27.0