

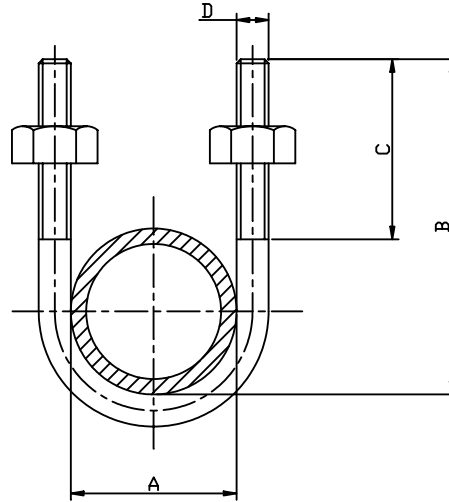
TUBE & PIPE CLAMPS & BOLTS**PRODUCT INFORMATION**

- * 316 or 304 stainless steel
- * Sizes 1/8" to 6" (DN15 to DN150)
- * Larger sizes available
- * Dimensions in mm
- * Descaled finish as standard
- * Polished finishes available
- * Other grades available
- * Weights in Kg/100 or Kg/m

INDEX

DESCRIPTION	PAGE	DESCRIPTION	PAGE
U-bolt	11.2	Saddle clip (tube)	11.4
Hexagon nut (for u-bolt)	11.2	P-clip (half saddle)	11.4
Pipe ring with boss	11.3	Saddle clip (pipe)	11.5
Back plate with boss	11.3	Worm drive hose clip	11.6
Threaded rod/ all thread	11.3		

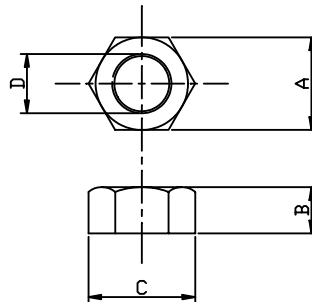
U-Bolt with 2 hex. nuts



PIPE SIZE	PART No	A	B	C	D	Kg/100
1/8	UB0.125	10.29	31	20	6	0.8
1/4	UB0.25	13.72	35	22	6	0.9
3/8	UB0.375	17.15	40	22	6	2.3
1/2	UB0.5	21.34	47	25	6	2.7
3/4	UB0.75	26.67	52	25	6	3.0
1	UB1.0	33.40	59	25	6	3.4
1-1/4	UB1.25	42.16	73	30	10	12.2
1-1/2	UB1.5	48.26	79	30	10	13.1
2	UB2.0	60.33	91	30	10	15.1
2-1/2	UB2.5	73.03	106	30	10	17.6
3	UB3.0	88.90	124	35	12	29.8
4	UB4.0	114.30	149	35	12	35.7
5	UB5.0	141.30	175	35	12	42.0
6	UB6.0	168.28	203	35	12	48.7

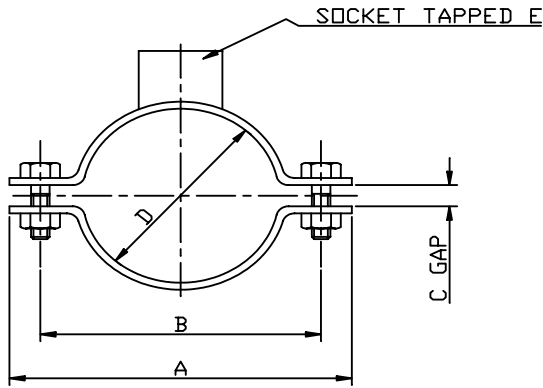
Larger sizes available, please ask. Grade 316SS.

Hexagon Nut



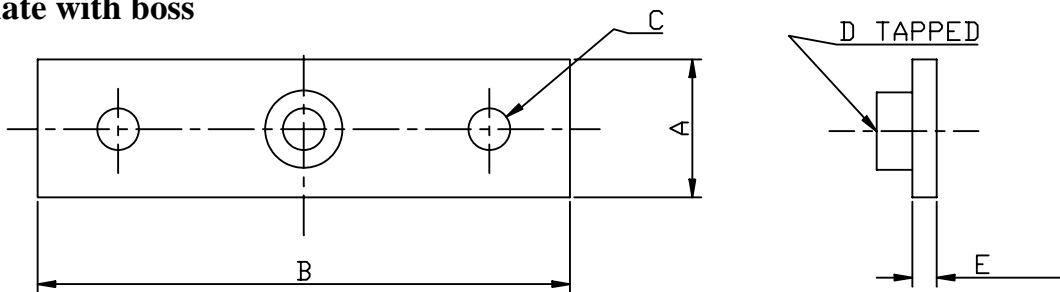
SIZE D	PART No	A	B	C	Kg/100
M6	LNM6	11	3	10	0.141
M10	LNM10	19	5	17	0.644
M12	LNM12	22	6	19	0.885

Pipe Rings with boss



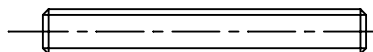
SIZE N.B.	PART No	A	B	C	D	E	MATERIAL SIZE	BOLT SIZE	Kg 100
1/8	BPR0.125	48	32	2	10.29	M6	20 X 1.6	M6	4.1
1/4	BPR0.25	55	38	2	13.72	M6	20 X 1.6	M6	4.
3/8	BPR0.375	63	44	2	17.15	M6	20 X 1.6	M6	5.3
1/2	BPR0.5	75	50	3	21.34	M10	25 X 3	M8	13.2
3/4	BPR0.75	82	55	3	26.67	M10	25 X 3	M8	13.8
1	BPR1.0	92	66	3	33.40	M10	25 X 3	M8	15.9
1-1/4	BPR1.25	108	84	3	42.16	M10	25 X 3	M8	17.6
1-1/2	BPR1.5	108	84	3	48.26	M10	25 X 3	M8	18.7
2	BPR2.0	121	96	3	60.33	M10	25 X 3	M8	20.3
2-1/2	BPR2.5	137	112	3	73.03	M10	25 X 3	M8	23.4
3	BPR3.0	150	122	3	88.90	M10	25 X 3	M8	26.1
4	BPR4.0	206	166	5	114.30	M10	40 X 3	M10	55.2
5	BPR5.0	243	204	5	141.30	M10	40 X 3	M10	58.8
6	BPR6.0	265	226	5	168.28	M10	40 X 3	M10	70.6

Backplate with boss



PART No	A	B	C	D	E	Kg/100
BPM6	25	55	6	M6	3	4.40
BPM10	25	75	6	M10	3	4.90

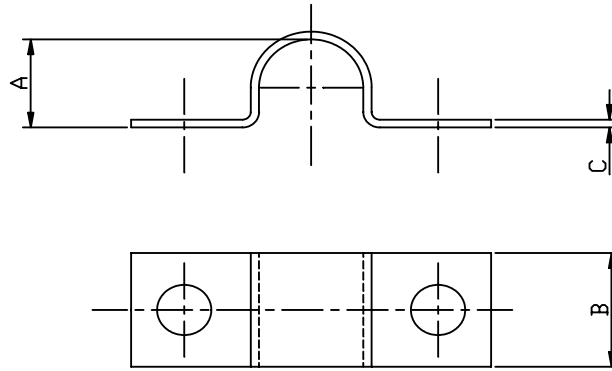
All Thread/Threaded Rod



PART No	THREAD SIZE	LENGTH	Kg/M
TRM6	M6	1M	0.176
TRM10	M10	1M	0.497

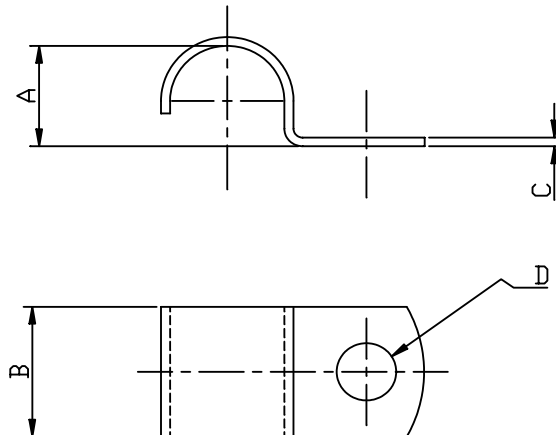
All 304SS as standard. Other sizes of ring, backplate and allthread are available on request.

Saddle Tube Clip



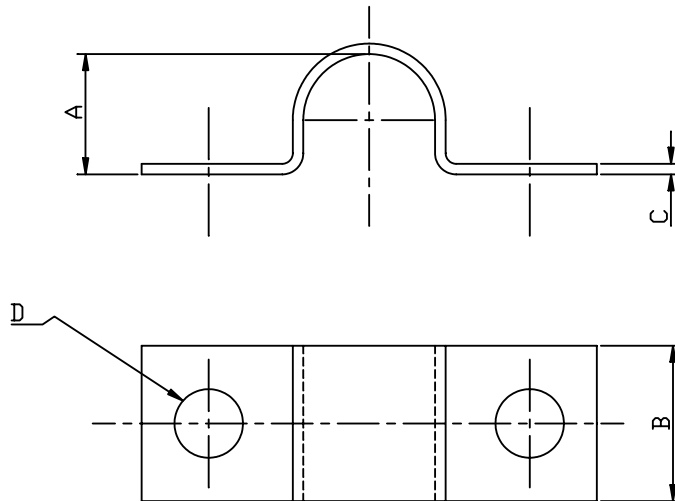
PART No	TUBE SIZE	A	B	C	D	Kg/100
STC0.25	1/4"/6MM	6.35	10	1	5	0.4
STC08M	5/16"/8MM	8	10	1	5	0.4
STC10M	3/8"/10MM	10	10	1	5	0.4
STC0.5	1/2"/12MM	12.7	15	1.6	6	0.5
STC15M	15MM	15	15	1.6	6	0.5
STC16M	5/8"/16MM	16	15	1.6	6	1.0
STC18M	18MM	18	20	2	6	2.2
STC0.75	3/4"	19.05	20	2	6	2.3
STC20M	20MM	20	20	2	6	2.4
STC22M	7/8"/22MM	22	20	2	6	2.4
STC1.0	1"/25MM	25.4	20	2	6	3.0
STC28M	28MM	28	20	2	6	3.2
STC32M	1-1/4"/32MM	32	25	3	8	3.9
STC38M	1-1/2"/38MM	38.1	25	3	8	4.4
STC42M	42MM	42	25	3	8	4.8

P-Clip (Half Saddle)



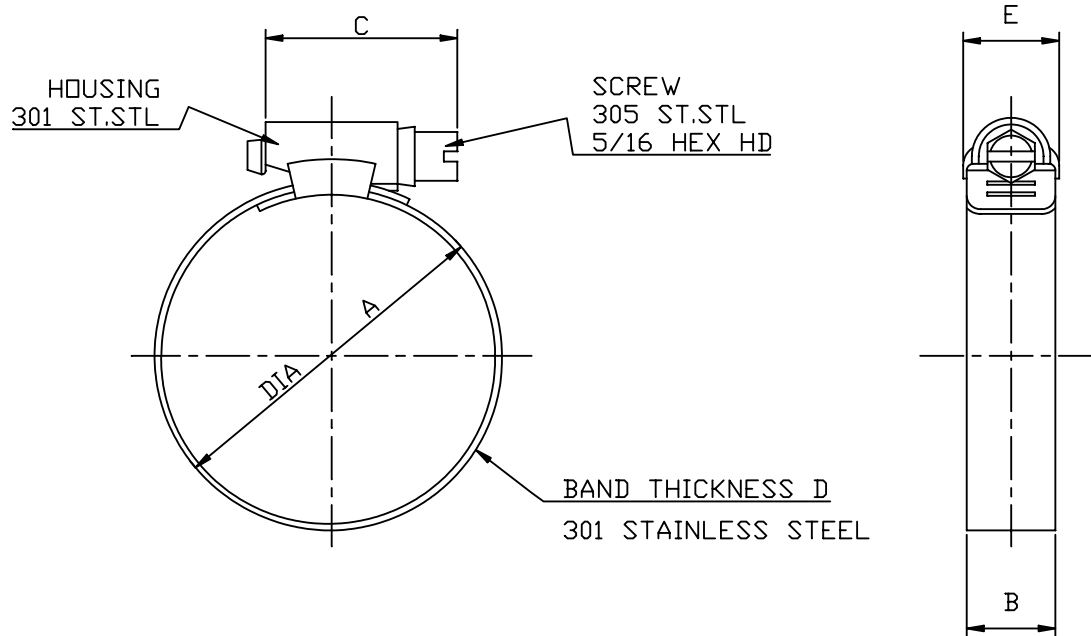
PART No	TUBE SIZE	A	B	C	D	Kg/100
PC14-1	1/4"/6MM	6.35	16	1.6	5	0.4
PC516-1	5/16"/8MM	8	16	1.6	5	0.6
PC38-1	3/8"/10MM	10	16	1.6	5	1.4
PC12-1	1/2"/12MM	12.7	19	1.6	7	1.8

Saddle Pipe Clip



PART No	PIPE SIZE	A	B	C	D	Kg/100
SPC0.25	1/4	13.72	20	2	7	1.93
SPC0.375	3/8	17.15	20	2	7	2.13
SPC0.5	1/2	21.34	20	2	7	2.90
SPC0.75	3/4	26.67	25	3	9	5.44
SPC1.0	1	33.40	25	3	9	5.65
SPC1.25	1-1/4	42.16	25	3	9	6.54
SPC1.5	1-1/2	48.26	25	3	9	6.84
SPC2.0	2	60.33	25	3	9	8.32
SPC2.5	2-1/2	73.03	25	3	9	9.81
SPC3.0	3	88.90	25	3	9	11.0
SPC3.5	3-1/2	101.60	25	3	9	11.89
SPC4.0	4	114.30	40	3	11	23.78
SPC5.0	5	141.30	40	3	10	28.06
SPC6.0	6	168.28	40	3	10	21.69

LARGER SIZES AVAILABLE. LIGHTER OR HEAVIER DUTY MATERIAL AVAILABLE



Specifications:

- 3/8" - 6-1/2" - 301 Stainless steel - Manufactured to BS5315

PART NUMBER	A		B	C	D	E	Kg 100
	MM	INCH					
WDHC8-22	7.9-22.2	5/16-7/8	8	17.1	0.61	10.4	1.2
WDHC13-27	12.7-27.0	1/2-1-1/16	8	17.1	0.61	10.4	1.3
WDHC17-38	17.5-38.1	11/16-1-1/2	13	30.5	0.66	15.7	2.5
WDHC19-44	19.0-44.4	3/4-1-3/4	13	30.5	0.66	15.7	3.0
WDHC27-51	27.0-50.8	1-1/16-2.0	13	30.5	0.66	15.7	3.9
WDHC33-57	33.3-57.1	1-5/16-2-1/4	13	30.5	0.66	15.7	4.0
WDHC40-63	39.7-63.5	1-9/16-2-1/2	13	30.5	0.66	15.7	4.2
WDHC46-70	46.0-69.8	1-13/16-2-3/4	13	30.5	0.66	15.7	4.5
WDHC52-76	52.4-76.2	2-1/16-3.0	13	30.5	0.66	15.7	4.8
WDHC58-82	58.7-82.5	2-5/16-3-1/4	13	30.5	0.66	15.7	5.1
WDHC65-90	65.1-88.9	2-9/16-3-1/2	13	30.5	0.66	15.7	5.3
WDHC71-95	71.4-95.2	2-13/16-3-3/4	13	30.5	0.66	15.7	5.5
WDHC78-101	77.8-101.6	3-1/16-4.0	13	30.5	0.66	15.7	5.7
WDHC76-127	76.2-127.0	3.0-5.0	13	30.5	0.66	15.7	6.2
WDHC95-146	95.3-146.0	3-3/4-5-3/4	13	30.5	0.66	15.7	7.0
WDHC102-152	101.6-152.4	4.0-6.0	13	30.5	0.66	15.7	7.6
WDHC114-165	114.3-165.1	4-1/2-6-1/2	13	30.5	0.66	15.7	8.0

OTHER SIZES AVAILABLE. QUICK RELEASE CLIPS ON REQUEST.