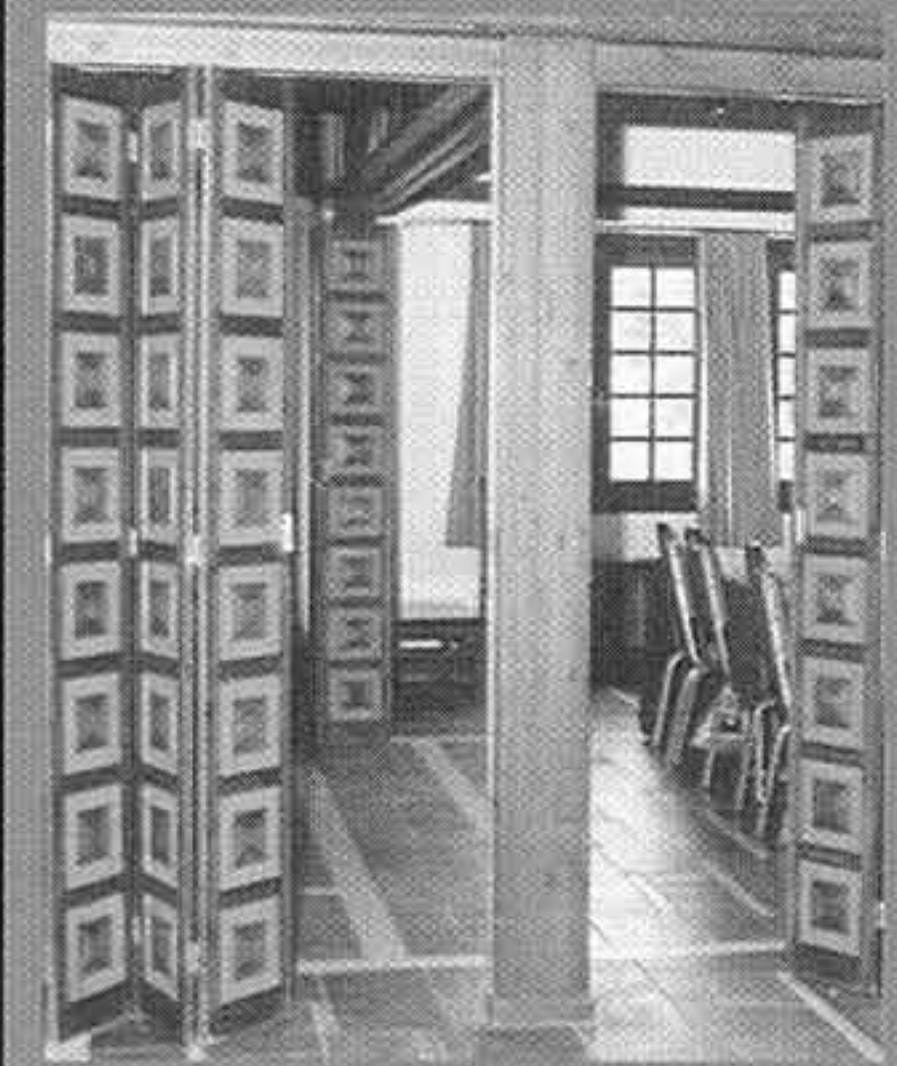
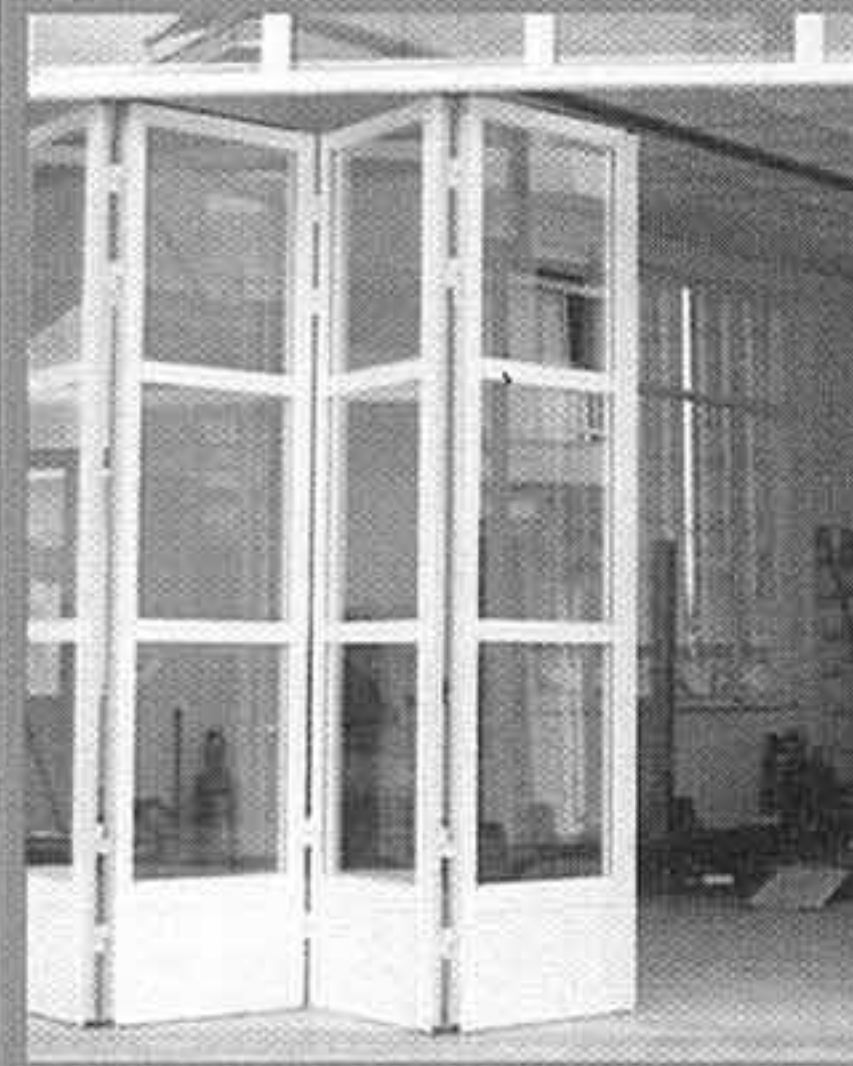


Sliding Door Fittings For Heavy Duty Applications



NIKO sliding door fittings can be used in every heavy-duty application and provide cost effective and practical solutions.

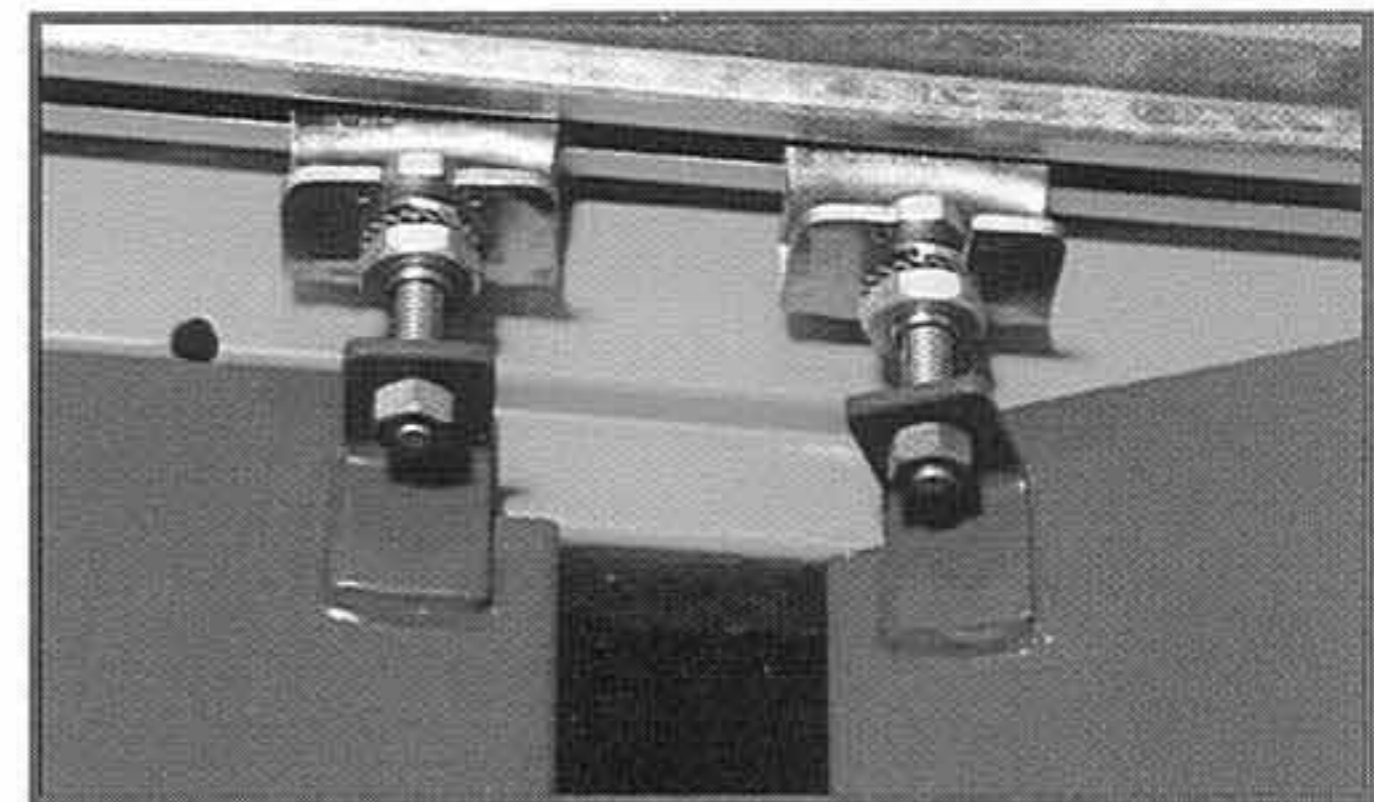
For panel weight ranging from 10Kg to 2.000 kg.

- o Utilizing real bearings
- o Ease of use
- o Silent operation
- o Maintenance free
- o Durable
- o Simple installation
- o Reliable



NIKO sliding door fittings are used in :

- Sliding doors in wood, steel or aluminium
- Folding and harmonica doors with multiple panels
- Mobile panels in out-door shops
- Interior partitions in large halls
- Truck hoods
- Heavy curtains
- Theatrical and TV-studio sets
- Sliding gates on angled or squared guide rails
- Garage doors with counterweights
- Sliding air tight doors of freezing chambers
- Sliding panels around the corner
- Other applications



NIKO sliding door fittings are also available for light-duty applications up to 125kg. These applications include: sliding doors, wardrobes, curtains and many other applications.

For further information please ask for our specific brochures on light-duty applications.

Wheel Hangers



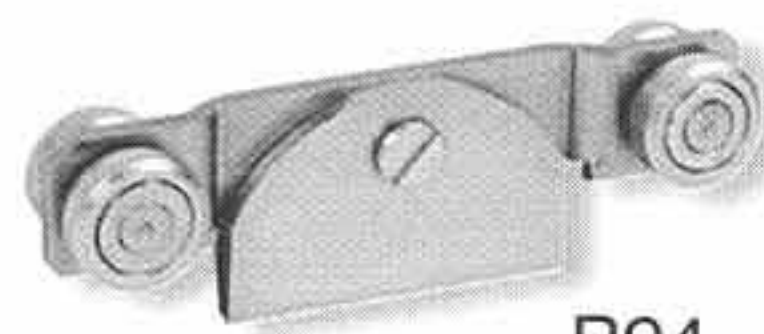
.R91



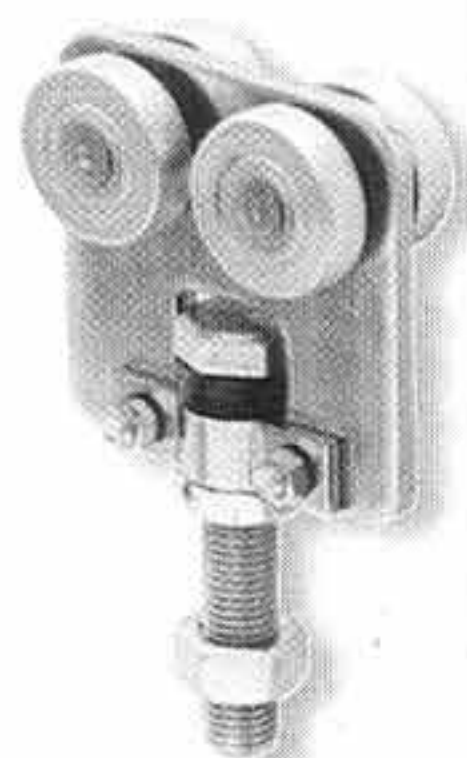
.R86



.R93



.R94



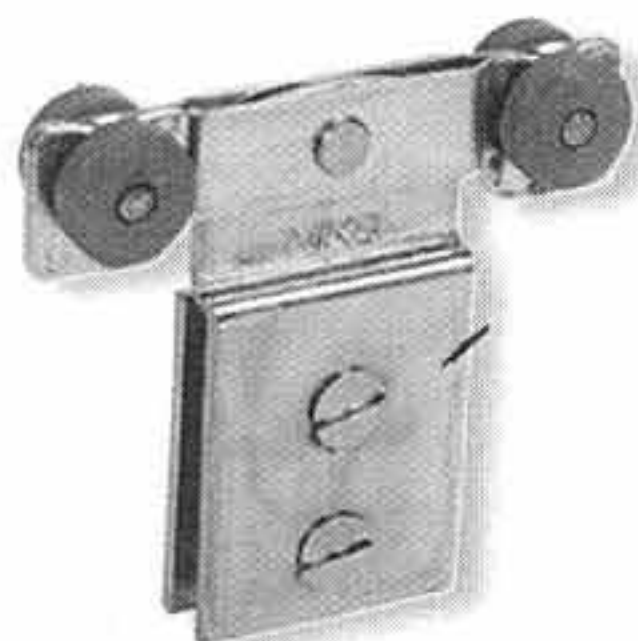
.R51



.R55



.R54



.R40

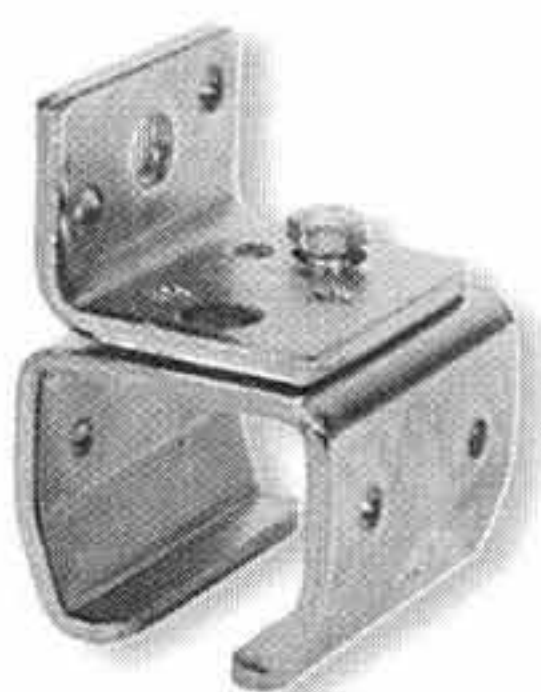


.R31



.R32

Support brackets



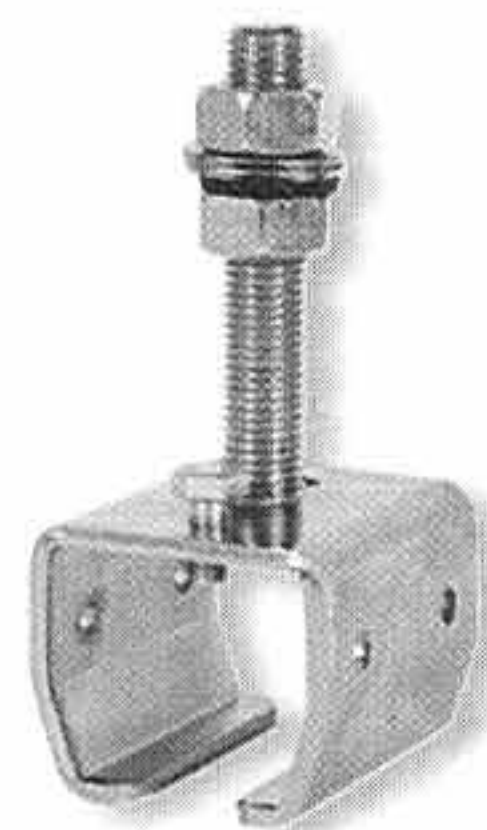
.B01



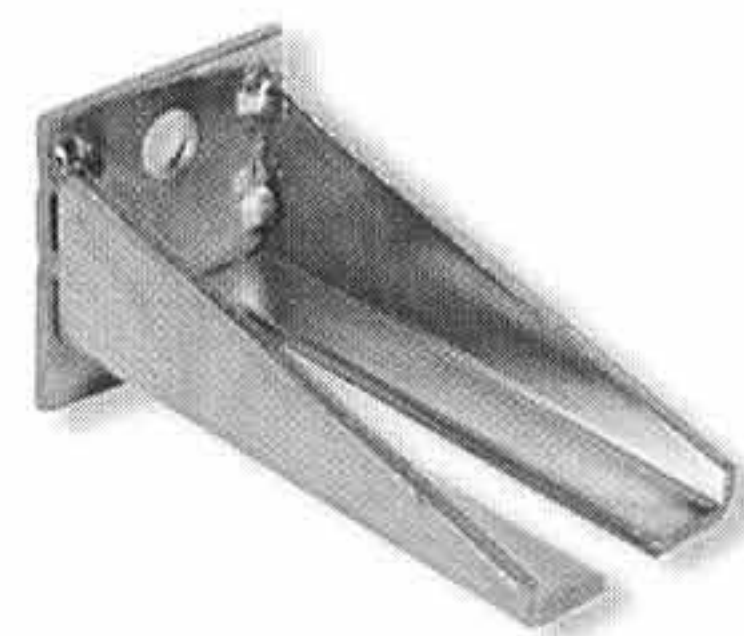
.B02



.B49



.B04



.B06

Track and stops

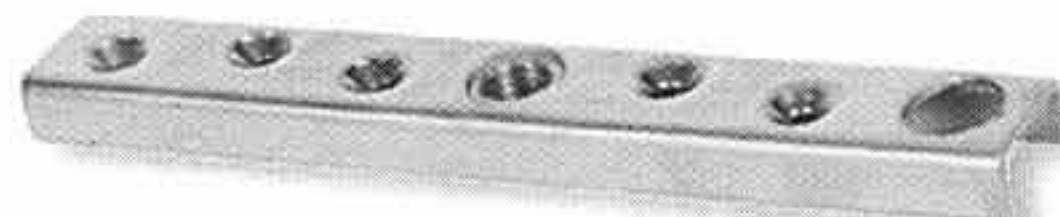


.X01



.X02

Flanges



.F00



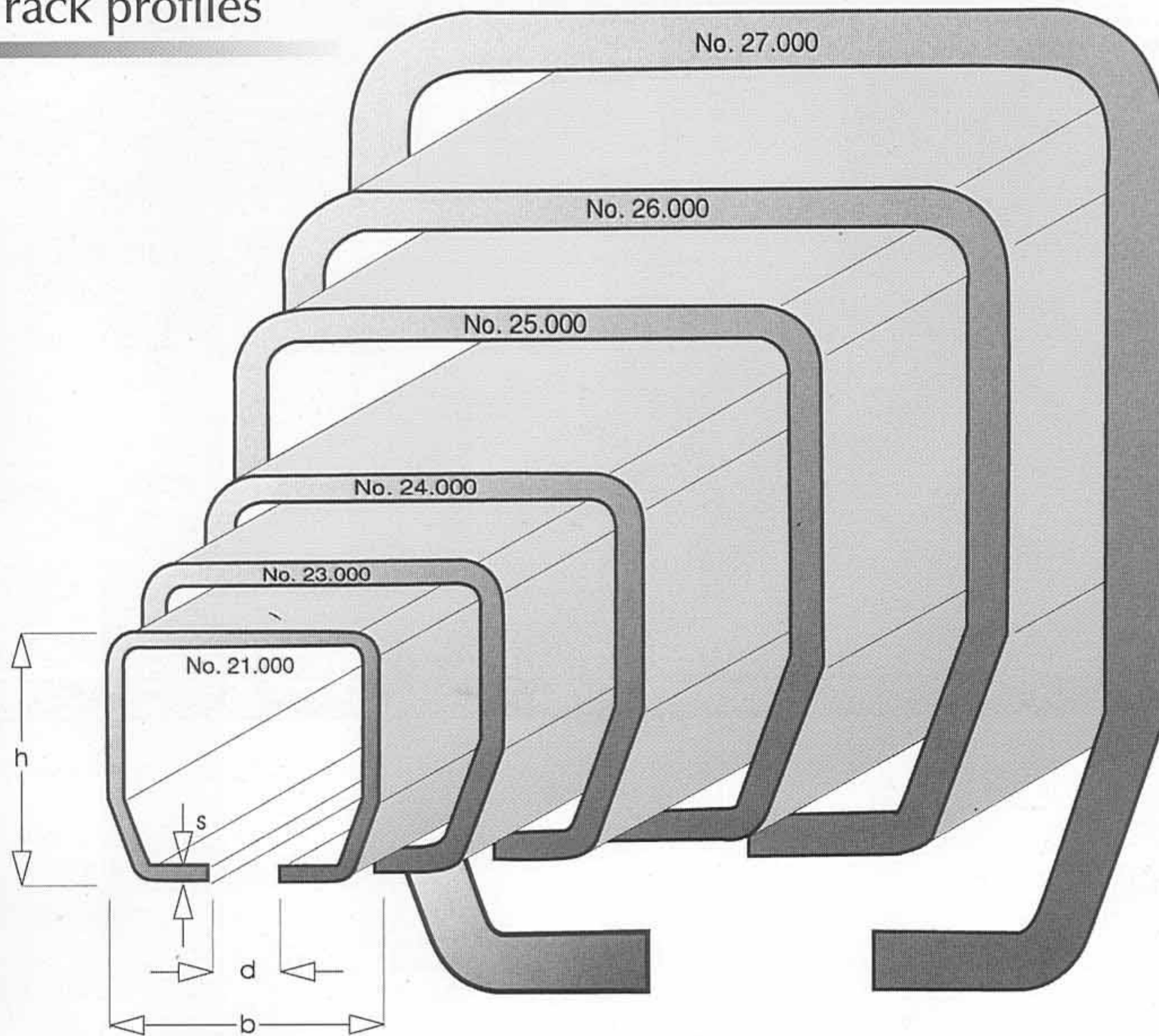
.F03



.F95

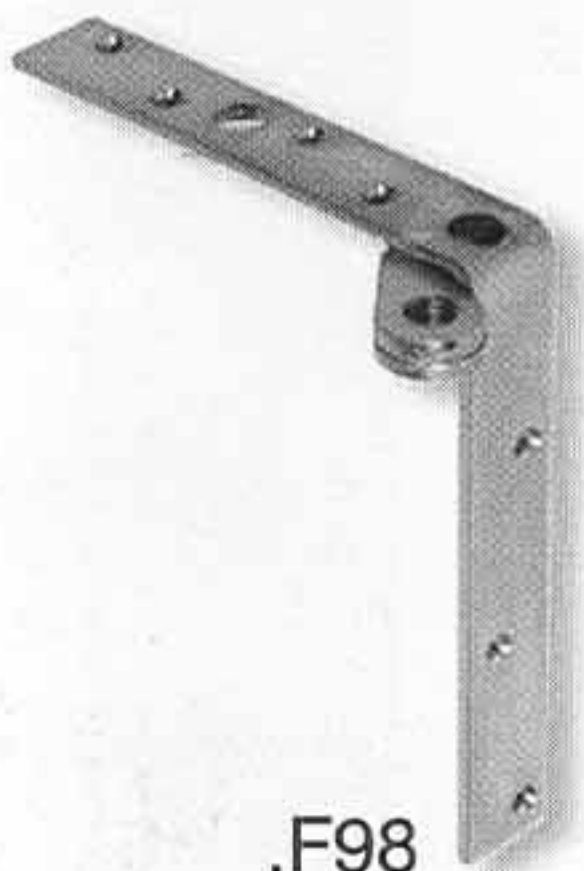
Track profiles

SCALE 1:1



NIKO Profile No	21.000	21.010	23.000	23.010	24.000	25.000	26.000	27.000
Dimension h (mm)	28	28	35	35	43.5	60	75	110
Dimension b (mm)	30	30	40	40	48.5	65	80	90
Dimension d (mm)	8	8	11	11	15	18	22	25
Dimension s (mm)	1.75	1.50	2.75	1.90	3.20	3.60	4.50	6.50

Track bends

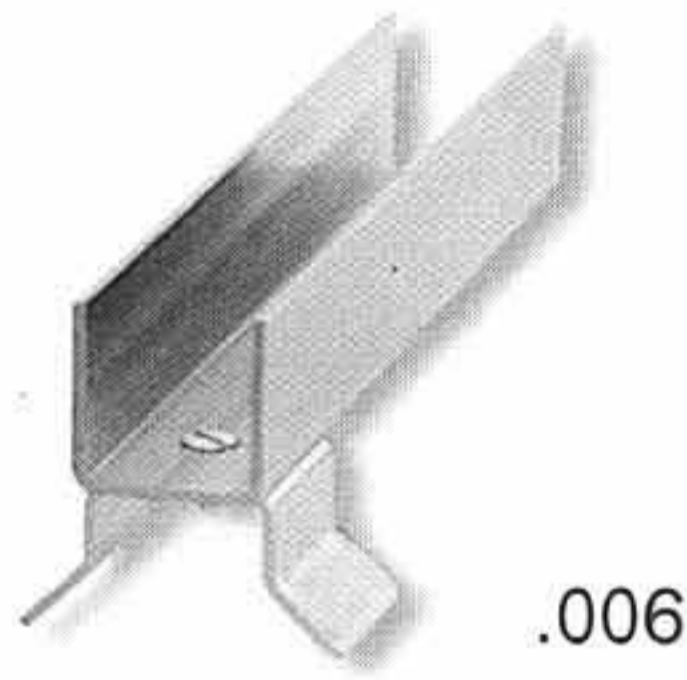
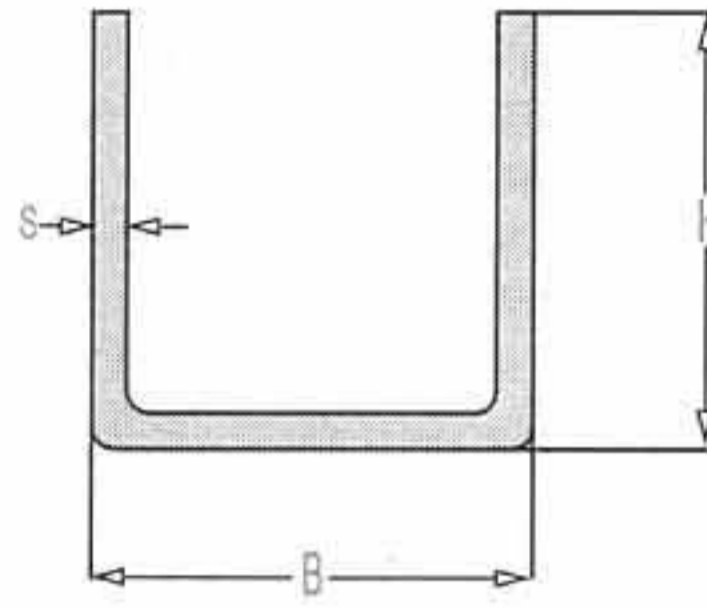


.F98

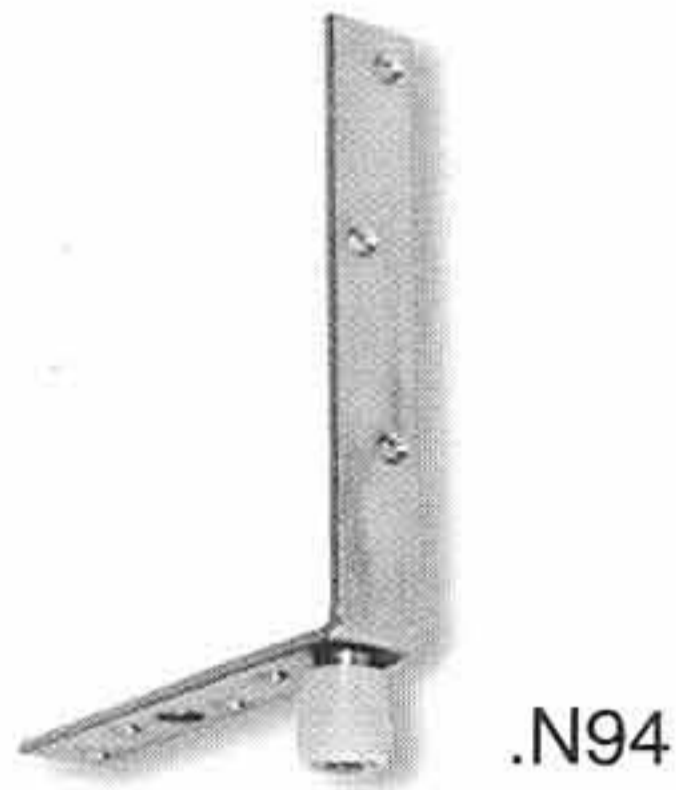
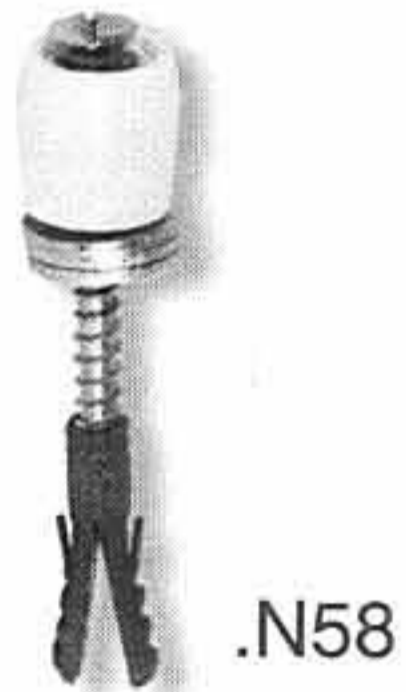
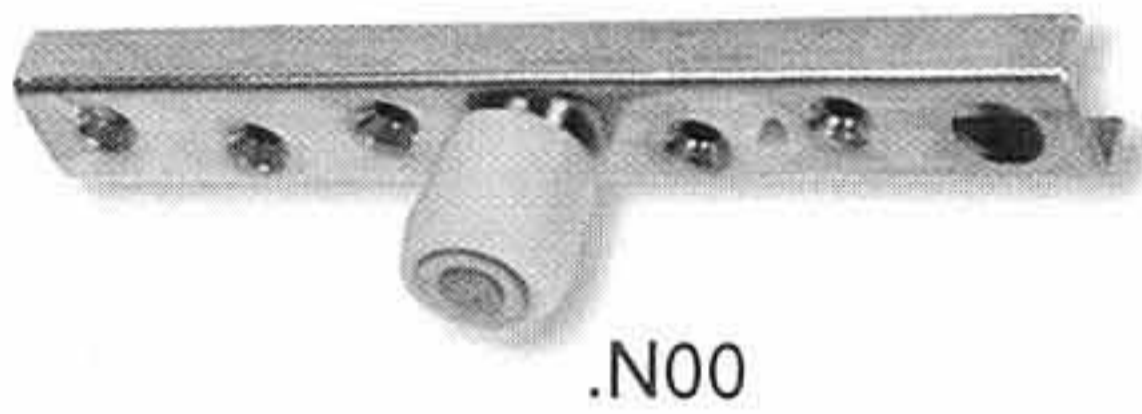


Guide tracks

NIKO SERIES	32	33	34	35
Guide track No	32.000	33.000	34.000	35.000
Dimension H (mm)	15	25	40	50
Dimension B (mm)	15	25	40	60
Dimension s (mm)	1	2	3	4



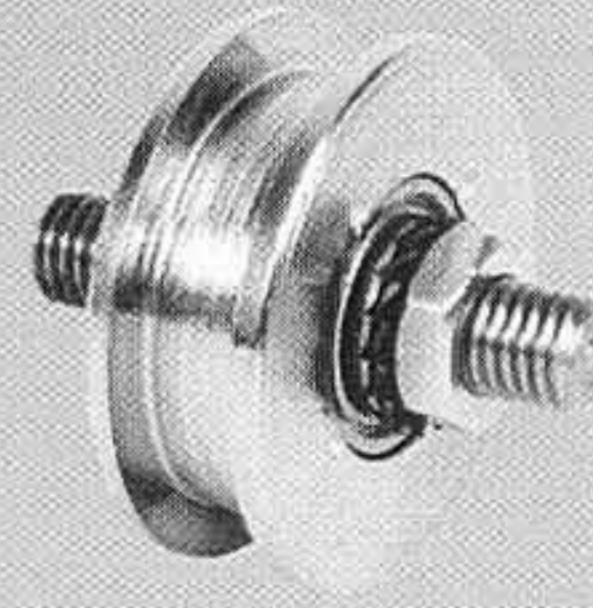
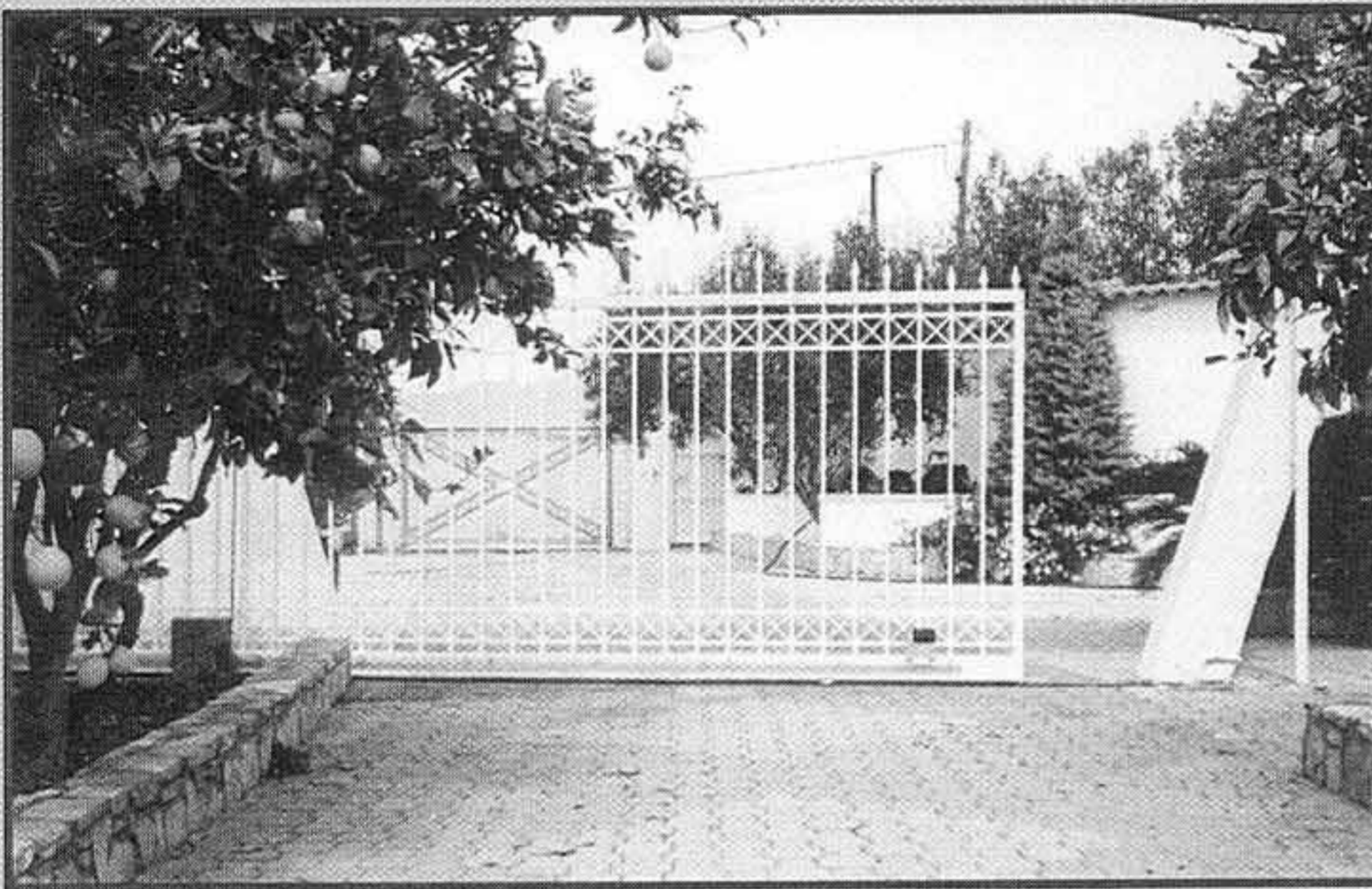
Guide rollers for guide tracks



Panel Guides



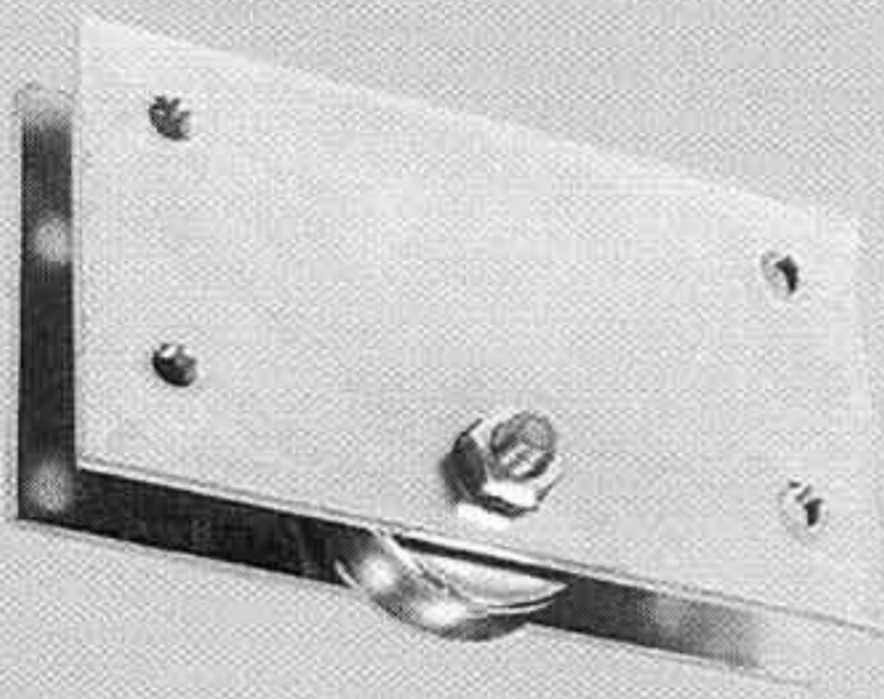
Bottom rollers



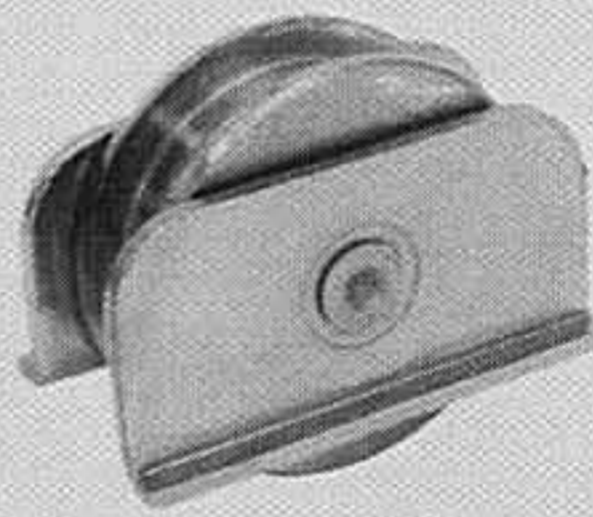
.S80/86



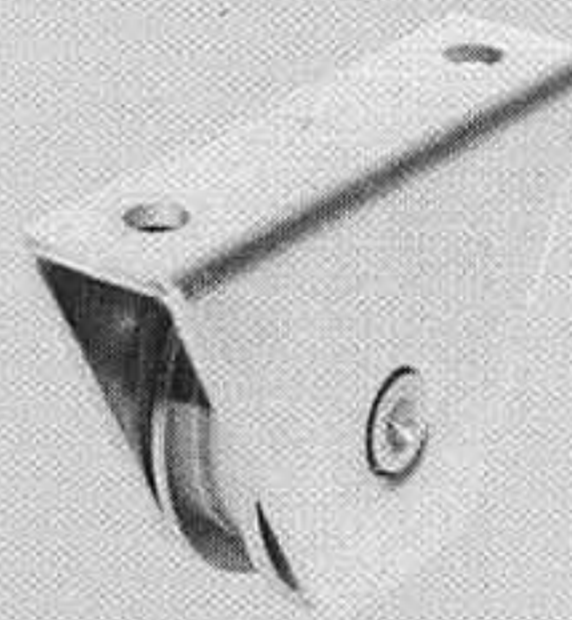
.V79/83



.S71/74



.S60/64

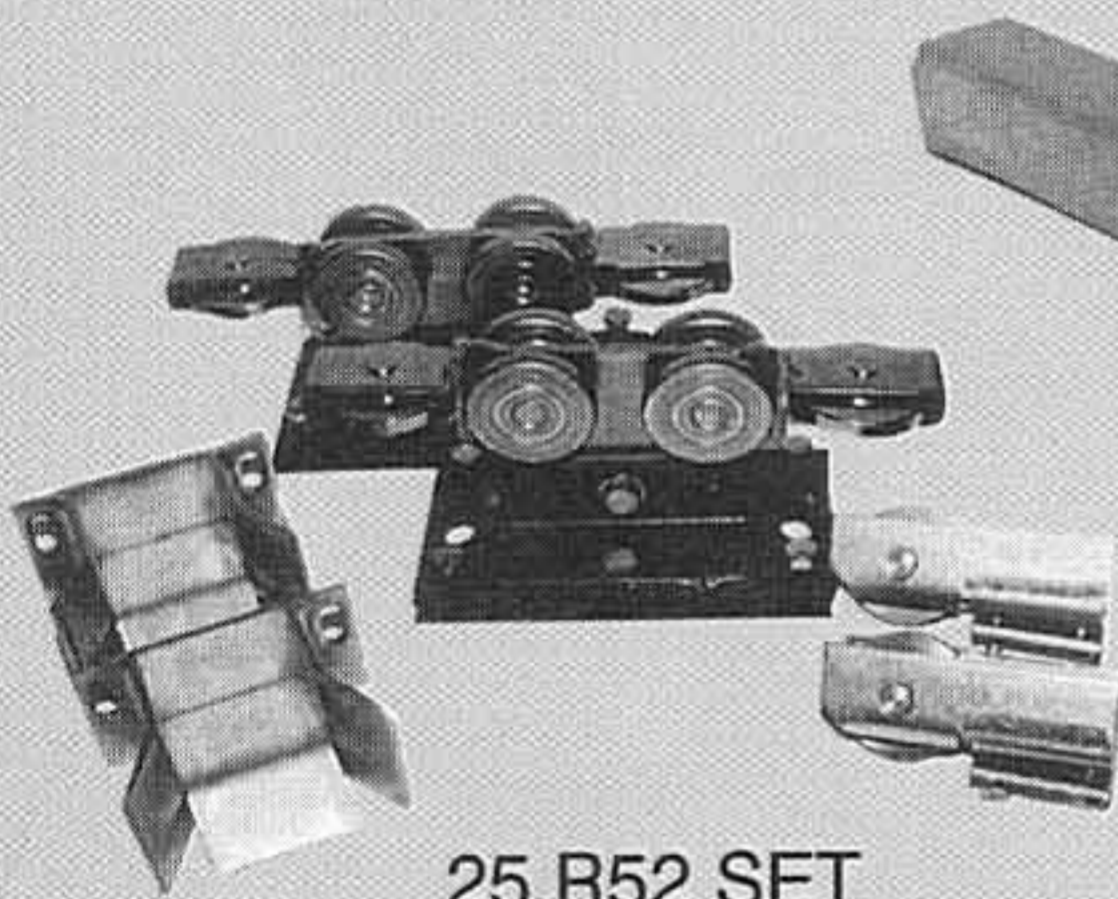


.S50/54

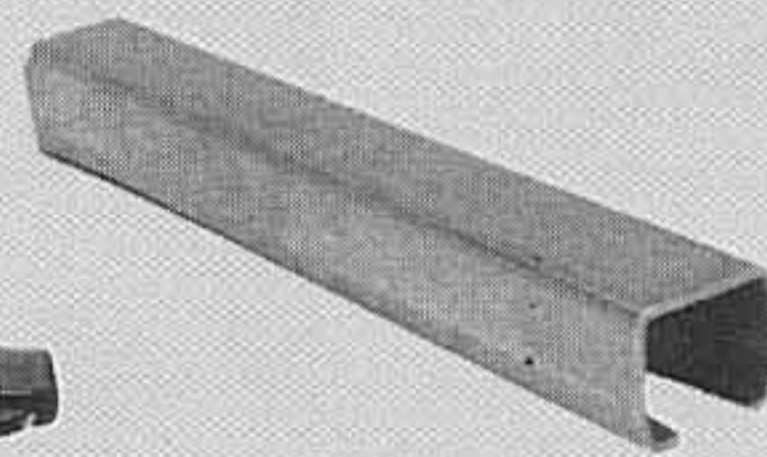


.S42/45

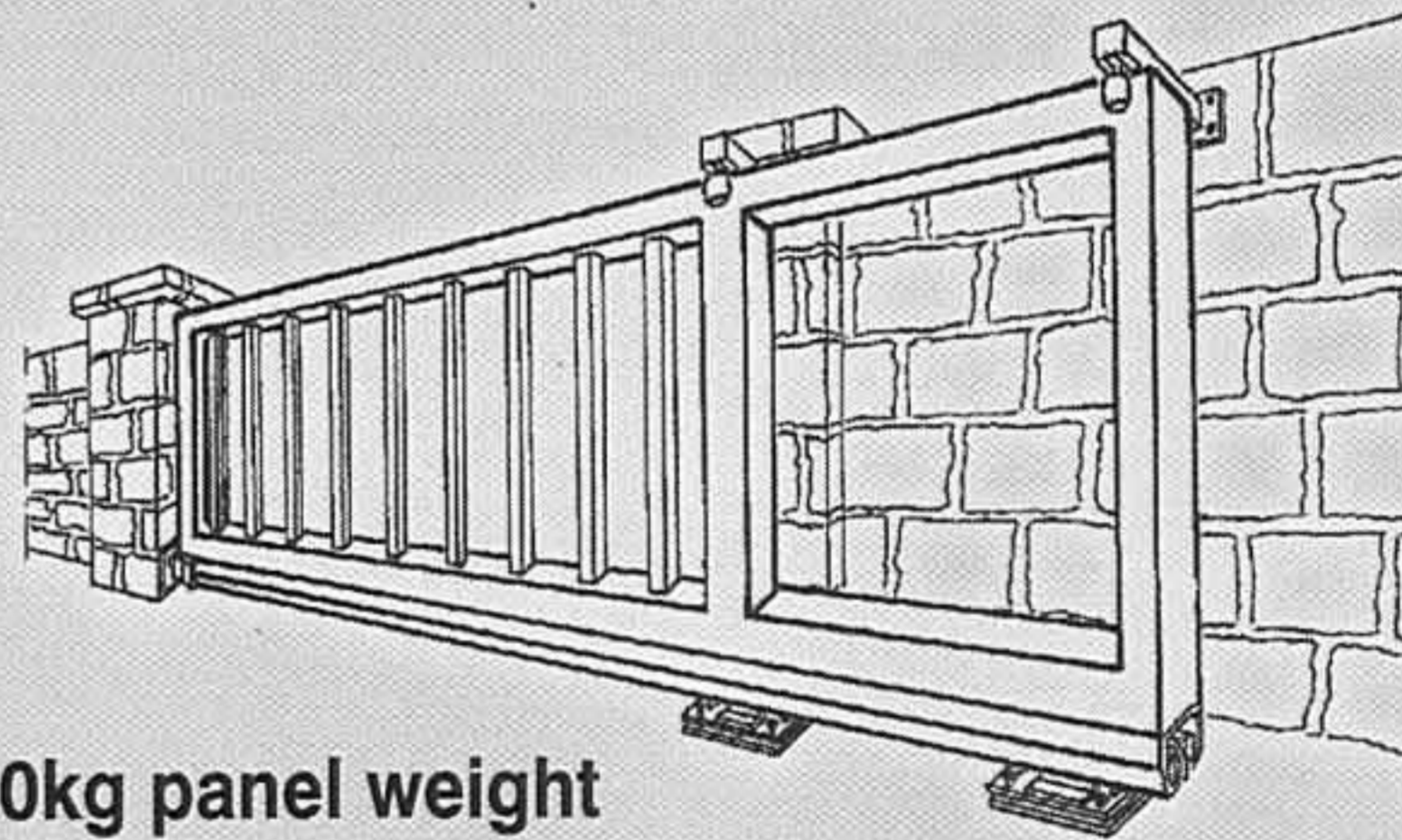
Sliding gates



25.R52 SET



From 200 to 1200kg panel weight



NIKO HELM HELLAS S.A.

MANUFACTURERS OF SLIDING DOOR FITTINGS
AND CONVEYORS SYSTEMS

82 KM. ATHENS - KORINTHOS, 201 00 KORINTH, P.O. BOX 209, GREECE
TEL.: 0030 741 85.803-6, FAX: 0030 741 25.368, www.niko.gr

