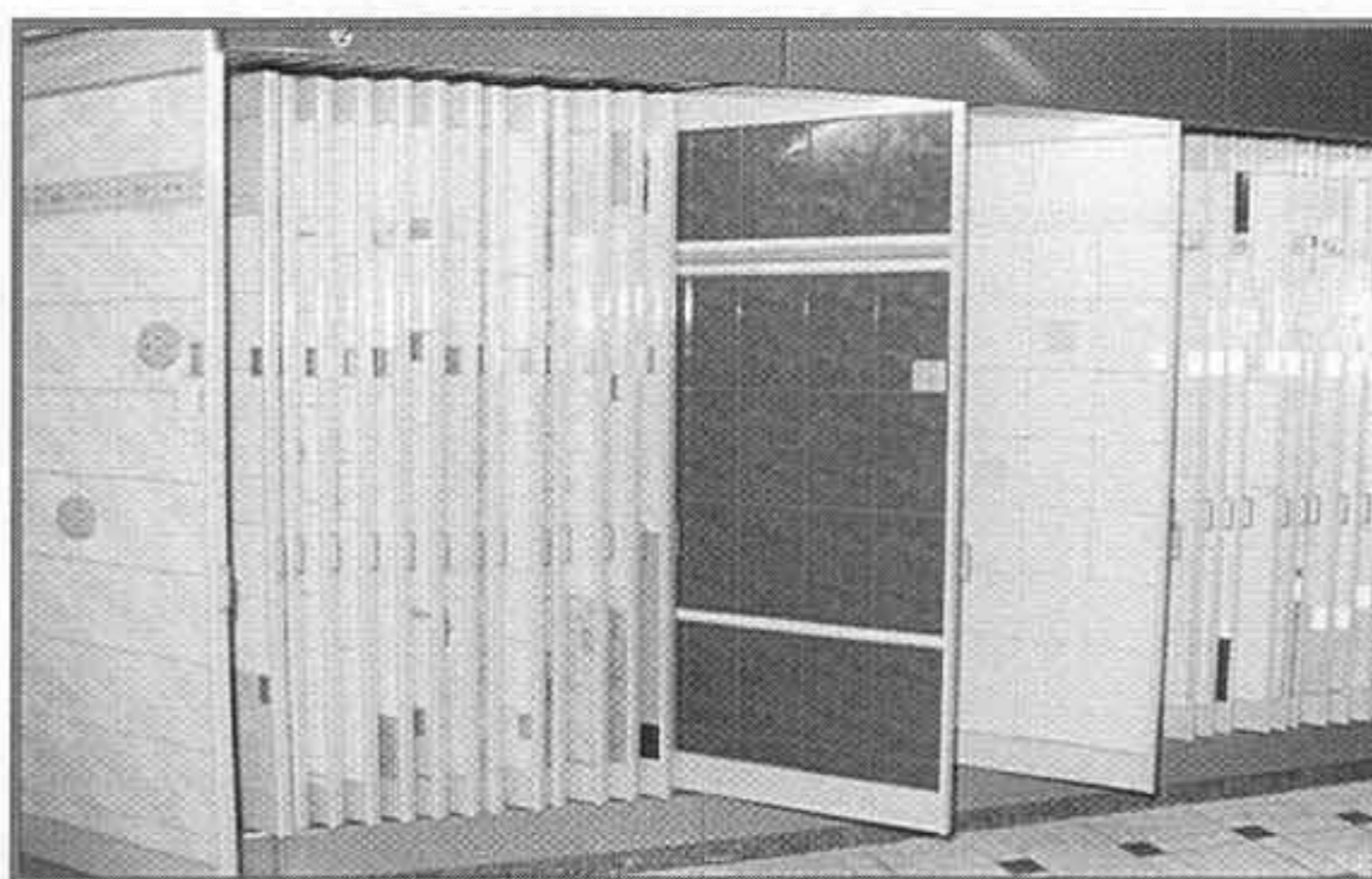


Sliding Door Fittings For Light Duty Applications



NIKO sliding door fittings can be used in every light-duty application and provide cost effective and practical solutions.

- o Utilizing real bearings
- o Easy of use
- o Silent operation
- o Maintenance free
- o Durable
- o Simple installation
- o Reliable



NIKO sliding door fittings are used in :

- Sliding doors in wood, steel or aluminium
- Successive panels with double and triple track
- Sliding windows
- Sliding wardrobe doors
- Sliding panels for show windows
- Folding wardrobe doors
- Sliding curtains
- Theatrical and TV-studio sets
- Interior partitions
- Sliding show panels, tiles and boards
- Storage and exhibition of carpets
- Other applications

NIKO sliding door fittings are also available for heavy-duty applications up to 2.000kg. These applications include: harmonica doors, folding doors, garage doors with counter weights, partitions, sliding gates, truck hoods, heavy curtains and many other applications.

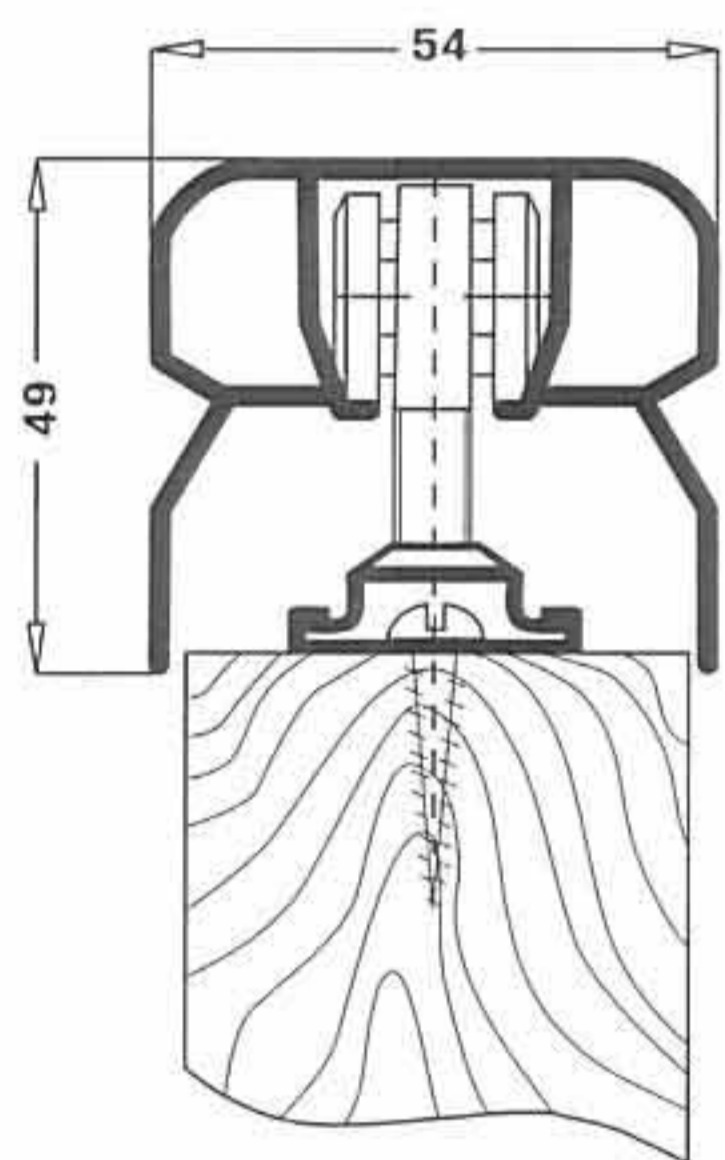


For further information please ask for our specific brochures on heavy-duty applications.

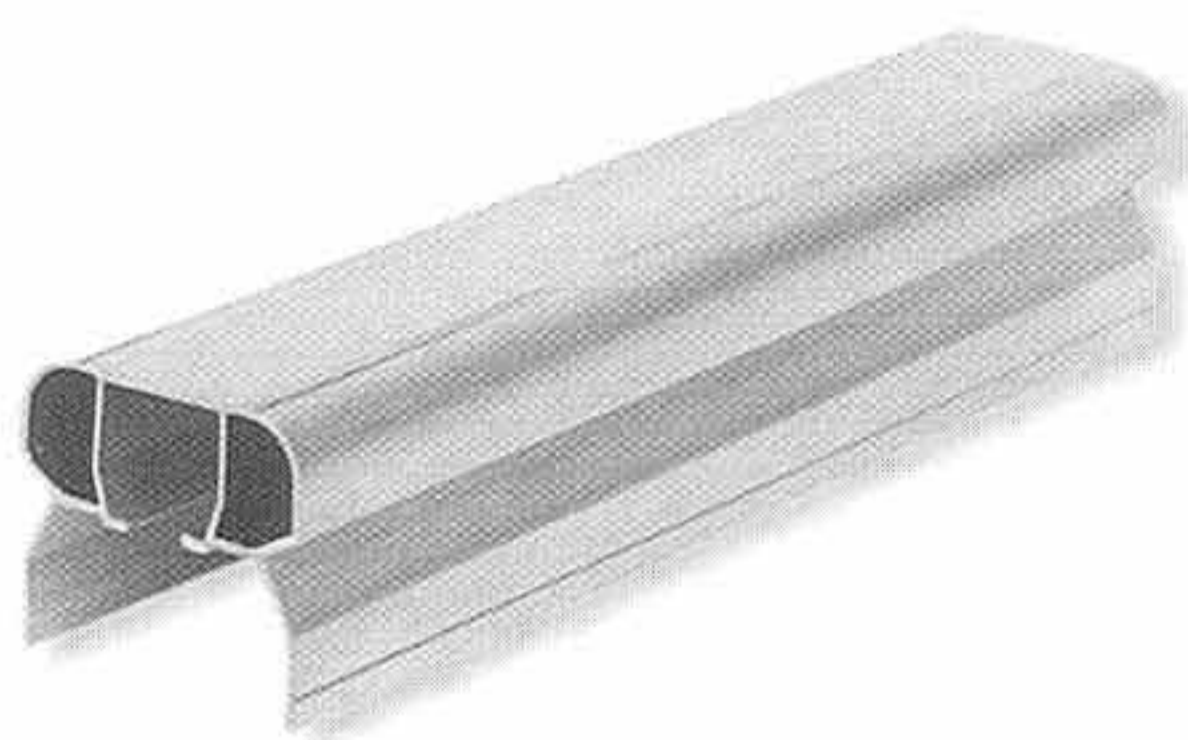
SLIDING DOOR FITTINGS

NIKO SERIES 03.

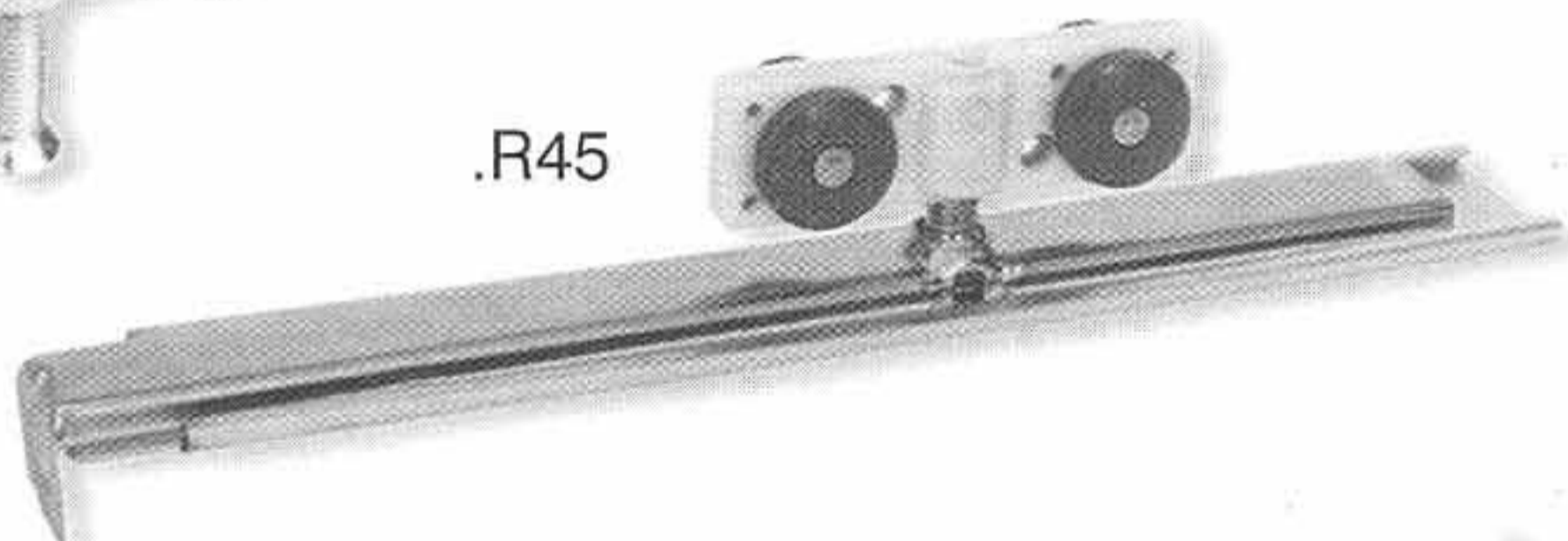
WITH ALUMINIUM TRACK FOR PANEL WEIGHT UP TO 60kg



.R46

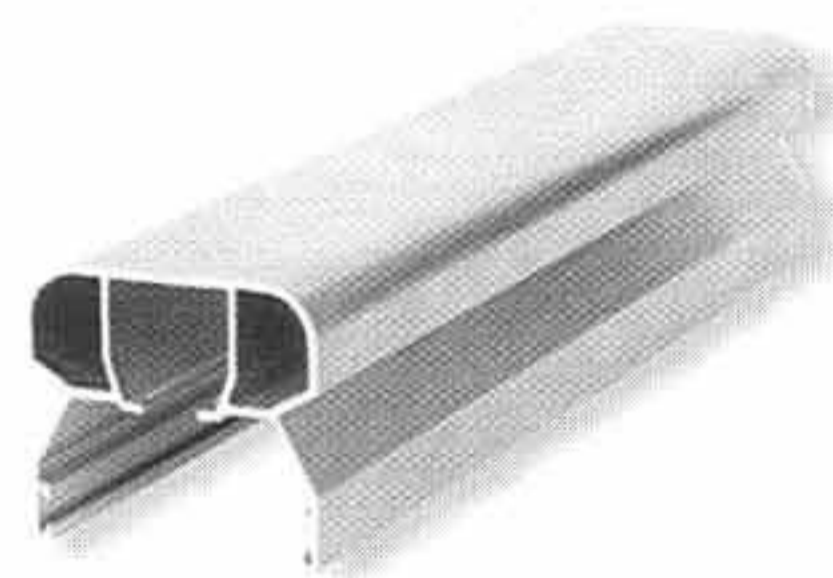
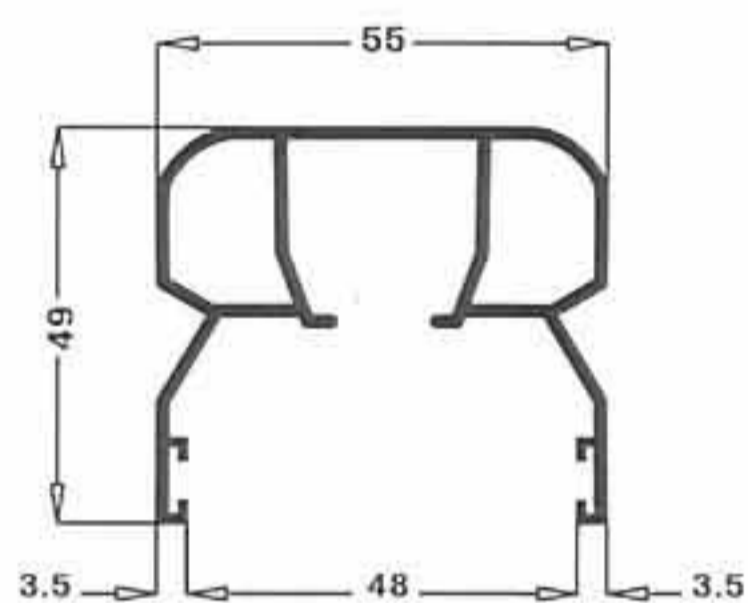


.R45

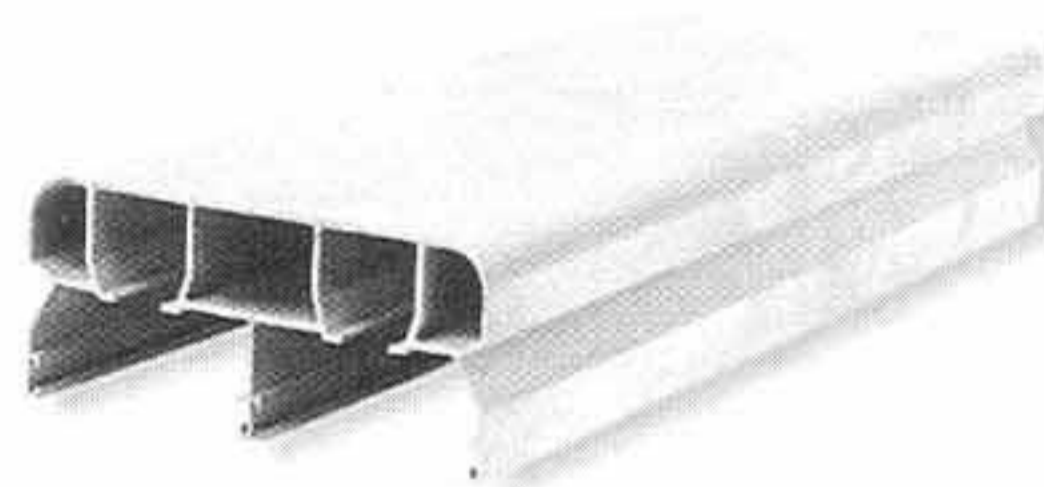
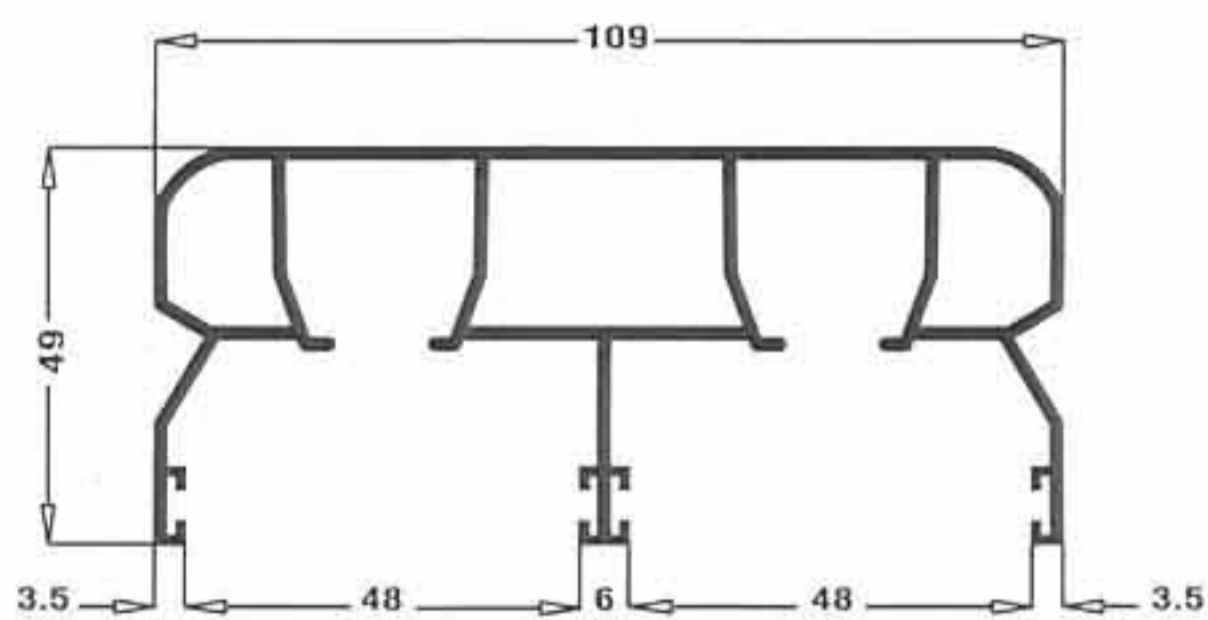


NIKO SERIES 04.

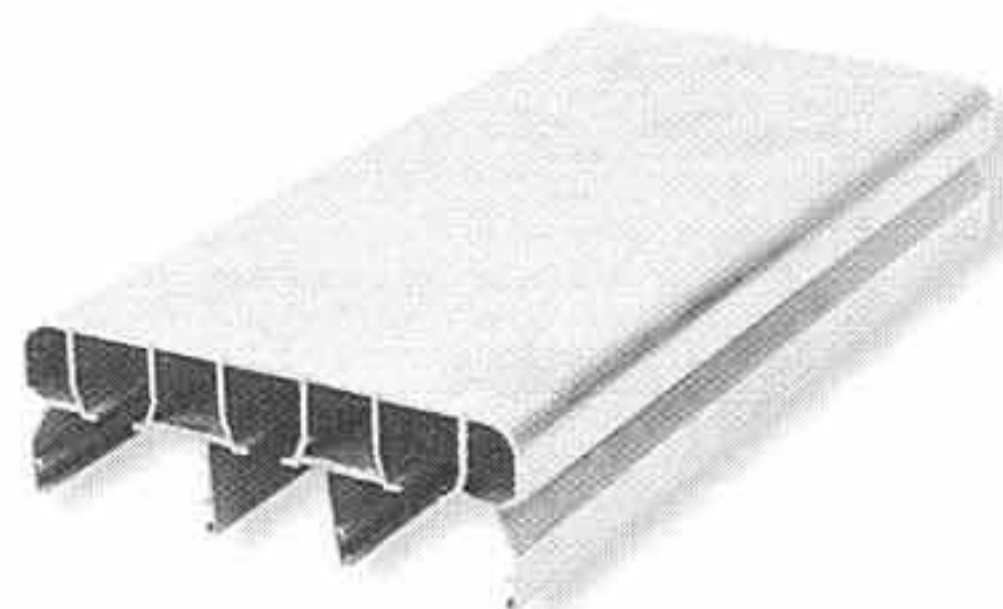
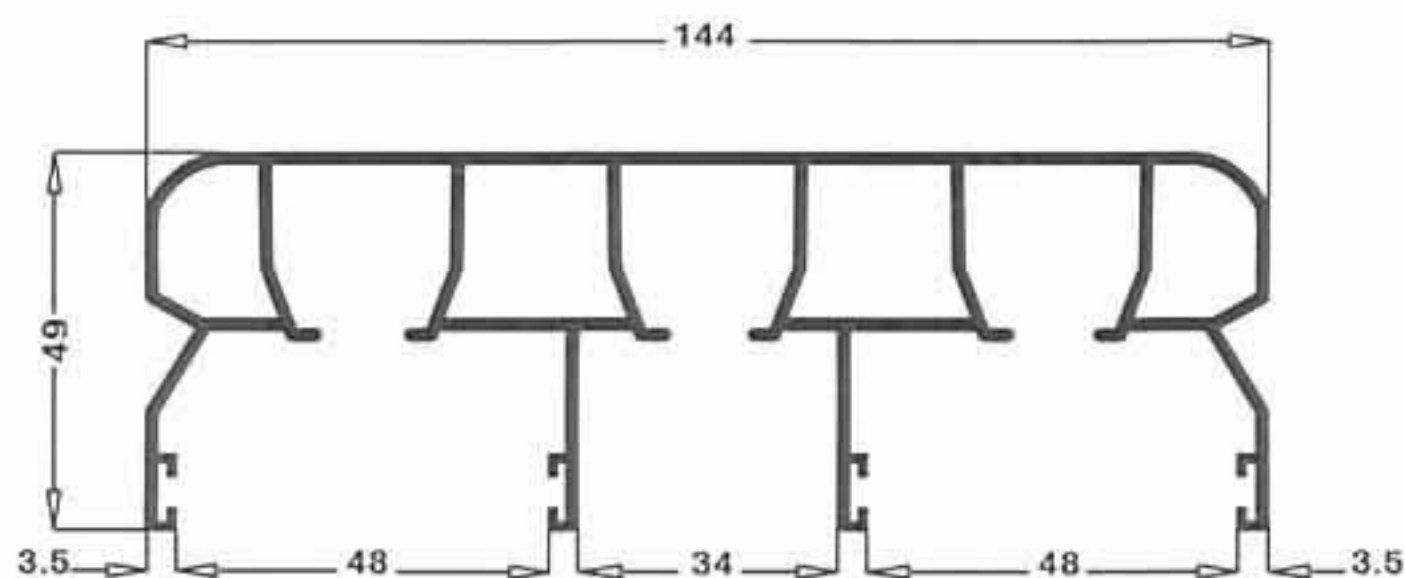
WITH ALUMINIUM TRACK FOR AIR PROOFING BRUSH



SINGLE TRACK



DOUBLE TRACK



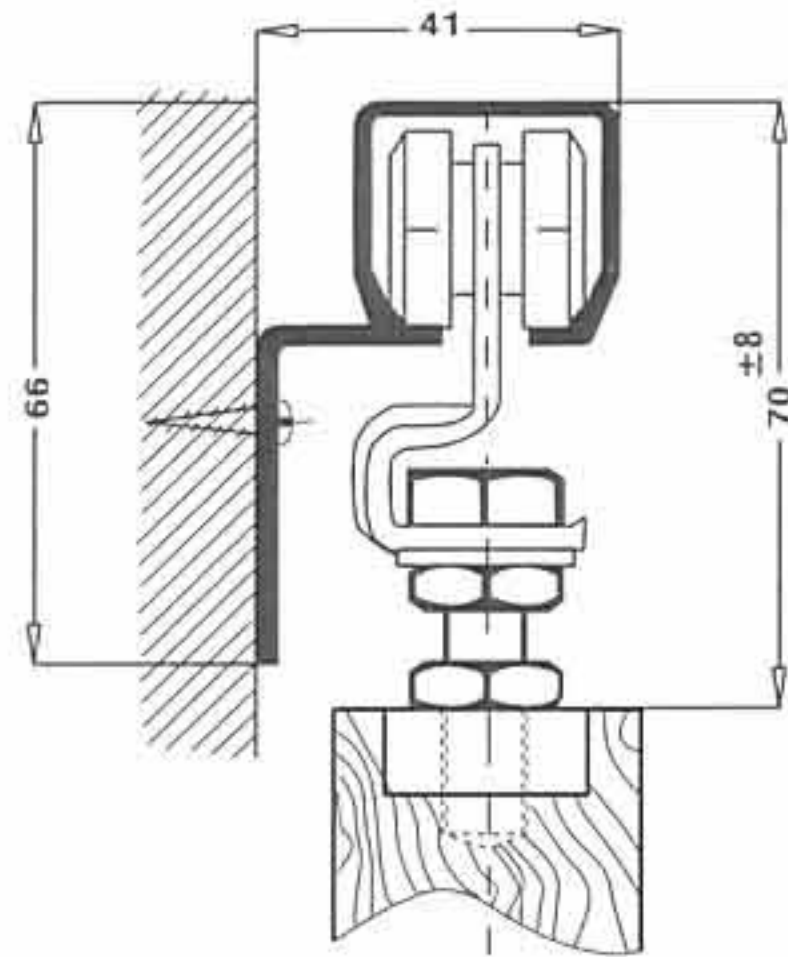
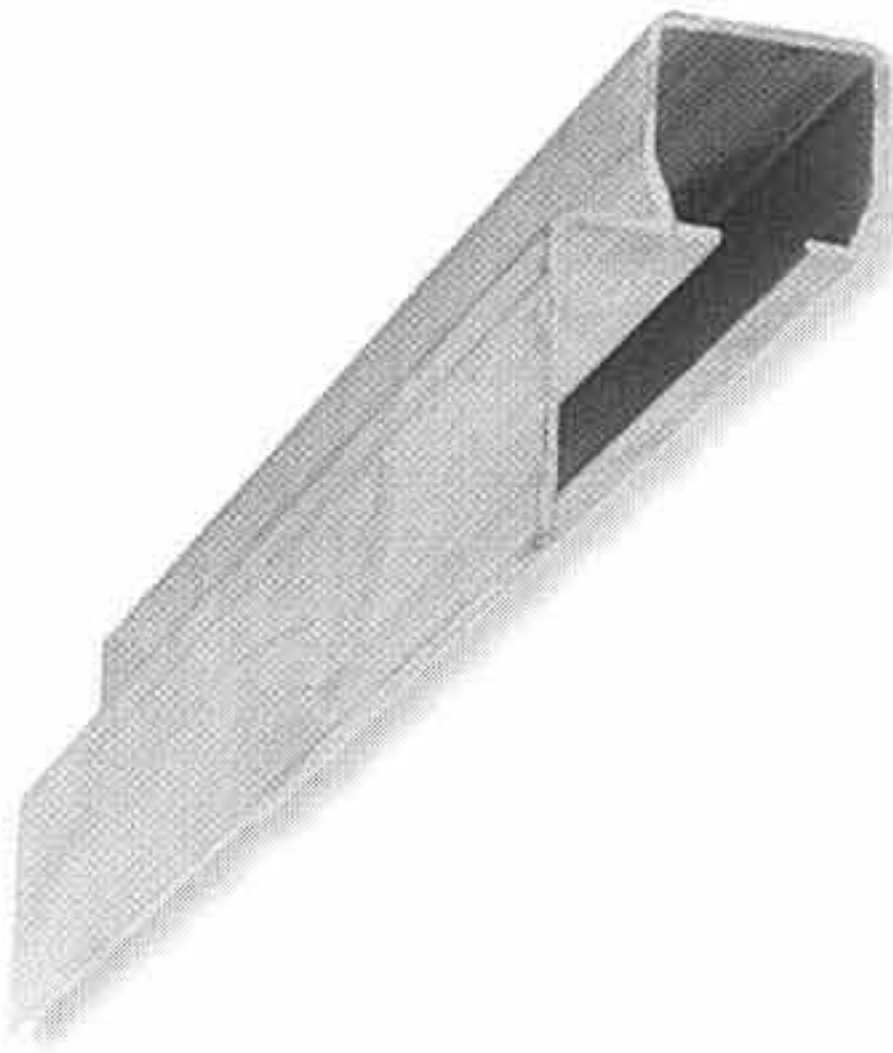
TRIPLE TRACK

NIKO series 03 and 04 are used for out-door/in-door single/double panel doors up to 60kg

THE NIKO WHEEL-HANGERS ARE PRODUCED WITH REAL BEARINGS

NIKO SERIES 07.

WITH ALUMINIUM TRACK FOR PANEL WEIGHT UP TO 75kg



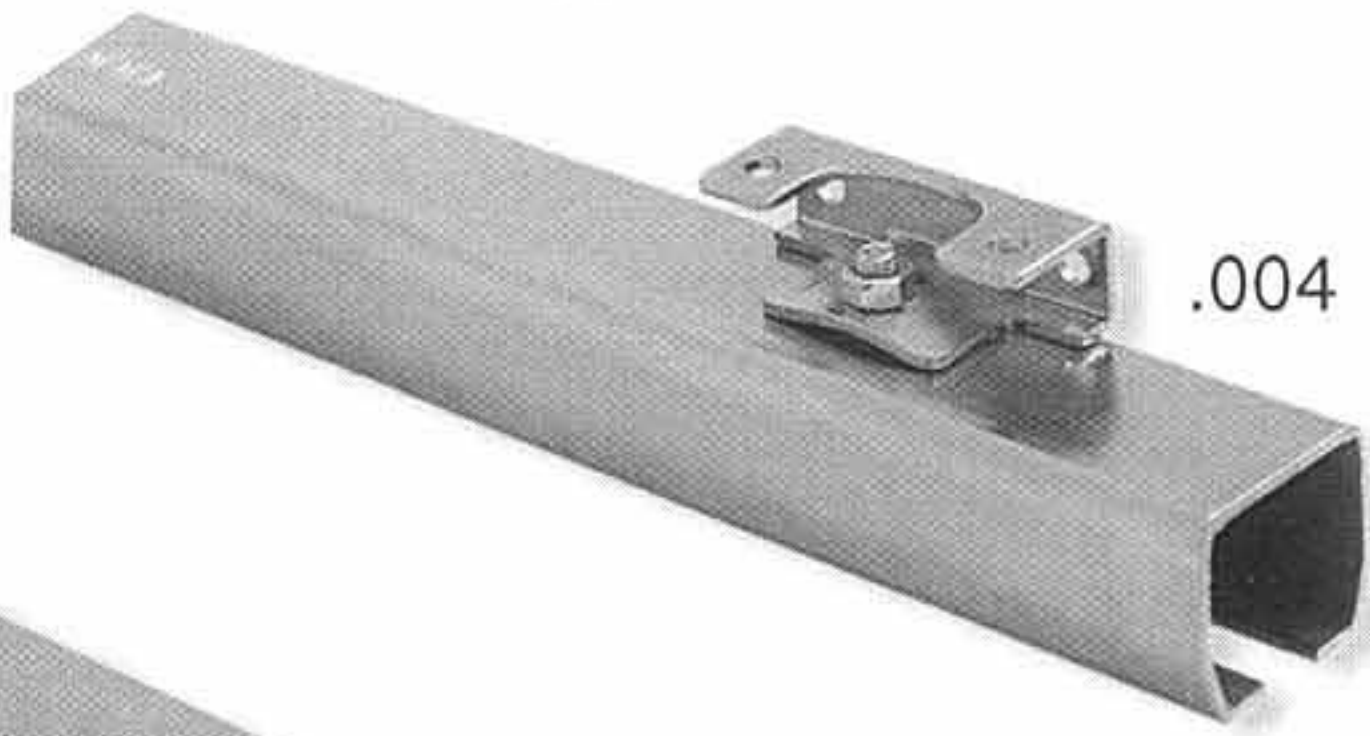
.R45



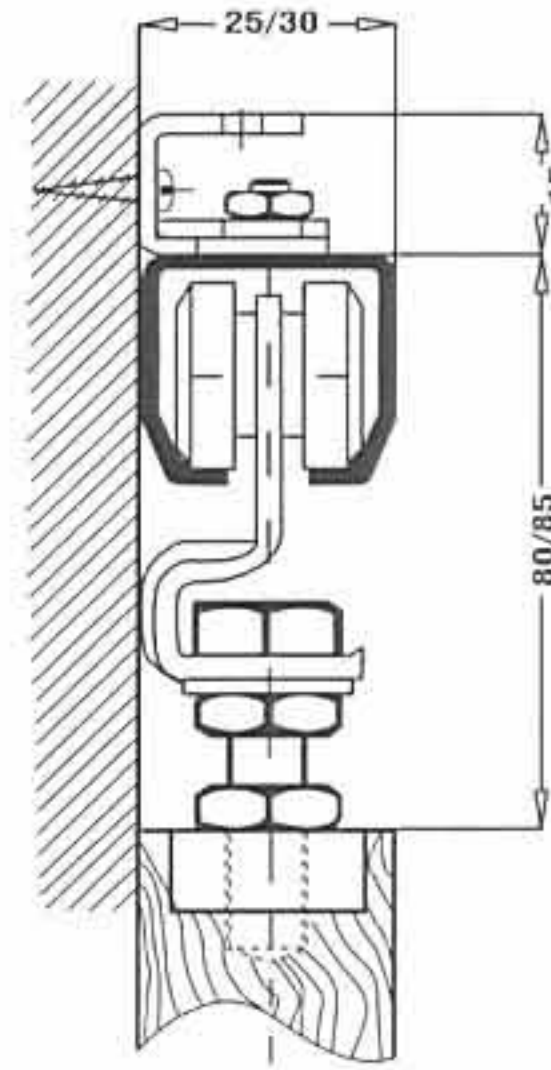
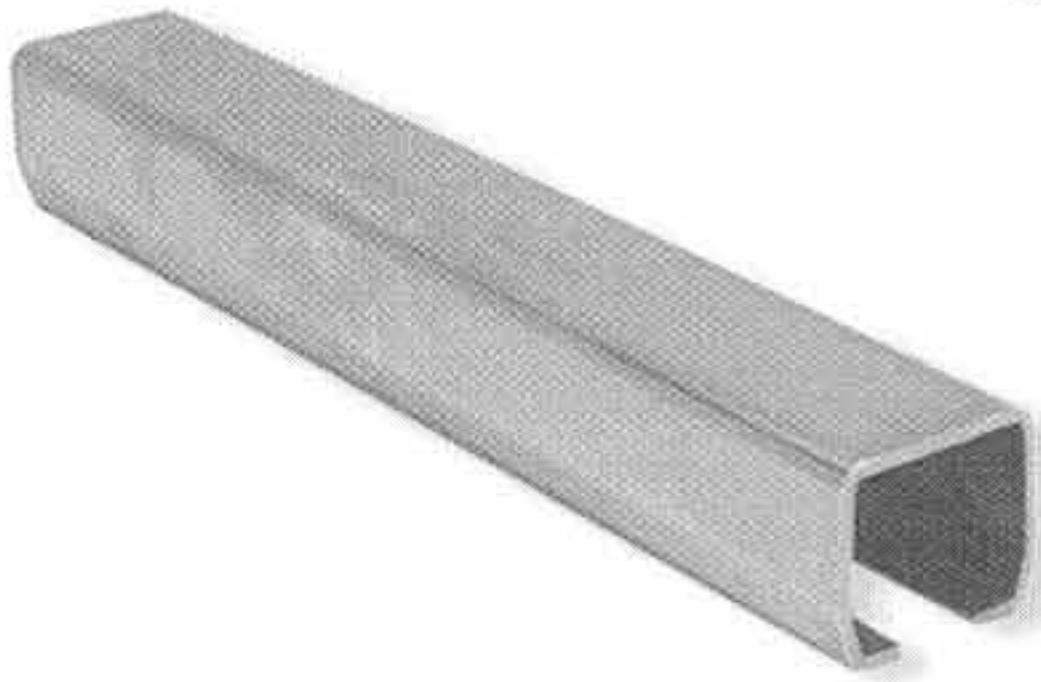
.R01

NIKO SERIES 12. & 21.

WITH STEEL TRACK FOR PANEL WEIGHT UP TO 75kg



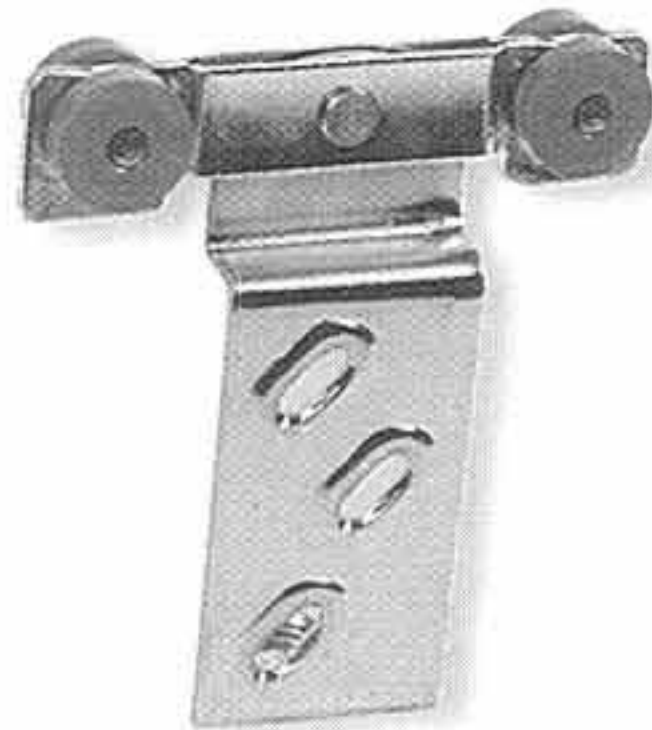
.004



.R13



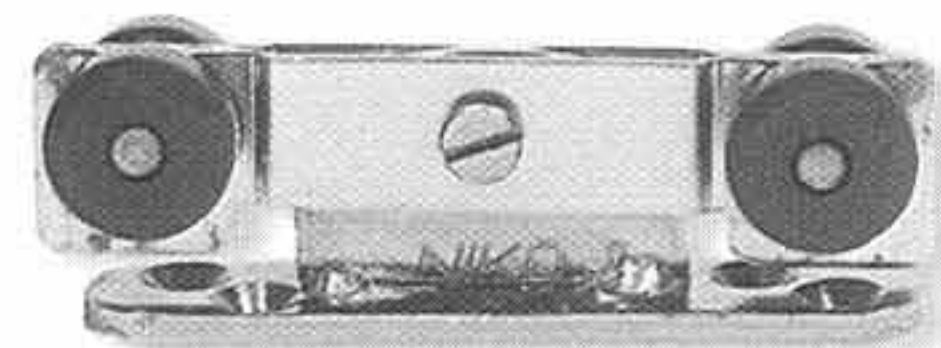
.R14



.R04



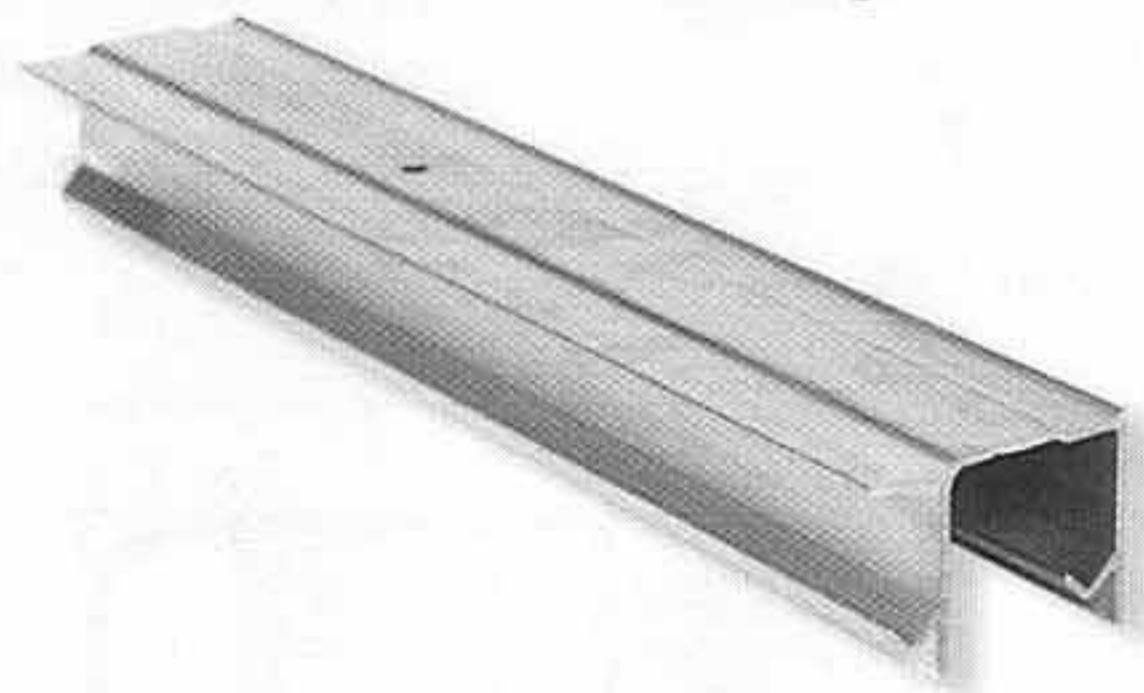
.R15



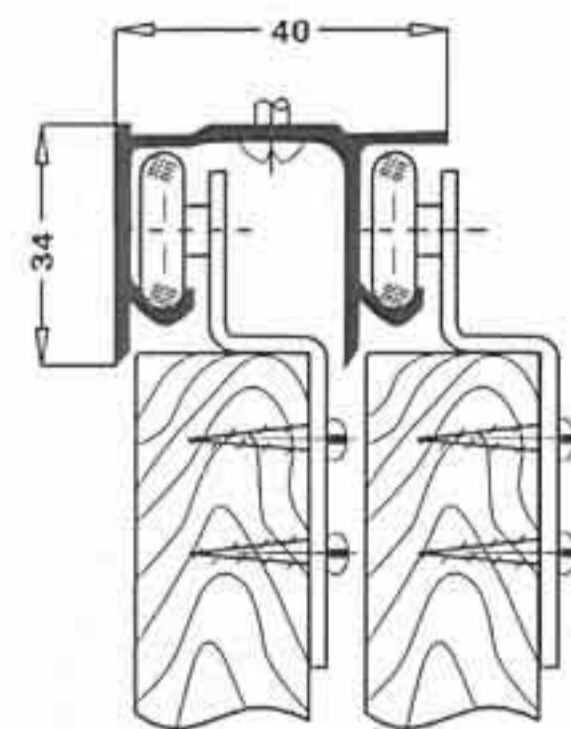
.R05

NIKO SERIES 01.

FITTINGS FOR SLIDING PANELS IN WARDROBES, LIBRARIES, SHOW WINDOWS ETC.
FOR PANEL WEIGHT UP TO 30kg



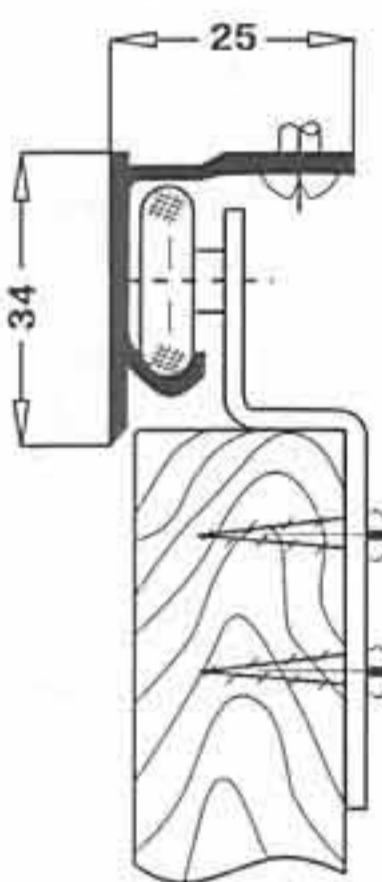
WITH DOUBLE ALUMINIUM TRACK



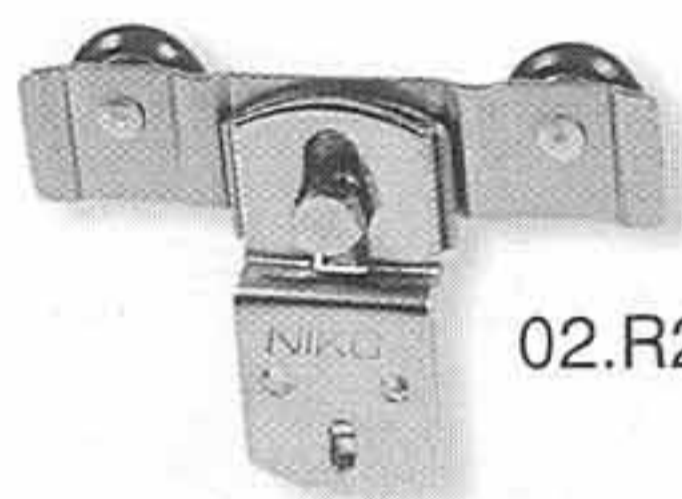
01.R25



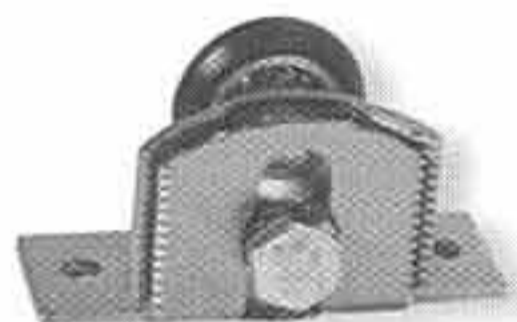
WITH SINGLE ALUMINIUM TRACK



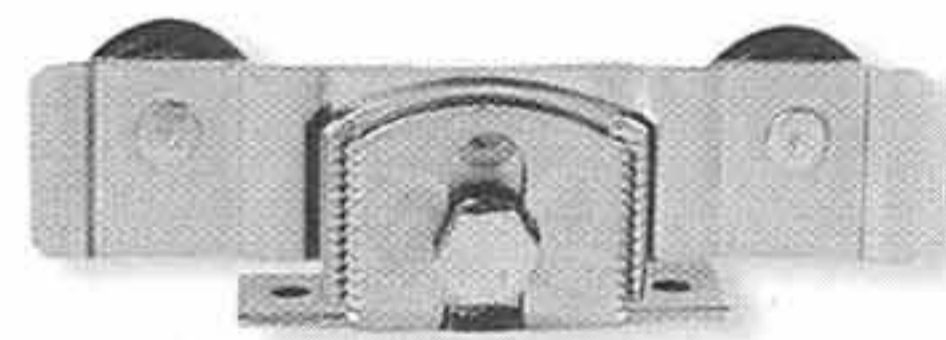
02.R25



02.R26



02.R28

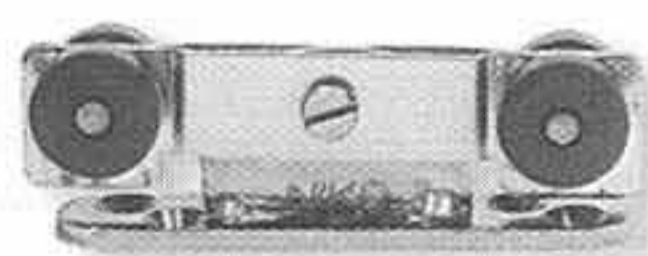


02.R29

WHEEL HANGERS AND OTHER SLIDING DOOR FITTINGS



11.B49



12.R05



12.R14



12.R13



12.R04

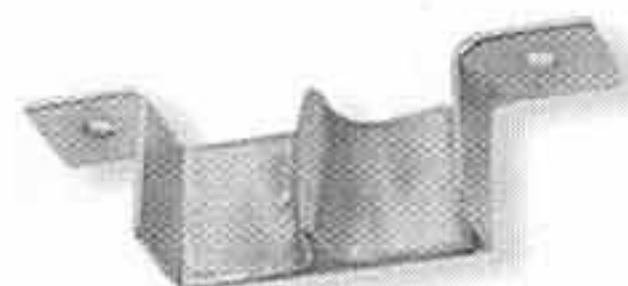
12.X01



12.R43



38.U40



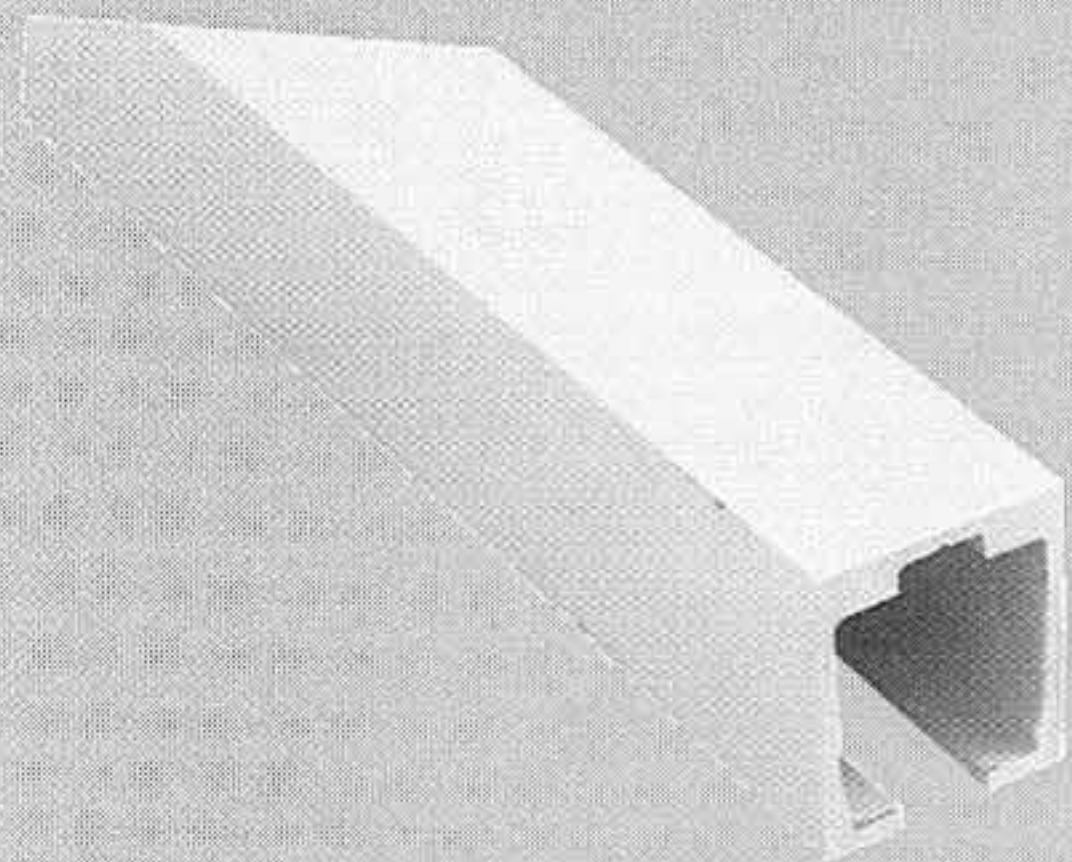
38.U45

NIKO SERIES 08.

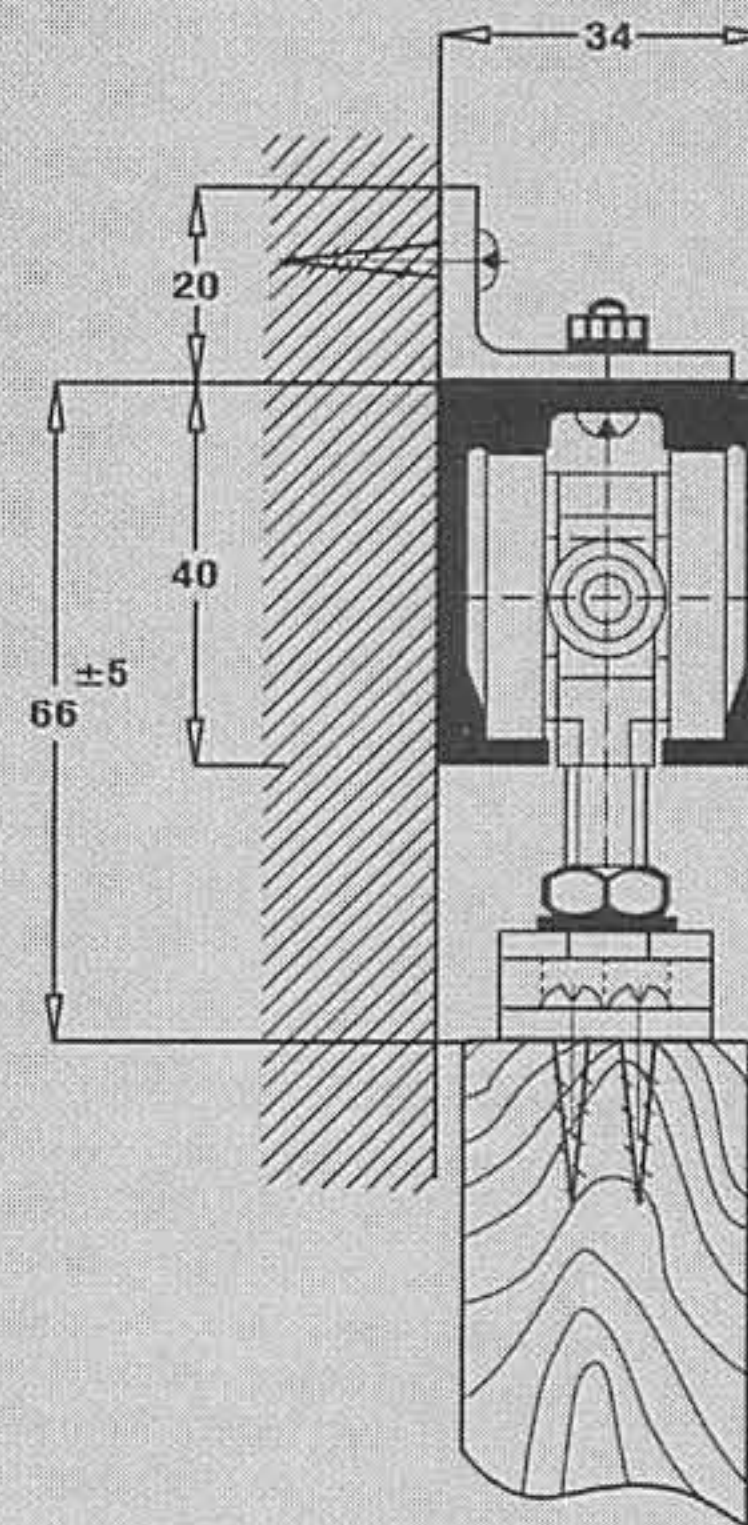
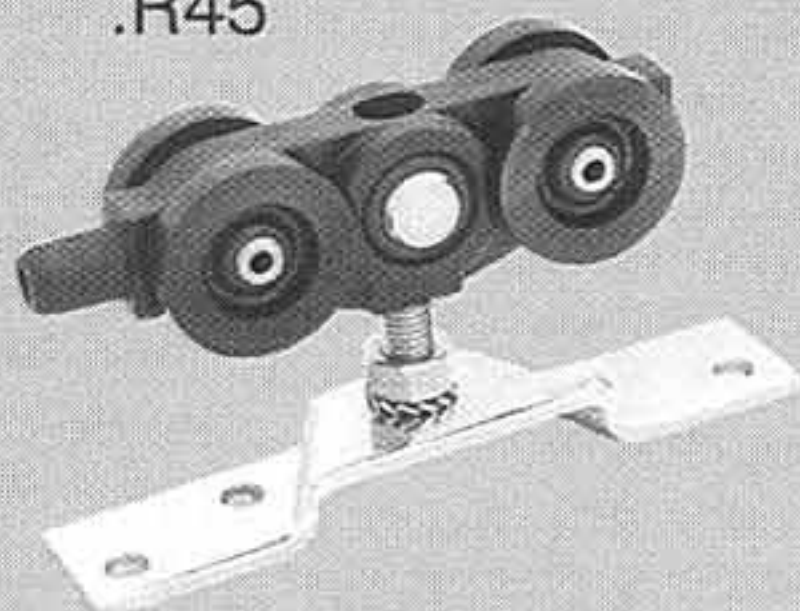
NEW PRODUCT

ZEUS LLK SERIES

WITH STAINLESS STEEL PARTS, FOR PANEL WEIGHT UP TO 125kg

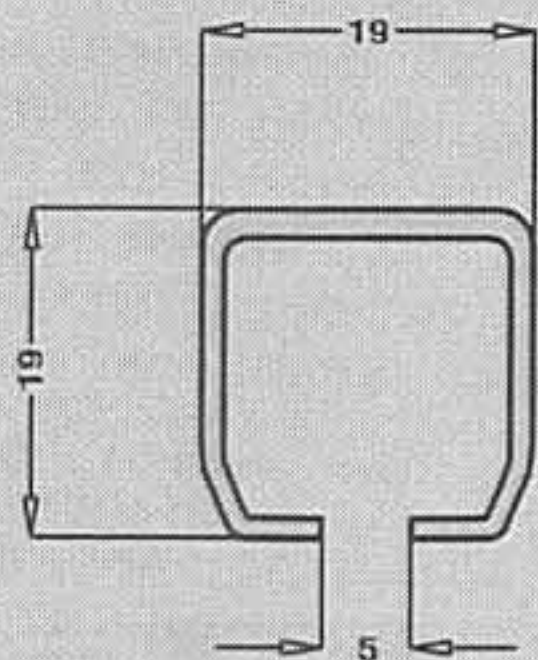


.R45

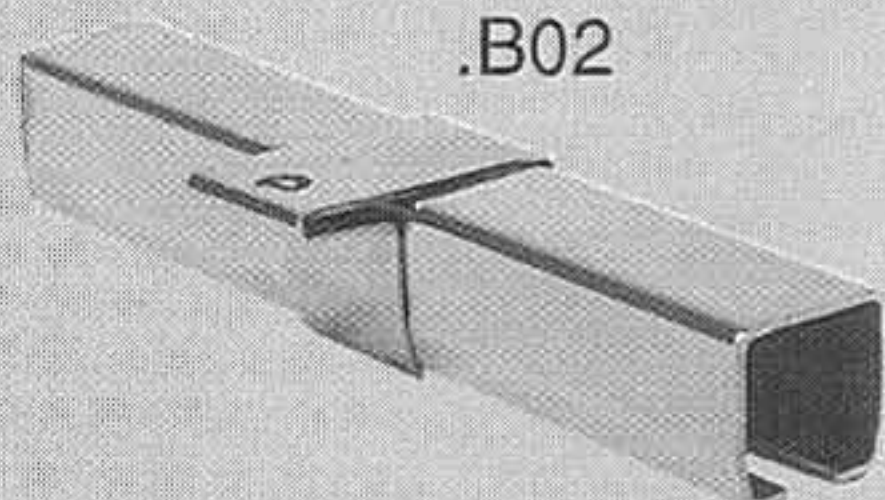


NIKO SERIES 11.

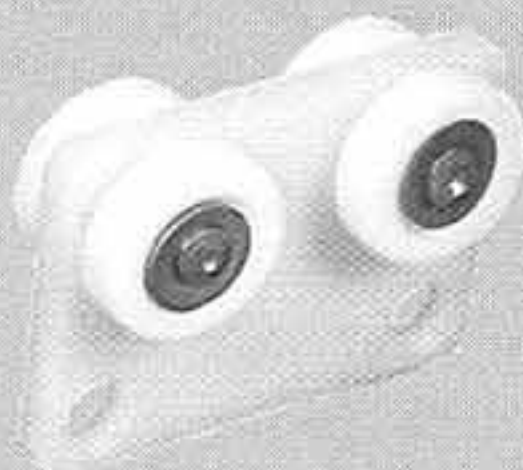
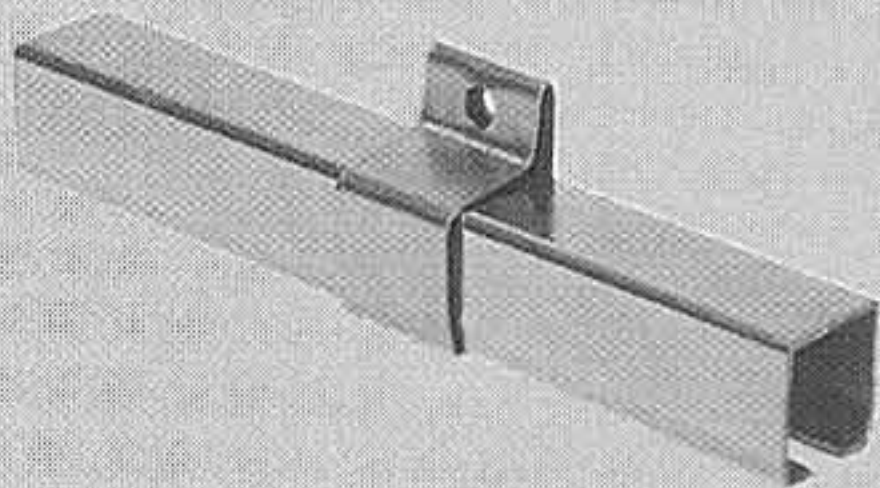
WITH STEEL/ALUMINIUM TRACK FOR LIGHT PANELS UP TO 13kg
ALSO FOR CURTAINS AND SLIDING GLASS PANELS FOR SHOW WINDOWS



.B02



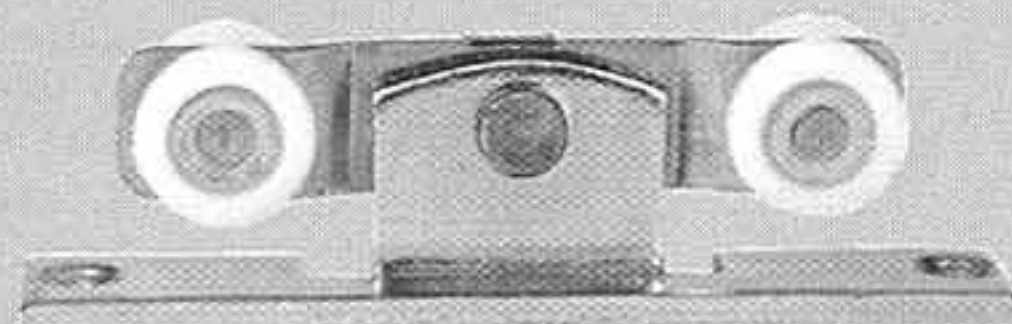
.B01



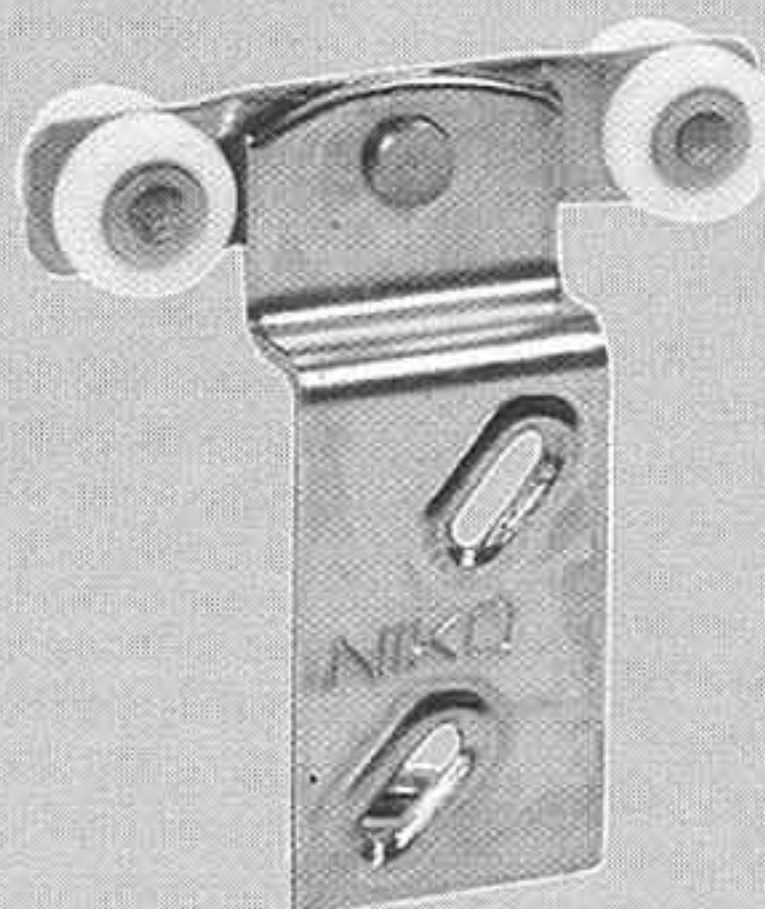
.R32



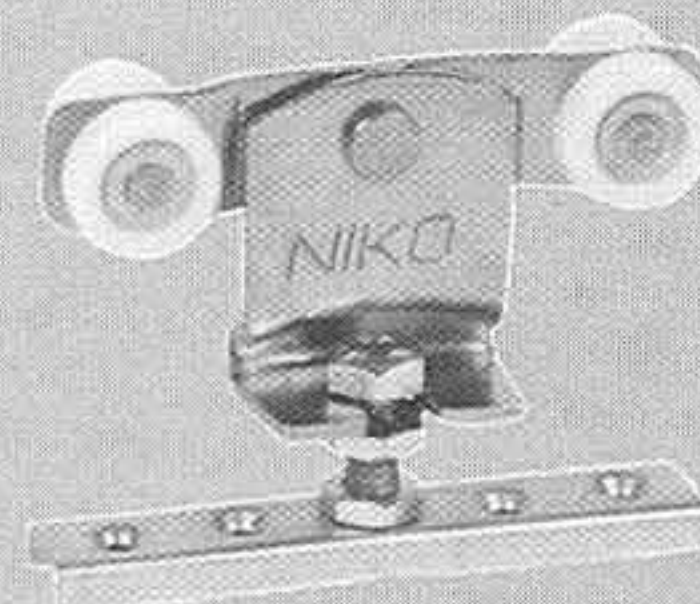
.R31



.R05



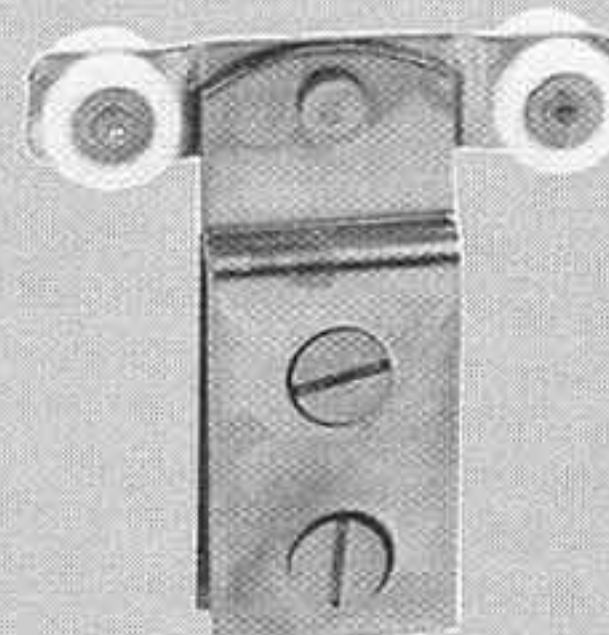
.R04



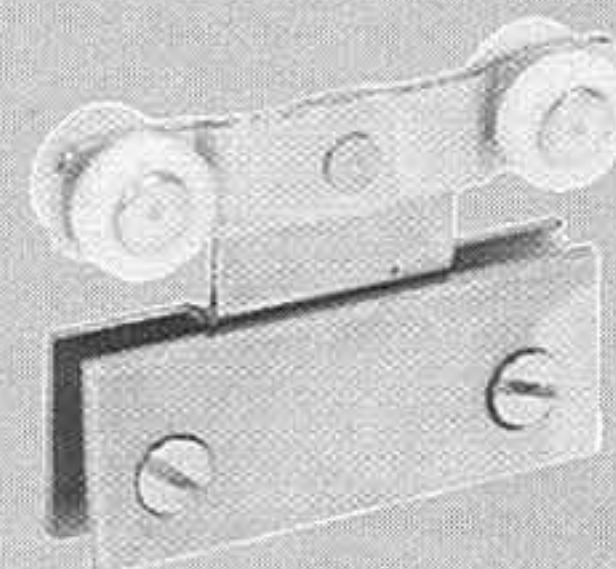
.R01



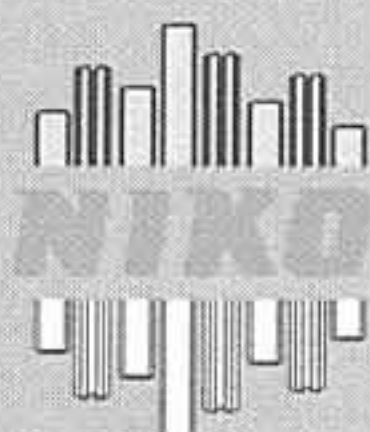
.R10



.R40



.R41



NIKO HELM HELLAS S.A.

MANUFACTURERS OF SLIDING DOOR FITTINGS AND CONVEYORS SYSTEMS

82 KM. ATHENS - KORINTHOS, 201 00 KORINTH, P.O. BOX 209, GREECE
TEL.: 0030 741 085.803-6, FAX: 0030 741 025.368, www.niko.gr

