

Section 2

Transition Strips

Information to ensure the correct selection of transition strips along with details of colour availability. Details of all Gradus transition strips and specialist floor trims can be found in this section.

Transition Strip Colours

Bronze / Brass

Polished Brass / F7



Natural Brass



Polished Bronze



Below is a selection of specialist finishes that are applied to a polished brass material.

Polished Chrome



Satin Chrome



Bright Stainless Steel



Brushed Stainless Steel



Pearl Nickel



Satin Nickel



Antique Brass



Antique Bronze



CH1 High Gloss Chrome



CH2 Matt Brushed Chrome



Aluminium

Mill Finish / Natural



F0 Natural



F3 Polished



Below is a selection of finishes that are applied to aluminium material.

Polished Silver



Etched Silver



F4 Silver Anodised



F5 Gold Anodised



Stainless Steel

F8 Polished



F8G Matt



Pvc Standard

Black



Brown



Granite



Bluebell



Dove



Clay



Pvc Metallics

Burnt Almond



Zinc



Doublebloom



Platinum



Silver



Wood Finish

H30 - Light Oak



H20 - Dark Beech



H22 - Light Beech



H10 - Pine



H40 - Maple



The above are wood effect finishes that are applied to aluminium material.

Please note: Due to the limitations of the printing process, colours within this catalogue should not be relied upon for colour matching. An accurate colour match can only be achieved by requesting the relevant product sample(s) from Gradus Technical Support on 01625 428922.

Colour Availability

The table below can be used to show colour and finish availability of various profiles. Non-standard colours are also available and special colours can be matched upon request subject to minimum quantity and lead time. For further information contact Technical Support on 01625 428922.

Material	Colour/Finish	Luxury Trim System	Clip-Top PVC-u + Clip-Top fx + MTS PVC-u + GT61R + CET	MTS Aluminium	Design-Clip	PPS	Euro-Clip	Cable Ducts + DT + PCR + PET + T + EJC + CVT + CTR	TH495	GT61M	BU	BCT	SCSP + ETR-GF8 + MJ-F8	SCSM	Matwell Frames (FRA, RMF & UMFA) + ACS38 + ACS52 + ACT + AVR + ANT + CG + TA	ACS441 + ACS444 + ACS470S + TH382 + TH383+ JT + ET + RT	ACS462 + ACS463	AJC + JT-EB + ET-EB + TP-F4 + MJ-F4	BCS + ETR-F7 + ETR-GF7 + TP-F7	TP-CH1 + TP-CH2	AR + ETR-F0 + ETR-UFO + ETR-GF0	FRB Matwell Frame		
Bronze / Brass	● Polished Chrome	●																						
	● Satin Chrome	●																						
	● Bright Stainless Steel	●																						
	● Brushed Stainless Steel	●																						
	● Pearl Nickel	●																						
	● Satin Nickel	●																						
	● Polished Brass / F7	●																	●					
	● Natural Brass																							
	● Polished Bronze												●											●
	● Antique Brass	●																						
	● Antique Bronze	●																						
	● CH1 High Gloss Chrome																					●		
	● CH2 Matt Brushed Chrome																					●		
	Aluminium	● Polished Silver		●																				
● F3 Polished				●																				
● Mill Finish / Natural															●									
● F0 Natural																						●		
● Etched Silver				●																				
● F4 Silver Anodised					●	●											●		●					
● F5 Gold Anodised						●																		
Pvc Standard	● Black		●					●			●													
	● Brown		●					●																
	● Granite		●					●																
	● Bluebell		●																					
	● Dove		●					●																
	● Clay		●																					
Pvc Metallics	● Burnt Almond										●													
	● Zinc								●	●														
	● Doubloon								●	●														
	● Platinum								●	●														
	● Silver								●	●														
Wood Finish	● H30 - Light Oak						●																	
	● H20 - Dark Beech						●																	
	● H22 - Light Beech						●																	
	● H10 - Pine						●																	
	● H40 - Maple						●																	
Stainless Steel	● F8 Polished											●												
	● F8G Matt												●											

For FCA16, Trans-Edge trims & RAM012 see individual profile pages 99, 73 and 75 respectively for details of colour availability.

Luxury Trim System



Description

The Gradus Luxury Trim System offers a premium solution for the neat finishing of junctions between flooring materials.

The solid brass profiles are available in nine opulent metal finishes for use in prestigious applications where luxury floor finishes are installed, from hotels to top-end residential developments.

The profiles are available in either a ramp or a twin top configuration with a choice of bases and heights to suit a wide range of floorcoverings.

Profile Information

- Profiles suitable for interior use
- Tops clip in to bases to accommodate floorcoverings between 8mm and 16mm thick

Installation Advice

- Compressed thickness of carpet should always be a tight fit to the internal gauge of the combined top/base
- When installed with natural floorcoverings e.g. ceramics or wood, a suitable gap must be left between the profile base and the flooring to allow for natural expansion
- Bases should always be fitted on top of resilient floorcoverings when used in a ramp configuration
- Bases should be fitted using cartridge adhesive and screw fixings

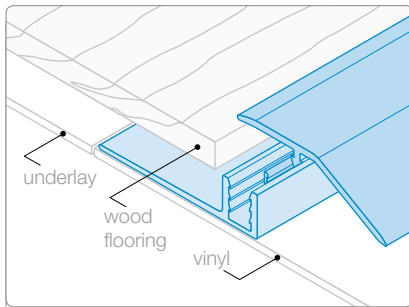
Colour

- For larger colour swatches see page 52.

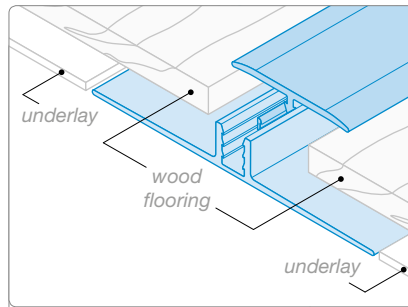
Luxury Trim System



Visit: www.gradusworld.com to download: AutoCAD drawings, Gradus & NBS Specifications, Cleaning & Maintenance, Installation Guidelines and Health & Safety Data Sheets.



SFBR37/AFT398 wood flooring to vinyl



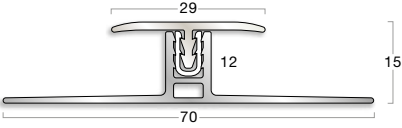
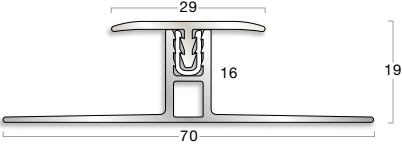
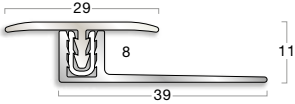
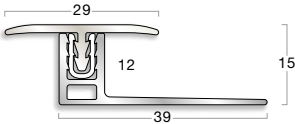
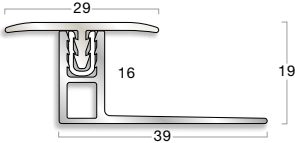
SFBT29/AFT708 wood flooring



CODE / PROFILE	MATERIAL	LENGTH	COLOURS / FINISHES
SFBR37 / AFT398 	Brass Top with PVC-u Connector & Aluminium Base Base available with or without carpet gripper	2.715m 0.9m	<ul style="list-style-type: none"> ● Polished Chrome ● Satin Chrome ● Bright Stainless Steel ● Brushed Stainless Steel ● Pearl Nickel ● Satin Nickel ● Polished Brass ● Antique Brass ● Antique Bronze (0.9m only)
SFBR37 / AFT3912 	Brass Top with PVC-u Connector & Aluminium Base Base available with or without carpet gripper	2.715m 0.9m	<ul style="list-style-type: none"> ● Polished Chrome ● Satin Chrome ● Bright Stainless Steel ● Brushed Stainless Steel ● Pearl Nickel ● Satin Nickel ● Polished Brass ● Antique Brass ● Antique Bronze (0.9m only)
SFBR37 / AFT3916 	Brass Top with PVC-u Connector & Aluminium Base Base available with or without carpet gripper	2.715m 0.9m	<ul style="list-style-type: none"> ● Polished Chrome ● Satin Chrome ● Bright Stainless Steel ● Brushed Stainless Steel ● Pearl Nickel ● Satin Nickel ● Polished Brass ● Antique Brass ● Antique Bronze (0.9m only)
SFBT29 / AFT708 	Brass Top with PVC-u Connector & Aluminium Base Base available with or without carpet gripper	2.715m 0.9m	<ul style="list-style-type: none"> ● Polished Chrome ● Satin Chrome ● Bright Stainless Steel ● Brushed Stainless Steel ● Pearl Nickel ● Satin Nickel ● Polished Brass ● Antique Brass ● Antique Bronze (0.9m only)

Dimensions shown are nominal. Illustrations are 70% size in mm. Products subject to minor design alterations without notice.

Luxury Trim System

CODE / PROFILE	MATERIAL	LENGTH	COLOURS / FINISHES
SFBT29 / AFT7012 	Brass Top with PVC-u Connector & Aluminium Base Base available with or without carpet gripper	2.715m 0.9m	<ul style="list-style-type: none"> ● Polished Chrome ● Satin Chrome ● Bright Stainless Steel ● Brushed Stainless Steel ● Pearl Nickel ● Satin Nickel ● Polished Brass ● Antique Brass ● Antique Bronze (0.9m only)
SFBT29 / AFT7016 	Brass Top with PVC-u Connector & Aluminium Base Base available with or without carpet gripper	2.715m 0.9m	<ul style="list-style-type: none"> ● Polished Chrome ● Satin Chrome ● Bright Stainless Steel ● Brushed Stainless Steel ● Pearl Nickel ● Satin Nickel ● Polished Brass ● Antique Brass ● Antique Bronze (0.9m only)
SFBT29 / AFT398 	Brass Top with PVC-u Connector & Aluminium Base Base available with or without carpet gripper	2.715m 0.9m	<ul style="list-style-type: none"> ● Polished Chrome ● Satin Chrome ● Bright Stainless Steel ● Brushed Stainless Steel ● Pearl Nickel ● Satin Nickel ● Polished Brass ● Antique Brass ● Antique Bronze (0.9m only)
SFBT29 / AFT3912 	Brass Top with PVC-u Connector & Aluminium Base Base available with or without carpet gripper	2.715m 0.9m	<ul style="list-style-type: none"> ● Polished Chrome ● Satin Chrome ● Bright Stainless Steel ● Brushed Stainless Steel ● Pearl Nickel ● Satin Nickel ● Polished Brass ● Antique Brass ● Antique Bronze (0.9m only)
SFBT29 / AFT3916 	Brass Top with PVC-u Connector & Aluminium Base Base available with or without carpet gripper	2.715m 0.9m	<ul style="list-style-type: none"> ● Polished Chrome ● Satin Chrome ● Bright Stainless Steel ● Brushed Stainless Steel ● Pearl Nickel ● Satin Nickel ● Polished Brass ● Antique Brass ● Antique Bronze (0.9m only)

Dimensions shown are nominal. Illustrations are 70% size in mm. Products subject to minor design alterations without notice.

MTS Multi-Trim System™



Edmund Sumner/View.

Description

MTS Multi-Trim System is a versatile and simple solution for common interfaces between flooring materials.

Tops are aluminium or PVC-u and can be clipped into the bases at different heights to accommodate various floorcoverings, offering more flexibility in use.

MTS offers a neat finish to commonly found junctions in commercial applications, and is ideal for use with floorcoverings that require room for expansion such as wood, wood laminate, ceramics and terrazzo.

Suitable for use in medium pedestrian and trolley traffic applications, e.g. high street shops, schools, hotels and offices.

Profile Information

- Profiles suitable for interior use
- Tops can be clipped into bases at variable heights to accommodate a wider range of floorcoverings



Denotes PVC-u profiles can be curved on-site, see individual profiles for minimum radius

Installation Advice

- Compressed thickness of carpet should always be a tight fit to the internal gauge of the combined top / base
- When installed with ceramics, wood or wood laminate flooring a suitable gap must be left between the profile base and the flooring to allow for natural expansion
- Bases should be fitted using cartridge adhesive and screw fixings

Colour

- For larger colour swatches see page 52

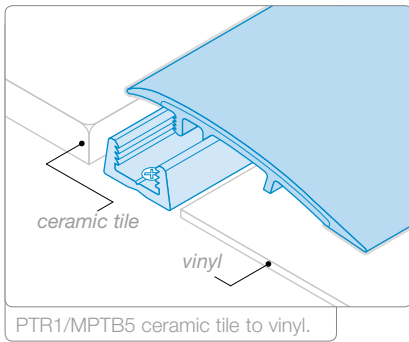


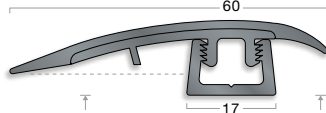
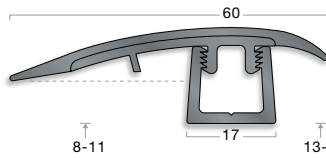
MTS PVC-u bases contain up to 100% recycled content.

MTS Multi-Trim System™ - PVC-u



Visit: www.gradusworld.com to download: AutoCAD drawings, Gradus & NBS Specifications, Cleaning & Maintenance, Installation Guidelines and Health & Safety Data Sheets.



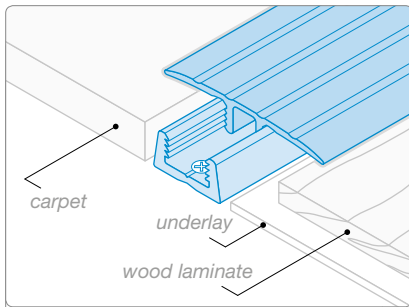
CODE / PROFILE	MATERIAL	LENGTH	COLOURS / FINISHES
PTT1 / MPTB5 	PVC-u Top PVC-u Base	2.70m	<ul style="list-style-type: none"> ● Black ● Brown ● Granite ● Bluebell ● Dove ● Clay
PTT1 / MPTB12 	PVC-u Top PVC-u Base	2.70m	<ul style="list-style-type: none"> ● Black ● Brown ● Granite ● Bluebell ● Dove ● Clay
PTT1 / MPTB16 	PVC-u Top PVC-u Base	2.70m	<ul style="list-style-type: none"> ● Black ● Brown ● Granite ● Bluebell ● Dove ● Clay
PTR1 / MPTB5 	PVC-u Top PVC-u Base	2.70m	<ul style="list-style-type: none"> ● Black ● Brown ● Granite ● Bluebell ● Dove ● Clay
PTR1 / MPTB12 	PVC-u Top PVC-u Base	2.70m	<ul style="list-style-type: none"> ● Black ● Brown ● Granite ● Bluebell ● Dove ● Clay
PTR1 / MPTB16 	PVC-u Top PVC-u Base	2.70m	<ul style="list-style-type: none"> ● Black ● Brown ● Granite ● Bluebell ● Dove ● Clay

Dimensions shown are nominal. Illustrations are 70% size in mm. Products subject to minor design alterations without notice.

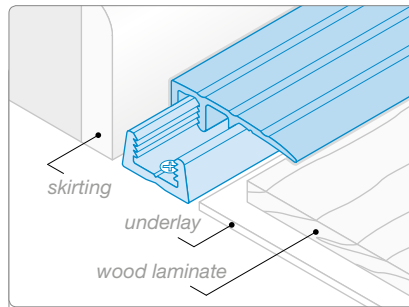
MTS Multi-Trim System™ - Aluminium



Visit: www.gradusworld.com to download: AutoCAD drawings, Gradus & NBS Specifications, Cleaning & Maintenance, Installation Guidelines and Health & Safety Data Sheets.



ATT42/PBT12 carpet to wood laminate.



ATB33/PBT12 wood laminate to skirting.

CODE / PROFILE	MATERIAL	LENGTH	COLOURS / FINISHES
ATT42 / PBT12 	Aluminium Top PVC-u Base	2.70m	<ul style="list-style-type: none"> ● Polished Silver ● Etched Silver
ATT42 / PBT16 	Aluminium Top PVC-u Base	2.70m	<ul style="list-style-type: none"> ● Polished Silver ● Etched Silver
ATB33 / PBT12 	Aluminium Top PVC-u Base	2.70m	<ul style="list-style-type: none"> ● Polished Silver ● Etched Silver
ATB33 / PBT16 	Aluminium Top PVC-u Base	2.70m	<ul style="list-style-type: none"> ● Polished Silver ● Etched Silver
ATR45 / PBT12 	Aluminium Top PVC-u Base	2.70m	<ul style="list-style-type: none"> ● Polished Silver ● Etched Silver
ATR50 / PBT16 	Aluminium Top PVC-u Base	2.70m	<ul style="list-style-type: none"> ● Polished Silver ● Etched Silver

Dimensions shown are nominal. Illustrations are 70% size in mm. Products subject to minor design alterations without notice.

Clip-Top™



Description

Clip-Top is a two-piece product allowing design flexibility in commercial applications. Tops are either PVC-u or bronze. The tops can be replaced so that the colour can be altered as part of a refurbishment programme, or if a worn or damaged section needs to be changed, without renewing the base or disrupting the fitted floorcovering. Suitable for use in heavy pedestrian and medium trolley traffic applications, e.g. department stores, high street shops, hospitals, schools, hotels and offices.

Profile Information

- Tops can be replaced
- Profiles suitable for interior use only



A number of PVC-u/metallic PVC-u tops and aluminium bases can be factory fabricated to a radius shape, subject to approval of template or detailed drawing (showing radius details), by the Technical Department

Details of minimum and maximum curving radii can be found on the opposite page.

Installation Advice

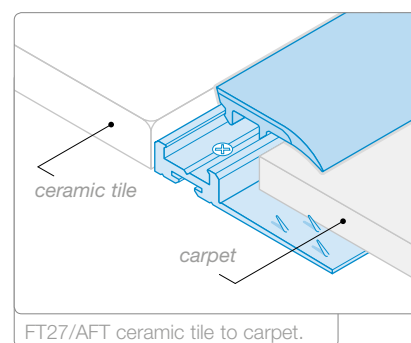
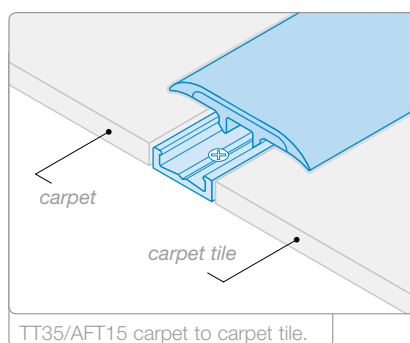
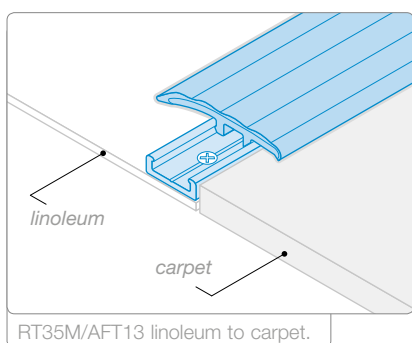
- Compressed thickness of carpet should always be a tight fit to the internal gauge of the combined top / base
- Clip-Top bases should always be fitted on top of the resilient floorcovering when used in a ramp configuration
- Bases should be fitted using cartridge adhesive and screw fixings

Colour

- For larger colour swatches see page 52



Visit: www.gradusworld.com to download: AutoCAD drawings, Gradus & NBS Specifications, Cleaning & Maintenance, Installation Guidelines and Health & Safety Data Sheets.

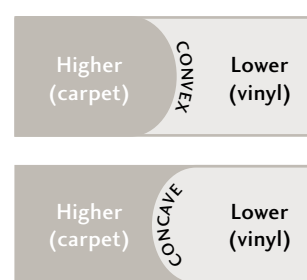


Curving Clip-Top

Curves between the minimum and maximum radii can be factory fabricated subject to approval of template or detailed drawing (showing radius details) by the Technical Department. Curves greater than the maximum radius can be curved on-site or by Gradus on request. Curves less than the minimum radius cannot be curved.

Tops		
Profile	Min. Radius mm	Max. Radius mm
FT27	250	800
RT35M	1000	3500
RT40	1000	3500
RT50	800	3500
TT25M	500	800
TT35	250	800

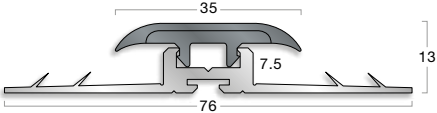
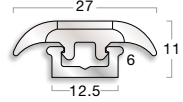

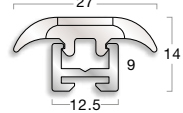

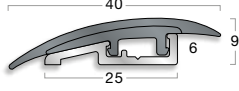

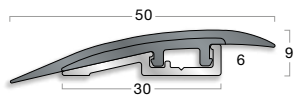

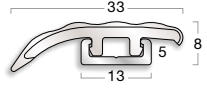

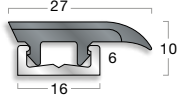

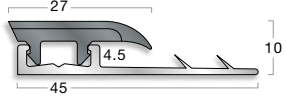
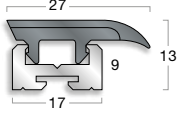

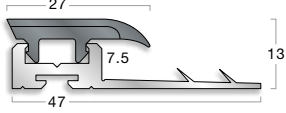
Bases		
Profile	Min. Radius mm	Max. Radius mm
AFT12	250	6000
AFT13	250	6000
AFT14	250	6000
AFT15	250	6000
AFT17	250	7000
AFT25	600	9000
AFT30	600	9000



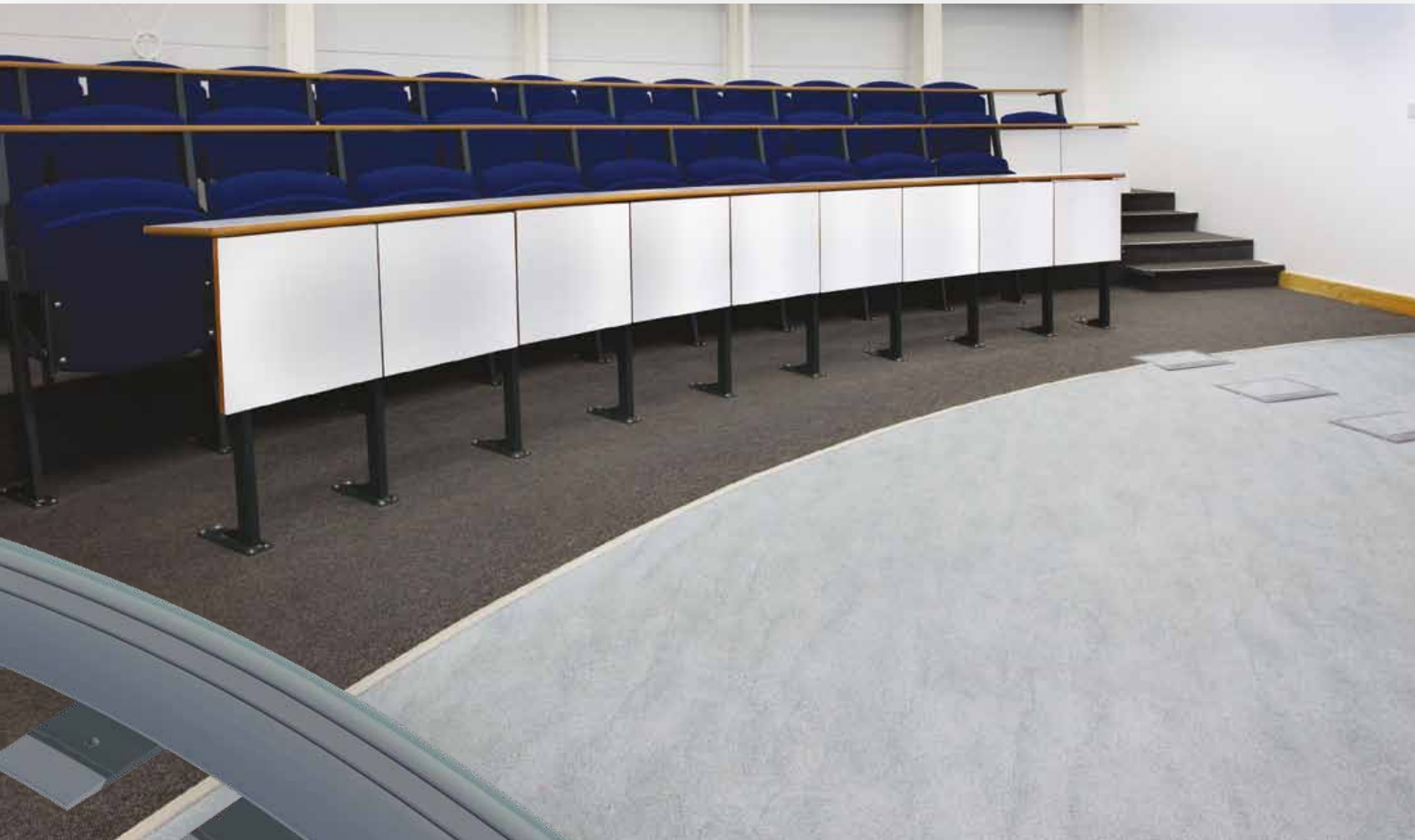
CODE / PROFILE	MATERIAL	LENGTH	COLOURS / FINISHES
TT35 / AFT45 Registered Community Design Application No 001201941 	PVC-u Top Aluminium Base Base available with or without carpet gripper	2.50m	<ul style="list-style-type: none"> ● Black ● Brown ● Granite ● Bluebell ● Dove ● Clay
TT35 / AFT15 Registered Community Design Application No 001201941 	PVC-u Top Aluminium Base Base available with or without carpet gripper	2.50m	<ul style="list-style-type: none"> ● Black ● Brown ● Granite ● Bluebell ● Dove ● Clay
TT35 / DFT80 Registered Community Design Application No 001201941 	PVC-u Top Aluminium Base Base available with or without carpet gripper	2.50m	<ul style="list-style-type: none"> ● Black ● Brown ● Granite ● Bluebell ● Dove ● Clay
TT35 / AFT17 Registered Community Design Application No 001201941 	PVC-u Top Aluminium Base Base available with or without carpet gripper	2.50m	<ul style="list-style-type: none"> ● Black ● Brown ● Granite ● Bluebell ● Dove ● Clay
TT35 / AFT Registered Community Design Application No 001201941 	PVC-u Top Aluminium Base Base available with or without carpet gripper	2.50m	<ul style="list-style-type: none"> ● Black ● Brown ● Granite ● Bluebell ● Dove ● Clay

Dimensions shown are nominal. Illustrations are 70% size in mm. Products subject to minor design alterations without notice.

Clip-Top™

CODE / PROFILE	MATERIAL	LENGTH	COLOURS / FINISHES
TT35 / DFT Registered Community Design Application No 001201941 	PVC-u Top Aluminium Base Base available with or without carpet gripper	2.50m	<ul style="list-style-type: none"> ● Black ● Brown ● Granite ● Bluebell ● Dove ● Clay
TT25M / AFT14 	 page 61 Replaceable Tops	2.50m	<ul style="list-style-type: none"> ● Burnt Almond ● Zinc ● Doublebloom ● Platinum ● Silver
TT25M / AFT12 	 page 61 Replaceable Tops	2.50m	<ul style="list-style-type: none"> ● Burnt Almond ● Zinc ● Doublebloom ● Platinum ● Silver
RT40 / AFT25 Registered Community Design Application No 001201941 	 page 61 Replaceable Tops	2.50m	<ul style="list-style-type: none"> ● Black ● Brown ● Granite ● Bluebell ● Dove ● Clay
RT50 / AFT30 Registered Community Design Application No 001201941 	 page 61 Replaceable Tops	2.50m	<ul style="list-style-type: none"> ● Black ● Brown ● Granite ● Bluebell ● Dove ● Clay
RT35M / AFT13 	 page 61 Replaceable Tops	2.50m	<ul style="list-style-type: none"> ● Burnt Almond ● Zinc ● Doublebloom ● Platinum ● Silver
FT27 / AFT15 	 page 61 Replaceable Tops	2.50m	<ul style="list-style-type: none"> ● Black ● Brown ● Granite ● Bluebell ● Dove ● Clay
FT27 / AFT45 	Replaceable Tops	2.50m	<ul style="list-style-type: none"> ● Black ● Brown ● Granite ● Bluebell ● Dove ● Clay
FT27 / AFT17 	 page 61 Replaceable Tops	2.50m	<ul style="list-style-type: none"> ● Black ● Brown ● Granite ● Bluebell ● Dove ● Clay
FT27 / AFT 	Replaceable Tops	2.50m	<ul style="list-style-type: none"> ● Black ● Brown ● Granite ● Bluebell ● Dove ● Clay


Dimensions shown are nominal. Illustrations are 70% size in mm. Products subject to minor design alterations without notice.



Description

Clip-Top fx is a two-piece product allowing design flexibility in most commercial applications. Tops are PVC-u and bases are PVC-u for curves and aluminium for straights. The product can be easily formed on site without the need for heat application, reducing the requirements for pre-fabricated curves. The tops can be replaced so that the colour can be altered as part of a refurbishment programme, or if a worn or damaged section needs to be changed, without renewing the base or disrupting the fitted floorcovering. Suitable for use in medium pedestrian and trolley traffic applications, e.g. high street shops, schools, hotels and offices.

Profile information

- Tops can be replaced
 - Profiles suitable for interior use only
-  Can be easily formed on site without the need for heat application when used with PVC-u bases. See individual profiles for curving radii.

Installation Advice

- Compressed thickness of carpet should always be a tight fit to the internal gauge of the combined top / base
- Clip-Top fx bases should always be fitted on top of the resilient floorcovering when used in a ramp configuration
- Bases should be fitted using cartridge adhesive and screw fixings

Colour

- For larger colour swatches see page 52

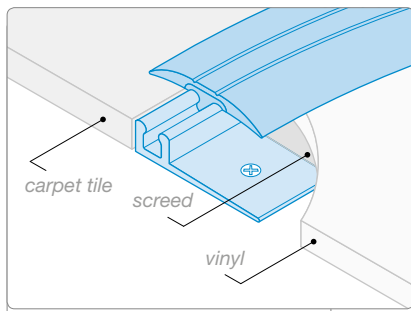


Clip-Top fx PVC-u bases contain up to 100% recycled content.

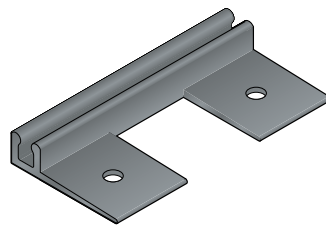
Clip-Top fx®



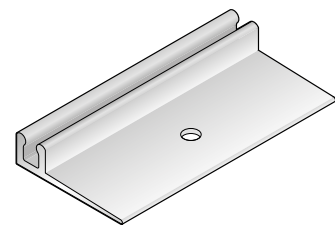
Visit: www.gradusworld.com to download: AutoCAD drawings, Gradus & NBS Specifications, Cleaning & Maintenance, Installation Guidelines and Health & Safety Data Sheets.



FXT31/FXB336 carpet tile to vinyl.



PVC-u bases are pre-punched with tabs and fixing holes for on-site curving. Latex screed should be used with resilient floorcoverings to prevent pre-punched base shadowing through.



Aluminium bases have a solid flange for straight lengths.

CODE / PROFILE	MATERIAL	LENGTH	COLOURS / FINISHES
FXT21 / FXB336 	 400mm min curve on-site Replaceable Tops	2.50m	<ul style="list-style-type: none"> Black Brown Granite Bluebell Dove Clay
FXT21 / AFT336 	 Replaceable Tops	2.50m	<ul style="list-style-type: none"> Black Brown Granite Bluebell Dove Clay
FXT21 / FXB339 	 400mm min curve on-site Replaceable Tops	2.50m	<ul style="list-style-type: none"> Black Brown Granite Bluebell Dove Clay
FXT21 / AFT339 	 Replaceable Tops	2.50m	<ul style="list-style-type: none"> Black Brown Granite Bluebell Dove Clay
FXT21 / FXB3312 	 400mm min curve on-site Replaceable Tops	2.50m	<ul style="list-style-type: none"> Black Brown Granite Bluebell Dove Clay
FXT21 / AFT3312 	 Replaceable Tops	2.50m	<ul style="list-style-type: none"> Black Brown Granite Bluebell Dove Clay

Dimensions shown are nominal. Illustrations are 70% size in mm. Products subject to minor design alterations without notice.

CODE / PROFILE		MATERIAL	LENGTH	COLOURS / FINISHES	
FXT31 / FXB336		400mm min curve on-site Replaceable Tops	PVC-u Top PVC-u Base	2.50m	<ul style="list-style-type: none"> Black Brown Granite Bluebell Dove Clay
FXT31 / AFT336		Replaceable Tops	PVC-u Top Aluminium Base	2.50m	<ul style="list-style-type: none"> Black Brown Granite Bluebell Dove Clay
FXT31 / FXB339		400mm min curve on-site Replaceable Tops	PVC-u Top PVC-u Base	2.50m	<ul style="list-style-type: none"> Black Brown Granite Bluebell Dove Clay
FXT31 / AFT339		Replaceable Tops	PVC-u Top Aluminium Base	2.50m	<ul style="list-style-type: none"> Black Brown Granite Bluebell Dove Clay
FXT31 / FXB3312		400mm min curve on-site Replaceable Tops	PVC-u Top PVC-u Base	2.50m	<ul style="list-style-type: none"> Black Brown Granite Bluebell Dove Clay
FXT31 / AFT3312		Replaceable Tops	PVC-u Top Aluminium Base	2.50m	<ul style="list-style-type: none"> Black Brown Granite Bluebell Dove Clay
FXR40 / FXB336		400mm min convex curve on-site 900mm min concave curve on-site Replaceable Tops	PVC-u Top PVC-u Base	2.50m	<ul style="list-style-type: none"> Black Brown Granite Bluebell Dove Clay
FXR40 / AFT336		Replaceable Tops	PVC-u Top Aluminium Base	2.50m	<ul style="list-style-type: none"> Black Brown Granite Bluebell Dove Clay

Dimensions shown are nominal. Illustrations are 70% size in mm. Products subject to minor design alterations without notice.

Design-Clip



Description

Design-Clip comprises two-piece aluminium profiles that provide a neat finish at junctions between hard floors such as luxury vinyl tile, wood and wood laminate. The profiles allow room for expansion in natural floorcoverings.

Profile Information

- Profiles suitable for interior use in medium traffic applications e.g. restaurants, hotels and offices.
- Tops are clipped into bases at variable heights to accommodate a variety of floorcoverings.
- Profiles accommodate floorcovering thicknesses of 4mm to 7.5mm.
- Bases are supplied pre-drilled with countersunk holes for no.4 screws.

Installation Advice

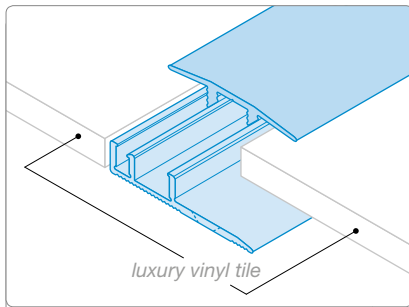
- Bases should be fitted using cartridge adhesive and screw fixings.
- When installed with floorcoverings that require room for natural expansion, a suitable gap must be left between the profile base and the floorcovering to allow for that expansion.

Colour

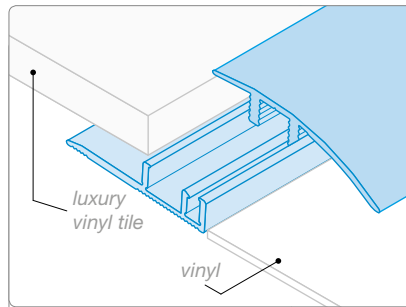
- For larger colour swatches see page 52



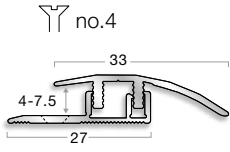



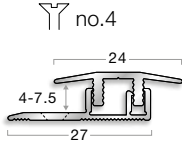



Visit: www.gradusworld.com to download: AutoCAD drawings, Gradus & NBS Specifications, Cleaning & Maintenance, Installation Guidelines and Health & Safety Data Sheets.



KC578 luxury vinyl tile to luxury vinyl tile.



KA576 luxury vinyl tile to vinyl.

CODE / PROFILE	MATERIAL	LENGTH	COLOURS / FINISHES
KA576 NEW  	Aluminium Top Aluminium Base	2.70m	<ul style="list-style-type: none">  F3 Polished  F4 Silver Anodised
KC578 NEW  	Aluminium Top Aluminium Base	2.70m	<ul style="list-style-type: none">  F3 Polished  F4 Silver Anodised

Dimensions shown are nominal. Illustrations are 70% size in mm. Products subject to minor design alterations without notice.

PPS[®] System



Description

The PPS range comprises two-piece anodised aluminium profiles that provide solutions to junctions for flooring such as wood, wood laminate and ceramic tiles. The PPS system utilises aluminium bases and tops joined together with a unique patented linking screw which allows the profiles to accommodate various heights of floorcoverings. The profiles allow room for expansion of natural floorcoverings such as wood whilst offering greater flexibility in height options.

Profile Information

- Profiles suitable for interior use in medium traffic applications, e.g. offices and restaurants
- Tops are screwed into bases at adjustable heights to accommodate a variety of floorcoverings
- Choice of gauges to accommodate thicknesses of 5mm to 18mm

Installation Advice

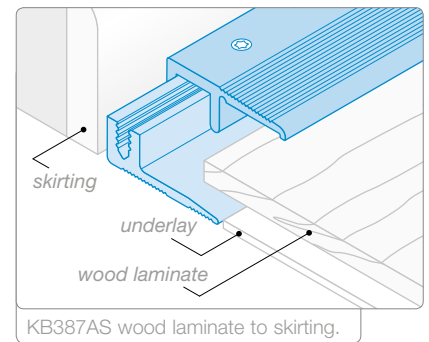
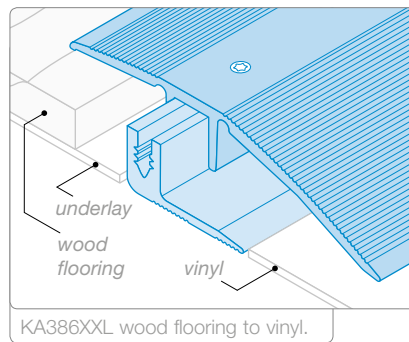
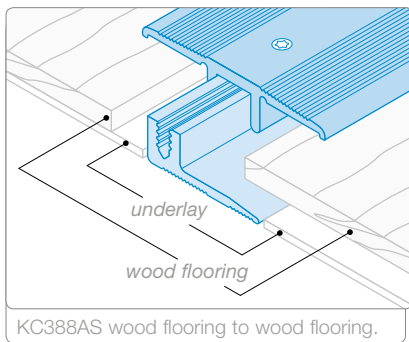
- Bases should be fitted using cartridge adhesive and screw fixings
- When installed with floorcoverings that require room for natural expansion, a suitable gap must be left between the profile base and the floorcovering to allow for that expansion

Colour

- For larger colour swatches see page 52



Visit: www.gradusworld.com to download: AutoCAD drawings, Gradus & NBS Specifications, Cleaning & Maintenance, Installation Guidelines and Health & Safety Data Sheets.



CODE / PROFILE	MATERIAL	LENGTH	COLOURS / FINISHES
KC388AS T10 Torx™ Screw Adjustable height	Aluminium Top Aluminium Base	2.70m	● F4 Silver Anodised ● F5 Gold Anodised
KC388XXL T15 Torx™ Screw Adjustable height	Aluminium Top Aluminium Base	2.70m	● F4 Silver Anodised ● F5 Gold Anodised
KA386AS T10 Torx™ Screw Adjustable height	Aluminium Top Aluminium Base	2.70m	● F4 Silver Anodised ● F5 Gold Anodised
KA386XXL T15 Torx™ Screw Adjustable height	Aluminium Top Aluminium Base	2.70m	● F4 Silver Anodised ● F5 Gold Anodised
KB387AS T10 Torx™ Screw Adjustable height	Aluminium Top Aluminium Base	2.70m	● F4 Silver Anodised ● F5 Gold Anodised
KB387XXL T15 Torx™ Screw Adjustable height	Aluminium Top Aluminium Base	2.70m	● F4 Silver Anodised ● F5 Gold Anodised

Dimensions shown are nominal. Illustrations are 70% size in mm. Products subject to minor design alterations without notice.

Euro-Clip™ System



Description

Euro-Clip is a range of two-piece wood-effect profiles for use with wood and wood laminates. The profiles allow room for expansion in natural floorcoverings.

Profile Information

- Profiles suitable for interior use in medium traffic applications, e.g. offices and restaurants
- Tops are clipped in to bases at variable heights to accommodate a variety of floorcoverings
- Choice of gauges to accommodate thicknesses of 6mm to 16mm

Installation Advice

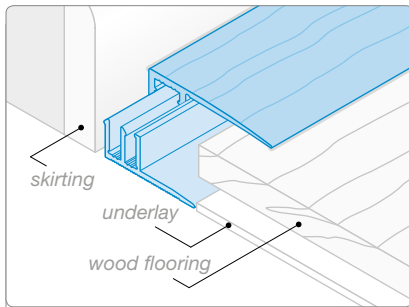
- Bases should be fitted using cartridge adhesive and screw fixings
- When installed with floorcoverings that require room for natural expansion, a suitable gap must be left between the profile base and the floorcovering to allow for that expansion

Colour

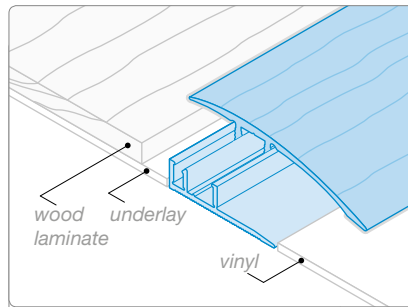
- For larger colour swatches see page 52



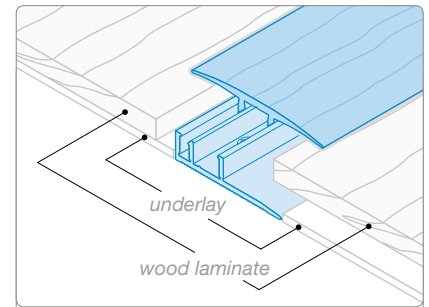
Visit: www.gradusworld.com to download: AutoCAD drawings, Gradus & NBS Specifications, Cleaning & Maintenance, Installation Guidelines and Health & Safety Data Sheets.



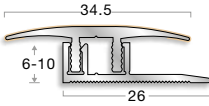

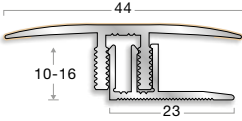

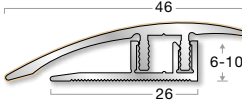

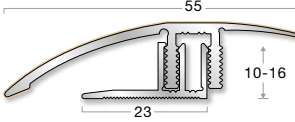

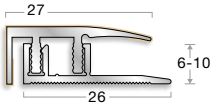

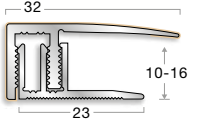

KB587H wood flooring to skirting.



KA586LH wood laminate to vinyl.



KC588LH wood laminate to wood laminate.

CODE / PROFILE	MATERIAL	LENGTH	COLOURS / FINISHES
KC588LH   Self-levelling	Aluminium Top Aluminium Base	2.70m	<ul style="list-style-type: none"> H30 Light Oak H20 Dark Beech H22 Light Beech H10 Pine H40 Maple
KC588H   Self-levelling	Aluminium Top Aluminium Base	2.70m	<ul style="list-style-type: none"> H30 Light Oak H20 Dark Beech H22 Light Beech H10 Pine H40 Maple
KA586LH   Self-levelling	Aluminium Top Aluminium Base	2.70m	<ul style="list-style-type: none"> H30 Light Oak H20 Dark Beech H22 Light Beech H10 Pine H40 Maple
KA586H   Self-levelling	Aluminium Top Aluminium Base	2.70m	<ul style="list-style-type: none"> H30 Light Oak H20 Dark Beech H22 Light Beech H10 Pine H40 Maple
KB587LH   Self-levelling	Aluminium Top Aluminium Base	2.70m	<ul style="list-style-type: none"> H30 Light Oak H20 Dark Beech H22 Light Beech H10 Pine H40 Maple
KB587H   Self-levelling	Aluminium Top Aluminium Base	2.70m	<ul style="list-style-type: none"> H30 Light Oak H20 Dark Beech H22 Light Beech H10 Pine H40 Maple

Dimensions shown are nominal. Illustrations are 70% size in mm. Products subject to minor design alterations without notice.

Trans-Edge® - Trims



Description

Trans-Edge trims have been designed for use in the most demanding environments where frequent heavy foot and wheeled traffic can be expected, e.g. railway stations, airports, transport interchanges, department stores and hospitals. Trans-Edge trims comprise an aluminium base channel with a choice of slip-resistant Elite inserts (ordered separately). Standard interior insert is available for interior dry conditions. Xtra-grip insert is available for interior areas that are at risk of becoming wet and therefore pose a higher risk of slip.

Profile Information

- Profiles suitable for interior use
- Choice of ramp or flat design

Installation Advice

- Aluminium channels are fixed using screws and cartridge adhesive. Elite insert is then fitted into channel to allow concealed fixings
- If used with carpet, compressed thickness of carpet should always be a tight fit to the internal gauge of the profile
- When installed with ceramics, wood or wood laminate flooring a suitable gap must be left between the profile and the flooring to allow for natural expansion
- Ramp profiles should always be fitted on top of resilient floorcoverings

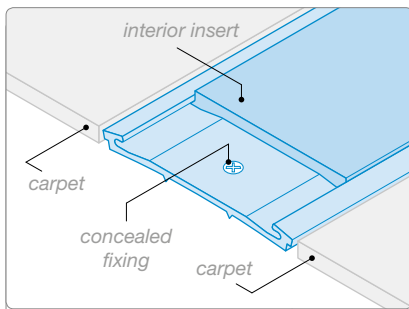
Colour

- For larger colour swatches see page 52

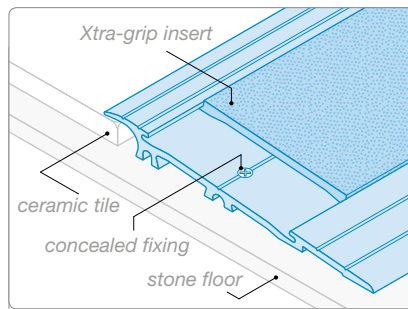
Trans-Edge® - Trims



Visit: www.gradusworld.com to download: AutoCAD drawings, Gradus & NBS Specifications, Cleaning & Maintenance, Installation Guidelines and Health & Safety Data Sheets.



ELACS5040 carpet to carpet.



ELAR950 ceramic tile to stone floor.

Elite Insert supplied separately to channel	Coil Length
ELINS30 - Interior	15m coil
ELINS40 - Interior	25m coil
ELINS50 - Interior	25m coil
ELINSXG30 - Xtra-grip	15m coil
ELINSXG50 - Xtra-grip	15m coil

CODE / PROFILE	MATERIAL	LENGTH	COLOURS / FINISHES
ELACS5040 	Aluminium PVC-u Insert (ELINS40)	2.50m See chart above	Elite Xtra-grip Insert ELINSXG All ELAR profiles ● Carbon ● Rock ● Pebble ● Zest Elite Interior Insert ELINS All ELAR & ELACS profiles ● Jet ● Coffee ● Lead ● Steel ○ Snowdrift ELACS5040 ELAR950 ELAR1250 ELAR1550 also available with ● Ink ● Burgundy ● Midnight ● Evergreen ● Ocean ● Nutmeg ● Poppy ● Cloud ● Linen ● Glacier ● Canvas ● Buttercup
ELAR530 	Aluminium PVC-u Insert (ELINS30 or ELINSXG30)	2.50m See chart above	
ELAR830 	Aluminium PVC-u Insert (ELINS30 or ELINSXG30)	2.50m See chart above	
ELAR950 	Aluminium PVC-u Insert (ELINS50 or ELINSXG50)	2.50m See chart above	
ELAR1250 	Aluminium PVC-u Insert (ELINS50 or ELINSXG50)	2.50m See chart above	
ELAR1550 	Aluminium PVC-u Insert (ELINS50 or ELINSXG50)	2.50m See chart above	
ELAR1830 	Aluminium PVC-u Insert (ELINS30 or ELINSXG30)	2.50m See chart above	

Dimensions shown are nominal. Illustrations are 70% size in mm. Products subject to minor design alterations without notice.

Matwell Frames



Description

Matwell frames are available in two options: recessed – for the creation, protection and finishing of a recess in the subfloor that is used to accommodate a primary barrier mat; ramped – for the creation of a surface matwell to secure and provide safe transition for a mat that is laid directly on top of the floor.

Profile Information

- Available pre-drilled in a variety of heights to suit different gauges of barrier matting
- Ramping frames are suitable for use with 12mm primary barrier mats (not suitable in areas subject to heavy trolley traffic)
- Frames can be mitred or shaped subject to provision and approval of template

Installation Advice

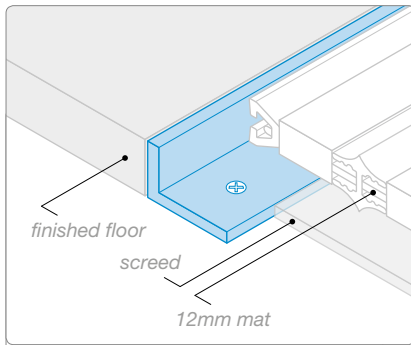
- Recessed frames should be mechanically fixed to the subfloor prior to the screed or plywood build up of the matwell base to suit the matting to be installed. Frames should be fixed to the correct levels taking into account the finished floor level and surrounding floor finish
- Ramped frames – aluminium ramps should be fixed using cartridge adhesive and screw fixings; pvc ramps are fixed with contact adhesive only
- Connectors are available for FRA and FRB frames for secure fixing of corners

Colour

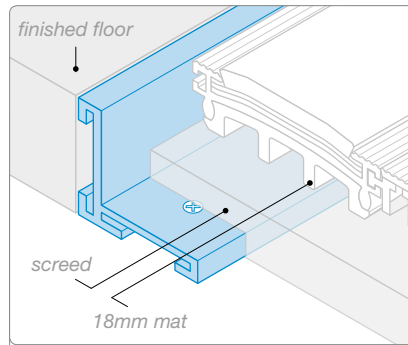
- For larger colour swatches see page 52



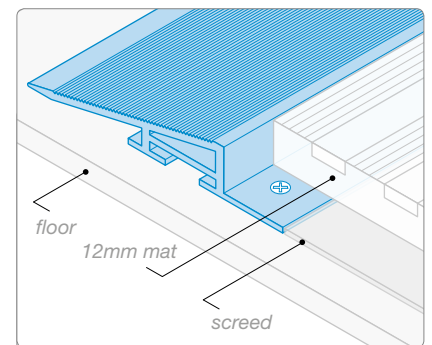
Visit: www.gradusworld.com to download: AutoCAD drawings, Gradus & NBS Specifications, Cleaning & Maintenance, Installation Guidelines and Health & Safety Data Sheets.



UMFA12 laid to accommodate a 12mm Gradus Topguard primary barrier mat.



FRA031 laid to accommodate an 18mm Gradus Esplanade Plus primary barrier mat.



RMF60 laid to accommodate a 12mm Gradus Access primary barrier mat.

CODE / PROFILE	MATERIAL	LENGTH	COLOURS / FINISHES
UMFA12 	Aluminium	2.00m	● Natural
UMFA18 	Aluminium	2.00m	● Natural
UMFA25 	Aluminium	2.00m	● Natural
FRA031 	Aluminium	2.00m	● Natural
FRB026 	Brass	3.00m	● Natural
RMF60 	Aluminium	3.00m	● Natural
RAM012 	pvc	2.50m	<ul style="list-style-type: none"> ● Black ● Grey

Dimensions shown are nominal. Illustrations are 70% size in mm. Products subject to minor design alterations without notice.