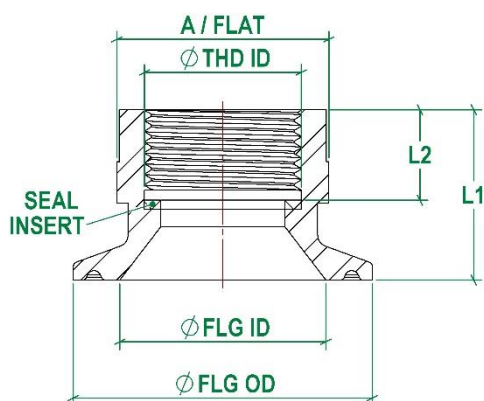


Adapters

Tri-Clamp Ferrule X BSP Female



Standard: Flowsource Process Fittings

Material: 316L Stainless Steel, EN1.4404 / PTFE Teflon

Certification: EN 10204-3.1

Surface Finish (Ext / Int): 1.2Ra Average / 0.8Ra Average Parallel Surfaces

Associated Standard: BSP Parallel

Associated Parts: TC Clamps, TC Gaskets, TC Ferrule X BSP Male

Options: Alternative Materials

Machined from Billet, All Variations Possible

Remarks: Please Contact Our Sales for Alternatives.

Adapters, TC Ferrule X BSP Female

| Size (inch) TC Ferrule X BSP Female | FLG OD (mm) | FLG ID (mm) | THD ID (G Inch) | A Flat (mm) | L2 (mm) | L1 (mm) | Part Code |
|--|----------------|----------------|--------------------|----------------|------------|------------|----------------|
| 0.500" X 0.125" | 25.40 | 9.40 | 1/8" | 18.80 | 9.10 | 22.10 | A.CFBF.050.013 |
| 0.500" X 0.250" | 25.40 | 9.40 | 1/4" | 21.80 | 10.10 | 23.10 | A.CFBF.050.025 |
| 0.500" X 0.380" | 25.40 | 9.40 | 3/8" | 26.80 | 11.10 | 25.50 | A.CFBF.050.038 |
| 0.500" X 0.500" | 25.40 | 9.40 | 1/2" | 29.80 | 14.10 | 27.90 | A.CFBF.050.050 |
| 0.750" X 0.125" | 25.40 | 15.75 | 1/8" | 18.80 | 9.10 | 22.10 | A.CFBF.075.013 |
| 0.750" X 0.250" | 25.40 | 15.75 | 1/4" | 21.80 | 10.10 | 23.10 | A.CFBF.075.025 |
| 0.750" X 0.380" | 25.40 | 15.75 | 3/8" | 26.80 | 11.10 | 24.10 | A.CFBF.075.038 |
| 0.750" X 0.500" | 25.40 | 15.75 | 1/2" | 29.80 | 14.10 | 27.90 | A.CFBF.075.050 |
| 0.750" x 0.750" | 25.40 | 15.75 | 3/4" | 35.80 | 15.80 | 28.80 | A.CFBF.075.075 |
| 1.000" X 0.125" | 50.50 | 22.10 | 1/8" | 18.80 | 9.10 | 22.10 | A.CFBF.100.013 |
| 1.000" X 0.250" | 50.50 | 22.10 | 1/4" | 21.80 | 10.10 | 23.10 | A.CFBF.100.025 |
| 1.000" X 0.380" | 50.50 | 22.10 | 3/8" | 26.80 | 11.10 | 24.10 | A.CFBF.100.038 |
| 1.000" X 0.500" | 50.50 | 22.10 | 1/2" | 29.80 | 14.10 | 27.90 | A.CFBF.100.050 |
| 1.000" X 0.750" | 50.50 | 22.10 | 3/4" | 35.80 | 15.80 | 28.80 | A.CFBF.100.075 |
| 1.000" X 1.000" | 50.50 | 22.10 | 1" | 45.60 | 18.10 | 31.10 | A.CFBF.100.100 |
| 1.500" X 0.125" | 50.50 | 34.80 | 1/8" | 18.80 | 9.10 | 22.10 | A.CFBF.150.013 |
| 1.500" X 0.250" | 50.50 | 34.80 | 1/4" | 21.80 | 10.10 | 23.10 | A.CFBF.150.025 |
| 1.500" X 0.380" | 50.50 | 34.80 | 3/8" | 26.80 | 11.10 | 24.10 | A.CFBF.150.038 |
| 1.500" X 0.500" | 50.50 | 34.80 | 1/2" | 29.80 | 14.10 | 27.90 | A.CFBF.150.050 |
| 1.500" X 0.750" | 50.50 | 34.80 | 3/4" | 35.80 | 15.80 | 28.80 | A.CFBF.150.075 |
| 1.500" X 1.000" | 50.50 | 34.80 | 1" | 45.60 | 18.10 | 31.10 | A.CFBF.150.100 |
| 1.500" X 1.250" | 50.50 | 34.80 | 1 1/4" | 53.80 | 19.10 | 36.10 | A.CFBF.150.125 |
| 1.500" X 1.500" | 50.50 | 34.80 | 1 1/2" | 59.80 | 21.10 | 39.10 | A.CFBF.150.150 |
| 2.000" X 0.500" | 64.00 | 47.50 | 1/2" | 29.80 | 14.10 | 27.90 | A.CFBF.200.050 |
| 2.000" X 0.750" | 64.00 | 47.50 | 3/4" | 35.80 | 15.80 | 28.80 | A.CFBF.200.075 |
| 2.000" X 1.000" | 64.00 | 47.50 | 1" | 45.60 | 18.10 | 31.10 | A.CFBF.200.100 |
| 2.000" X 1.250" | 64.00 | 47.50 | 1 1/4" | 53.80 | 19.10 | 36.10 | A.CFBF.200.125 |
| 2.000" X 1.500" | 64.00 | 47.50 | 1 1/2" | 59.80 | 21.10 | 39.10 | A.CFBF.200.150 |
| 2.000" X 2.000" | 64.00 | 47.50 | 2" | 73.80 | 23.10 | 42.10 | A.CFBF.200.200 |
| 2.500" X 1.000" | 77.50 | 60.20 | 1" | 45.60 | 18.10 | 31.10 | A.CFBF.250.100 |
| 2.500" X 1.250" | 77.50 | 60.20 | 1 1/4" | 53.80 | 19.10 | 36.10 | A.CFBF.250.125 |
| 2.000" X 1.500" | 77.50 | 60.20 | 1 1/2" | 59.80 | 21.10 | 39.10 | A.CFBF.250.150 |
| 2.500" X 2.000" | 77.50 | 60.20 | 2" | 73.80 | 23.10 | 42.10 | A.CFBF.250.200 |
| 2.500" X 2.500" | 77.50 | 60.20 | 2 1/2" | 90.80 | 29.00 | 48.00 | A.CFBF.250.250 |
| 3.000" X 1.000" | 91.00 | 72.90 | 1" | 45.60 | 18.10 | 31.10 | A.CFBF.300.100 |
| 3.000" X 1.250" | 91.00 | 72.90 | 1 1/4" | 53.80 | 19.10 | 36.10 | A.CFBF.300.125 |
| 3.000" X 1.500" | 91.00 | 72.90 | 1 1/2" | 59.80 | 21.10 | 39.10 | A.CFBF.300.150 |
| 3.000" X 2.000" | 91.00 | 72.90 | 2" | 73.80 | 23.10 | 42.10 | A.CFBF.300.200 |
| 3.000" X 2.500" | 91.00 | 72.90 | 2 1/2" | 90.80 | 29.00 | 48.00 | A.CFBF.300.250 |
| 3.000" X 3.000" | 91.00 | 72.90 | 3" | 107.90 | 32.00 | 51.00 | A.CFBF.300.300 |

Published Data Is Given in Good Faith. We Reserve the Right To, Without Warning Change the Dimensions When Not In Conflict With The Published Standard

Flowsource Process Fittings

Unit 2F Hockney Road Industrial Estate, West Yorkshire, BD8 9HQ, United Kingdom

[T] 01535 274 316 - [e] sales@flowsourcepf.com - [w] www.flowsourcepf.com

FLOWSOURCE
PROCESS FITTINGS