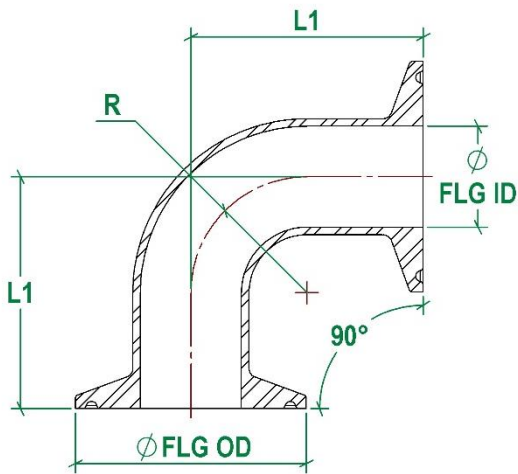


# ASME BPE Fittings

## DT-4.1.1-3 (DT-16) 90° Bends Clamp Ended



- Standard:** ASME BPE 2016, Imperial OD
- Material:** 316 Stainless Steel, EN1.4401
- Certification:** EN 10204-3.1
- Surface Finish (Internal):** SF1 - 0.51Ra Max
- Associated Standard:** ASME BPE 2009, 2012
- Associated Parts:** DT22 TC Ferrules
- Options:** SF4 – 0.38Ra & E/Polished Available Upon Request
- Remarks:** For Use in Bio-Pharmaceutical Applications

ASME BPE 2016 Fittings, DT-4.1.1-3 (DT16), 90° Bends Clamp Ended

| Size (inch) | FLG OD (mm) | FLG ID (mm) | R (mm) | L1 (mm) | Part Code         |
|-------------|-------------|-------------|--------|---------|-------------------|
| 0.500"      | 25.40       | 9.40        | 19.05  | 41.28   | BPE.DT16.0050.SF1 |
| 0.750"      | 25.40       | 15.75       | 28.58  | 41.28   | BPE.DT16.0075.SF1 |
| 1.000"      | 50.50       | 22.10       | 38.10  | 50.80   | BPE.DT16.0100.SF1 |
| 1.500"      | 50.50       | 34.80       | 57.15  | 69.85   | BPE.DT16.0150.SF1 |
| 2.000"      | 64.00       | 47.50       | 76.20  | 88.90   | BPE.DT16.0200.SF1 |
| 2.500"      | 77.50       | 60.20       | 95.25  | 107.95  | BPE.DT16.0250.SF1 |
| 3.000"      | 91.00       | 72.90       | 114.30 | 127.00  | BPE.DT16.0300.SF1 |
| 4.000"      | 119.00      | 97.38       | 152.40 | 168.28  | BPE.DT16.0400.SF1 |
| 6.000"      | 167.00      | 146.86      | 228.60 | 266.70  | BPE.DT16.0600.SF1 |

Published Data Is Given in Good Faith. We Reserve the Right To, Without Warning Change the Dimensions When Not In Conflict With The Published Standard

**Flowsource Process Fittings**

Unit 2F Hockney Road Industrial Estate, West Yorkshire, BD8 9HQ, United Kingdom  
 [T] 01535 274 316 - [e] sales@flowsourcepf.com - [w] www.flowsourcepf.com

