



Prodotte in tipologia parzialmente aderizzata, consentono di eliminare in particolare le alte frequenze e sopportare grandi carichi, per mezzo della deformazione elastica dell'elastomero sotto l'effetto delle coppie e delle forze esterne che agiscono sui tubi metallici.

La precompressione della gomma è ottenuta tramite assemblaggio forzato della parte elastomerica aderizzata al tubo interno con la parte metallica esterna.

The FBNS range of bushes are designed to eliminate high frequencies whilst supporting high loads during operation. This is achieved through elastic deformation of the rubber under the effect of the external forces being applied to the metal tubes. The bushes are manufactured with the rubber assembled to the outer tube and bonded to the inner tube.



CAMPI D'IMPIEGO - APPLICATIONS

- Giunti Elastici
- Automobili
- Macchine movimento terra
- Macchine in generale
- Flexible Joints
- Motor vehicles
- Earth moving machinery
- General machinery & equipment

REALIZZAZIONE STANDARD - STANDARD PRODUCTION

Acciaio Fe 360 (ISO 3305/3306)

Gomma naturale NR

Zincatura secondo normativa CEE esente CROMO VI, colore bianco

Tolleranza sulla rigidezza +/- 20%

Fe 360 Steel (ISO 3305/3306)

Natural rubber NR

Zinc plated in accordance with CE standards CHROME VI free, white

Stiffness tolerance +/- 20%

OPZIONI & ACCESSORI - OPTIONS & ADDITIONAL PARTS

Realizzazione in gomma di durezza e tipologia differente

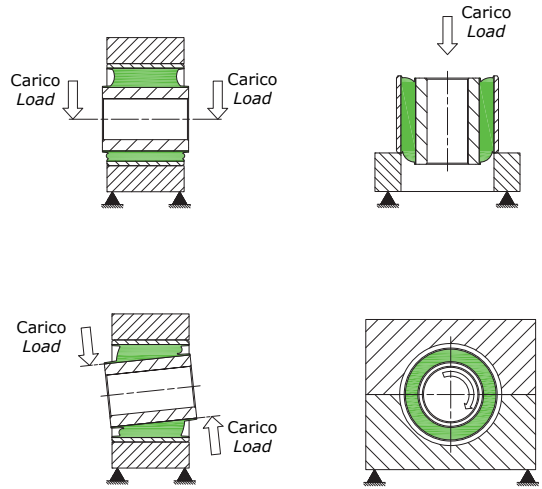
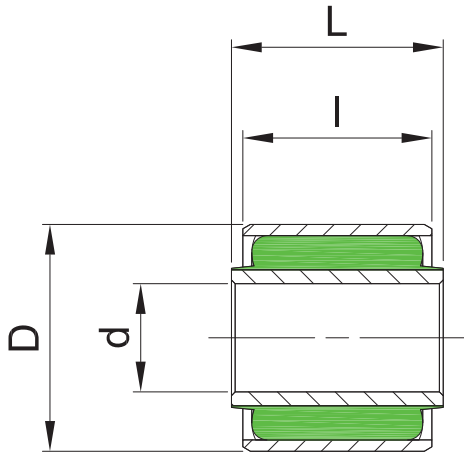
Alternative elastomeric hardness and compounds available





TIPO FBNS

TYPE FBNS



TOLLERANZE DIAMETRO INTERNO (d) INSIDE DIAMETER (d) TOLERANCES			
da from	8 mm	a to	15 mm -0 / +0,15
da from	16 mm	a to	25 mm -0 / +0,3
da from	26 mm	a to	50 mm -0 / +0,4
oltre over	51 mm	da definire to be defined	

TOLLERANZE DIAMETRO ESTERNO (D) OUTSIDE DIAMETER (D) TOLERANCES			
da from	16 mm	a to	30 mm -0 / +0,1
da from	31 mm	a to	70 mm -0 / +0,15
da from	71 mm	a to	100 mm -0 / +0,2
oltre over	101 mm	da definire to be defined	

Gli schemi sono indicativi delle forze e dei vincoli.
Approximate schemes for forces and constraints.

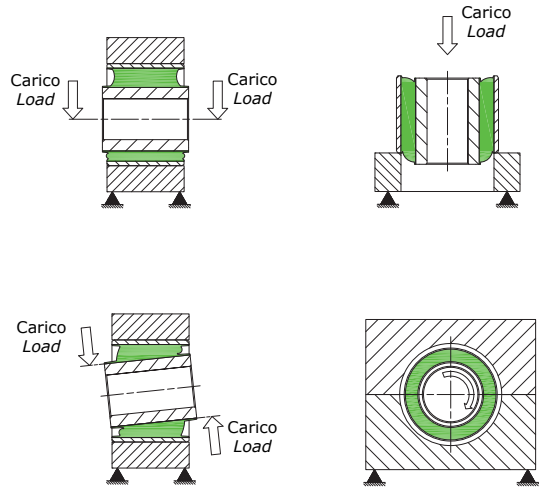
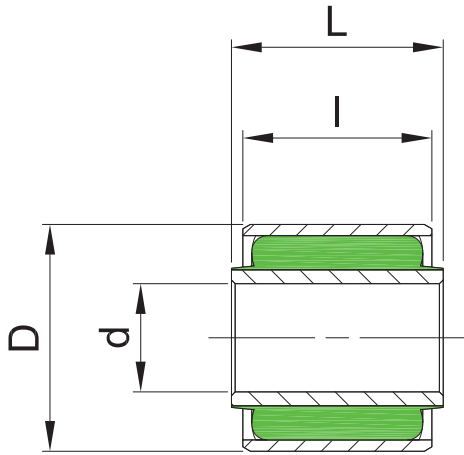
La sede di piantaggio deve garantire un'interferenza minima di 0,02 mm con tolleranza di -0,05 mm.
The driving seat must assure 0,02 mm as minimum interference with a -0,05 mm tolerance.

Tolleranze ristrette rispetto a quelle standard possono essere realizzate per prodotti specifici, previo accordo.
Subject to agreement, we are able to supply products to closer tolerances where required.

- DUREZZA STANDARD 65 IRHD
- STANDARD HARDNESS 65 IRHD

Codice	d	D	I	L	RADIALE		ASSIALE		TORSIONALE		CONICO	
					Rigidezza (daN/mm)	Deflec. Max (mm)	Rigidezza (daN/mm)	Deflec. Max (mm)	Rigidezza (Nm/°)	Ang. Max (+/-°gradi)	Rigidezza (Nm/°)	Ang. Max (+/-°gradi)
Item	d	D	I	L	RADIAL		AXIAL		TORSIONAL		CONICAL	
					Stiffness (daN/mm)	Deflec. Max (mm)	Stiffness (daN/mm)	Deflec. Max (mm)	Stiffness (Nm/°)	Angle. Max (+/-°gradi)	Stiffness (Nm/°)	Angle. Max (+/-°gradi)
FBNS0816.1415	8,2	16,0	14,0	15,0	683	0,2	49	0,2	0,36	15°	0,94	3°
FBNS0820.1421	8,2	20,0	14,0	21,0	111	0,2	20	0,2	0,24	30°	0,16	7°
FBNS0820.1517	8,2	20,0	15,0	17,0	126	0,5	22	0,2	0,26	30°	0,20	7°
FBNS0820.1519	8,2	20,0	15,0	19,0	126	0,5	22	0,8	0,26	30°	0,20	7°
FBNS0822.2023	8,2	22,0	20,0	23,0	167	0,6	27	0,6	0,35	30°	0,52	7°
FBNS0832.3440	8,2	32,0	34,0	40,0	317	0,9	48	1,2	1,31	30°	3,06	3°
FBNS1022.1517	10,0	22,0	15,0	17,0	343	0,4	37	0,4	0,54	20°	0,52	3°
FBNS1022.1519	10,0	22,0	15,0	19,0	343	0,4	37	0,8	0,54	20°	0,52	3°
FBNS1022.2023	10,0	22,0	20,0	23,0	612	0,4	54	0,6	0,75	20°	1,73	1°
FBNS1022.2530	10,0	22,0	25,0	30,0	958	0,4	73	1,0	0,95	20°	4,35	3°
FBNS1022.3033	10,0	22,0	30,0	33,0	1380	0,4	93	0,6	1,16	15°	9,19	2°
FBNS1024.1822	10,0	24,0	18,0	22,0	239	0,5	33	0,8	0,56	25°	0,56	5°

Codici producibili solo su richiesta. Lotti minimi su richiesta.
Items produced only on request. Supply quantities on request.



TOLLERANZE DIAMETRO INTERNO (d) INSIDE DIAMETER (d) TOLERANCES			
da from	8 mm	a to	15 mm
			-0 / +0,15
da from	16 mm	a to	25 mm
			-0 / +0,3
da from	26 mm	a to	50 mm
			-0 / +0,4
oltre over	51 mm	da definire to be defined	

TOLLERANZE DIAMETRO ESTERNO (D) OUTSIDE DIAMETER (D) TOLERANCES			
da from	16 mm	a to	30 mm
			-0 / +0,1
da from	31 mm	a to	70 mm
			-0 / +0,15
da from	71 mm	a to	100 mm
			-0 / +0,2
oltre over	101 mm	da definire to be defined	

Gli schemi sono indicativi delle forze e dei vincoli.
Approximate schemes for forces and constraints.

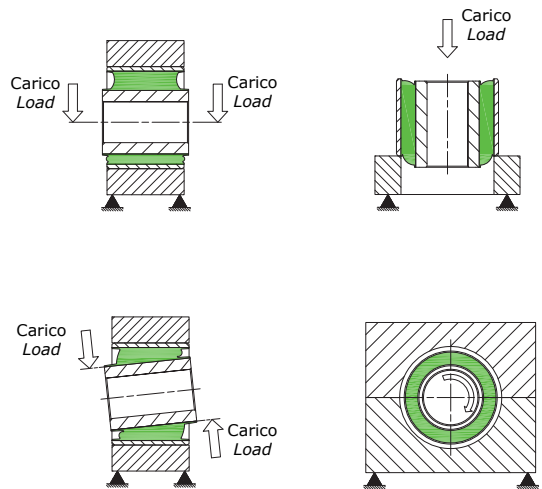
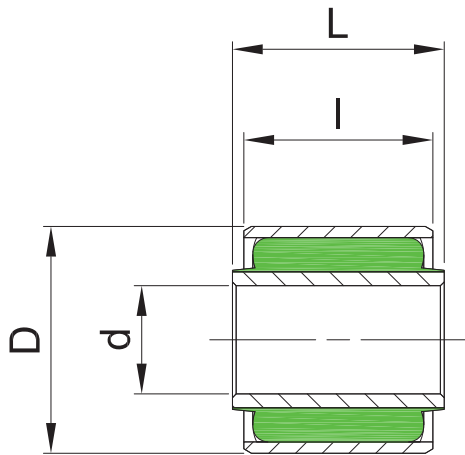
La sede di piantaggio deve garantire un'interferenza minima di 0,02 mm con tolleranza di -0,05 mm.
The driving seat must assure 0,02 mm as minimum interference with a -0,05 mm tolerance.

Tolleranze ristrette rispetto a quelle standard possono essere realizzate per prodotti specifici, previo accordo.
Subject to agreement, we are able to supply products to closer tolerances where required.

- DUREZZA STANDARD 65 IRHD
- STANDARD HARDNESS 65 IRHD

Codice	d	D	I	L	RADIALE		ASSIALE		TORSIONALE		CONICO	
					Rigidezza (daN/mm)	Defles. Max (mm)	Rigidezza (daN/mm)	Defles. Max (mm)	Rigidezza (Nm/°)	Ang. Max (+/-°gradi)	Rigidezza (Nm/°)	Ang. Max (+/-°gradi)
Item	d	D	I	L	RADIAL		AXIAL		TORSIONAL		CONICAL	
					Stiffness (daN/mm)	Deflec. Max (mm)	Stiffness (daN/mm)	Deflec. Max (mm)	Stiffness (Nm/°)	Angle. Max (+/-°gradi)	Stiffness (Nm/°)	Angle. Max (+/-°gradi)
FBNS1024.1824	10,0	24,0	18,0	24,0	239	0,5	33	1,2	0,56	30°	0,56	3°
FBNS1027.1722	10,0	27,0	17,0	22,0	113	0,8	22	1,0	0,47	30°	0,25	3°
FBNS1028.2027	10,0	28,0	20,0	27,0	128	0,8	25	1,4	0,56	20°	0,41	5°
FBNS1030.4549	10,0	30,0	45,0	49,0	1114	0,7	98	0,8	2,52	30°	17,96	3°
FBNS1125.5154	11,4	25,4	51,0	54,0	1698	0,6	122	0,6	2,00	20°	34,80	1°
FBNS1224.3538	12,0	24,0	35,0	38,0	2332	0,4	133	0,6	1,93	20°	21,30	1°
FBNS1225.2024	12,0	25,0	20,0	24,0	492	0,5	50	0,8	0,95	20°	1,41	3°
FBNS1225.3538	12,0	25,0	35,0	38,0	1483	0,5	104	0,6	1,75	20°	13,80	1°
FBNS1225.5054	12,0	25,0	50,0	54,0	3000	0,5	168	0,8	2,54	20°	57,84	1°
FBNS1226.1824	12,0	26,0	18,0	24,0	287	0,5	37	1,2	0,78	30°	0,67	7°
FBNS1226.2024	12,0	26,0	20,0	24,0	351	0,5	42	0,8	0,88	30°	1,03	7°
FBNS1226.2327	12,0	26,0	23,0	27,0	458	0,5	51	0,2	1,03	20°	1,81	4°

Codici producibili solo su richiesta. Lotti minimi su richiesta.
Items produced only on request. Supply quantities on request.



TOLLERANZE DIAMETRO INTERNO (d) INSIDE DIAMETER (d) TOLERANCES			
da from	8 mm	a to	15 mm
			-0 / +0,15
da from	16 mm	a to	25 mm
			-0 / +0,3
da from	26 mm	a to	50 mm
			-0 / +0,4
oltre over	51 mm	da definire to be defined	

TOLLERANZE DIAMETRO ESTERNO (D) OUTSIDE DIAMETER (D) TOLERANCES			
da from	16 mm	a to	30 mm
			-0 / +0,1
da from	31 mm	a to	70 mm
			-0 / +0,15
da from	71 mm	a to	100 mm
			-0 / +0,2
oltre over	101 mm	da definire to be defined	

Gli schemi sono indicativi delle forze e dei vincoli.
Approximate schemes for forces and constraints.

La sede di piantaggio deve garantire un'interferenza minima di 0,02 mm con tolleranza di -0,05 mm.
The driving seat must assure 0,02 mm as minimum interference with a -0,05 mm tolerance.

Tolleranze ristrette rispetto a quelle standard possono essere realizzate per prodotti specifici, previo accordo.
Subject to agreement, we are able to supply products to closer tolerances where required.

- DUREZZA STANDARD 65 IRHD
- STANDARD HARDNESS 65 IRHD

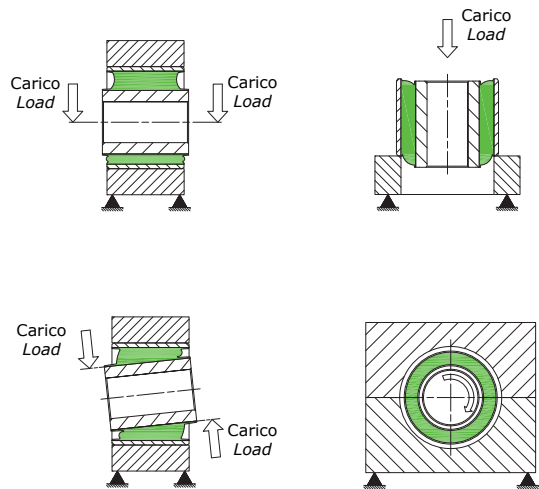
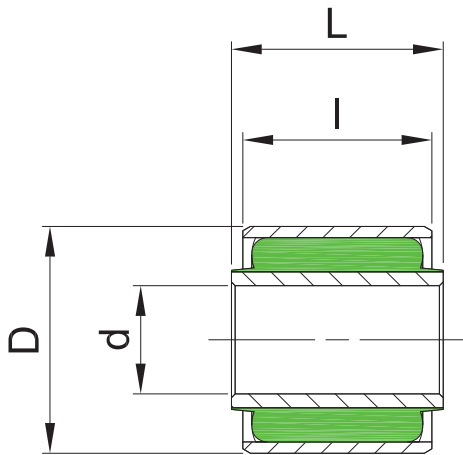
Codice	d	D	I	L	RADIALE		ASSIALE		TORSIONALE		CONICO	
					Rigidezza (daN/mm)	Deflec. Max (mm)	Rigidezza (daN/mm)	Deflec. Max (mm)	Rigidezza (Nm/°)	Ang. Max (+/-°gradi)	Rigidezza (Nm/°)	Ang. Max (+/-°gradi)
Item	d	D	I	L	RADIAL		AXIAL		TORSIONAL		CONICAL	
					Stiffness (daN/mm)	Deflec. Max (mm)	Stiffness (daN/mm)	Deflec. Max (mm)	Stiffness (Nm/°)	Angle. Max (+/-°gradi)	Stiffness (Nm/°)	Angle. Max (+/-°gradi)
FBNS1226.3234	12,0	26,0	32,0	34,0	865	0,5	76	0,4	1,47	30°	6,79	7°
FBNS1227.1824	12,0	26,5	18,0	24,0	287	0,5	37	1,2	0,78	30°	0,67	7°
FBNS1227.3842	12,0	27,0	38,0	42,0	888	0,6	81	0,8	1,67	30°	10,09	3°
FBNS1227.5056	12,0	27,0	50,0	56,0	1271	0,6	106	1,2	2,16	20°	25,38	1°
FBNS1227.6068	12,0	27,0	60,0	68,0	1799	0,6	133	1,6	2,61	15°	51,84	1°
FBNS1228.3238	12,0	28,0	32,0	38,0	499	0,7	58	1,2	1,33	20°	4,06	3°
FBNS1228.4044	12,0	28,0	40,0	44,0	755	0,7	76	0,8	1,68	25°	9,66	2°
FBNS1230.2428	12,0	30,0	24,0	28,0	203	0,8	34	0,8	0,92	30°	0,94	4°
FBNS1230.2130	12,0	30,0	21,0	30,0	161	0,8	29	1,8	0,79	30°	0,56	4°
FBNS1230.2430	12,0	30,0	24,0	30,0	203	0,8	34	1,2	0,92	30°	0,94	4°
FBNS1230.2528	12,0	30,0	25,0	28,0	218	0,8	36	0,6	0,96	30°	1,10	4°
FBNS1230.3944	12,0	30,0	39,0	44,0	477	0,8	61	1,0	1,55	30°	5,97	2°

Codici producibili solo su richiesta. Lotti minimi su richiesta.
Items produced only on request. Supply quantities on request.



TIPO FBNS

TYPE FBNS



TOLLERANZE DIAMETRO INTERNO (d) INSIDE DIAMETER (d) TOLERANCES			
da from	8 mm	a to	15 mm
			-0 / +0,15
da from	16 mm	a to	25 mm
			-0 / +0,3
da from	26 mm	a to	50 mm
			-0 / +0,4
oltre over	51 mm	da definire to be defined	

TOLLERANZE DIAMETRO ESTERNO (D) OUTSIDE DIAMETER (D) TOLERANCES			
da from	16 mm	a to	30 mm
			-0 / +0,1
da from	31 mm	a to	70 mm
			-0 / +0,15
da from	71 mm	a to	100 mm
			-0 / +0,2
oltre over	101 mm	da definire to be defined	

Gli schemi sono indicativi delle forze e dei vincoli.
Approximate schemes for forces and constraints.

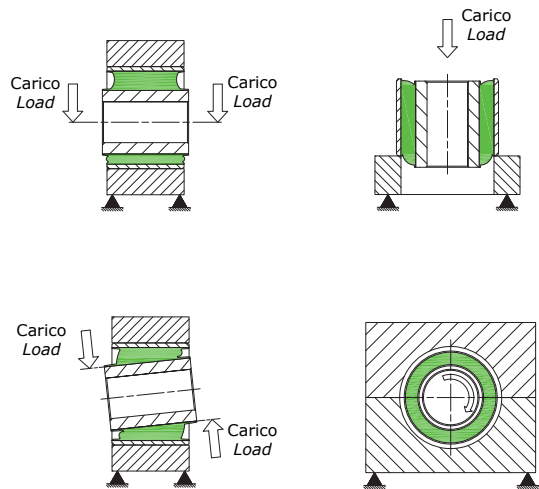
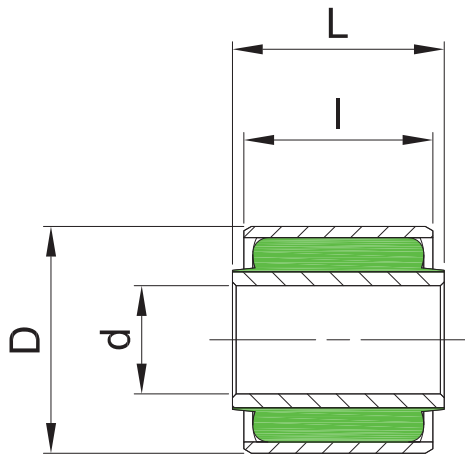
La sede di piantaggio deve garantire un'interferenza minima di 0,02 mm con tolleranza di -0,05 mm.
The driving seat must assure 0,02 mm as minimum interference with a -0,05 mm tolerance.

Tolleranze ristrette rispetto a quelle standard possono essere realizzate per prodotti specifici, previo accordo.
Subject to agreement, we are able to supply products to closer tolerances where required.

- DUREZZA STANDARD 65 IRHD
- STANDARD HARDNESS 65 IRHD

Codice	d	D	I	L	RADIALE		ASSIALE		TORSIONALE		CONICO	
					Rigidezza (daN/mm)	Deflec. Max (mm)	Rigidezza (daN/mm)	Deflec. Max (mm)	Rigidezza (Nm/°)	Ang. Max (+/-°gradi)	Rigidezza (Nm/°)	Ang. Max (+/-°gradi)
Item	d	D	I	L	RADIAL		AXIAL		TORSIONAL		CONICAL	
					Stiffness (daN/mm)	Deflec. Max (mm)	Stiffness (daN/mm)	Deflec. Max (mm)	Stiffness (Nm/°)	Angle. Max (+/-°gradi)	Stiffness (Nm/°)	Angle. Max (+/-°gradi)
FBNS1232.3440	12,0	32,0	34,0	40,0	317	0,9	48	1,2	1,31	30°	3,06	3°
FBNS1240.5866	12,0	40,0	58,0	66,0	330	1,5	58	1,6	2,28	30°	10,04	3°
FBNS1242.7582	12,1	42,2	75,0	82,0	487	1,6	77	2,4	3,36	20°	24,65	1°
FBNS1252.4052	12,5	52,0	40,0	52,0	230	1,7	47	2,4	3,72	30°	3,33	3°
FBNS1327.3844	13,0	27,0	38,0	44,0	1322	0,5	101	1,2	2,05	25°	14,72	3°
FBNS1427.4045	14,3	27,0	40,0	45,0	2330	0,5	141	1,0	2,72	25°	28,32	2°
FBNS1427.5056	14,3	27,0	50,0	56,0	2855	0,5	167	1,2	3,26	20°	55,24	1°
FBNS1429.3244	14,3	29,0	32,0	44,0	760	0,6	74	2,4	1,85	20°	6,03	2°
FBNS1430.2528	14,3	30,0	25,0	28,0	371	0,7	48	0,6	1,35	30°	1,80	7°
FBNS1430.2530	14,3	30,0	25,0	30,0	371	0,7	48	1,0	1,35	30°	1,80	7°
FBNS1430.3344	14,3	30,0	33,0	44,5	621	0,7	67	2,3	1,82	30°	5,34	3°
FBNS1430.3842	14,3	30,0	38,0	42,0	809	0,7	80	0,8	2,11	30°	9,27	3°

Codici producibili solo su richiesta. Lotti minimi su richiesta.
Items produced only on request. Supply quantities on request.



TOLLERANZE DIAMETRO INTERNO (d) INSIDE DIAMETER (d) TOLERANCES			
da from	8 mm	a to	15 mm
			-0 / +0,15
da from	16 mm	a to	25 mm
			-0 / +0,3
da from	26 mm	a to	50 mm
			-0 / +0,4
oltre over	51 mm	da definire to be defined	

TOLLERANZE DIAMETRO ESTERNO (D) OUTSIDE DIAMETER (D) TOLERANCES			
da from	16 mm	a to	30 mm
			-0 / +0,1
da from	31 mm	a to	70 mm
			-0 / +0,15
da from	71 mm	a to	100 mm
			-0 / +0,2
oltre over	101 mm	da definire to be defined	

Gli schemi sono indicativi delle forze e dei vincoli.
Approximate schemes for forces and constraints.

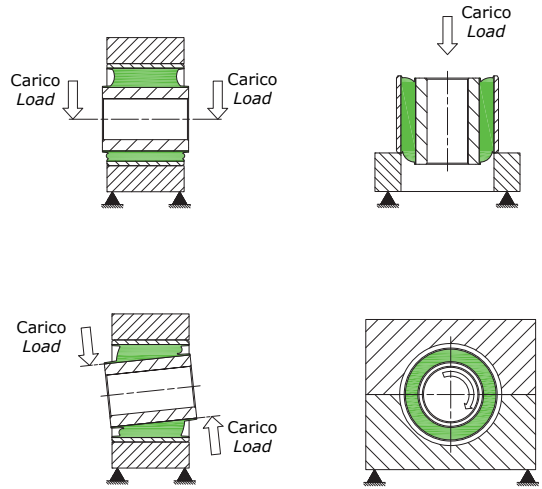
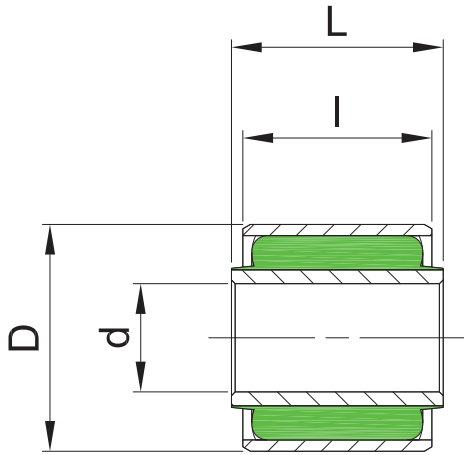
La sede di piantaggio deve garantire un'interferenza minima di 0,02 mm con tolleranza di -0,05 mm.
The driving seat must assure 0,02 mm as minimum interference with a -0,05 mm tolerance.

Tolleranze ristrette rispetto a quelle standard possono essere realizzate per prodotti specifici, previo accordo.
Subject to agreement, we are able to supply products to closer tolerances where required.

- DUREZZA STANDARD 65 IRHD
- STANDARD HARDNESS 65 IRHD

Codice	d	D	I	L	RADIALE		ASSIALE		TORSIONALE		CONICO	
					Rigidezza (daN/mm)	Deflec. Max (mm)	Rigidezza (daN/mm)	Deflec. Max (mm)	Rigidezza (Nm/°)	Ang. Max (+/-°gradi)	Rigidezza (Nm/°)	Ang. Max (+/-°gradi)
Item	d	D	I	L	RADIAL		AXIAL		TORSIONAL		CONICAL	
					Stiffness (daN/mm)	Deflec. Max (mm)	Stiffness (daN/mm)	Deflec. Max (mm)	Stiffness (Nm/°)	Angle. Max (+/-°gradi)	Stiffness (Nm/°)	Angle. Max (+/-°gradi)
FBNS1430.3944	14,3	30,0	39,0	44,5	850	0,7	82	1,1	2,17	30°	10,26	3°
FBNS1430.4451	14,3	30,0	44,5	50,8	1088	0,7	97	1,3	2,49	25°	17,12	2°
FBNS1430.4549	14,3	30,0	45,0	49,0	1114	0,7	98	0,8	2,52	25°	17,96	2°
FBNS1430.6370	14,3	30,2	63,5	69,85	2039	0,7	148	1,3	3,58	20°	65,93	1°
FBNS1430.8692	14,3	30,2	85,9	91,6	3645	0,7	220	1,1	4,88	15°	215,80	1°
FBNS1432.3846	14,3	32,0	38,0	46,0	529	0,8	65	1,6	1,97	25°	6,24	2°
FBNS1432.5054	14,0	32,0	49,6	54,0	1565	0,7	123	0,9	3,60	25°	30,55	2°
FBNS1432.5862	14,3	31,7	57,4	62,0	1198	0,8	110	0,9	3,05	20°	32,19	1°
FBNS1432.6066	14,0	32,0	60,0	66,0	2255	0,4	157	1,2	4,39	25°	64,62	2°
FBNS1440.6070	14,0	40,0	60,0	70,0	2317	0,8	166	2,0	6,56	30°	66,54	3°
FBNS1440.6072	14,0	40,0	60,0	72,0	2317	0,8	166	2,4	6,56	30°	66,54	3°
FBNS1452.5664	14,0	52,0	56,0	64,0	352	1,8	64	1,6	4,87	30°	10,04	3°

Codici producibili solo su richiesta. Lotti minimi su richiesta.
Items produced only on request. Supply quantities on request.



TOLLERANZE DIAMETRO INTERNO (d) INSIDE DIAMETER (d) TOLERANCES			
da from	8 mm	a to	15 mm
			-0 / +0,15
da from	16 mm	a to	25 mm
			-0 / +0,3
da from	26 mm	a to	50 mm
			-0 / +0,4
oltre over	51 mm	da definire to be defined	

TOLLERANZE DIAMETRO ESTERNO (D) OUTSIDE DIAMETER (D) TOLERANCES			
da from	16 mm	a to	30 mm
			-0 / +0,1
da from	31 mm	a to	70 mm
			-0 / +0,15
da from	71 mm	a to	100 mm
			-0 / +0,2
oltre over	101 mm	da definire to be defined	

Gli schemi sono indicativi delle forze e dei vincoli.
Approximate schemes for forces and constraints.

La sede di piantaggio deve garantire un'interferenza minima di 0,02 mm con tolleranza di -0,05 mm.
The driving seat must assure 0,02 mm as minimum interference with a -0,05 mm tolerance.

Tolleranze ristrette rispetto a quelle standard possono essere realizzate per prodotti specifici, previo accordo.
Subject to agreement, we are able to supply products to closer tolerances where required.

- DUREZZA STANDARD 65 IRHD
- STANDARD HARDNESS 65 IRHD

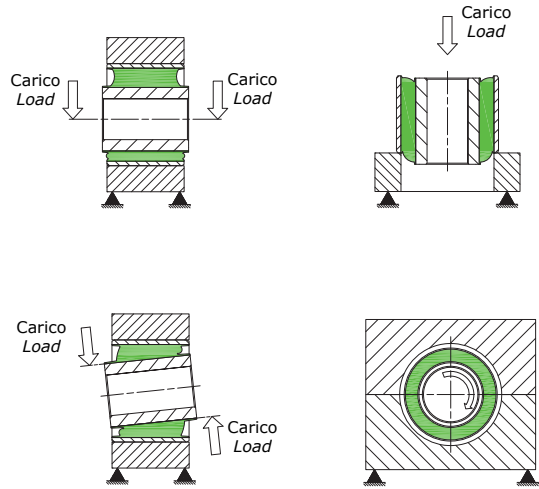
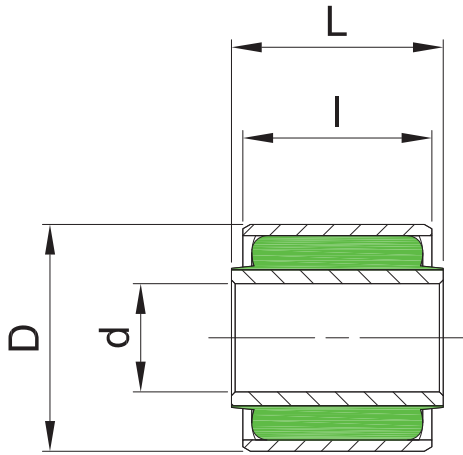
Codice	d	D	I	L	RADIALE		ASSIALE		TORSIONALE		CONICO	
					Rigidezza (daN/mm)	Deflec. Max (mm)	Rigidezza (daN/mm)	Deflec. Max (mm)	Rigidezza (Nm/°)	Ang. Max (+/-°gradi)	Rigidezza (Nm/°)	Ang. Max (+/-°gradi)
Item	d	D	I	L	RADIAL		AXIAL		TORSIONAL		CONICAL	
					Stiffness (daN/mm)	Deflec. Max (mm)	Stiffness (daN/mm)	Deflec. Max (mm)	Stiffness (Nm/°)	Angle. Max (+/-°gradi)	Stiffness (Nm/°)	Angle. Max (+/-°gradi)
FBNS1632.2528	16,0	32,0	25,0	28,0	869	0,5	77	0,6	2,52	20°	4,01	5°
FBNS1632.2832	16,0	32,0	28,0	32,0	530	0,7	61	0,8	1,97	20°	3,23	3°
FBNS1632.5054	16,0	32,0	49,6	54,0	1565	0,7	123	0,9	3,60	15°	30,55	1°
FBNS1632.6066	16,0	32,0	60,0	66,0	2255	0,7	157	1,2	4,39	20°	64,61	1°
FBNS1632.6069	16,0	32,0	60,0	69,0	2255	0,7	157	1,8	4,39	20°	64,61	1°
FBNS1633.5059	16,0	33,0	50,0	59,0	1589	0,7	124	1,8	3,64	15°	31,53	1°
FBNS1633.6066	16,0	33,0	60,0	66,0	2255	0,7	157	1,2	4,39	15°	64,61	1°
FBNS1635.5862	16,0	35,0	58,0	62,0	1332	0,8	119	0,8	3,91	20°	36,46	1°
FBNS1636.3038	16,0	36,0	30,0	38,0	289	1,0	46	1,6	1,86	30°	2,15	7°
FBNS1636.3538	16,0	36,0	35,0	38,0	377	1,0	55	0,6	2,19	30°	3,84	7°
FBNS1636.6570	16,0	36,0	65,0	70,0	1894	0,8	149	1,0	5,52	20°	64,78	1°
FBNS1638.6072P	16,2	38,0	60,0	72,1	3192	0,8	199	2,4	7,67	20°	90,59	1°

Codici producibili solo su richiesta. Lotti minimi su richiesta.
Items produced only on request. Supply quantities on request.



TIPO FBNS

TYPE FBNS



TOLLERANZE DIAMETRO INTERNO (d) INSIDE DIAMETER (d) TOLERANCES			
da from	8 mm	a to	15 mm -0 / +0,15
da from	16 mm	a to	25 mm -0 / +0,3
da from	26 mm	a to	50 mm -0 / +0,4
oltre over	51 mm	da definire to be defined	

TOLLERANZE DIAMETRO ESTERNO (D) OUTSIDE DIAMETER (D) TOLERANCES			
da from	16 mm	a to	30 mm -0 / +0,1
da from	31 mm	a to	70 mm -0 / +0,15
da from	71 mm	a to	100 mm -0 / +0,2
oltre over	101 mm	da definire to be defined	

Gli schemi sono indicativi delle forze e dei vincoli.
Approximate schemes for forces and constraints.

La sede di piantaggio deve garantire un'interferenza minima di 0,02 mm con tolleranza di -0,05 mm.
The driving seat must assure 0,02 mm as minimum interference with a -0,05 mm tolerance.

Tolleranze ristrette rispetto a quelle standard possono essere realizzate per prodotti specifici, previo accordo.
Subject to agreement, we are able to supply products to closer tolerances where required.

- DUREZZA STANDARD 65 IRHD
- STANDARD HARDNESS 65 IRHD

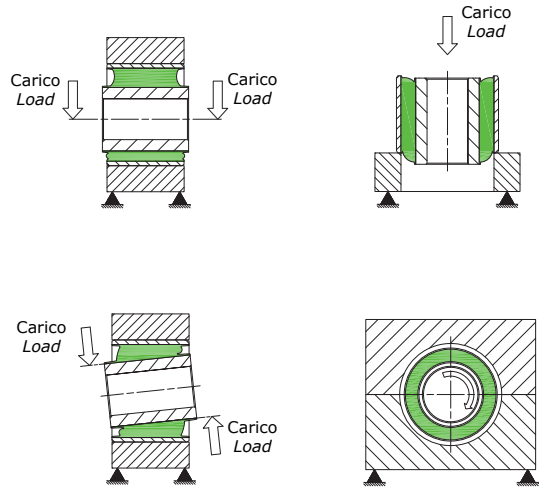
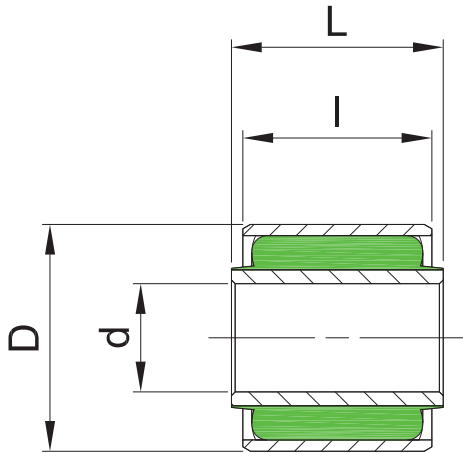
Codice	d	D	I	L	RADIALE		ASSIALE		TORSIONALE		CONICO	
					Rigidezza (daN/mm)	Deflec. Max (mm)	Rigidezza (daN/mm)	Deflec. Max (mm)	Rigidezza (Nm/°)	Ang. Max (+/-°gradi)	Rigidezza (Nm/°)	Ang. Max (+/-°gradi)
Item	d	D	I	L	RADIAL		AXIAL		TORSIONAL		CONICAL	
					Stiffness (daN/mm)	Deflec. Max (mm)	Stiffness (daN/mm)	Deflec. Max (mm)	Stiffness (Nm/°)	Angle. Max (+/-°gradi)	Stiffness (Nm/°)	Angle. Max (+/-°gradi)
FBNS1640.3543	16,0	40,0	35,0	43,0	255	1,2	46	1,6	2,09	30°	2,70	2°
FBNS1645.7582	16,5	45,0	75,0	82,0	1055	1,3	119	1,4	6,82	25°	50,56	1°
FBNS1646.6067	16,0	46,0	60,0	67,0	486	1,5	75	1,4	4,41	25°	15,47	2°
FBNS1646.6082	16,0	46,0	60,0	82,0	486	1,5	75	4,4	4,41	25°	15,47	1°
FBNS1834.3236	18,0	34,0	32,0	36,0	1099	0,6	94	0,8	3,42	20°	8,59	3°
FBNS1834.6571	18,0	34,0	65,0	71,0	4383	0,6	239	1,2	7,19	20°	145,20	1°
FBNS1842.3538	18,0	42,2	35,0	38,0	335	1,1	54	0,6	2,89	30°	3,47	7°
FBNS1842.3542	18,0	42,2	35,0	42,0	335	1,1	54	1,4	2,89	30°	3,47	7°
FBNS1846.6067	18,0	46,0	60,0	67,0	560	1,4	81	1,4	4,86	25°	17,62	3°
FBNS2038.3538	20,0	38,0	35,0	38,0	1126	0,7	99	0,6	4,36	20°	10,69	3°
FBNS2042.3546	20,0	42,2	35,0	46,0	488	1,0	66	2,2	3,66	20°	4,90	3°
FBNS2044.3842	20,0	44,0	38,0	42,0	439	1,1	64	0,8	3,82	30°	5,32	7°

Codici producibili solo su richiesta. Lotti minimi su richiesta.
Items produced only on request. Supply quantities on request.



TIPO FBNS

TYPE FBNS



TOLLERANZE DIAMETRO INTERNO (d) INSIDE DIAMETER (d) TOLERANCES			
da from	8 mm	a to	15 mm -0 / +0,15
da from	16 mm	a to	25 mm -0 / +0,3
da from	26 mm	a to	50 mm -0 / +0,4
oltre over	51 mm	da definire to be defined	

TOLLERANZE DIAMETRO ESTERNO (D) OUTSIDE DIAMETER (D) TOLERANCES			
da from	16 mm	a to	30 mm -0 / +0,1
da from	31 mm	a to	70 mm -0 / +0,15
da from	71 mm	a to	100 mm -0 / +0,2
oltre over	101 mm	da definire to be defined	

Gli schemi sono indicativi delle forze e dei vincoli.
Approximate schemes for forces and constraints.

La sede di piantaggio deve garantire un'interferenza minima di 0,02 mm con tolleranza di -0,05 mm.
The driving seat must assure 0,02 mm as minimum interference with a -0,05 mm tolerance.

Tolleranze ristrette rispetto a quelle standard possono essere realizzate per prodotti specifici, previo accordo.
Subject to agreement, we are able to supply products to closer tolerances where required.

- DUREZZA STANDARD 65 IRHD
- STANDARD HARDNESS 65 IRHD

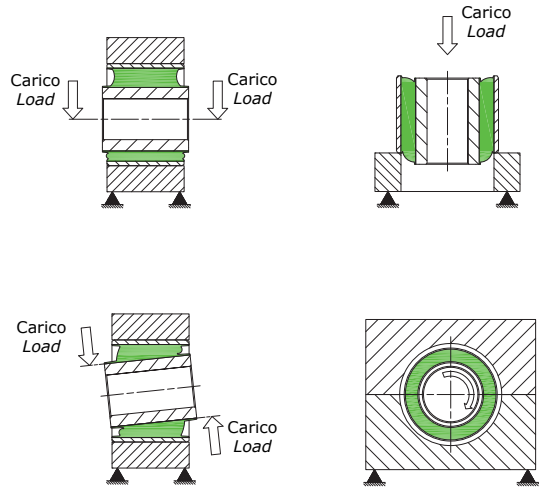
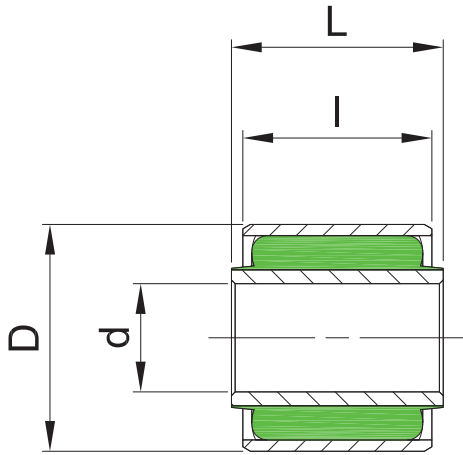
Codice	d	D	I	L	RADIALE		ASSIALE		TORSIONALE		CONICO	
					Rigidezza (daN/mm)	Deflec. Max (mm)	Rigidezza (daN/mm)	Deflec. Max (mm)	Rigidezza (Nm/°)	Ang. Max (+/-°gradi)	Rigidezza (Nm/°)	Ang. Max (+/-°gradi)
Item	d	D	I	L	RADIAL		AXIAL		TORSIONAL		CONICAL	
					Stiffness (daN/mm)	Deflec. Max (mm)	Stiffness (daN/mm)	Deflec. Max (mm)	Stiffness (Nm/°)	Angle. Max (+/-°gradi)	Stiffness (Nm/°)	Angle. Max (+/-°gradi)
FBNS2045.4046	20,0	45,0	40,0	46,0	640	1,0	78	1,2	4,24	30°	8,40	3°
FBNS2045.5562	20,0	45,0	55,0	62,5	740	1,2	92	1,5	5,52	25°	18,98	3°
FBNS2045.5962	20,0	45,0	59,5	62,5	851	1,2	101	0,6	5,99	25°	25,50	3°
FBNS2046.3542	20,0	46,0	35,0	42,0	769	0,9	85	1,4	5,95	30°	7,51	7°
FBNS2046.4555	20,0	46,0	45,0	55,0	1228	0,9	116	2,0	7,75	25°	19,96	3°
FBNS2046.6067	20,0	46,0	60,0	67,0	765	1,3	96	1,4	5,95	20°	23,53	2°
FBNS2049.5964	20,0	49,0	59,0	64,0	743	1,3	94	0,8	5,85	25°	22,09	2°
FBNS2050.7581	20,0	50,4	75,2	80,6	2258	1,1	182	1,0	12,29	20°	104,50	2°
FBNS2050.9095	20,0	50,5	90,0	95,0	2329	1,2	195	1,0	14,00	15°	156,30	1°
FBNS2052.4052	20,0	52,0	40,0	52,0	326	1,5	57	2,4	4,83	30°	4,56	7°
FBNS2052.6060	20,0	52,0	60,0	60,0	1782	1,1	156	1,2	13,25	25°	52,23	5°
FBNS2052.6066	20,0	52,0	60,0	66,0	1782	1,1	156	1,2	13,25	25°	52,23	5°

Codici producibili solo su richiesta. Lotti minimi su richiesta.
Items produced only on request. Supply quantities on request.



TIPO FBNS

TYPE FBNS



TOLLERANZE DIAMETRO INTERNO (d) INSIDE DIAMETER (d) TOLERANCES			
da from	8 mm	a to	15 mm
			-0 / +0,15
da from	16 mm	a to	25 mm
			-0 / +0,3
da from	26 mm	a to	50 mm
			-0 / +0,4
oltre over	51 mm	da definire to be defined	

TOLLERANZE DIAMETRO ESTERNO (D) OUTSIDE DIAMETER (D) TOLERANCES			
da from	16 mm	a to	30 mm
			-0 / +0,1
da from	31 mm	a to	70 mm
			-0 / +0,15
da from	71 mm	a to	100 mm
			-0 / +0,2
oltre over	101 mm	da definire to be defined	

Gli schemi sono indicativi delle forze e dei vincoli.
Approximate schemes for forces and constraints.

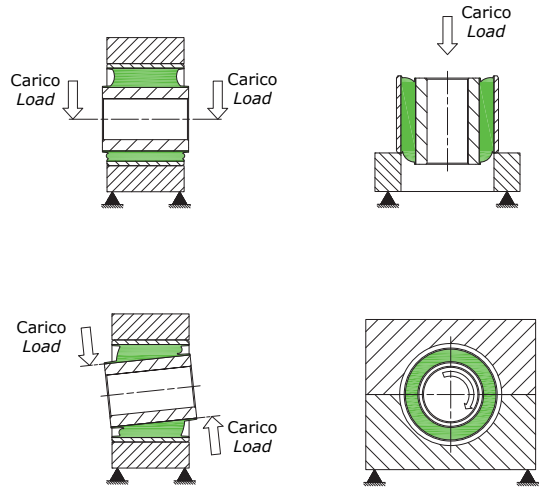
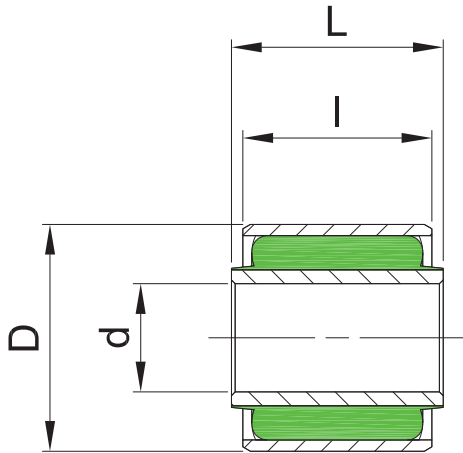
La sede di piantaggio deve garantire un'interferenza minima di 0,02 mm con tolleranza di -0,05 mm.
The driving seat must assure 0,02 mm as minimum interference with a -0,05 mm tolerance.

Tolleranze ristrette rispetto a quelle standard possono essere realizzate per prodotti specifici, previo accordo.
Subject to agreement, we are able to supply products to closer tolerances where required.

- DUREZZA STANDARD 65 IRHD
- STANDARD HARDNESS 65 IRHD

Codice	d	D	I	L	RADIALE		ASSIALE		TORSIONALE		CONICO	
					Rigidezza (daN/mm)	Deflec. Max (mm)	Rigidezza (daN/mm)	Deflec. Max (mm)	Rigidezza (Nm/°)	Ang. Max (+/-°gradi)	Rigidezza (Nm/°)	Ang. Max (+/-°gradi)
Item	d	D	I	L	RADIAL		AXIAL		TORSIONAL		CONICAL	
					Stiffness (daN/mm)	Deflec. Max (mm)	Stiffness (daN/mm)	Deflec. Max (mm)	Stiffness (Nm/°)	Angle. Max (+/-°gradi)	Stiffness (Nm/°)	Angle. Max (+/-°gradi)
FBNS2063.6672	20,2	63,0	66,5	72,5	1279	1,4	140	1,2	16,89	30°	47,66	3°
FBNS2247.7679	22,0	46,6	76,0	78,6	1892	1,1	164	0,5	10,34	20°	90,23	1°
FBNS2442.5055	24,0	42,2	50,0	55,0	3802	0,6	218	1,0	10,77	20°	73,41	3°
FBNS2442.9096	24,0	42,2	90,0	96,0	12171	0,6	504	1,2	19,75	20°	77,35	1°
FBNS2444.4858	24,0	44,5	48,0	58,0	2136	0,8	157	2,0	9,15	20°	38,69	3°
FBNS2444.7779	24,0	45,0	76,5	79,0	4160	0,8	254	5,0	14,06	15°	19,44	1°
FBNS2450.6571	24,1	50,5	65,0	71,0	1278	1,2	131	1,2	10,03	20°	45,06	2°
FBNS2450.7881	24,1	50,5	78,0	80,6	2418	1,1	191	0,5	12,76	20°	120,41	1°
FBNS2450.9095	24,1	50,5	90,0	95,0	2328	1,2	195	1,0	14,00	15°	156,36	1°
FBNS2452.5966	24,0	52,0	59,0	66,0	1726	1,1	153	1,4	13,02	20°	48,95	3°
FBNS2455.5565	24,0	55,0	55,0	65,0	987	1,3	113	2,0	11,10	25°	25,00	5°
FBNS2550.6267	25,0	50,0	62,5	67,5	1757	1,1	154	1,0	11,89	20°	56,10	1°

Codici producibili solo su richiesta. Lotti minimi su richiesta.
Items produced only on request. Supply quantities on request.



TOLLERANZE DIAMETRO INTERNO (d) INSIDE DIAMETER (d) TOLERANCES			
da from	8 mm	a to	15 mm
			-0 / +0,15
da from	16 mm	a to	25 mm
			-0 / +0,3
da from	26 mm	a to	50 mm
			-0 / +0,4
oltre over	51 mm	da definire to be defined	

TOLLERANZE DIAMETRO ESTERNO (D) OUTSIDE DIAMETER (D) TOLERANCES			
da from	16 mm	a to	30 mm
			-0 / +0,1
da from	31 mm	a to	70 mm
			-0 / +0,15
da from	71 mm	a to	100 mm
			-0 / +0,2
oltre over	101 mm	da definire to be defined	

Gli schemi sono indicativi delle forze e dei vincoli.
Approximate schemes for forces and constraints.

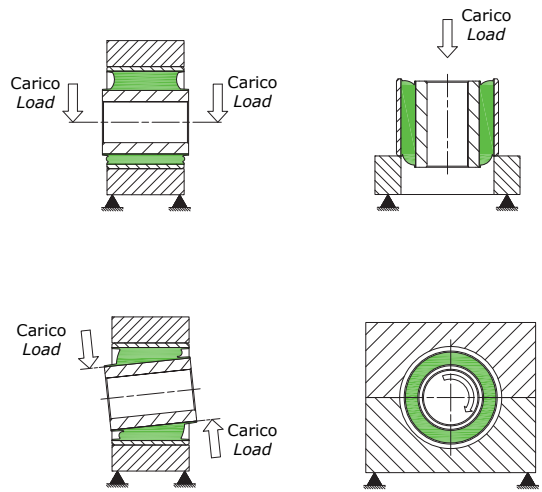
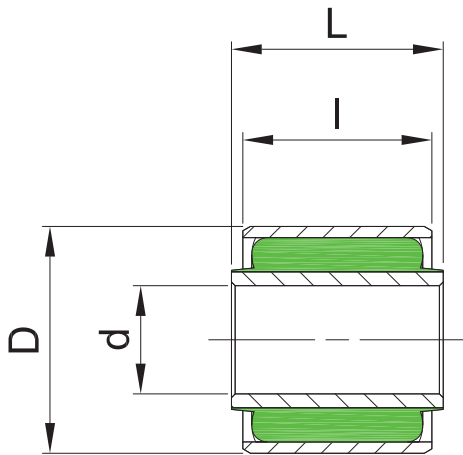
La sede di piantaggio deve garantire un'interferenza minima di 0,02 mm con tolleranza di -0,05 mm.
The driving seat must assure 0,02 mm as minimum interference with a -0,05 mm tolerance.

Tolleranze ristrette rispetto a quelle standard possono essere realizzate per prodotti specifici, previo accordo.
Subject to agreement, we are able to supply products to closer tolerances where required.

- DUREZZA STANDARD 65 IRHD
- STANDARD HARDNESS 65 IRHD

Codice	d	D	I	L	RADIALE		ASSIALE		TORSIONALE		CONICO	
					Rigidezza (daN/mm)	Deflec. Max (mm)	Rigidezza (daN/mm)	Deflec. Max (mm)	Rigidezza (Nm/°)	Ang. Max (+/-°gradi)	Rigidezza (Nm/°)	Ang. Max (+/-°gradi)
Item	d	D	I	L	RADIAL		AXIAL		TORSIONAL		CONICAL	
					Stiffness (daN/mm)	Deflec. Max (mm)	Stiffness (daN/mm)	Deflec. Max (mm)	Stiffness (Nm/°)	Angle. Max (+/-°gradi)	Stiffness (Nm/°)	Angle. Max (+/-°gradi)
FBNS2550.6567	25,0	50,0	65,5	67,5	1918	1,1	164	0,4	12,49	20°	67,21	1°
FBNS2555.8993	25,0	55,0	89,5	93,0	2486	1,2	207	0,8	19,55	15°	163,10	1°
FBNS2848.6066	28,0	48,0	60,0	66,0	4035	0,8	241	0,9	15,97	20°	114,15	3°
FBNS2860.4050	28,0	60,0	40,0	50,0	1150	1,1	117	2,0	14,82	25°	14,73	5°
FBNS2860.6580	28,0	60,0	65,0	80,0	785	1,7	107	3,0	12,11	20°	28,82	2°
FBNS2860.7275	28,0	60,0	72,0	75,0	937	1,7	120	0,6	13,46	20°	42,10	2°
FBNS2863.6672	28,0	63,0	66,5	72,5	1279	1,4	140	1,2	16,89	20°	47,66	2°
FBNS3055.8994	30,0	55,0	89,5	94,0	5431	1,0	321	0,9	27,53	15°	349,00	1°
FBNS3057.97102	30,1	57,0	97,5	102,0	8553	0,9	431	0,9	35,95	15°	647,96	1°
FBNS3060.5055	30,0	60,0	50,0	55,0	1108	1,2	120	1,0	13,55	25°	22,83	3°
FBNS3060.6068	30,0	60,0	60,0	68,0	1194	1,4	131	1,6	15,53	20°	35,98	2°
FBNS3063.6672	30,0	63,0	66,5	72,5	1279	1,4	140	1,2	16,88	30°	47,66	3°
FBNS3256.5055	32,0	56,0	50,0	55,0	1498	1,1	139	1,0	14,50	25°	30,29	5°

Codici producibili solo su richiesta. Lotti minimi su richiesta.
Items produced only on request. Supply quantities on request.



TOLLERANZE DIAMETRO INTERNO (d) INSIDE DIAMETER (d) TOLERANCES			
da from	8 mm	a to	15 mm -0 / +0,15
da from	16 mm	a to	25 mm -0 / +0,3
da from	26 mm	a to	50 mm -0 / +0,4
oltre over	51 mm	da definire to be defined	

TOLLERANZE DIAMETRO ESTERNO (D) OUTSIDE DIAMETER (D) TOLERANCES			
da from	16 mm	a to	30 mm -0 / +0,1
da from	31 mm	a to	70 mm -0 / +0,15
da from	71 mm	a to	100 mm -0 / +0,2
oltre over	101 mm	da definire to be defined	

Gli schemi sono indicativi delle forze e dei vincoli.
Approximate schemes for forces and constraints.

La sede di piantaggio deve garantire un'interferenza minima di 0,02 mm con tolleranza di -0,05 mm.
The driving seat must assure 0,02 mm as minimum interference with a -0,05 mm tolerance.

Tolleranze ristrette rispetto a quelle standard possono essere realizzate per prodotti specifici, previo accordo.
Subject to agreement, we are able to supply products to closer tolerances where required.

- DUREZZA STANDARD 65 IRHD
- STANDARD HARDNESS 65 IRHD

Codice	d	D	I	L	RADIALE		ASSIALE		TORSIONALE		CONICO	
					Rigidezza (daN/mm)	Deflec. Max (mm)	Rigidezza (daN/mm)	Deflec. Max (mm)	Rigidezza (Nm/°)	Ang. Max (+/-°gradi)	Rigidezza (Nm/°)	Ang. Max (+/-°gradi)
Item	d	D	I	L	RADIAL		AXIAL		TORSIONAL		CONICAL	
					Stiffness (daN/mm)	Deflec. Max (mm)	Stiffness (daN/mm)	Deflec. Max (mm)	Stiffness (Nm/°)	Angle. Max (+/-°gradi)	Stiffness (Nm/°)	Angle. Max (+/-°gradi)
FBNS3260.6584	32,5	60,0	65,0	84,0	1380	1,4	144	3,8	16,86	25°	48,76	3°
FBNS3270.9095	32,0	70,0	90,0	95,0	1239	1,9	150	1,0	21,04	20°	87,22	2°
FBNS3559.102111	35,0	59,0	102,0	111,0	10966	0,9	516	1,8	48,35	15°	906,75	1°
FBNS3866.5560	38,0	66,0	55,0	60,0	1478	1,3	148	1,0	22,16	20°	36,75	3°
FBNS4066.8696	40,0	66,0	86,0	96,0	9752	0,9	474	2,0	57,06	15°	570,20	1°
FBNS5080.100110	50,0	80,0	100,0	110,0	8639	1,2	468	2,0	83,41	15°	69,26	1°
FBNS60110.120	60,0	110,0	110,0	120,0	5827	1,8	410	2,0	162,63	15°	579,50	2°
FBNS80140.120	80,0	140,0	110,0	120,0	9892	1,8	587	2,0	379,00	15°	969,00	2°
FBNS80140.180	80,0	140,0	170,0	180,0	22992	1,8	107	2,0	590,00	15°	5361,00	1°
FBNS86150.200	86,0	150,0	180,0	200,0	49200	1,5	181	4,0	907,50	15°	12714,00	1°
FBNS100140.120	100,0	140,0	110,0	120,0	12814	1,7	685	2,0	424,00	15°	1246,00	1°
FBNS110160.180	110,0	160,0	170,0	180,0	50791	1,5	1857	2,0	1069,00	15°	11688,00	1°
FBNS124180.230	124,0	180,0	220,0	230,0	49319	2,0	1926	2,0	1506,00	15°	19174,00	1°

Codici producibili solo su richiesta. Lotti minimi su richiesta.
Items produced only on request. Supply quantities on request.