

Ventilation & Roof Access



Glazing Vision was established in 1994 by Mr Hugh Callacher

Today Glazing Vision leads the glass rooflight market with
expanding sales both domestically and internationally.

All our access rooflights can be used for natural ventilation as well as maintenance or regular access to a roof garden or terrace

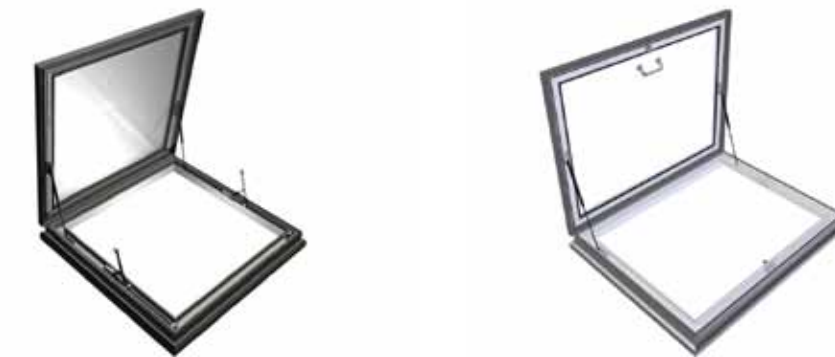




Maintenance access with a VisionVent® comes in 2 forms, a VisionVent® part electric/part access variant (as pictured on the left)

This variant can be used for ventilation to 30 degrees then opened manually to 90 degrees for access.

The second variant is a simple to use Manual Access Hatch, which comes in set sizes, with only one open position.





GV Standard Electric Skydoor® or GV Bespoke Hydraulic Skydoor® (pictured)

The Electric Skydoor® is a recent addition to our range to satisfy the requirement for an electrically operated rooflight to 90 degrees. The bespoke hydraulic version is manufactured with a manual pump operation (meaning the rooflight can be opened manually where required, for instance during religious festivals, where use of electricity is not permitted).

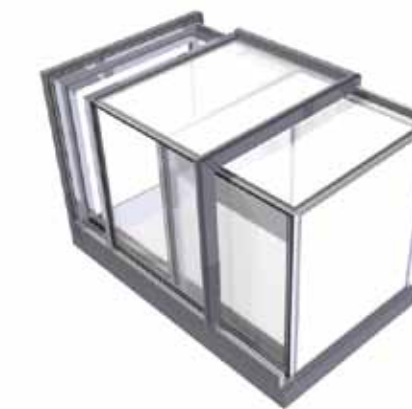




The GV Sliding Box Rooflight is perfect for terrace or roof garden access where a physical structure is required.

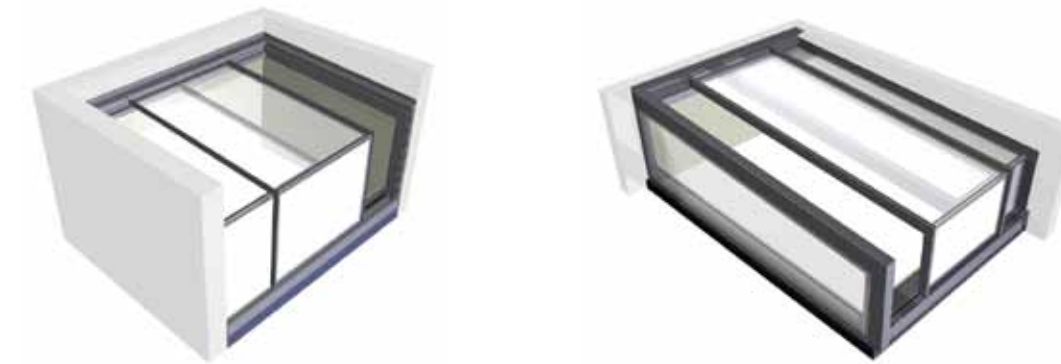
This variant features glass on all sides of the box, one section slides over a fixed section for 50% clear opening.

The box rooflight is the perfect solution providing the minimum headroom requirements, also the balustrade can be taken up right to the point of exit.





The GV Standard 3 Wall Mounted Box Rooflight is an adaption of the Free Standing Box Rooflight, the perfect solution where attachment to existing parapet walls is required. Various bespoke variants can be manufactured to attach to one or two sides as well as bi parting and stacking options.



TECHNICAL SPECIFICATION - VISIONVENT® (VENT & MAINTENANCE ACCESS)

VisionVent® (Vent & Maintenance Access) Bespoke Sizes Available (up to 2m²)
All sizes refer to Overall weathered upstand dimensions

Minimum Kerb Span: 900mm
Minimum Kerb Width: 900mm
Maximum Kerb Span: 1465mm
Maximum Kerb Width: 1965mm

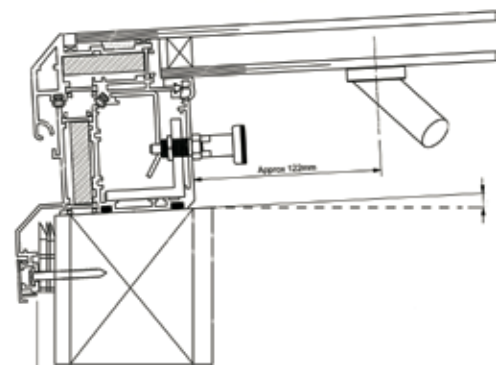
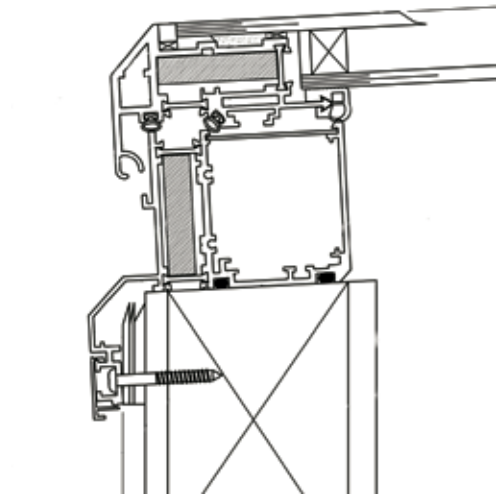
Kerb Width Minimum: 100mm min, 140mm recommended
Kerb Height Minimum: 150mm
Minimum Kerb pitch: 3-5°
Maximum kerb pitch: 70°

Manual Access Hatch
900mm x 900mm (hinged side)
900mm x 1200mm (hinged side)
1200mm x 1200mm (hinged side)
1200mm x 1500mm (hinged side)

Glass Specification:-
Standard Glass Spec
32mm Double Glazed Unit – 6mm Toughened Outer Pane, 20mm Argon filled warm edge spacer cavity, 6mm Toughened Inner Pane
Colour: RAL7015 Grey and RAL9010 White Inner

Various glass specifications can be provided for dependent on the client's requirement, whether the need for improved solar performance or increased security we will produce a configuration to suit.

Manual Access Hatch can come with aluminium composite panel instead of glass.



TECHNICAL SPECIFICATION - SKYDOOR®

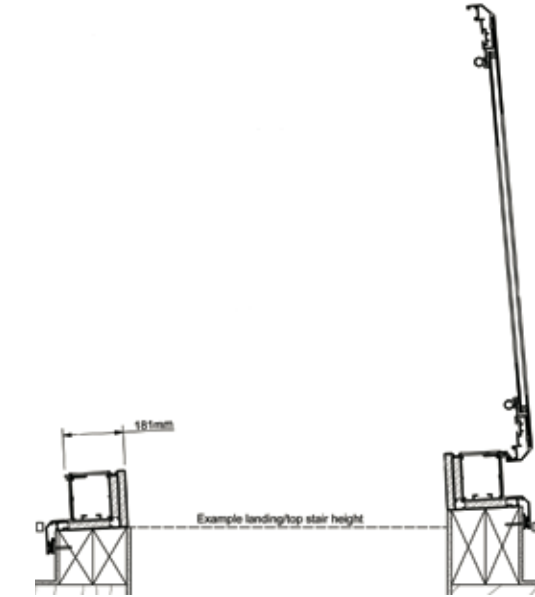
Bespoke Sizes Available
All sizes refer to Overall weathered upstand dimensions

Minimum Span: 850mm
Maximum Span: 1444mm
Minimum Width: 1280mm
Maximum Width: 3244mm
Kerb Width Minimum: 220mm
Kerb Height Minimum: 150mm
Minimum Kerb pitch: 3-5°
Maximum kerb pitch: 10°

Glass Specification:-
Standard Glass Spec
28mm Double Glazed Unit – 6mm Toughened Outer Pane, 16mm Argon filled warm edge spacer cavity, 6mm Toughened Low E Inner Pane
Colour: RAL7015 Grey Outer & RAL9010 White Inner

Various glass specifications can be provided for dependent on the client's requirement, whether the need for improved solar performance or increased security we will produce a configuration to suit.

Infra red safety beams to stop closing provided as standard



TECHNICAL SPECIFICATION - FREE STANDING BOX



GV Standard Free Standing Box Technical Data

All sizes refer to Overall weathered upstand dimensions

Minimum Internal Height: 300mm Maximum Internal Height: 1500mm

Minimum Span: 1100 Maximum Span: 2400mm

Minimum Width: 1500mm Maximum Width: 4200mm

Max footprint area: 6m² Speed of operation: 2-3m/min (variable) – Can be set if installed by Glazing Vision

Drive Voltage: 24 Volt DC

Supply Voltage: 220/240 volt AC

Kerb Information: see drawing 604-ASS-008

Glass Specification:-

Standard Glass Spec

28mm Double Glazed Unit – 6mm Toughened Outer Pane, 16mm Argon filled warm edge spacer cavity,

6mm Toughened Low E Inner Pane Colour: White RAL9010 matt and Grey RAL7015 matt

BESPOKE SIZES AND CONFIGURATIONS AVAILABLE

TECHNICAL SPECIFICATION - 3 WALL MOUNTED BOX

3 Wall Mounted Box Rooflight Technical Data

All sizes refer to Overall weathered upstand dimensions

Minimum Internal Height: 300mm Maximum Internal Height: 1500mm

Maximum Span: 2400mm Maximum Span: 2400mm

Minimum Width: 1500mm Maximum Width: 4200mm

Max footprint area: 6m² dependant on span

Speed of operation: 2-3m/min (variable) – Can be set if installed by Glazing Vision

Drive Voltage: 24 Volt DC

Supply Voltage: 220/240 volt AC

Glass Specification:-

Standard Glass Spec

28mm Double Glazed Unit – 6mm Toughened Outer Pane, 16mm Argon filled warm edge spacer cavity,

6mm Toughened Low E Inner Pane

Colour: White RAL9010 matt and Grey RAL7015 matt

BESPOKE SIZES AND CONFIGURATIONS AVAILABLE



Building management system integration - allows the skylight to be connected to an existing building managementsystem, simpleplugandplayelectronics mean that your Glazing Vision skylight can be integrated into your home at the touch of a button.



Proximity detector - safety device designed for use with access skylights, the proximity detector emits an infra red beam that when broken prevents the skylight from opening or closing until the switch is re-activated.



External push button entry - allows the user to open the skylight at the push of a button if it has been signalled to close by a rain sensor or remote control. For use where security is not compromised, if access to the roof can be gained by others we recommend the keypad or key entry systems below.



External keypad - using a pre-set pin code the external keypad allows the user to open the skylight if it has been signalled to close by a rain sensor or remote control. The keypad can be mounted directly to the frame or on an adjacent wall.



External key entry - simple lock and key system, allows the user to open the skylight if it has been signalled to close by a rain sensor or remote control.



Fire alarm connectivity - connect to an existing fire alarm system, your Glazing Vision skylight can be signalled to open automatically in the event of a fire to assist with smoke clearance. Please note that this option does not conform to any specific smoke evacuation codes and its use is at the discretion of the client.



Solenoid security bolt - additional security and peace of mind, the solenoid security bolt physically locks the moving sections of the skylight when in the fully closed position, for custom designs with more than one moving section, additional solenoid bolts can be fitted.



Rain sensor - designed to automatically close the unit during rainfall and features a heated element so that it does not trip with extremely low levels of moisture such as morning dew, it can be mounted directly to the frame or remotely on the roof to ensure that you can leave your skylight open with confidence, whatever the weather.



Suitable for home installation - skylights designed so that they can be fitted by tradespeople and competent DIY enthusiasts, this icon indicates that the skylight can be fitted without specialist equipment using only basic tools.



Mains power required - indicates that the skylight will need to be connected to mains power - Glazing Vision provide the required transformer but connection should only be made by a qualified electrician.



Remote control (standard) - operate your skylight via remote control from up to 80 ft away, the remote control is electronically paired to the control board of the skylight before it leaves our factory for complete security, so it cannot be opened using another device.



Thermostat - programmable thermostat that is available on all electronically opening skylights, vent or access. This unit allows the skylight to open automatically at a pre-set temperature dialled in by the user.



Battery back up - skylight is available with battery back up as an option, in the event of a loss in mains power your skylight will continue to operate. Glazing Vision sliding skylights operate by battery on constant trickle charge via connection to mains power, so with sliding skylights you get battery back up as standard fitment.



Downlighter - available on all square pyramid type units, the downlighter fits neatly into the apex of the skylight and can be supplied with either halogen or LED bulbs. All wiring is completely concealed in the glass to glass joint of the skylight.



Kerb Top Trim - Glazing Vision also supply an aluminium upstand cover which sits on top of the timber upstand to hide the top of the upstand from above, through the glass.



www.glazingvision.co.uk
sales@glazingvision.co.uk
0333 8000 881

**GLAZING
VISION**