

Natural Ventilation



Glazing Vision was established in 1994 by Mr Hugh Callacher

Today Glazing Vision leads the glass rooflight market with
expanding sales both domestically and internationally.

At the push of a button natural ventilation can be brought into a building allowing occupants to breath natural air,
whilst enjoying natural daylight.

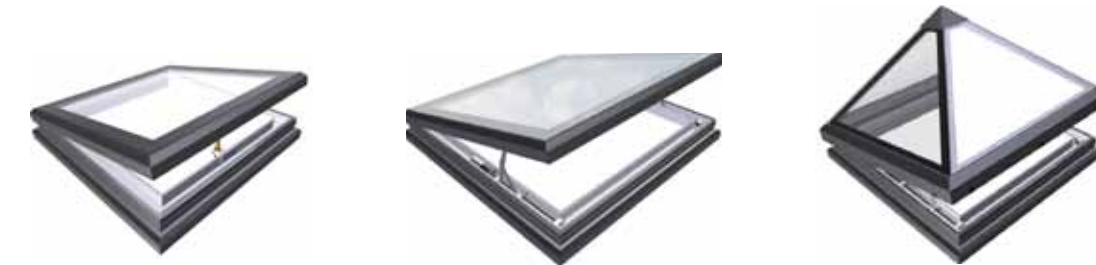




The Glazing Vision VisionVent® Rooflight was launched in 2002 and is the ideal flat roof rooflight for ventilation.

The VisionVent® comes in 2 variants for ventilation either manual operation or electric to 30 degrees (both these options are also available as a pyramid rooflight).

With concealed dual synchronized motors, manual over ride, minimal framework resulting in sky only views the VisionVent® sets the standard in the marketplace for high end rooflight ventilation.





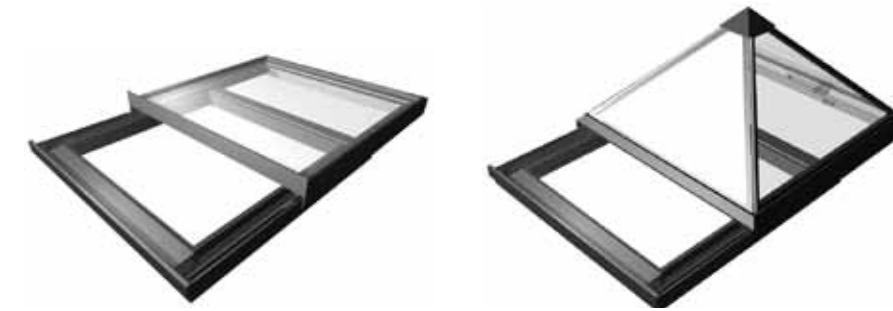
For larger glazing requirements the VisionVent® can be integrated into a Flushglaze® rooflight.

This offers a cost effective solution for ribbon glazing with opening sections.





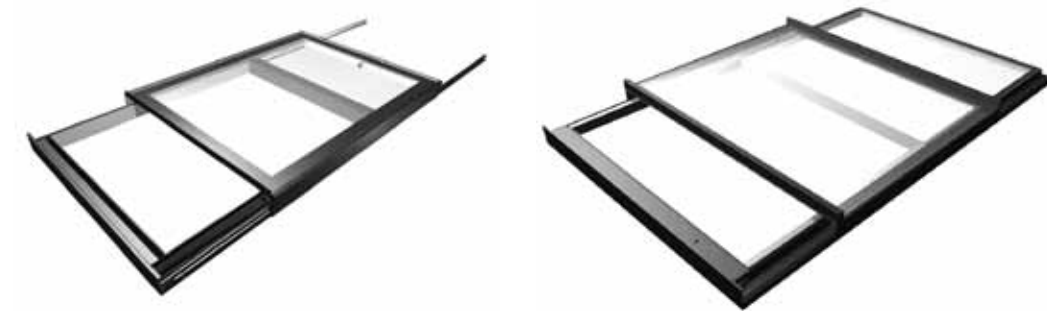
A Skyglide® is a trackless sliding rooflight, ideal when roof space is at a premium, available as a flat Flushglaze® variant or a pyramid variant (complete with standard downlighter).





There are many variations of sliding rooflights however the most popular versions are now standards and known as the GV Standard Sliding over Roof & GV Standard Sliding over Fixed, where size permits.

GV also offer a complete Bespoke design option for larger sizes and alternative sliding configurations (sliding stacking & bi parting)



TECHNICAL SPECIFICATION - VISIONVENT®

Standard Stock Sizes (48 hour delivery)
All sizes refer to Overall weathered upstand dimensions

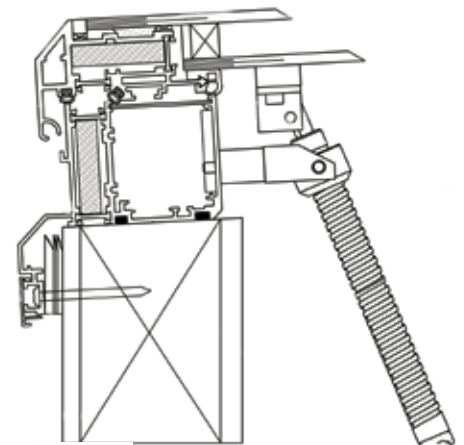
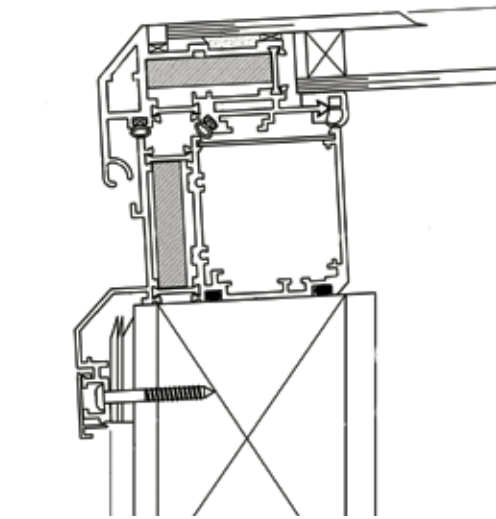
Manual VisionVent (vent only)
1000mm x 1000mm
Electric VisionVent (vent only)
1000mm x 1500mm
1000mm x 2000mm
(All stock sizes come in our standard RAL7015 Slate Grey Outer, RAL9010 White Inner)

Electric VisionVent (vent only)
Minimum Span: 865mm
Maximum Span: 2400
Minimum Width: 845mm
Maximum Width: 2400mm
Maximum Area: 3m²
Kerb Width: 100mm Minimum, recommended 140mm
Kerb Height Minimum: 150mm
Minimum Kerb pitch: 3-5°
Maximum Pitch: 70 degrees

Manual VisionVent (vent only)
Minimum Span: 450mm
Maximum Span: 2400mm
Minimum Width: 450mm
Maximum Width: 2400mm
Maximum Area: 2.25m²
Kerb Width: 100mm Minimum, recommended 140mm
Kerb Height Minimum: 150mm
Minimum Kerb pitch: 3-5° Max Pitch: 70°

Glass Specification:-
Standard Glass Spec
32mm Double Glazed Unit – 6mm Toughened Outer Pane, 20mm Argon filled cavity warm edge spacer, 6mm Toughened Low E Inner Pane

Both options also available as a Pyramid rooflight.
Various glass specifications can be provided for dependent on the client's requirement, whether the need for improved solar performance or increased security we will produce a configuration to suit.



TECHNICAL SPECIFICATION - SKYGLIDE®

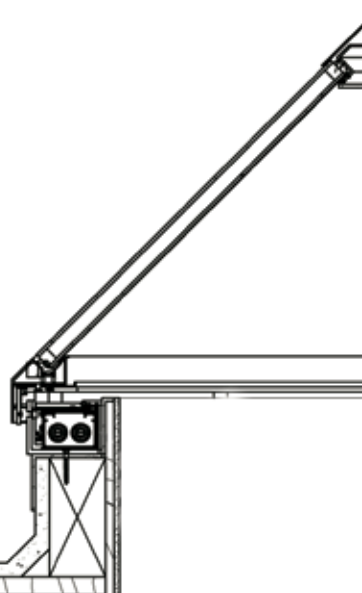
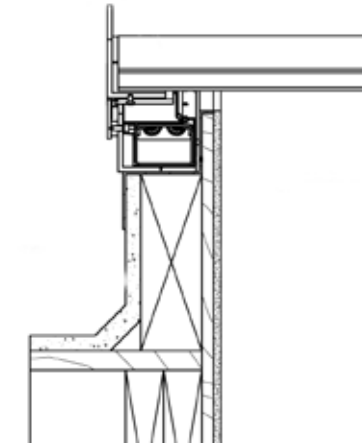
Standard Stock Sizes (48 hour delivery)
All sizes refer to Overall weathered upstand dimensions
Flat Flushglaze® Skylight stocked only
1000mm x 1000mm
1000mm x 1500mm
1000mm x 2000mm
(All stock sizes come in our standard RAL7015 Slate Grey)

Flat Flushglaze® Skylight®
Minimum Span: 800mm
Maximum Span: 2000mm
Minimum Width: 550mm
Maximum Width: 1500mm
Kerb Width Minimum: 105mm
Kerb Height Minimum: 150mm
Minimum Kerb pitch: 0-5°
Maximum Kerb pitch: 10°

Pyramid Skylight®
Minimum Span Square: 800mm
Maximum Span: 1500mm
Minimum Span Elongated: 800mm
Minimum Width Square: 800mm
Maximum Width: 1500mm
Minimum Width Elongated: 550mm
Kerb Width Minimum: 105mm
Kerb Height Minimum: 150mm
Minimum Kerb pitch: 0-5°

Glass Specification:-
Standard Glass Spec
28mm Double Glazed Unit – 4mm Toughened Outer Pane, 20mm Argon filled warm edge spacer cavity, 4mm Toughened Inner Pane

Various glass specifications can be provided for dependent on the client's requirement, whether the need for improved solar performance or increased security we will produce a configuration to suit.



TECHNICAL SPECIFICATION - SLIDING OVER ROOF

All sizes refer to Overall weathered upstand dimensions

GV Standard Sliding over Roof

Minimum Span: 1300mm

Maximum Span: 3100mm

Minimum Width: 750mm

Maximum Width: 4000mm

Kerb height: 150mm

Minimum thickness: see drawing 602-ASS-013

Minimum Kerb pitch: 3-5°

Maximum pitch: 10°

Colour: RAL7015 Grey as standard

Glass specification: 28mm DGU6mm Toughened Outer Pane, 16mm Argon filled warm edge spacer cavity, 6mm Toughened Low E Inner Pane

The above is for the standard range only, anything outside these sizes can be manufactured bespoke but will need to be designed by GV.

TECHNICAL SPECIFICATION - SLIDING OVER FIXED

All sizes refer to Overall weathered upstand dimensions

GV Standard Sliding over Roof

Min Span = 1150mm Max Span = 2400mm

Min Width = 1500mm Max Width = 8000mm

Kerb Height: 150mm

Min Thickness: see drawing 603-ASS-004

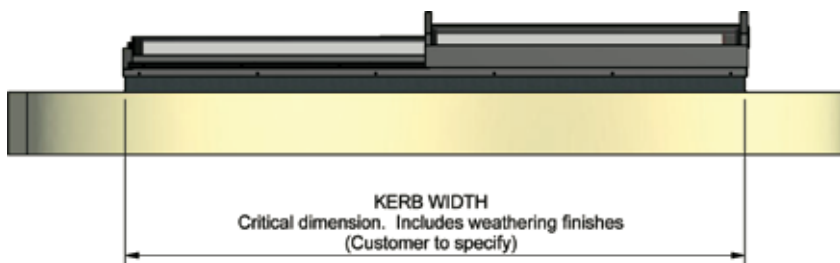
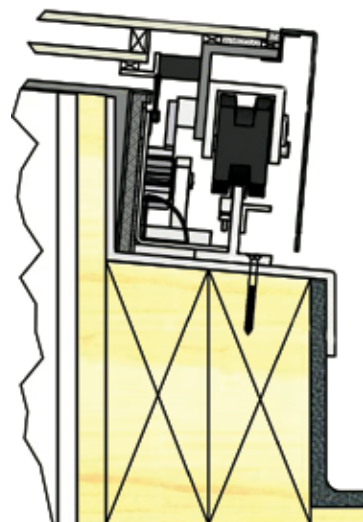
Minimum Kerb pitch: 3-5°

Max pitch: 10°

Colour: RAL7015 Grey as standard

Glass specification: 28mm DGU6mm Toughened Outer Pane, 16mm Argon filled warm edge spacer cavity, 6mm Toughened Low E Inner Pane

The above is for the standard range only, anything outside these sizes can be manufactured bespoke but will need to be designed by GV.



Building management system integration - allows the skylight to be connected to an existing building managementsystem, simpleplugandplayelectronics mean that your Glazing Vision skylight can be integrated into your home at the touch of a button.



Proximity detector - safety device designed for use with access skylights, the proximity detector emits an infra red beam that when broken prevents the skylight from opening or closing until the switch is re-activated.



External push button entry - allows the user to open the skylight at the push of a button if it has been signalled to close by a rain sensor or remote control. For use where security is not compromised, if access to the roof can be gained by others we recommend the keypad or key entry systems below.



External keypad - using a pre-set pin code the external keypad allows the user to open the skylight if it has been signalled to close by a rain sensor or remote control. The keypad can be mounted directly to the frame or on an adjacent wall.



External key entry - simple lock and key system, allows the user to open the skylight if it has been signalled to close by a rain sensor or remote control.



Fire alarm connectivity - connect to an existing fire alarm system, your Glazing Vision skylight can be signalled to open automatically in the event of a fire to assist with smoke clearance. Please note that this option does not conform to any specific smoke evacuation codes and its use is at the discretion of the client.



Solenoid security bolt - additional security and peace of mind, the solenoid security bolt physically locks the moving sections of the skylight when in the fully closed position, for custom designs with more than one moving section, additional solenoid bolts can be fitted.



Rain sensor - designed to automatically close the unit during rainfall and features a heated element so that it does not trip with extremely low levels of moisture such as morning dew, it can be mounted directly to the frame or remotely on the roof to ensure that you can leave your skylight open with confidence, whatever the weather.



Suitable for home installation - skylights designed so that they can be fitted by tradespeople and competent DIY enthusiasts, this icon indicates that the skylight can be fitted without specialist equipment using only basic tools.



Mains power required - indicates that the skylight will need to be connected to mains power - Glazing Vision provide the required transformer but connection should only be made by a qualified electrician.



Remote control (standard) - operate your skylight via remote control from up to 80 ft away, the remote control is electronically paired to the control board of the skylight before it leaves our factory for complete security, so it cannot be opened using another device.



Thermostat - programmable thermostat that is available on all electronically opening skylights, vent or access. This unit allows the skylight to open automatically at a pre-set temperature dialled in by the user.



Battery back up - skylight is available with battery back up as an option, in the event of a loss in mains power your skylight will continue to operate. Glazing Vision sliding skylights operate by battery on constant trickle charge via connection to mains power, so with sliding skylights you get battery back up as standard fitment.



Downlighter - available on all square pyramid type units, the downlighter fits neatly into the apex of the skylight and can be supplied with either halogen or LED bulbs. All wiring is completely concealed in the glass to glass joint of the skylight.



Kerb Top Trim - Glazing Vision also supply an aluminium upstand cover which sits on top of the timber upstand to hide the top of the upstand from above, through the glass.



www.glazingvision.co.uk
sales@glazingvision.co.uk
0333 8000 881

**GLAZING
VISION**