



Turbine Gas Meter TBZ / TBX Series



Model TBX

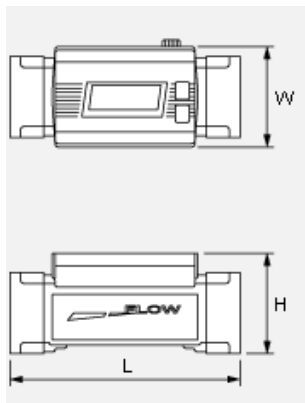
Specifications

Model		TBX30L	TBX100L	TBX100F	TBX150F
Flow range (m³/h)		1.5-30	10-100	10-100	12.5-150
Max.pressure (kgf/cm²)		1.0 (98kPa)			
Accuracy	Flow measurement section	±1%FS			
	Arithmetic display section	-			
Display	Integrated flow Total	LCD 8 digit, Minimum reading 10 liters			LCD 8 digit, Minimum reading 100 liters
	Trip (Re-set Total)	LCD 6 digit, Minimum reading 10 liters			LCD 6 digit, Minimum reading 100 liters
	Instantaneous Rate	LCD 4 digit, Minimum reading 0.1m³/h			LCD 3 digit, Minimum reading 1m³/h
	Temperature	-			
Pressure		-			
Temperature/pressure compensation		-			
Connection		3/4", 1", 1 1/4", 1 1/2"	2" BSP	2" Flanged	
Operating temperature		0 to 60°C			-10 to 60°C
Installation position		Horizontal, Vertical			
Measurable gases		* Natural gas, LPG, Air, etc.			
Battery		Built-in lithium battery with a life of 7 years (Approx)			
Output pulse		High & Low Frequency Pulse Output			
Installation		Indoor			
Case material		Aluminum alloy	Cast iron	Aluminum alloy	
Weight (kg)		0.8	1.8	7.0	2.5

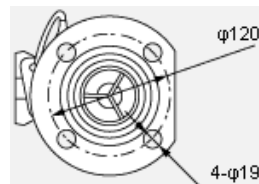
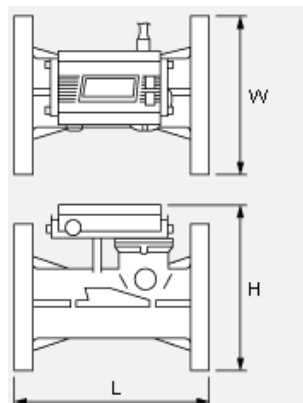
* Please avoid installing the meter in a place where carbonate substance (C5 or above) from LPG or City Gas, oil mist, and/or dust powder are in the atmosphere.

External Dimensions

TBX 30/100



TBX 100F/150F



(Units : mm)

	L	H	W
TBX30	170	74	73
TBX100	200	100	85
TBX100F	200	161	Φ155
TBX150	200	148	Φ155