

# FPP Industrial Meters

## 1 1/2" Aluminum, Oval Gear Meter Model TS15A



TS15AV06  
Representative Model

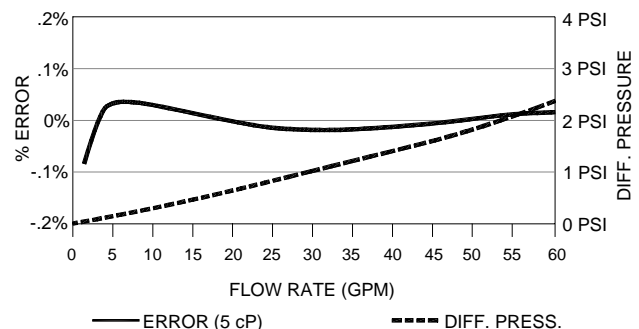
### Specifications

- **Flow Rate**  
6-60 GPM, viscosities to 300 CST  
23-230 LPM, viscosities to 300 CST
- **Pressure**  
150 PSI @ 100°F (10 Bar @ 40°C)  
400 PSI @ 100°F (28 Bar @ 40°C) Meter only
- **Temperature**  
300°F (149°C) RSFS only  
200°F (100°C) mechanical registers  
185°F (85°C) HEFS only  
Other limits may apply to electronic devices
- **Viscosity**  
Full nominal flow rate to 300 CST  
Up to 350,000 CST with special gears
- **Connections**  
1 1/2" NPT or BSP  
Optional: 1 1/2" ANSI flange adaptors
- **Materials**  
Case: Anodized Aluminum  
Oval gears: Ryton® (PPS)  
Posts: 17-4 PH Stainless Steel  
Seals: Viton™ (Teflon™ optional)

### Industrial Performance

- **Linearity**  
+/- 0.25% @ 1 CST
- **Repeatability**  
+/- 0.1%
- **Resolution**  
Flow Sensor: 34 PPG  
Optional: 67 PPG
- **Calibration**  
Mechanical: 1/10 gallon, lbs., liter & kg  
Electronic: Any unit of mass or volume

### Delta P & Accuracy Curves



### Registration Options

- Mechanical register: 4, 5 or 6 digit
- Mechanical register/printer, register/preset, or register/preset/printer combination
- Battery-powered electronic totalizer or register
- Electronic AC batch controllers, flow computers, and temperature compensation
- NEMA 4X & NEMA 7/4 enclosures

### Accessories

- Inlet strainer for meter protection
- Air eliminator on inlet strainer
- Air check valve with air eliminator
- Mechanical preset (shut-off) valve
- Electric or pneumatic preset valve
- Pulse output, analog signal & serial port
- Pulse Isolator/Amplifier/Splitter
- Pump control signal

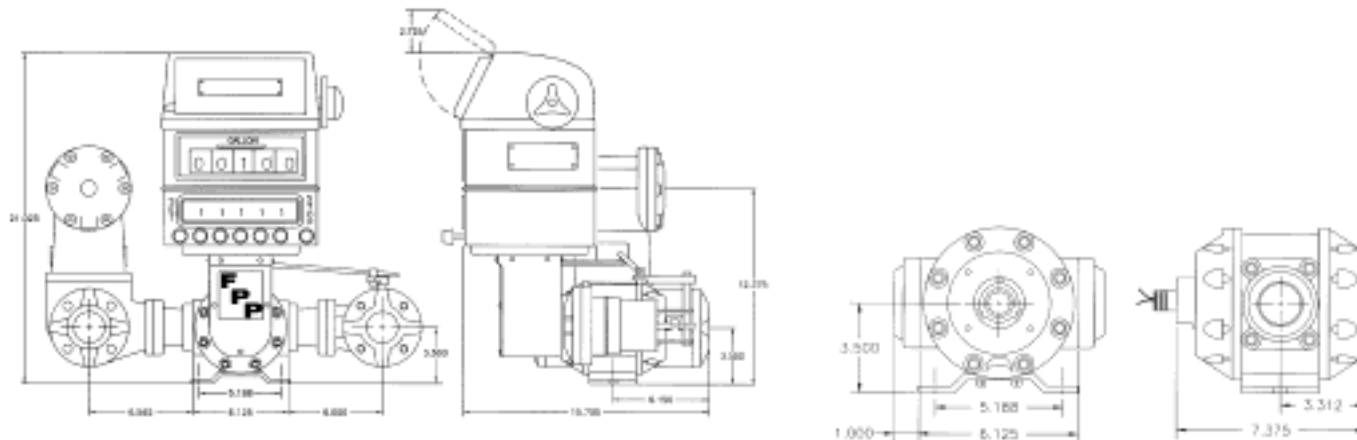
### Note: Recommended protection

Inlet strainer, depending upon viscosity, with 20, 40 or 80 mesh basket

**Dimensional Drawings:** All dimensions are in inches.

Representative Models shown: TS15AV17

TS15ASRS



**Warranty**

Tuthill Transfer Systems ("Manufacturer") warrants to each buyer of its FPP Meters products (the "Buyer") for a period of 12 months from date of invoice or sales receipt, but in no event more than 18 months from date of manufacture, that goods of its manufacture ("Goods") will be free from defects of material and workmanship. Manufacturer's sole obligation under the foregoing warranties will be limited to either, at Manufacturers' option, replacing or repairing defective Goods (subject to limitations hereinafter provided) or refunding the purchase price for such Goods theretofore paid by the Buyer, and Buyer's exclusive remedy for breach of any such warranties will be enforcement of such obligations of Manufacturer. If Manufacturer so requests the return of the Goods, the Goods will be redelivered to Manufacturer in accordance with Manufacturer's instructions F.O.B. Factory. The remedies contained herein shall constitute the sole recourse of the Buyer against Manufacturer for breach of warranty. IN NO EVENT SHALL MANUFACTURER'S LIABILITY ON ANY CLAIM FOR DAMAGES ARISING OUT OF THE MANUFACTURE, SALE, DELIVERY OR USE OF THE GOODS EXCEED THE PURCHASE PRICE OF THE GOODS. The foregoing warranties will not extend to Goods subjected to misuse, neglect, accident or improper installation or maintenance, or which have been altered or repaired by anyone other than Manufacturer or its authorized representative. THE FOREGOING WARRANTIES ARE EXCLUSIVE AND IN LIEU OF ALL OTHER WARRANTIES OF MERCHANTABILITY, FITNESS FOR PURPOSE OF ANY OTHER TYPE, WHETHER EXPRESS OR IMPLIED. No person may vary the foregoing warranties and remedies except in writing signed by a duly authorized officer of Manufacturer. Warranties or remedies that differ from the foregoing shall not otherwise be binding on Manufacturer. The Buyer's acceptance of delivery of the Goods constitutes acceptance of the foregoing warranties and remedies, and all conditions and limitations thereof.



Bell Flow Systems Ltd

7 Swan Business Centre - Osier Way  
Buckingham - England - MK18 1TB

☎: +44 (0)1280 817304

☎: +44 (0)1280 817185

✉: sales@bellflowsystems.co.uk

🌐 [www.bellflowsystems.co.uk](http://www.bellflowsystems.co.uk)