

## FPP INDUSTRIAL METERS

### 3" Aluminum, Oval Gear Meter Model TS30A



Model Number TS30AE13

### Specifications

#### Flow Rate

20-200 GPM, viscosities to 300 cSt  
76-760 LPM, viscosities to 300 cSt

#### Pressure

150 PSI @ 100°F (10 Bar @ 40° C)  
400 PSI @ 100° F (28 Bar @ 40° C)

#### Temperature

300°F (80° C)  
185° F (85° C ) RSFS only  
Other limits may apply to electronic devices

#### Viscosity

Full nominal flow rate to 300 cSt to 350,000 cSt  
at reduced flow rates with special gears

#### Connections

150# RF ANSI flanges

#### Materials

Case: Anodized Aluminum

Oval gears: Ryton™ (PPS), Teflon™ optional

Posts: 17-4 PH Stainless Steel

Seals: Viton™, Teflon™ optional

### Industrial Performance

#### Linearity

+/- 0.25% @ 1 cSt

#### Repeatability

+/- 0.1%

#### Resolution

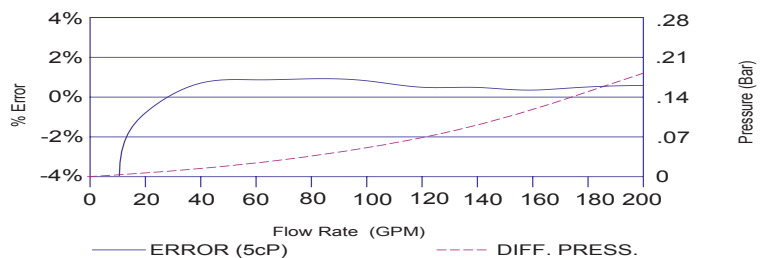
Flow Sensor: 51 PPG

#### Calibration

Mechanical: 1/10 gallon, whole gallon, lbs., liter,  
dekaliters & kg

Electronic: Any unit of mass or volume

### Delta P & Accuracy Curves



### Registration Options

- \* Mechanical Register: 4, 5 or 6 digit
- \* Mechanical register/printer, register/preset, or register/preset/printer combination
- \* Battery-powered electronic totalizer or register
- \* Electronic AC batch controllers, flow computers, and temperature compensation
- \* NEMA 4X & NEMA 7/4 enclosures

### Accessories

- \* Inlet strainer for meter protection
- \* Air eliminator on inlet strainer
- \* Air check valve with air eliminator
- \* Mechanical preset (shut-off) valve
- \* Electric or pneumatic preset valve
- \* Pulse output, analog signal & serial port
- \* Pulse Isolator/Amplifier/Splitter
- \* Pump control signal

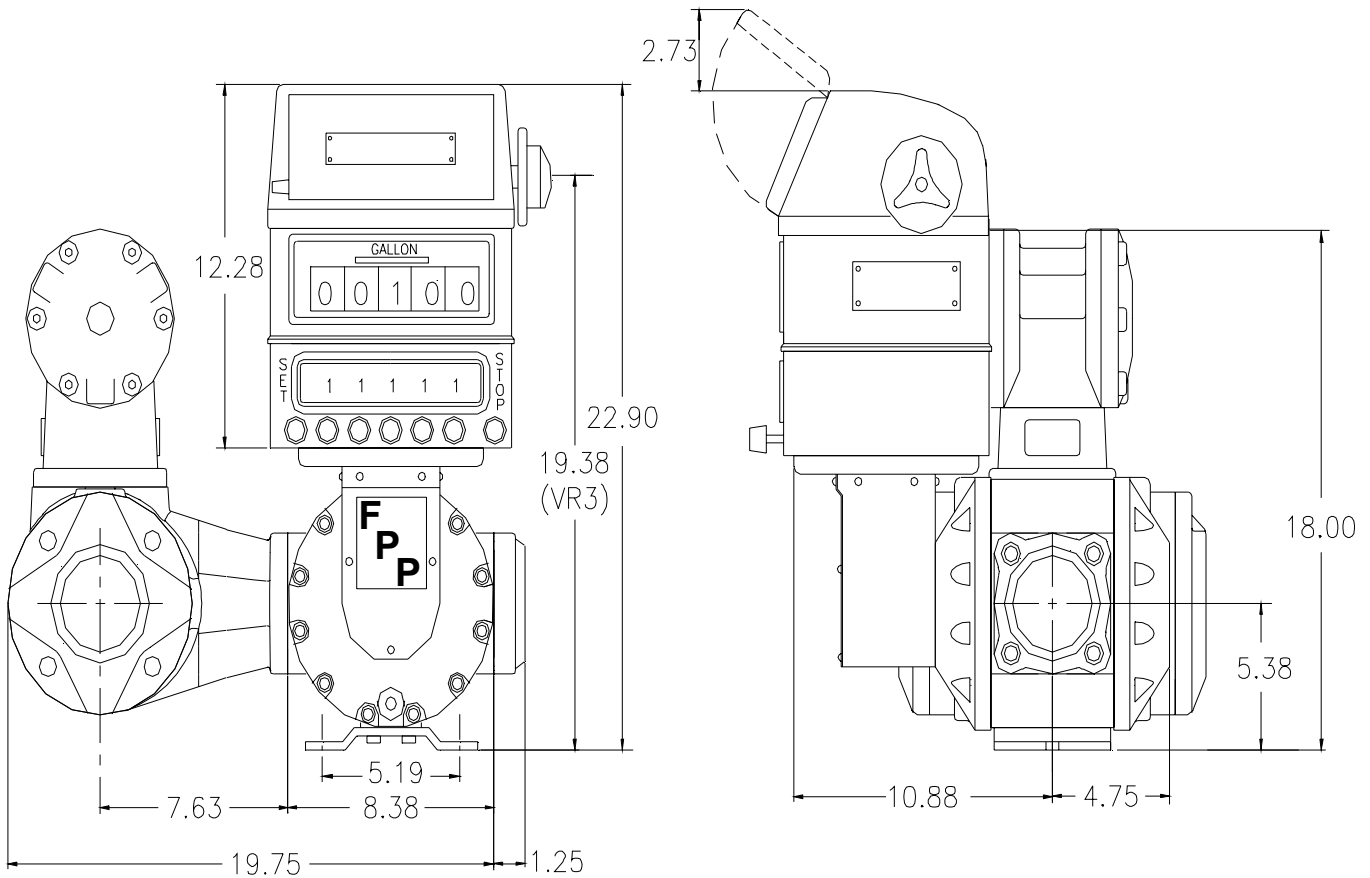
#### Note: Recommended protection

Inlet strainer, depending upon viscosity,  
with 20, 40 or 80 mesh basket

# DIMENSIONAL DRAWINGS



**Dimensional Drawings:** All dimensions are in inches



48513 Highway 51, P.O. Box 400  
Tickfaw, Louisiana USA 70466  
Tel: 985-542-5200 Fax: 985-542-7394  
www.tuthill.com

DISTRIBUTED BY: Bell Flow Systems Ltd

7 Swan Business Centre - Osier Way  
Buckingham - England - MK18 1TB

☎: +44 (0)1280 817304

☎: +44 (0)1280 817185

✉: sales@bellflowsystems.co.uk

🌐 www.bellflowsystems.co.uk