

BATHROOM SOLUTIONS

INNOVATIVE BATHROOM
PRODUCTS WITH
ELEGANT SCANDINAVIAN
DESIGN



”At Ropox we believe it makes sense to produce great designs that can help other people.”

Ropox offers flexible bathroom solutions to compensate for reduced physical ability. Products are ergonomical, strong and provide extra support during washing, toileting and bathing.

We are proud of our goals:

- To help people with reduced physical ability to be more independent and to improve, everyday life and self-esteem.
- To make investment in the product economically attractive – in terms of both space-saving (fewer square metres) and fewer care resources.
- To give carers a better working day with a better working environment and fewer days off sick.

That almost completes the story, but we have added that finishing touch:

”At Ropox we believe it makes sense to produce great design, that can help other people”. At Harrit & Sørensen we spend a long time in the field to better understand our users. We look for precisely the right angle in a product – we dig for gold. Our philosophy is that design must make a difference; it has to be necessary, arouse emotions and must last - sometimes an entire lifetime.”

Nikolaj Sørensen – Partner at Harrit & Sørensen

4 ROPOX BATHROOM SOLUTIONS

6 ROPOX SWING WASHBASIN & DOCK-IN

8 ROPOX GRAB RAILS

9 ROPOX SUPPORT WASHBASIN

10 ROPOX TOILET SUPPORT ARMS

12 ROPOX SHOWER SEAT WITH ARM- AND BACK SUPPORT

14 ROPOX CHANGING & SHOWER BED

ROPOX BATHROOM SOLUTIONS



The washbasin with built-in handles, provides support and increased security in the bathroom.



The wash basin gives improved hygiene, as washing of hands can take place before a transfer is made.



Complete bathroom solution with swing washbasin

In bathrooms the swing washbasin, a wheelchair user can easily use the sink sitting down and thereby minimize any risk of falling.

The swing washbasin can be moved as required, allowing more room to maneuver a wheelchair.

The flexible washbasin provides more space to design complete bathrooms with fewer m².

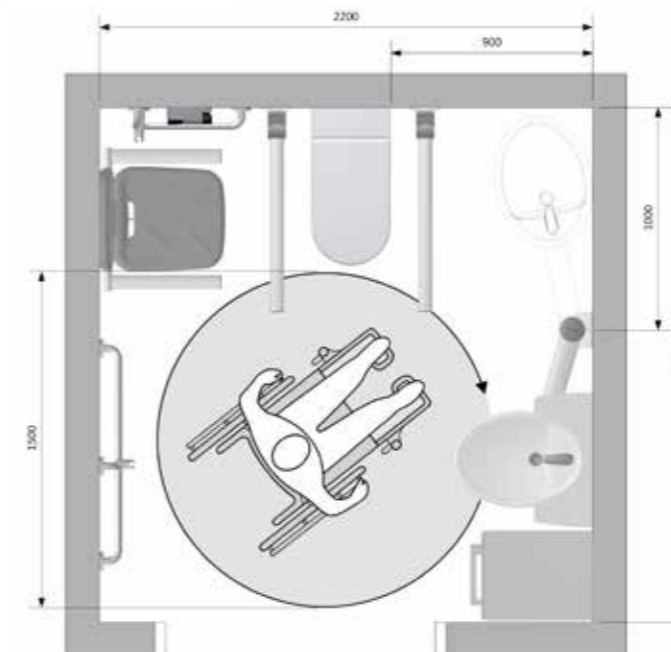


Complete bathroom solution with support washbasin

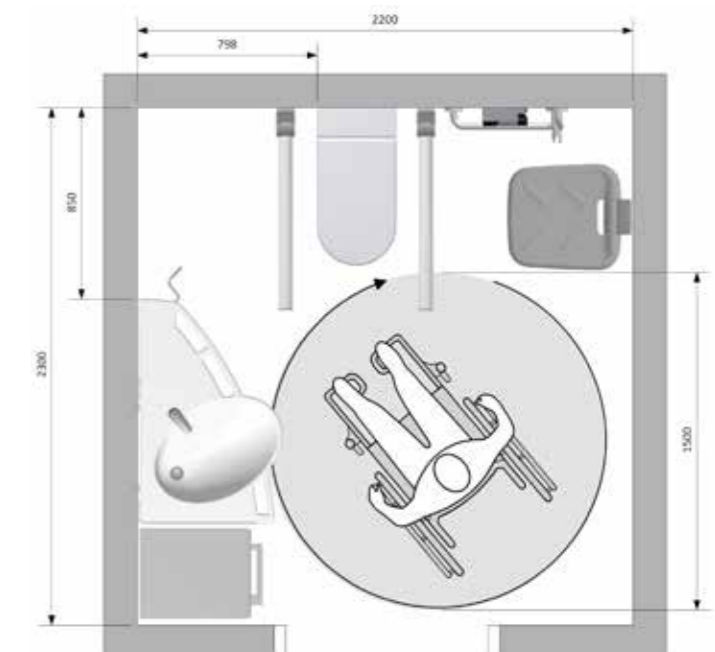
The support washbasin is robust and particularly suitable for disabled.

Along with the shower seat and the custom-designed support arms, the user has support and the opportunity to sit safely while bathing or using the bathroom in general.

The washbasin can be height adjusted to provide an exact fit for the individual user.



Interior with Swing washbasin



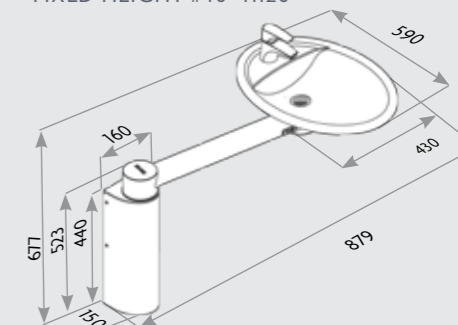
Interior with Support washbasin



VARIANTS

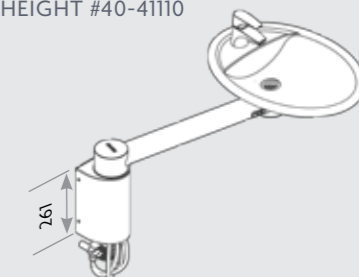
WITH LONG COVER

HEIGHT ADJ. #40-41140
FIXED HEIGHT #40-41120

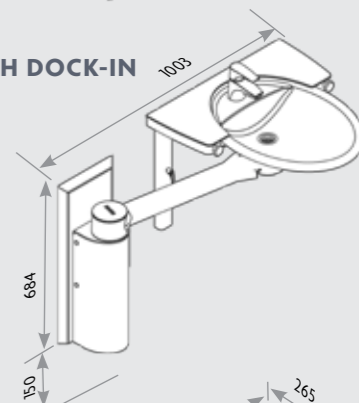


WITH SHORT COVER

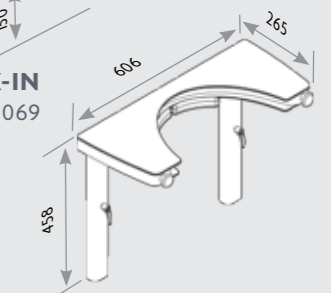
HEIGHT ADJ. #40-41130
FIXED HEIGHT #40-41110



WITH DOCK-IN



DOCK-IN #40-40069



ROPOX SWING WASHBASIN & DOCK-IN

The shape and size of the washbasin ensures that seated and standing users can use the basin from the front or sides. A model of the washbasin can also be height adjusted to suit individual users.

- 1. Increased independence** – Users will be able to use the washbasin and the toilet on their own, giving them greater independence while carers can deal with other tasks.
- 2. Space optimisation** – The basin's ability to swing 180° gives more space for wheelchair users and can make smaller rooms more accessible.
- 3. Improved hygiene** – Users are able to wash their hands after toileting before transfer.

ROPOX SWING WASHBASIN

MATERIALS

GELCOATED COMPOSITE
ALUMINIUM
STAINLESS STEEL
COATED STEEL

FUNCTIONAL DIMENSIONS

THE ARM SWINGS 180°
THE WASHBASIN SWINGS 180°
HEIGHT ADJUSTMENT RANGE 150 MM

ROPOX DOCK-IN

MATERIALS

COATED STEEL
STAINLESS STEEL
COMPACT LAMINATE

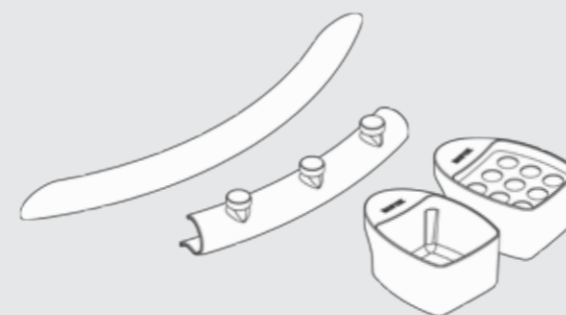
LOAD BEARING CAPACITY

SWING WASHBASIN & DOCK-IN
MAX. 300 KG (150 KG WITH REF. TO DS/EN 12182)

FUNCTIONAL DIMENSIONS

HEIGHT ADJUSTMENT RANGE 150 MM

ACCESSORY KIT (INCL. WALLMOUNT/WITHOUT WALLMOUNT) #40-41150/#40-41145



PLUG WITH OVERFLOW #40-40935



- 1. Useful space** – Use of a dock-in means that there is space to put things down within reach.
- 2. Great security for user** – The use of Dock-in provides a sense of security for users who need extra support.

ROPOX GRAB AND SHOWER RAILS



The handles are a great help for people who need a little more support in their bathroom. They can also serve as towel rails.

- 1. Greater safety** – Provide peace of mind for users and can make self-reliant users independent of carers.
- 2. Easy to clean** – The smooth surfaces making it easy to clean.



ROPOX SUPPORT WASHBASIN



MATERIALS
GELCOATED COMPOSITE
STAINLESS STEEL
PLASTIC

LOAD BEARING CAPACITY
MAX 400 KG (200 KG WITH REF. TO DS/EN 12182)

FUNCTIONAL DIMENSIONS
HEIGHTADJUSTABLE 300 MM.

LEFT VERSION



RIGHT VERSION

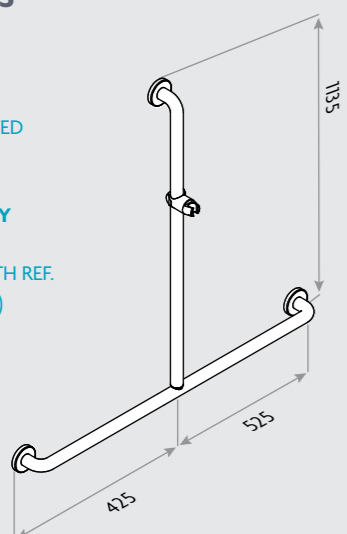


VARIANTS

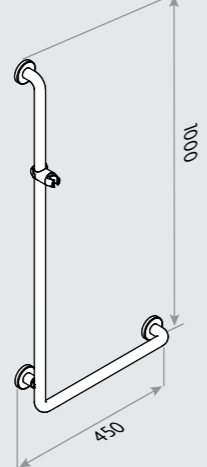
MATERIALS
POWDER-COATED ALUMINUM

LOAD CAPACITY
MAX. 400 KG.
(120-250 KG WITH REF. TO DS/EN 12182)

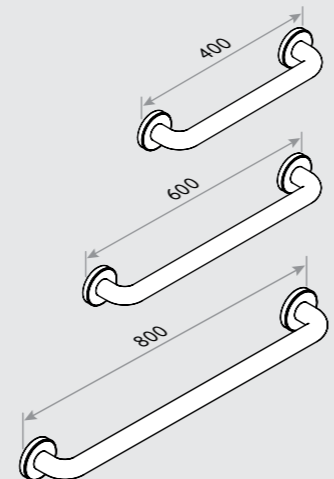
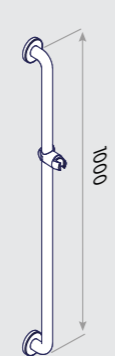
#40-44113
250 kg



#40-44112
250 kg



#40-44111
250 kg



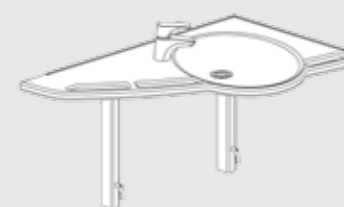
#40-44108
200 kg

#40-44109
160 kg

#40-44110
120 kg

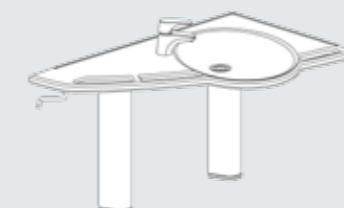
- BASIC

#40-44012 / 40-44013



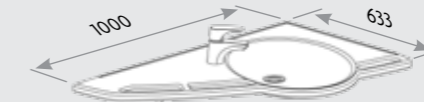
- MANUAL & ELECTRIC

#40-44014 / 40-44015 - #40-44016 / 40-44017



- FIXED

#40-44010 / 40-44011



ACCESSORY

CAPE

#40-44021 / 40-44022



Basin that is height-adjustable and ideal for bathrooms used by multiple users with individual needs. It may be in hospitals and nursing homes, but also in private homes.

1. Easy to clean - A perfect and elegant design that minimizes dirt from accumulating.

2. Manual/Electric height adjustment - Easy to use without tools, but just a Ropox crank or pushbutton.

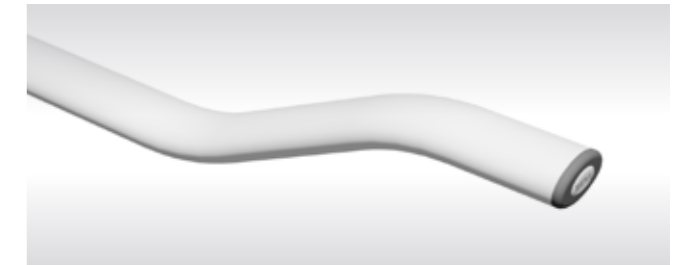
ROPOX TOILET SUPPORT ARMS



Random positioning – The arms may be folded up to any angle making them more convenient to pull down.



Height-adjustable toilet support arms – The height of all toilet support arms can be adjusted by using the wall fitting.



Two built-in height settings – With 90 mm. differential, the toilet support arms are extremely useful when standing up and transferring.



Good grip – Their oval shape provides a good, comfortable grip and the colour also makes it ideal for the visually impaired.



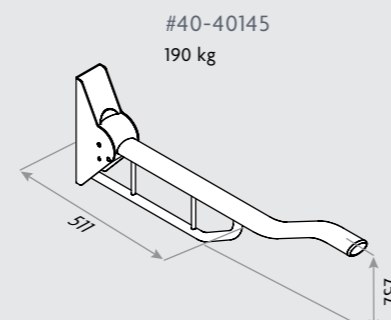
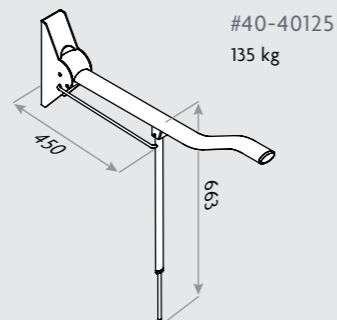
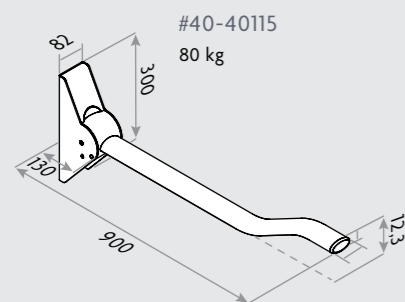
Standing/sitting attachment – Makes for a good grip when transferring.

MATERIALS
ALUMINIUM
PLASTIC
STAINLESS STEEL

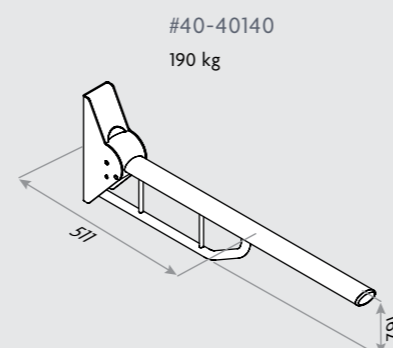
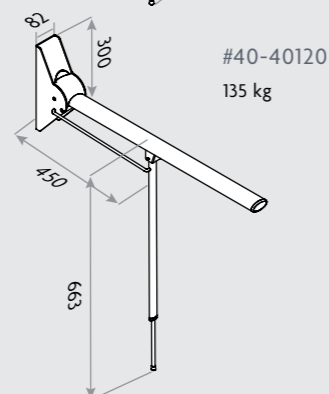
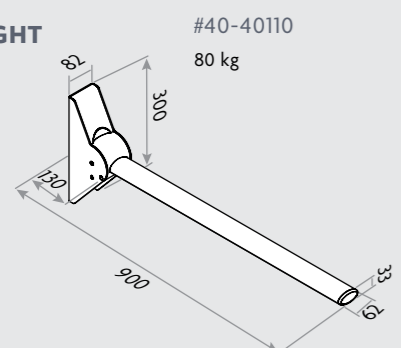
LOAD BEARING CAPACITY
MAX 400 KG (WITH REF. TO DS/EN 12182. PLS. SEE PICTURES ON PAGE 10)

VARIANTS

WAVE

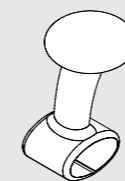


STRAIGHT

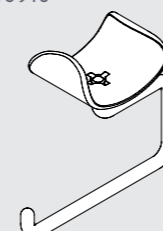


ACCESSORY

STANDING / SITTING ATTACHMENT
#40-40925

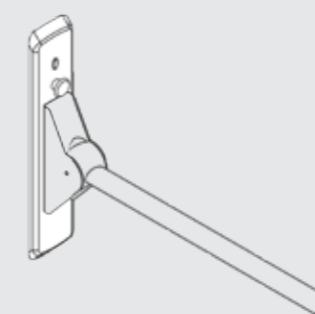


TOILET ROLL HOLDER
#40-40910



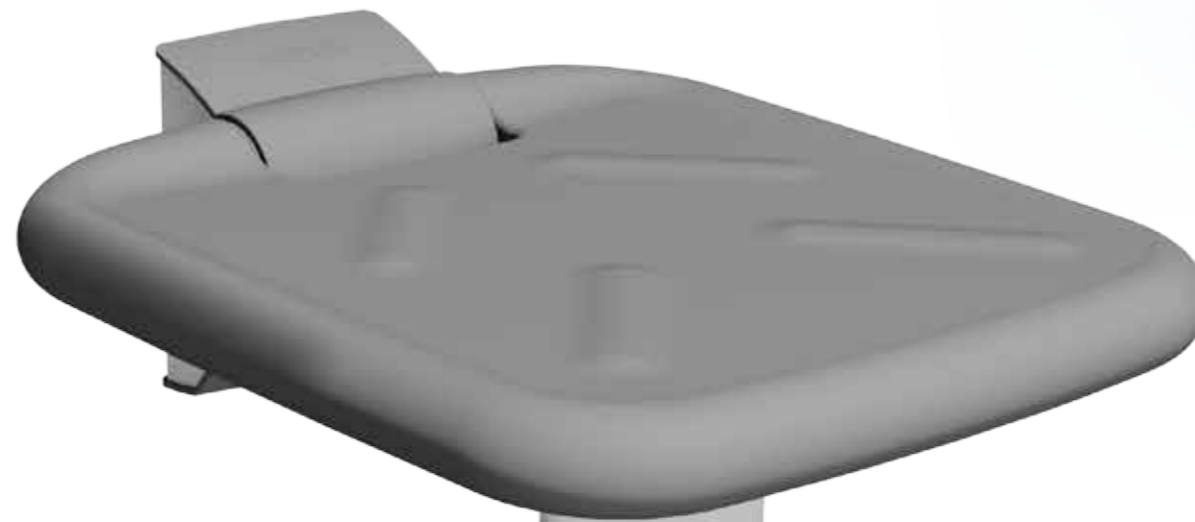
HEIGHT ADJUSTABLE UNIT
#40-40907

Can be used with all variants and can be height adjusted by 120 mm.



User-friendly adjustment – The toilet roll holder can be clicked on and rotated 90 degrees to the best position for the user.



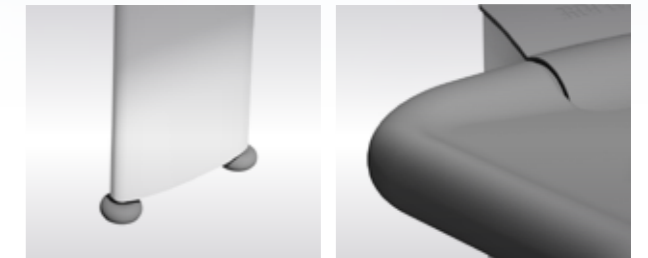


MATERIALS
 PUR FOAM
 ALUMINIUM
 PLASTIC
 STAINLESS STEEL

LOAD BEARING CAPACITY
 MAX 500 KG (200 KG WITH A
 LEG AND 150 KG WITHOUT A
 LEG WITH REF. TO DS/EN 12182)

The Ropox shower seat is ideal for bathrooms where support is needed during bathing and where space is restricted. The shape ensures secure and pleasant showering.

- 1. Heavy load** – The standard max. load is 150 kg, and the seat is also available with leg to increase the load to 200 kg.
- 2. Space-saving** – The seat can be folded up to give more free space.
- 3. Greater comfort** – The material used is hard-wearing and insulating, and the seat does not feel cold or hard.
- 4. Hygiene in focus** – The seat is totally sealed polyurethane which feels warm and has soft round corners and soft edges to facilitate cleaning.



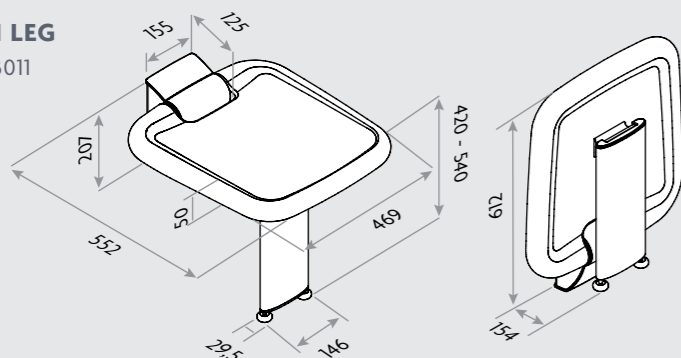
Variable seat height – The variant with leg can be mounted for sitting heights between 420 mm to 540 mm using the discrete adapter

Extremely comfortable – The seat is designed in a comfortable material and in a size and shape that provides great comfort. It also has an easy-to-grasp edge to help transfers.

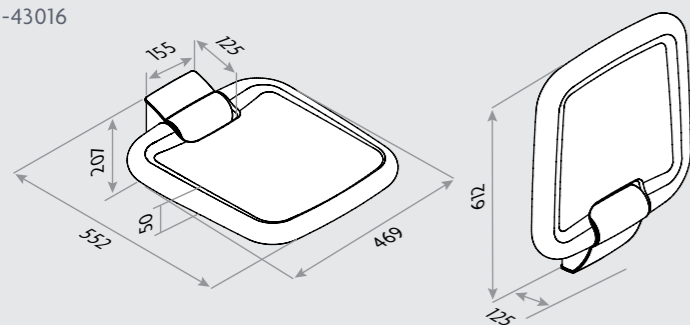
ROPOX SHOWER SEAT WITH ARM- & BACK SUPPORT

VARIANTS

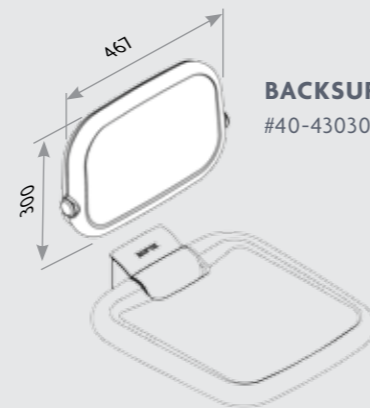
WITH LEG
 #40-43011



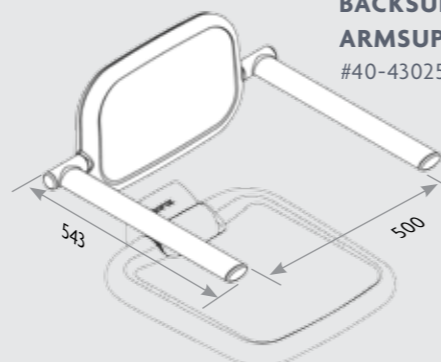
WITHOUT LEG
 #40-43016



BACKSUPPORT
 #40-43030

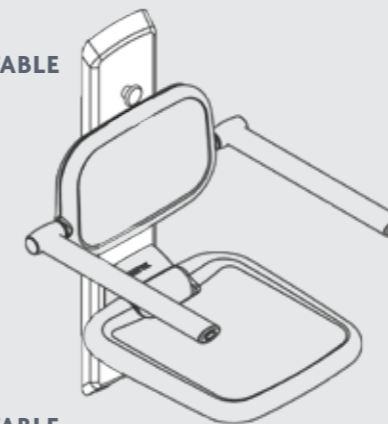


**BACKSUPPORT AND
 ARMSUPPORTS**
 #40-43025

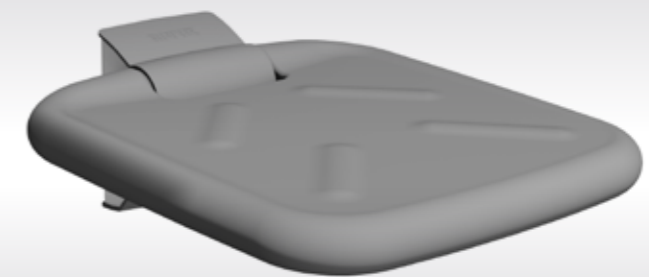
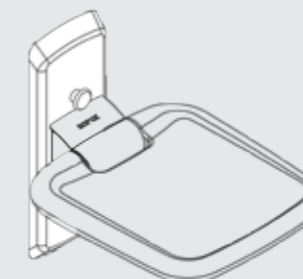


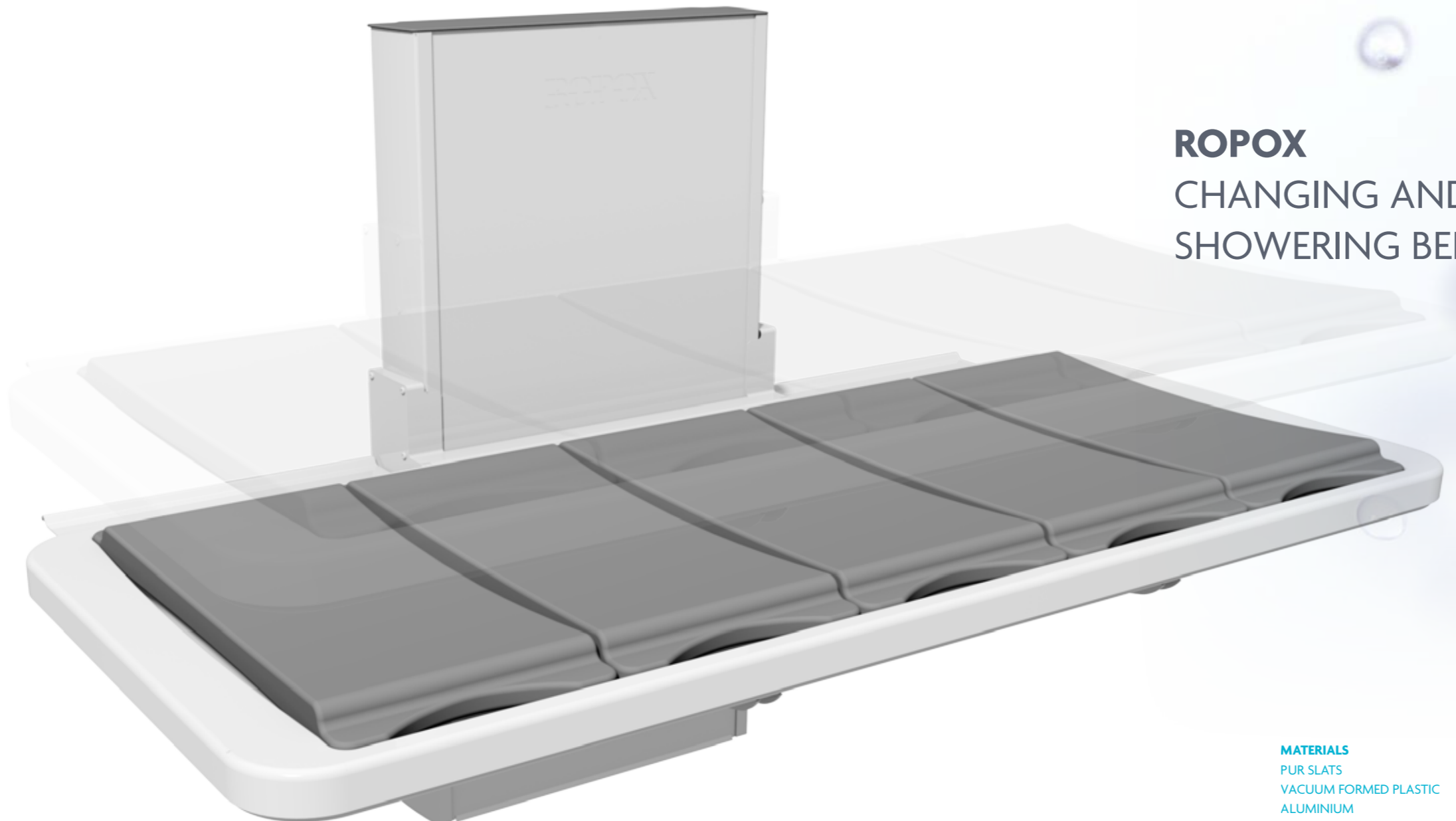
ACCESSORY

**HEIGHT ADJUSTABLE
 UNIT**
 #40-43043

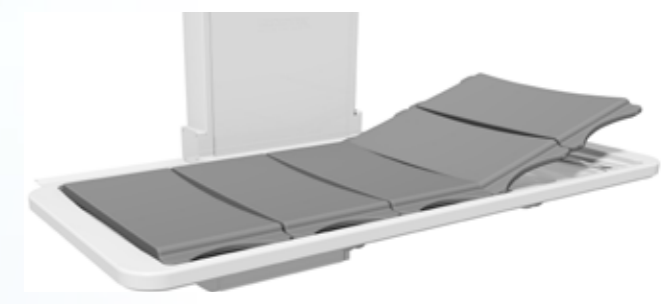


**HEIGHT ADJUSTABLE
 UNIT**
 #40-43044





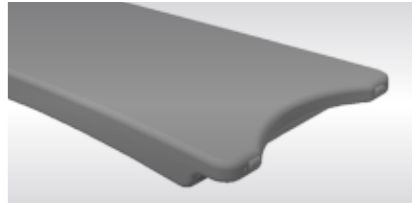
ROPOX CHANGING AND SHOWERING BED



Comfortable backrest - giving good support and comfort



Electrical height adjustable bed 300-1000 mm
– Saves time when transferring and makes for a better work environment for carers.



Extremely comfortable – The slats have a soft and a hard side which can be used as needed. The bed's easy-to-clean design features removable slats.



Added safety – End guards and side rails can be fitted to provide extra safety for users. The see-through bed guard can be folded underneath the shower bed when not needed and for transfers.

MATERIALS
PUR SLATS
VACUUM FORMED PLASTIC
ALUMINIUM
COATED STEEL
STAINLESS STEEL

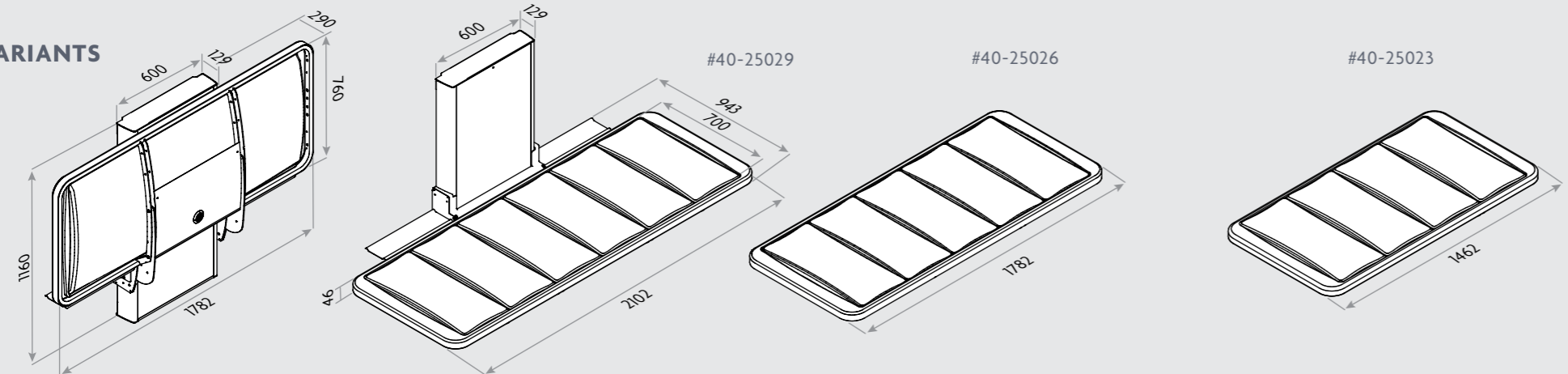
LOAD CAPACITY
MAX 150 KG WITH REF. TO DS/EN 12182

FUNCTIONAL DIMENSIONS
HEIGHT ADJUSTMENT
300-1000 MM

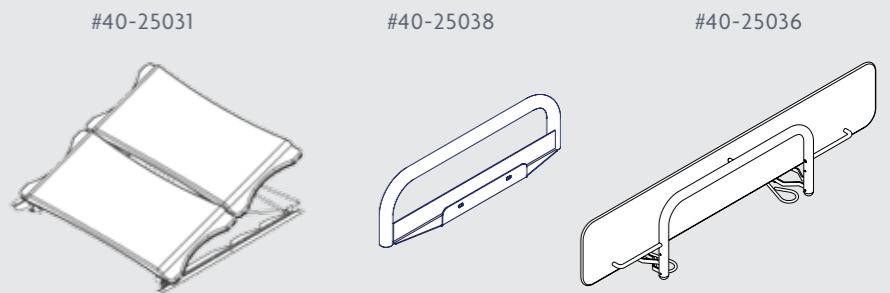
In situations where a person needs to be bathed lying down it is important that the bed can be lowered for the person to be transferred - e.g. to a wheelchair, as well as raised to a suitable working height for the carers. Optimum comfort and safety are also important.

Space-saving – The bed can be folded up for additional space.

VARIANTS



ACCESSORY



ABOUT ROPOX

Freedom and confidence to be independent

People with disabilities deserve a better life with more self-esteem, quality, and the freedom to safely look after themselves. This philosophy has been our goal since we set up our business back in 1962.

We are amongst the world's leading specialists and producers of assistive devices and furniture for the disabled as well as equipment for ergo and physiotherapy rehabilitation. Our products are recognised and appreciated around the world for their high quality, flexibility, and accessibility.

Ropox has 60 employees and is represented in four continents of the world.

For more than 50 years we have created a wide range of products for people with disabilities. Today - thanks to our long experience - we have a unique know-how about accessibility and work environments.

For more information, contact Ropox or one of our representatives at www.ropox.com



Copyrights © All Rights Reserved Ropox A/S 2015

ROPOX TABLES

BEAUTIFUL HEIGHT-ADJUSTABLE TABLES FOR INDIVIDUAL NEEDS

ROPOX KITCHENS

FLEXIBLE AND HEIGHT-ADJUSTABLE KITCHENS

ROPOX BATHROOMS

INNOVATIVE AND EXCITING PRODUCTS IN A BEAUTIFUL COHESION

ROPOX NURSING TABLES

SAFE AND FLEXIBLE SOLUTIONS IN AN ERGONOMIC DESIGN

ROPOX A/S · RINGSTEDGADE 221 · 4700 NÆSTVED, DENMARK
TLF.: +45 5575 0500 · INFO@ROPOX.DK · WWW.ROPOX.COM

ROPOX
BETTER WAYS TO BETTER DAYS