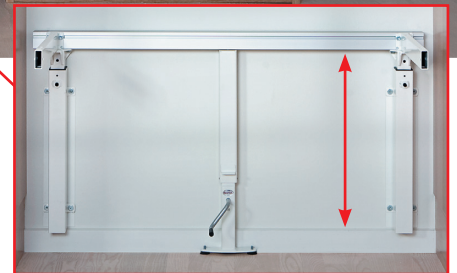




FlexiBasic

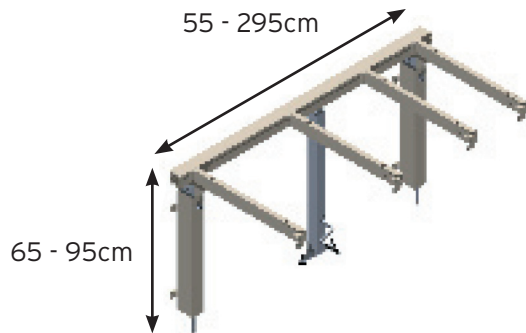
**HEIGHT ADJUSTABLE FRAME FOR WORKTOP
FOR RESIDENTIAL HOUSING OR INDEPENDENT LIVING PROJECTS, ETC.
PERFECT FOR LARGER PROJECTS**

- FlexiBasic is the worktop system for kitchens where height adjustment is only required occasionally.
- It allows fast adjustment of worktops up to 3 metres long, including inset sink or hobs.
- It is not possible for the user to make the adjustment, but one caretaker or handyman with a ROPOX Jack-up can effortlessly adjust the height over a 30cm range.
- Only one Jack-up is required for all FlexiBasic and VertiBasic (wall unit) frames, so the system is particularly suited to projects with several kitchens that may need adjustment.
- The system can be upgraded to the FlexiManual (winding handle) or the FlexiElectric if required in the future.
- **FlexiBasic is a really economical solution for kitchens for residential homes or independent living projects.**

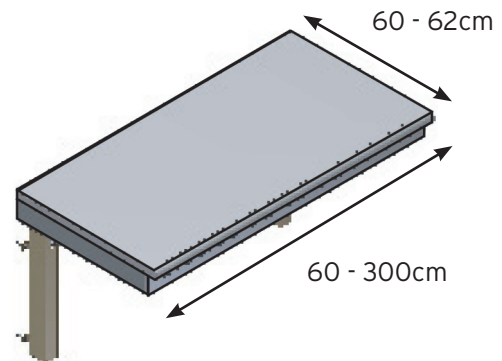


FlexiBasic

Frame for worktop with a Jack-up

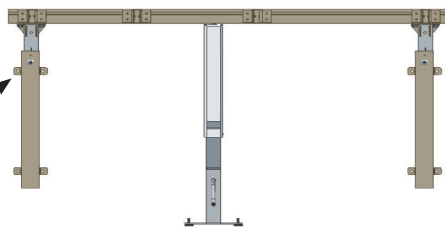


Frame including worktop and fascia



Models/ Item	30-63060/ 30-63100	30-63105/ 30-63150	30-63155/ 30-63200	30-63205/ 30-63250	30-63255/ 30-63300
Length of worktop	60 - 100cm	105 - 150cm	155 - 200cm	205 - 250cm	255 - 300cm

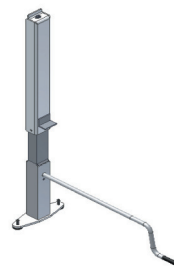
Locking
Nuts



Elevation of frame with Jack-up

ACCESSORIES

Jack-up
30-63402



Cover
30-67735



ROPOX TIPS

- An upstand fitted to the back of the worktop will prevent items falling behind the worktop.
- Allow a space of 3-5mms around the worktop.
- Use fascia panels of 5-8cm at the front and sides of the frame.
- The legs are designed to be fitted into a strong substrate but feet are available for weaker walls.
- It is not necessary to remount the worktop before adjusting the height. Simply locate the Jack-up below the centre of the frame and the floor, release the two locking nuts, wind to the height required and tighten the locking nuts.
- Only one Jack-up is needed for one project.
- Maximum load on the frame is 150kg evenly distributed over the entire frame.

ROPOX
BETTER WAYS TO BETTER DAYS

ROPOX A/S
Ringstedgade 221
DK-4700 Næstved
Tel. +45 5575 0500
Fax. +45 5575 0550
info@ropox.dk
www.ropox.com