



VertiBasic

HEIGHT ADJUSTABLE FRAME FOR WALL UNITS

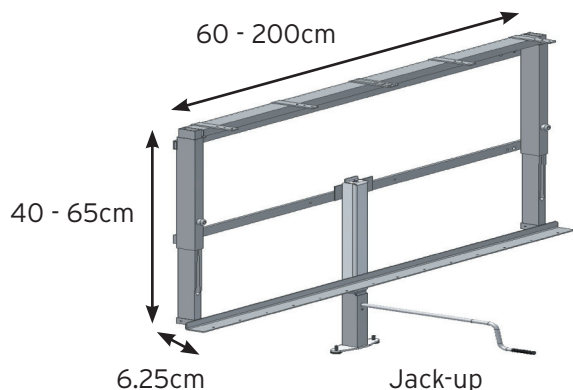
IDEAL FOR RESIDENTIAL HOMES OR INDEPENDENT LIVING PROJECTS, ETC.

PERFECT FOR LARGER PROJECTS

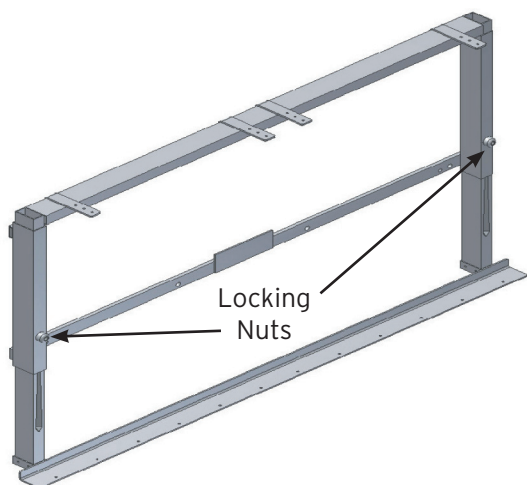
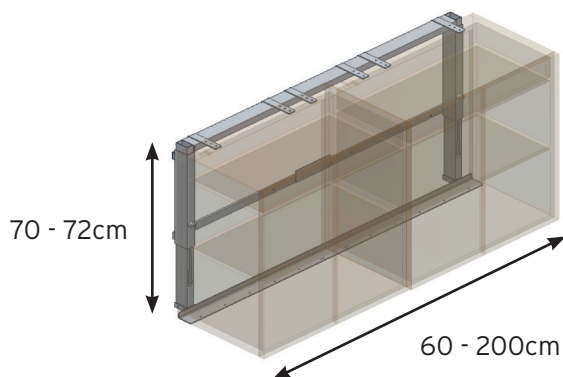
- VertiBasic is the wall unit system for kitchens where height adjustment is only required occasionally.
- It allows fast adjustment of wall units from 60 - 200cm in total.
- The frame is hidden behind the wall units at all heights.
- It is not possible for the user to make the adjustment, but one caretaker or handyman can effortlessly adjust a section of units to the height required over a 25cm range with a ROPOX Jack-up.
- Only one Jack-up is required for all VertiBasic frames and FlexiBasic (worktop), so the system is particularly suited to projects with several kitchens that may need adjustment.
- **VertiBasic is a really economical solution for kitchens for residential homes or independent living projects.**

VertiBasic

Frame for wall units
Item 30-60060 - 30-60200

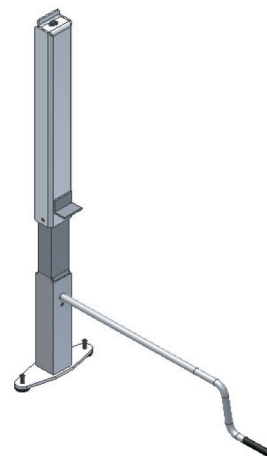


Frame with wall units



ACCESSORY

Jack-up
30-63402



ROPOX TIPS

- The wall units should have a solid top and base.
- Allow a space of 3-5mm either side of the units for free movement.
- To line up adjacent fixed wall units, space them off the wall by 6.5cm.
- It is not necessary to dismantle the wall units before adjusting the height. Simply locate the Jack-up below the centre of the frame (behind the wall units), release the two locking nuts, wind to the height required and tighten the locking nuts.
- Only one Jack-up is needed for one project.
- 8mm bolts/screws to suit the substrate should be used.
- Max. load on frame is 150kg.

ROPOX
BETTER WAYS TO BETTER DAYS

ROPOX A/S
Ringstedgade 221
DK-4700 Næstved
Tel. +45 5575 0500
Fax. +45 5575 0550
info@ropox.dk
www.ropox.com