

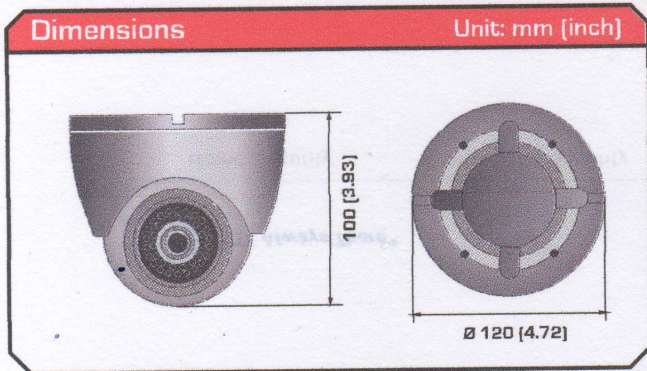
The DTV-IRI/VF/650 is the latest addition to our range of cost effective IR eyeball cameras. Coming with a 3.5-8mm vari focal lens and utilizing the latest Sony Effio chipset the camera gives an exceptional 650TVL resolution in colour and 700TVL in mono enabling the camera to offer unsurpassed image quality. The camera is fitted with 36 IR LEDs that allow the camera to be used in total darkness up to a range of 20m and has dual glass technology that completely eliminates IR LED reflection in to the lens at night. The camera is mounted in a robust aluminium housing with 3 axis gimbal allowing the camera to be moved in any direction and allowing the dome to be wall or ceiling mounted. The camera is IP65 rated and can be fitted externally and is 12V DC rated.

FEATURES:

- 650TVL
- 1/3" 960H Color Sony CCD, Effio-E DSP
- 3.5~8mm Vari-focal IR lens: easy to focus, easy to zoom
- Constant current circuit design to make sure the life span of the IR LEDs
- Available IR distance: 20~25M
- 0 Lux with IR LED
- Armoured Aluminium external housing
- IP65 Weather proof housing
- 3-Axis rotation for wall and ceiling mounting
- 80cm cable with BNC & DC jack connectors
- Dual glass technology
- Power input: 12v DC 340mA
- Size: Ø 120 x 100mm
- Colour: Graphite Grey or White

DTV-IRI/VF/650

ELECTRICAL	
Power Supply	DC12V ±10%, 300mA (MAX)
VIDEO	
Type	Colour/Monochrome
Signal System	PAL
Pick Up Device	1/3" 960H Color Sony CCD
Picture Elements	1020(H)×596(V)
Resolution	650TVL
Vertical Frequency	50Hz
Horizontal Frequency	15.625KHz
Video Out-put	1V p-p, 75Ω
Clock Frequency	28.375MHz
Scanning System	2:1 Interlace
S/N Ratio	52dB
Electronic Shutter	1/50-1/100,000s
LENS	
Lens	3.5-8mm Varifocal IR lens
INFRA RED	
Min Illumination	0 Lux
IR Effective Distance	20~25M (65.6~82ft) (Outdoor)
IR Effective Angle	90°
LED	36 Pieces
OPERATIONAL	
White Balance	AUTO Tracking
Back Light Compensation	ON
Auto Gain Control	ON
GAMMA	0.45
MECHANICAL	
Ingress Rating	IP65
Dimension	Ø120×100mm (4.72"×3.93")
Weight	740g
Storage Temperature	-30c ~ +60c
Operating Temperature	-30c ~ +40c



BUSINESS RANGE

MP40-600-FG

ALL IN ONE ARMoured P400 CAMERA, NIGHT VISION 600TVL, 3.6MM FIXED LENS

Armoured Housing Day & Night Sun Shield



Electronic Shutter Auto White Balance Auto Gain Control



MP40-600-FG SPECIFICATIONS

CCD	1/3" SONY
DSP	CMOS
TVL	600TVL
Lens	3.6mm M12 lens / 2.8mm lens optional
IR Range	20~25m (IR leds: 24xΦ5)
Minimum Illumination	0Lux (IR on)
Sync System	Internal
Signal to Noise Ratio	More than 48dB
Gamma Correction	0.45
Video Output	1.0Vp-p Composite Video Output, 75 Ohm
Effective Pixels	NTSC: 510x492, PAL: 500x582
Auto Electric Shutter	Auto (NTSC: 1/60 ~ 1/100,000sec, PAL: 1/50 ~ 1/100,000sec)
Digital Day & Night	Auto
White Balance	Auto
Automatic Gain Control	Auto
IP Rating	IP66
Power Supply	DC12V± 10%
Current Consumption	100mA, 250mA (IR ON)
Operating Temperature	-20°C ~ 50°C

GENERAL FEATURES

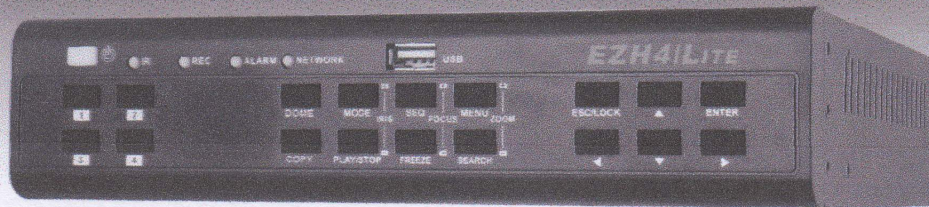
- 1/3" SONY
- CMOS DSP
- Resolution: 600TVL
- Min illumination 0Lux (IR on)
- IR distance: 20-25M
- 3.6mm Fixed
- Sun Shield
- Day and night operation
- Auto white balance

DIMENSIONS

160X58X56MM

COLOUR

WHITE



The EZH4/LITE DVR is low in price but big on features and offers the user easy to use functions. With hard drive sizes up to 2TB & the EZ record function users can easily set the amount of days they want the DVR to record for and it will set itself up accordingly. Added to this is the easy backup function which takes only 3 button presses to enable the data to be copied a USB memory stick. The playback software is also copied on the media for easy access. The unit is in an attractive compact white casing with fan less operation, well suited for commercial and domestic installations.

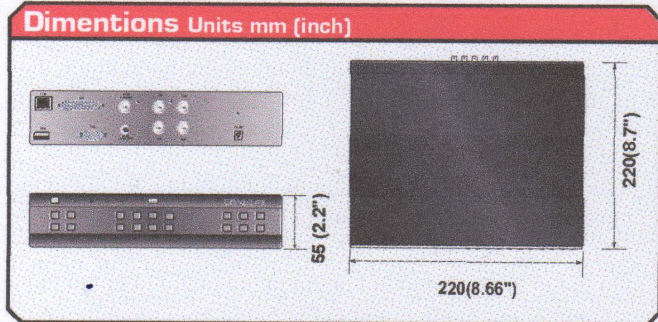
FEATURES:

- 4 Channel Quadplex Recording
- Built in USB for back up with ezBurn technology allowing playback software to be burned onto backup
- Powerful H264 recording
- ezRecord allowing you to easily specify the amount of days to record
- Smart cell motion detection with selectable areas
- Multiple built in dome protocols for PTZ control
- Up to extra large 2TB SATA HDD available
- Powerful network functions, remote viewing via TCP/IP
- Fan less design for ultra quiet operation
- Remote viewing via mobile phone
- 4 Channel Audio Recording
- Multi screen display
- Pre alarm recording
- Covert Facility
- 5 Record settings
- Auto Sequencing
- Upto 32x search speed
- Digital Zoom 2x2
- Alarms In/Out
- OSD & Time and Date
- Infra Red remote control
- VGA Output
- Mouse Control (Optional)

WORKS WITH SMART PHONES



Dimensions Units mm (inch)



EZH4/LITE		
VIDEO		
Input		BNC x 4, 1.0Vpp 75 ohm
Outputs	Call Monitor	N/A
	Main Monitor	BNC x 1, 1.0Vpp, 75 ohm
	VGA Output	1280 x 1024 pixels@60Hz
Picture Refresh Rate		400 PPS
AUDIO		
Input		DSUB-25, Line-in x4
Output	Call Audio	N / A
	Main Out	RCA x 1, Line-out
Compression Method		Proprietary
Data Rate		8KB/s, per CH
RECORDING		
Compression Method		H.264
Recording Mode		Schedule, Alarm, Motion Detection
Pre-alarm		Yes
Recording Resolution & Rate		720 x 576 Max 25 fps 720 x 288 Max 50 fps 360 x 288 Max 100 fps
Recording Quality		8 levels presets
Image Size		1K to 22K Byte/picture
Storage Mode		Linear / Circular
Data Life Time		Yes (Programmable)
STORAGE		
Built-in Storage Interface		x 1 SATA
Export		x2 USB 2.0 Ports, Supports ThumbDrive, DVD+RW, Keyboard, or Mouse
ALARM		
Alarm Input		DSUB-25 , 4 x TTL-In
Alarm Relay Output		DSUB-25 , 1 x N.C.-COM-N.O., 1.0A / 30 VDC or 1.0A / 120 VAC
Alarm Detection		N.C./N.O., Programmable
Motion Detection		15 x 15 Grid Array, Sensitivity, Trigger Level Adjustable
Video Loss Detection		Programmable
COMMUNICATION		
Network Connectivity		Ethernet RJ-45 connector, 10/ 100Mbps
Remote Monitoring		CMS, DVR Remote
Remote Operation		Monitor, Playback, Recording, System Setup, Camera Control, Archive
RS-485		D-Sub
IR Remote		Yes
Dome Camera Protocol		DSCP, Pelco P, Pelco D, AD422, Fastrax 2, Panasonic, JVC
GENERAL		
Unit Dimension (W x H x D)		220 x 55 x 220 mm [8.7 x 2.2 x 8.7 inches]
Operation Temperature		0°C ~ 40°C (32°F ~ 104°F)
Relative Humidity		10% ~ 90% Non-condensing
Power Consumption & Input		AC 100 ~ 240V, 50-60Hz, 24W Adaptor



SMALL LED/LCD

15LED

15" (4:3) LED Monitor

15LED

Panel Type	15" (4:3) LED Monitor
Case Type	Plastic
Maximum Resolution	1024 (H) x 768 (V)
Active Display Area	304.128 (H) x 228.006 (V) mm
Pixel Pitch	0.297 (H) x 0.297 (V) mm
Bezel Thickness	18mm
Contrast Ratio	700:1
Brightness	350 cd/ m ²
Response Time	8ms
Viewing Angle	U/D: 65° / 60°, L/ R: 70° / 70°
Display Colours	16.7M
Video Synchronization	TTL Positive or Negative
PC Compatible Frequency	30-60KHz(H) / 56-75Hz(V)
Adjustable Colour Temperature	9300K / 6500K / 5800K / User
Video Compatibility	Multi-Standard for NTSC / PAL
Aspect Ratio	4 : 3
VGA Auto Frequency correction	Yes
Number of Speakers	Right x 1 Left x 1. 2.5W
Sound Demodulation	Stereo. Audio
Mute	Yes
Work Humidity	20 % - 70 %
Work Temperature	-10 to 50 °C
Volume +/- Power On/Off	Yes



POWER

Power Supply	12VDC, 3amp
Voltage	AC100 - 240V 50 / 60Hz
Power Consumption	< 30W in 'ON' mode

IN/OUT INTERFACE

Video Interface	HDMI x1, VGA x 1 BNC x 2 In / BNC x 1 Out
Audio Interface	Audio In x1
Termination	75 Ohms (Automatic Termination)
Safety & EMC Certification	Energy Star / CE / FCC / ROHS
Vesa Standard Mount	100 x 100mm
Stand Type	Desktop
Colour	Black
Packing Dimension	410 (W) x 410 (H) x 142 (D) mm
NET Weight	2.9 Kg
GROSS Weight	3.85 Kg

OSD CONTROLS

Contrast, Brightness, Clock, Phase, H-Position, V-Position, Language

OSD LANGUAGE

English, French, German, Spanish, Italian, Russian, Polish and Portuguese

ACCESSORIES

Power Supply / Kettle Lead / VGA Cable / Audio Cable / User Manual

Bronze Residential Package



From £ 695.00

2 x 600TVL High Resolution Cameras

4 Channel 500GB Digital Recorder

IR LED 12pcs

Day/Night Selection

IR's Range 7 – 10mm

3.6mm Fixed Lens

Upgradeable to 3 or 4 Cameras £ 149 per camera

Silver Residential Package



From £ 895.00

2 x 650TVL High Resolution Cameras

4 Channel 500GB Digital Recorder

IR LED 36pcs

Day/Night Selection

IR's Range 7 – 10mm

2.8mm – 12mm auto iris Varifocal Lens

Upgradeable to 3 or 4 Cameras £ 249 per camera

Gold Residential Package



From £ 1,245.00

2 x Vandal 650/700TVL High Resolution Camera

4 Channel 1TB CD/DVD Digital Recorder

IR LED 48pcs

Day/Night Selection

IR's Range 40m

2.8mm – 12mm auto iris Varifocal Lens

Upgradeable to 3 or 4 Cameras £ 399 per camera