

SOREDEX

CRANEX[®]

Excel
Excel D
Excel Ceph



PANORAMIC AND
CEPHALOMETRIC
X-RAY UNIT

The CRANEX®



SOREDEX is one of the world's leading manufacturers of dental imaging equipment. Products include: the legendary CRANEX® line of panoramic and Cephalometric units; the CRANEX® Tome and Tome/Ceph and DIGORA®, digital intra and extraoral imaging systems.

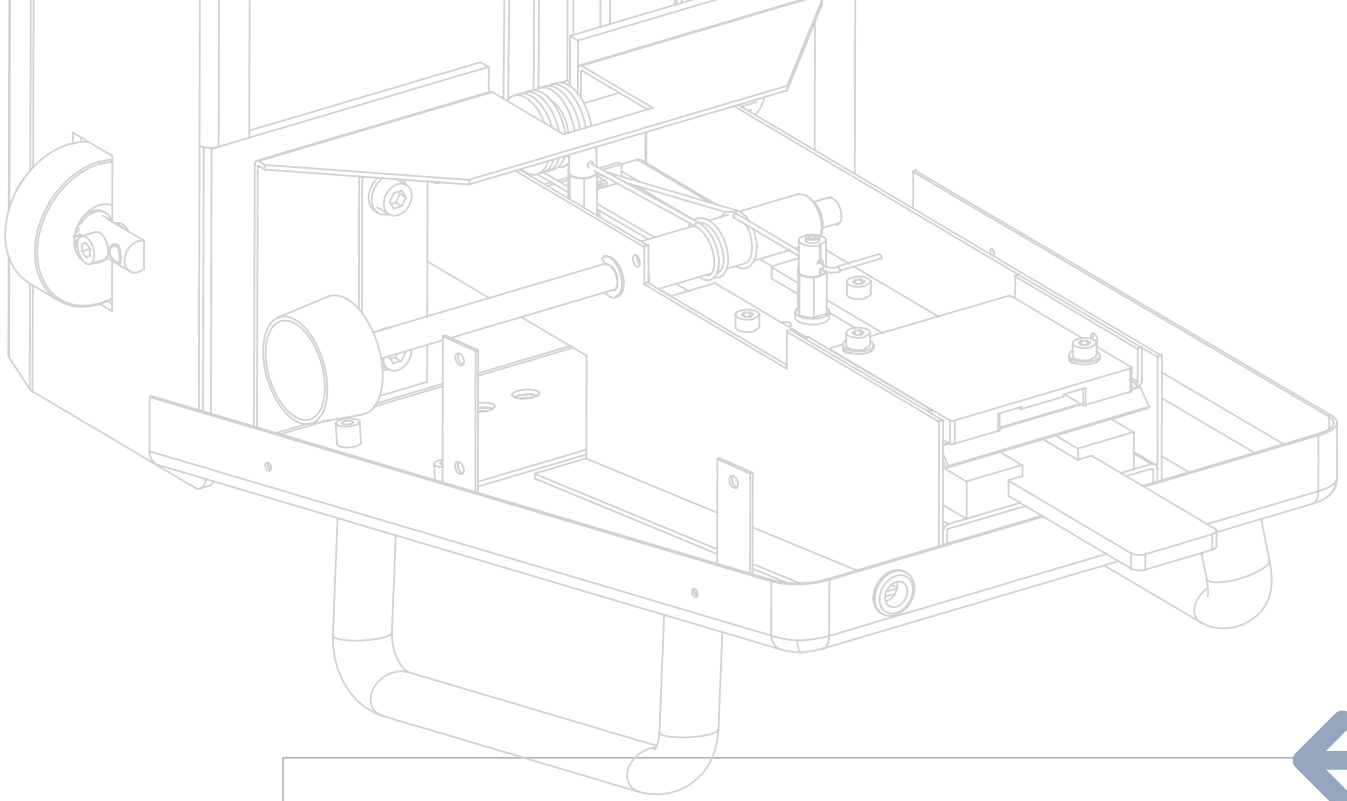
Dental Panoramic X-Ray units

Unbeatable experience



Thirty years of experience has taught us to develop the most reliable panoramic x-ray units on the market. The CRANEX® name is synonymous with products that combine superb image quality, operating convenience and patient comfort.

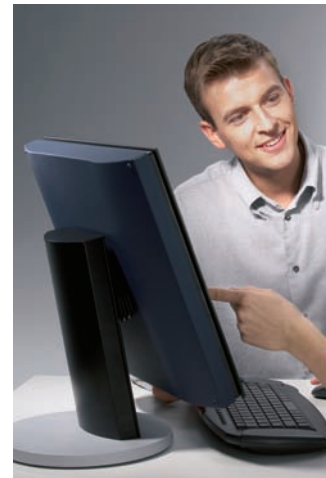
Panoramic Excellence



State-of-the-art design

We know how to handle digital images - one reason why SOREDEX's products are so easy to use. During the design phase, we recognize that the user may not be a computer expert or software engineer. We also believe that producing the image should be easier with CCD than with conventional film. NOT vice versa. In fact, using the direct digital CRANEX® model is much easier than its analog counterpart. There are no moving cassettes or handling of chemicals, for example.

The CCD technology is hyper modern, environmentally friendly and a clean way of performing x-ray examinations. You get the images on a computer screen without handling any moving image receptors. Once the image is in the computer memory, the diagnostically important information can be enhanced and refined, thanks to the Digora for Windows image handling software. The CRANEX® digital unit with DIGORA® for Windows™ software gives the user a highly sophisticated means to enter the modern digital world.



CRANEX[®] Excel D

Directly digital



CRANEX® Excel

key features





Superb image quality –
diagnostic value



Quick and easy to use –
minimum training required



Operation comfort –
Patient positioning without moving
the patient



Patient safety and comfort –
convenient for all patients



Attractive timeless design –
smooth and easy-to-clean
surfaces

Image quality and operation comfort – in the

Accurate patient positioning

With the SOREDEX patented patient positioning system the image layer can be adjusted without moving the patient. The 4-Point head support system, hinged mirror and the precise and clear positioning lights facilitate accurate and proper positioning of the patient. Thanks to the hinged mirror, the operator clearly sees the positioning light marks.



kV AutoSet

The AutoSet, automatic kV pre-selection feature, selects the most suitable technique factors for the panoramic exposure based on the skull width. The width is automatically measured when the temple supports are closed. The user just positions the patient as usual, and presses the exposure button. No guesswork with the AutoSet.

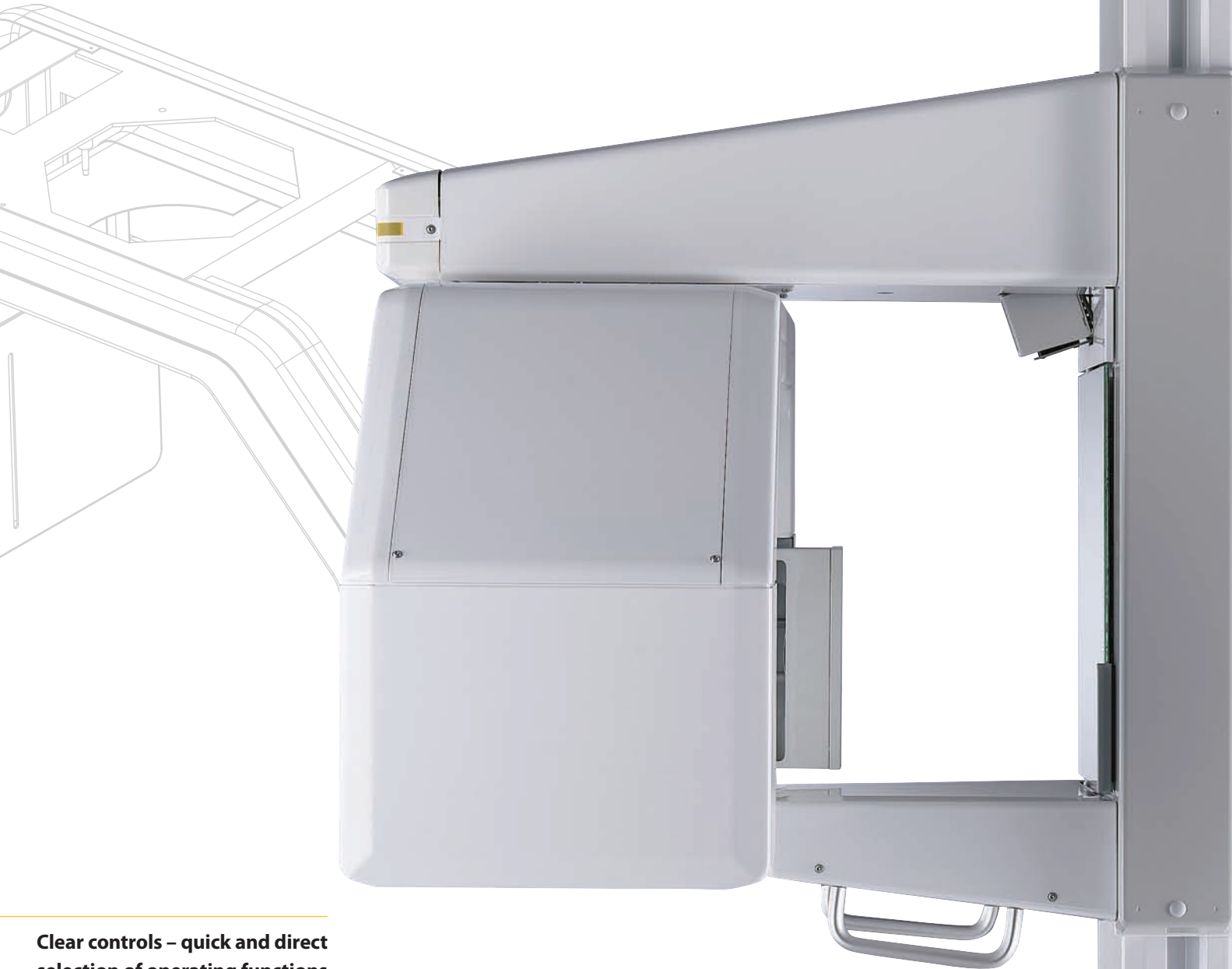


Outstanding image quality

Innovative High-frequency DC generator optimizes radiation output resulting in low patient dose. Small focus and narrow beam technique results in Excellent visualization of anatomic structures. Precise imaging geometry and optimum beam direction yields a continuous image that accurately depicts the shape of the dental arch.



spirit of tradition



Clear controls – quick and direct selection of operating functions

Ergonomically located CRANEX® Excel Membrane control panel with self-explanatory symbols for all controls improves operating accuracy. Training of new personnel can be accomplished in a minimum amount of time. The Soft touch control buttons are easy to use and keep clean.

- true diagnostic value -

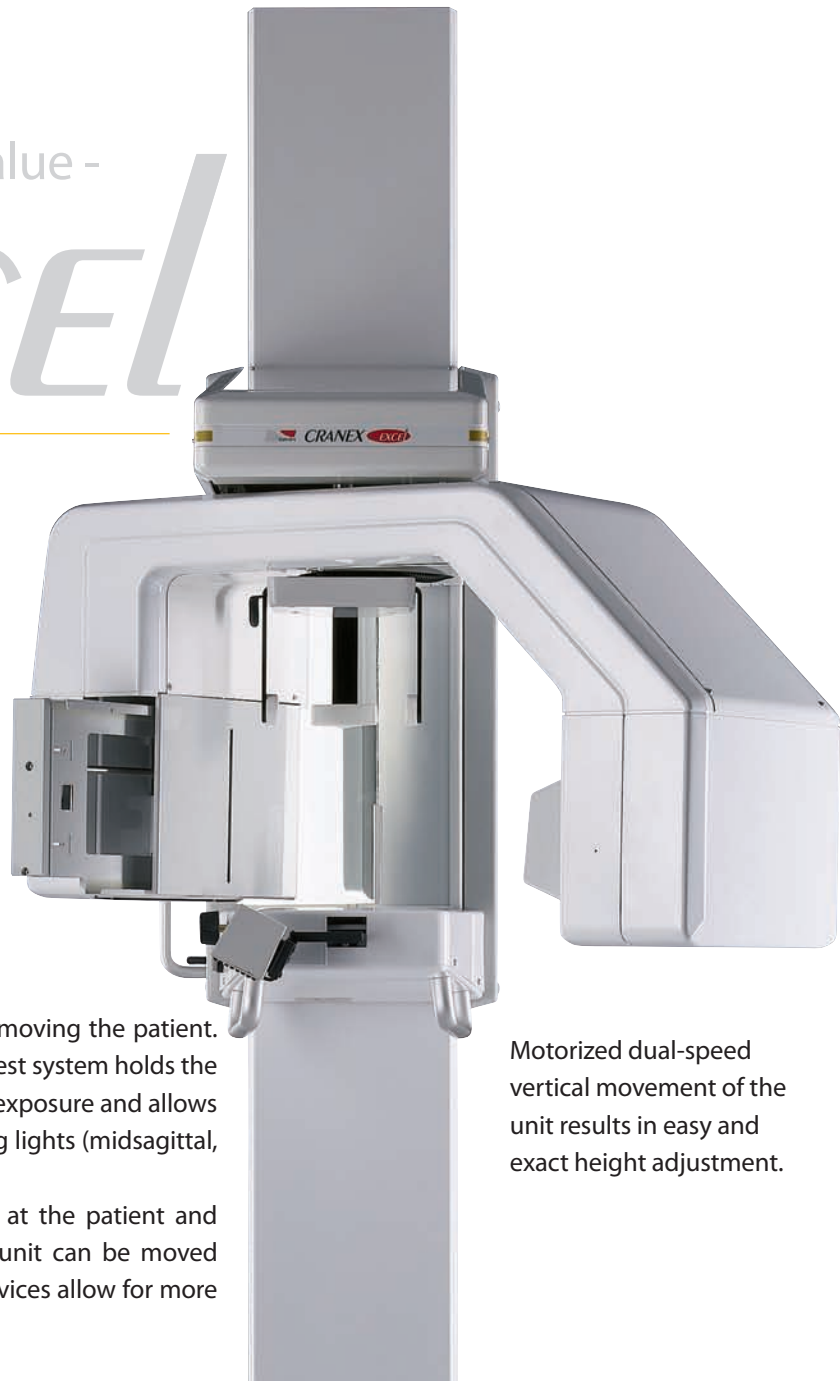
CRANEX[®] EXCEL



Ergonomical operation

Easy and accurate patient positioning – without moving the patient. Rigid 4-point head support and bite block / chin rest system holds the patient's head firmly and comfortably during the exposure and allows Excellent exposure repeatability. Three positioning lights (midsagittal, Frankfort, focal through).

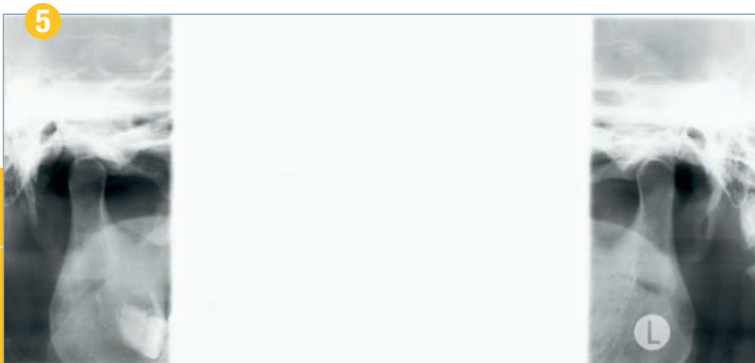
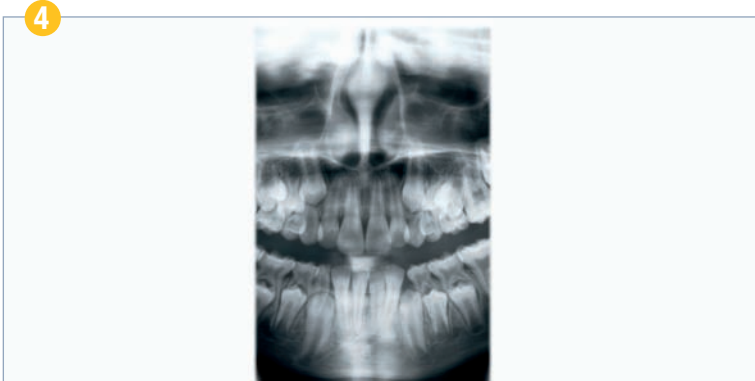
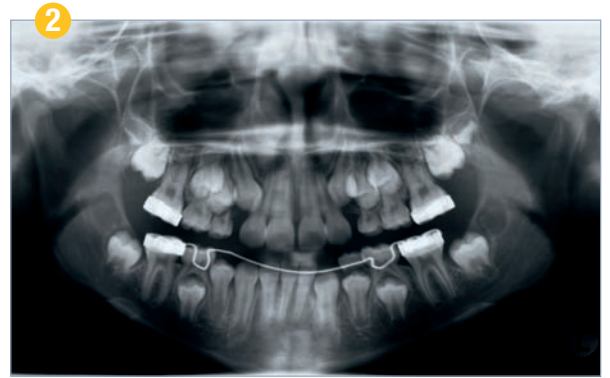
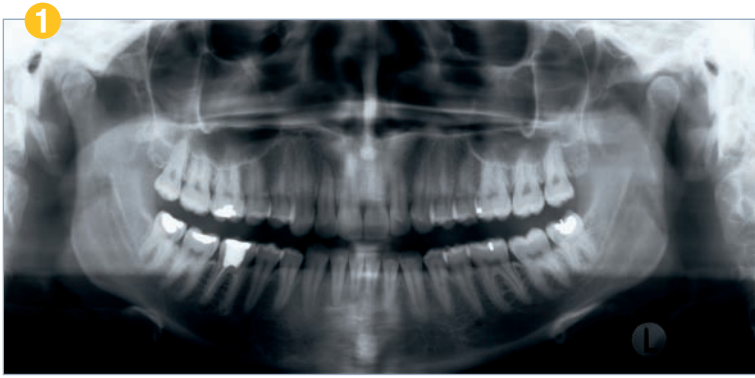
Large hinged mirror allows you to look directly at the patient and also see all the positioning lights. The rotating unit can be moved aside during positioning. Chin and lip support devices allow for more accurate and repeatable patient positioning.



Motorized dual-speed vertical movement of the unit results in easy and exact height adjustment.



Three positioning lights for accurate patient positioning. Uniform density and automatic compensation mode are features of the unit.



The CRANEX® Excel has various imaging modes selectable according to diagnostical requirements, resulting in minimized patient dose.

Wide range of most commonly used imaging modes:

- 1 adult panoramic
- 2 child panoramic
- 3 right and left side of dentition
- 4 middle of dentition and SINUS imaging
- 5 open and closed bilateral TM-joint program on a single film

The CRANEX® Excel is the perfect choice for the dental clinic for survey and follow-up examinations.



CRANEX® Excel Ceph
A practical combination of CRANEX®
Excel and permanently integrated
Cephalometric x-ray unit.



EXCEL[®] Ceph



Extremely easy to use

There is no doubt that the CRANEX[®] Excel Ceph is extremely easy to use. Permanently attached Cephalometric tube requires no extra assembly for teleradiography. Smooth functions of head support elements are gentle to the patient – especially important with pediatric patients.

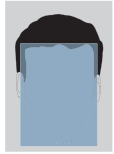
Examples of the Excel Ceph inch sizes also available
Cephalometric imaging modes



18 x 24 cm / 8 x 10"
Asymmetric Vertical



18 x 24 cm / 8 x 10"
Horizontal



18 x 24 cm / 8 x 10"
Symmetric Vertical

or optionally



24 x 30 cm
Asymmetric Vertical



24 x 30 cm
Symmetric Vertical



24 x 30 cm
Asymmetric Horizontal

New Ceph design



The head holder can be turned and locked in 45° steps for oblique projections.

SOREDEX

DIGITAL WORLD

CCD sensor for model:
CRANEX® Excel D



DIGORA PCT
Imaging Plate for:
CRANEX® Excel Ceph, CRANEX® Excel



Options

CRANEX® Excel panoramic unit is available also with large format cassette holder (24 x 30 cm / 10 x 12") for medical grade imaging plate systems.

The existing CRANEX® 3+ units can be upgraded to digital with the CCD sensor or with large format cassette holder.



DIGORA PCT

The ultimate full-daylight imaging plate system for panoramic, Cephalometric and tomographic imaging.

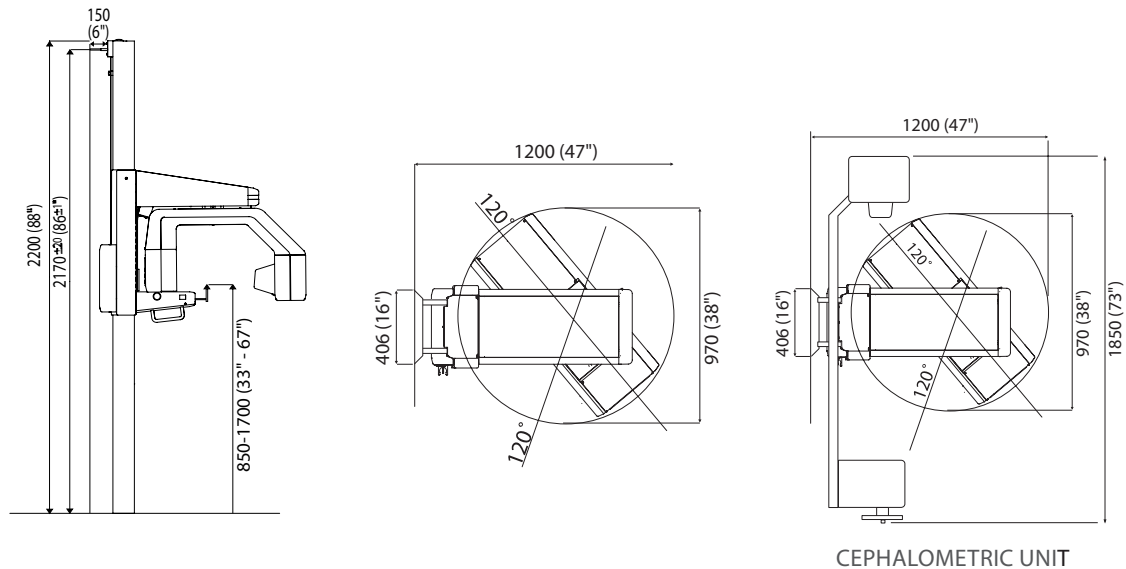


Available imaging plate cassette sizes:

- 15 x 30 cm
- 18 x 24 cm
- 24 x 30 cm
- 8 x 10"
- 10 x 12"

Technical data

MAIN DIMENSIONS



GENERAL

GENERATOR	High frequency DC generator, operating frequency 40 kHz	
X-RAY TUBE	OPX 105 or equal	
FOCAL SPOT SIZE	0.5 mm, IEC 336	0.4 mm Excel D
MINIMUM TOTAL FILTRATION	2.5 mm Al	
ANODE VOLTAGE	63 - 81 kV	65 kV, 6 mA Excel D
ANODE CURRENT	6 mA and 10 mA (4.5 mA and 7.5 mA in compensation mode)	
EXPOSURE TIME	19/16 s (50/60 Hz) panoramic 0.4 - 3.2 s cephalometric	
SID	520 mm panoramic 1635 - 1700 mm cephalometric	
LINE VOLTAGE	230/240 Vac ±10% (50/60 HZ)	
FUSING	8 A slow	
WEIGHT	150 kg (331 lbs) panoramic 195 kg (430 lbs) cephalometric	
COLOUR	RAL 7035 and 9003	
ELECTRICAL SAFETY CLASSIFICATION	IEC 601-1 class 1/B (UL listed)	
CASSETTE SIZES	15 x 30 cm (optionally 24 x 30 cm/10 x 12") panoramic 18 x 24 cm (8 x 10") cephalometric Optionally 24 x 30 cm (10 x 12") cephalometric	

CRANEX®

Product family

SOREDEX designs, develops, manufactures and markets dental imaging systems, with an emphasis on innovative digital solutions. Operating worldwide, SOREDEX offers quality imaging systems of true diagnostic value, based on an in-depth understanding of the dental practice. Applying three decades of experience of imaging excellence, we offer reliable and easy-to-use solutions that help you focus on patient care.

SOREDEX digital imaging systems are innovative and accurate diagnostic tools that integrate seamlessly and easily into a dental practice, enhancing the imaging process and improving workflow. Our systems are designed to be simple and easy to use. They will make your dental practice more efficient and ultimately give you more time for your patients.

SOREDEX stands for innovation and value in dental X-ray technology.

MINRAY®, CRANEX® and DIGORA® are registered trademarks of SOREDEX, PaloDex Group Oy. Other product names and trademarks are the property of their respective owners. CE marked, NB (CE) number 0537. Electric safety according to IEC 60601-1. Manufacturing complies with ISO 13485:2003, ISO 9001:2000 and ISO 14001:2004.

SOREDEX reserves the right to make changes in specification and features shown herein at any time without notice or obligation. Contact your SOREDEX representative for the most current information.

© 2006 SOREDEX

Head office and factory:

SOREDEX

Nahkelantie 160, Tuusula
P.O. Box 148, FI-04301 Tuusula
Finland
Tel. +358 45 7882 2000
Fax +358 9 701 5261
info@soredex.com

SOREDEX USA

300 W. Edgerton Ave.
Milwaukee, WI 53207 U.S.A.
Tel. +1 800 235 8854
Fax +1 414 481 8665
info@soredexusa.com

SOREDEX Germany

Siemensstrasse 12
D-77694 Kehl
Germany
Tel. +49 7851 93 29 0
Fax +49 7851 93 29 30
kontakt@soredex.de

72032-1 01/07

