

0800 389 9072

Email: sales@ablecanopies.co.uk

www.ablecanopies.co.uk



Australia Awning Technical Specification

Size

Maximum projection: 3.6 metres

Maximum Width: 7 metres

Framework

Strengthened non-cassette style awning

Arms: Folding arms constructed from aluminium.

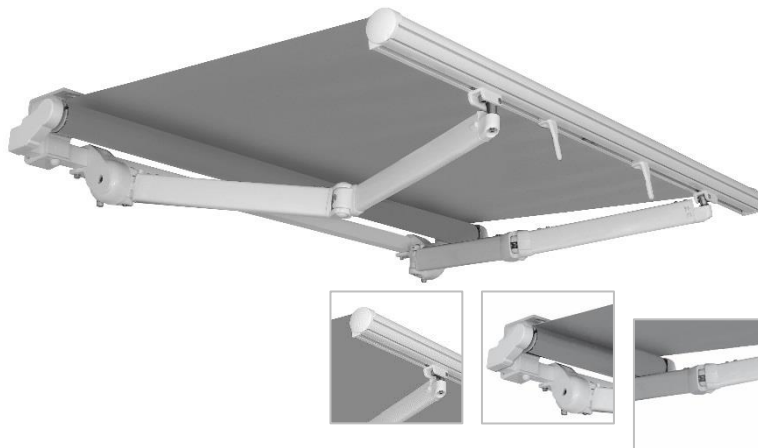
Arms have springs with plate Flyer's chains

Tilt angle: 5° - 60°

Fabric

Available striped and plain; there are 26 standard fabrics to choose from and 196 non-standard fabrics.

The fabric is held in a roller tube with a diameter of 70mm & 78mm.



Optional Automatic Drive

Choice of electronic operation with a remote control or manual operation with a hand crank

Frame Colours

The frame is available powder coated in Pure White (RAL 9010), White Aluminium (RAL 9006) and Anthracite Grey (7016).

Guarantee

2-year guarantee against manufacturing defect and a with a 10-year life expectancy

Australia Awning spec sheet V1.2 LU190219

Head Office | 9 - 11 Faraday Close, Gorse Lane Industrial Estate, Clacton-on-Sea, Essex CO15 4TR | Fax: 01255 425541



0800 389 9072

Email: sales@ablecanopies.co.uk

www.ablecanopies.co.uk



Australia Awning Technical Specification

Standard Fabric Colours

Dickson Colours



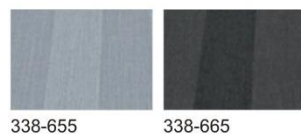
Comosition: Acrylic 100%, solution dyed
Finishing: Cleangard special dirt resistant and awning water repellent treatment
Weight: 290g/m2
Width: 120cm
Tensile Strength: 140 daN Wrap / 90 daN Weft
Tear Strength: 4 daN Wrap / 2.3 daN Weft
Water Repellency: >370mm
Colour fastness weather condition: 4-5 / 5

Sandatex Colours



Comosition: 100% acrylic fibre solution dyed "outdoor"
Finishing: water/oil repellent, resistant to mould, stains, salt and UV fading
Weight: 300g/m2
Width: 120cm
Tensile Strength: 160 daN Wrap / 86 daN Weft
Tear Strength: 3.1 daN Wrap / 1.4 daN Weft
Water Repellency: >300mm
Colour fastness weather condition: 7-8

Sattler Colours



Comosition: 100% acrylic
Finishing: TEXgard finish, water and soil repellent
Weight: 290g/m2
Width: 120cm
Tensile Strength: 160 daN Wrap / 120 daN Weft
Tear Strength: 4.1 daN Wrap / 4.1 daN Weft
Water Repellency: 460mm
Colour fastness weather condition: min. 7

Australia Awning spec sheet V1.2 LU190219

Head Office | 9 - 11 Faraday Close, Gorse Lane Industrial Estate, Clacton-on-Sea, Essex CO15 4TR | Fax: 01255 425541



0800 389 9072

Email: sales@ablecanopies.co.uk

www.ablecanopies.co.uk



Giovanardi Colours



Composition: 100% acrylic
Finishing: Acrylic with high water repellency, Duraclean
Weight: 290g/m2 Width: 120cm
Tensile Strength: 140 daN Wrap / 90 daN Weft
Tear Strength: 3.5 daN Wrap / 2.5 daN Weft
Water Repellency: 350mm
Colour Fastness Weather Condition: min. 7

Non-Standard Fabric Colours

The Australia is available in a range of 196 additional colours as shown overleaf, these additional colours may incur an additional cost.

Valance Options

A choice of 3 different valance options available at no extra cost including:



Australia Awning spec sheet V1.2 LU190219

Head Office | 9 - 11 Faraday Close, Gorse Lane Industrial Estate, Clacton-on-Sea, Essex CO15 4TR | Fax: 01255 425541

