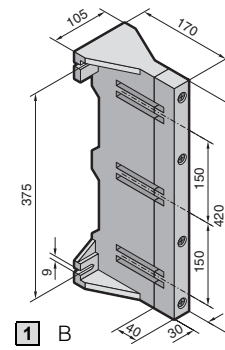
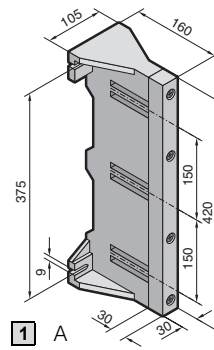
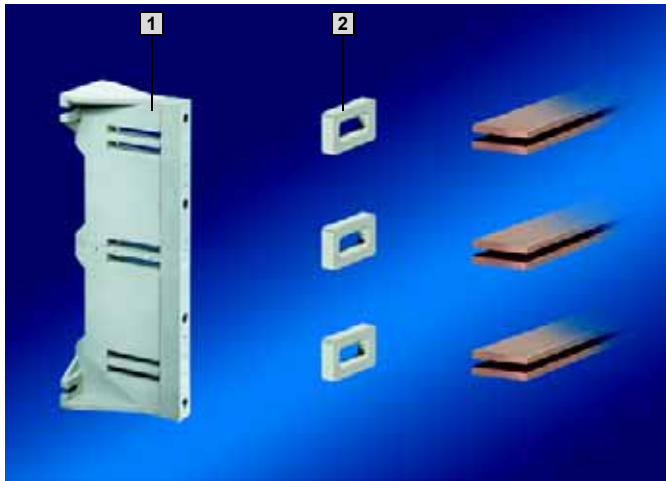


# Busbar systems up to 2500 A/3000 A (150 mm)

## Busbar supports (3-pole)



2.5 B

Busbar systems up to 2500 A/3000 A (150 mm)

**Material:**  
Fibreglass-reinforced, thermoplastic polyester (PBT). Continuous operating temperature max. 140°C. Fire protection corresponding to UL 94-V0.

**Colour:**  
RAL 7035

**Short-circuit protection diagram,**  
see page 1232.

**Technical information**  
for the calculation of rated currents,  
see page 1247.

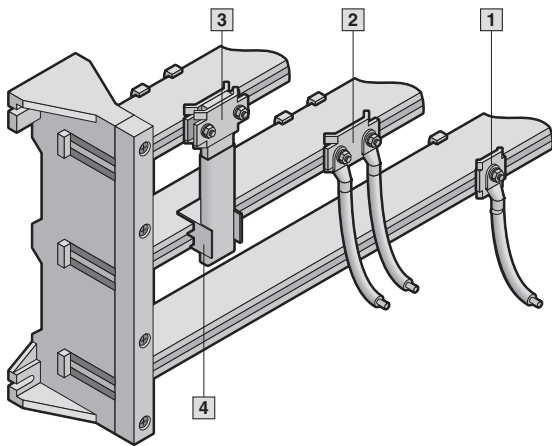
| 1 Design                                      | Packs of | A                            | B                            |
|---|----------|------------------------------|------------------------------|
| Number of poles                               |          | 3-pole                       | 3-pole                       |
| Bar centre distance                           |          | 150 mm                       | 150 mm                       |
| Max. bar accommodation without spacing pieces |          | 2 x 80 x 10 mm               | 2 x 100 x 10 mm              |
| Tightening torque                             |          |                              |                              |
| ● Assembly screw                              |          | 8 – 10 Nm                    | 8 – 10 Nm                    |
| ● Lid attachment                              |          | 5 – 10 Nm                    | 5 – 10 Nm                    |
| <b>Model No. SV</b>                           | 2        | <b>3055.000</b>              | <b>3057.000</b>              |
| <b>Accessories</b>                            |          |                              |                              |
| 2 Spacing pieces                              | 12       | <b>3056.000<sup>1)</sup></b> | <b>3056.000<sup>1)</sup></b> |

<sup>1)</sup> To reduce the bar size in 10 mm increments. Also suitable for stepped busbar assemblies.

## Busbars E-Cu

To DIN EN 13 601.  
Length: 2400 mm/bar.

| Dimensions in mm | Packs of | Model No. SV    |
|------------------|----------|-----------------|
| 60 x 10          | 3        | <b>3589.000</b> |
| 80 x 10          | 3        | <b>3590.000</b> |



### Connection plates

for SV 3055.000

Tightening torque: 10 – 15 Nm.

**Material:**

Connection plate E-Cu, nickel-plated

| Connection   | Packs of | Model No. SV           |
|--|----------|------------------------|
| 1 M10 ring terminal up to 240 mm <sup>2</sup>      | 3 sets   | 3058.000 <sup>1)</sup> |
| 2 2 x M10 ring terminals up to 240 mm <sup>2</sup> | 3 sets   | 3059.000 <sup>1)</sup> |
| 3 Laminated flat copper up to 40 x 10 mm           | 3 sets   | 3061.000 <sup>2)</sup> |

T-head screws:  
<sup>1)</sup> M10 x 100 mm  
<sup>2)</sup> M10 x 120 mm

**+ Accessories:**

Laminated copper bars, see page 411.



### Connection plates

for SV 3057.000

Tightening torque: 10 – 15 Nm.

**Material:**

Connection plate E-Cu, nickel-plated

**Note:**

One connection plate per terminal connection is omitted.

| Connection   | Packs of | Model No. SV           |
|--|----------|------------------------|
| 3 2 x M10 ring terminals up to 240 mm <sup>2</sup> | 3 sets   | 3061.000 <sup>1)</sup> |

T-head screws:  
<sup>1)</sup> M10 x 120 mm



### 4 Bar insulation

for SV 3055.000 and SV 3057.000

For supply lead routing, plug-type.

| Packs of | Model No. SV |
|----------|--------------|
| 9        | 3060.000     |