

When it comes to future-oriented solutions for modern low-voltage power distribution, you are most definitely on the right track with **Rittal busbar systems**. Rittal RiLine60, the fascinating 60 mm system of the future – assembly-friendly, time-saving, individual and modular. Key features of the new Rittal RiLine60 busbar system include: Versatile application options, individual modularity, and reliability thanks to type-testing. **Rittal Ri4Power is the new name for high-current power distributors, distribution enclosures and switchgear with form separation** under a single roof – in accordance with the worldwide standard (IEC 60 439-1).



# Power Distribution

## Busbar systems

from page **334**

Overview .....	334	OT adaptors 25 A/32 A/65 A with connection cables (3-pole) .....	367
<b>Busbar systems up to 250 A (40 mm)</b>		OM/OT supports without contact system (3-pole) .....	368
Mini-PLS busbar supports (3-pole) .....	336	Component adaptors 100 A/ circuit-breaker component adaptors 125 A, 160 A (3-pole) .....	370
Mini-PLS busbar connection adaptors (3-pole) .....	337	Circuit-breaker component adaptors 250 A/630 A (3-pole) .....	371
Mini-PLS component adaptors 12 A/25 A (3-pole) .....	338	Bus-mounting fuse bases (3-pole) .....	372
Mini-PLS quick-fit component adaptors 25 A/32 A (3-pole) .....	339	NH fused isolators size 00 (3-pole) .....	374
Mini-PLS component adaptors 40 A/100 A (3-pole) .....	340	NH on-load isolators size 000 (3-pole) .....	375
Mini-PLS bus-mounting fuse base/NH on-load isolator .....	341	NH bus-mounting on-load isolators, size 00 (3-pole) .....	376
<b>Busbar systems up to 360 A (40 mm)</b>		NH bus-mounting on-load isolators, size 1 (3-pole) .....	377
Busbar supports (3-pole) .....	342	NH bus-mounting on-load isolators, size 2 (3-pole) .....	378
System components (3-pole) .....	343	NH bus-mounting on-load isolators, size 3 (3-pole) .....	379
Busbar connection adaptors (3-pole) .....	344	<b>Rittal RiLine60 busbar systems 800 A (60 mm)</b>	
Bus-mounting fuse base/NH on-load isolator (3-pole) .....	345	Busbar supports (4-pole) .....	380
Multi-functional component adaptors 12 A/25 A (3-pole) .....	346	System components (4-pole) .....	381
Multi-functional component adaptors 25 A (3-pole) .....	347	Busbar supports PLUS (4-pole) .....	382
Multi-functional component adaptors 25 A/40 A (3-pole) .....	348	System components (4-pole) .....	383
Multi-functional component adaptors 40 A/ component adaptors 100 A .....	349	Busbar connection adaptors (4-pole) .....	384
<b>Rittal RiLine60 busbar systems 800 A (60 mm)</b>		Circuit-breaker component adaptors 160 A/250 A (4-pole) .....	386
Busbar supports (3-pole) .....	350	<b>Busbar systems up to 1250 A (100 mm)</b>	
System components (3-pole) .....	351	Busbar support (3-pole) .....	387
PLS busbar supports (3-pole) .....	352	Connection clamps/system covers .....	388
System components (3-pole) .....	353	NH fused isolators, size 00 (3-pole) .....	389
<b>Rittal RiLine60 busbar systems UL 508 (60 mm)</b>		NH on-load isolators, sizes 1, 2, 3 .....	390
Busbar supports for feeder circuits 700 A (3-pole) .....	354	<b>Busbar systems up to 1600 A (185 mm)</b>	
PLS busbar supports for feeder circuits 700 A/1400 A .....	355	Busbar support (3-pole) .....	391
<b>Rittal RiLine60 busbar systems 800/1600 A (60 mm)</b>		Connection clamps .....	392
Busbar connection adaptors (3-pole) .....	356	NH fused isolators, size 00 – 3 (3-pole) .....	393
Connection clamps/system covers .....	358	<b>Busbar systems up to 2500 A/3000 A (150 mm)</b>	
Multi-functional component adaptors 12 A/25 A (3-pole) .....	359	Busbar supports (3-pole) .....	394
Multi-functional component adaptors 25 A (3-pole) .....	360	System components .....	395
Multi-functional component adaptors 40 A (3-pole) .....	361	<b>Rittal RiLine NH (mounting plate assembly)</b>	
OM adaptors 32 A with tension spring clamp/ OM Premium adaptors 25 A (3-pole) .....	362	NH on-load isolators, size 000/size 00 .....	396
OM adaptors 65 A with tension spring clamp (3-pole) .....	363	NH on-load isolators, size 1 .....	397
OM adaptors 25 A/32 A with connection cables (3-pole) .....	364	NH on-load isolators, size 2 .....	398
OM adaptors 40 A/65 A with connection cables (3-pole) .....	365	NH on-load isolators, size 3 .....	399
OT adaptors 32 A/65 A with tension spring clamp/ OT Premium adaptors 25 A (3-pole) .....	366	<b>Accessories for busbar systems</b> .....	400
		<b>Busbars and accessories</b> .....	408
		<b>Laminated copper bars and accessories</b> .....	411

## Rittal Ri4Power Form 1

from page **412**

Overview .....	412	<b>SV-TS 8 enclosures</b>	
<b>Maxi-PLS up to 2000 A</b>		for incoming/outgoing circuit .....	438
Connection kits (3-pole) .....	414	for Rittal NH fused isolators .....	440
Connection kits for coupling sets (3-pole) .....	416	for NH fused isolators .....	442
Connection kits for rear section (3-pole) .....	418	for coupling sets .....	445
Connection kits for coupling sets – rear section .....	420	System components for NH fused isolator panels .....	444
System components .....	422	System components for coupling sets .....	446
Connection components .....	423	<b>Maxi-PLS accessories</b>	
<b>Maxi-PLS up to 3200 A</b>		Compact infeed .....	447
Connection kits (3-pole) .....	424	Mounting kit/corner connectors .....	448
Connection kits for coupling sets (3-pole) .....	428	Corner brackets .....	449
Connection kits for rear section (3-pole) .....	430	Device module .....	450
Connection kits for coupling sets – rear section .....	434	Contact hazard protection cover .....	451
System components .....	436	Accessories .....	453
Connection components .....	437		

## Rittal Ri4Power Form 1

from page **457**

Overview .....	457	ISV-TS 8 enclosures for distribution enclosures up to 1600 A .....	460
<b>ISV wall-mounted distributors</b> based on compact enclosures AE .....	458	Installation modules .....	461
<b>ISV installation distribution enclosures</b> ISV-TS 8 enclosures for distribution enclosures up to 630 A .....	459	Accessories .....	469

## Rittal Ri4Power Form 2-4

from page **471**

Overview .....	471	SV-TS 8 cable chamber enclosures (width: 300, 400) .....	474
<b>Rittal Ri4Power Form 2-4, enclosures</b>		SV-TS 8 cable chamber enclosures (width: 600) .....	475
SV-TS 8 modular enclosures (width: 400, 600) .....	472	Accessories .....	476
SV-TS 8 modular enclosures (width: 800) .....	473		

# Rittal RiLine60 busbar systems

## Overview



Time-saving assembly, versatile applications and individual modularity are the winning features of the Rittal RiLine60 busbar system. Simply insert the bars from above, secure, and it's done! This is how quickly you can mount flat copper cross-sections in one support, with no need for any inserts!

B  
2.1

Rittal RiLine60 busbar systems



### RiLine60 bar systems

**Busbar support for flat bars with integral cross-section adaptation**  
Height compensation with 5 mm bars is achieved via slides.



An integral locating block automatically adapts to widths of 15, 20, 25 or 30 mm. No other accessories required.



**Unrestricted top mounting** of the PLS busbar support with power distribution components.

### RiLine60 adaptor system



System separation of the adaptor section and support frame translates into service-friendly device configuration.



**Sliding block concept** for circuit-breaker adaptors up to 630 A. As a result, mounting of all standard power circuit-breakers is now much simpler and faster.



The **multi-functional adaptors** use modern, practical technology to set standards in terms of contact reliability, assembly rationalisation and configuration diversity of switchgear.



### RiLine60 fusible elements



**Bus-mounting fuse bases for snap-on mounting**  
The three-pole components ensure reliable-contact, shake-proof connection with the bus-bars.



**RiLine NH isolators**  
The contact swivel feet have one outstanding function: The cable outlet can be switched from bottom to top in a matter of seconds.



**NH fused isolator**  
With a build width of just 50 mm, it sets new standards in compact, space-saving configuration.

### Mini-PLS busbar systems up to 250 A (40 mm)

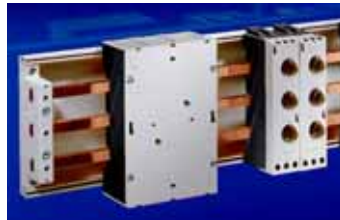


Optimum space utilisation and rapid assembly of all components via plug and lock connection from the front.

Top-mounting over the entire surface of the busbar support and busbar connector with system components.

Contact hazard protection thanks to all-round encapsulation with base tray, cover section and end cover.

### Busbar systems up to 360 A (40 mm)

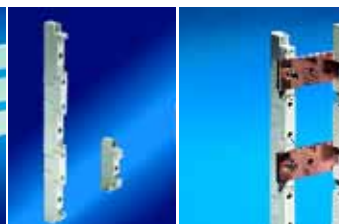


Busbar supports with integral inserts. Simple component assembly via insertion or snap-mounting.

All-round contact hazard protection analogous to the Rittal Mini-PLS system.

Time-saving assembly of standard commercially available power circuit-breakers via pre-configured connection cables.

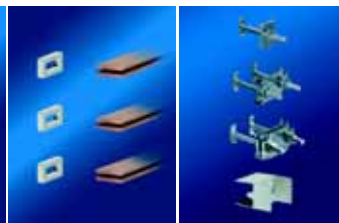
### Busbar systems up to 1250 A (100 mm), 1600 A (185 mm)



**Busbar system with 100 mm centre-to-centre spacing**  
Suitable for the assembly of NH fused isolators size 00 and NH on-load isolators sizes 1 to 3.

**Busbar system with 185 mm centre-to-centre spacing**  
The special design of the support allows seamless top-mounting in the support section with NH fused isolators sizes 00 to 3.

### Busbar systems up to 2500 A/3000 A (150 mm)

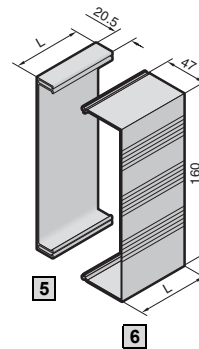
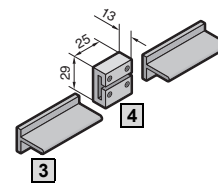
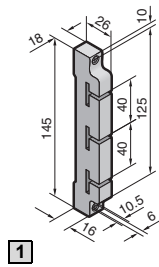
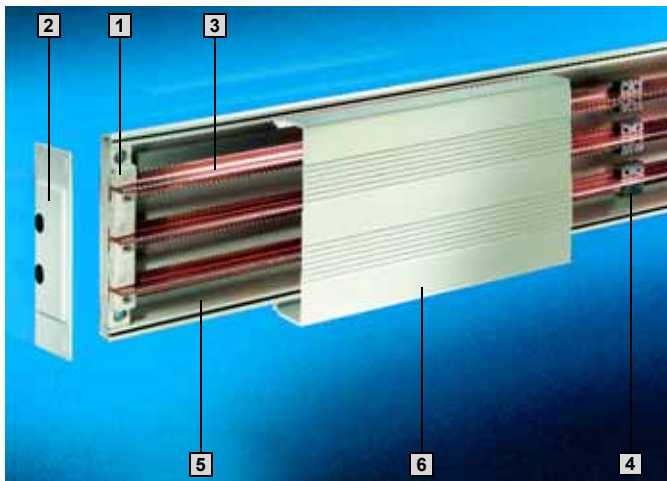


These two busbar supports with 150 mm centre-to-centre spacing are suitable for electricity transmission and distribution.

Spacing pieces allow a stepped configuration of the busbars.

# Busbar systems up to 250 A (40 mm)

## Mini-PLS busbar supports (3-pole)



**Material:**  
Polyamide (PA 6.6),  
30 % fibreglass-reinforced.  
Continuous operating  
temperature max. 140°C.  
Fire protection corresponding  
to UL 94-V0.

**Colour:**  
RAL 7035

**Short-circuit protection  
diagram,**  
see page 1228.

Design	Packs of	<b>1</b>
Number of poles		3-pole
Bar centre distance		40 mm
<b>Model No. SV</b>	4	<b>9600.000</b>
<b>Accessories</b>		
<b>2</b> End covers for contact hazard protection on the sides	2	<b>9610.000</b>

### **3** Mini-PLS special busbars

E-Cu 120 mm<sup>2</sup>, 3 mm bar thickness.

Length mm	Packs of	<b>Model No. SV</b>
500	3	<b>9601.000</b>
700	3	<b>9602.000</b>
1100	3	<b>9603.000</b>
1500	3	<b>9624.000</b>
<b>Accessories</b>		
<b>4</b> Busbar connectors for connecting the busbars; no drilling required	3	<b>9611.000<sup>1)</sup></b>

<sup>1)</sup> Maximum tightening torque 2 Nm.

### **5** Mini-PLS base tray sections

For rear contact hazard protection of the Mini-PLS assembly.

Length (L) mm	Packs of	<b>Model No. SV</b>
250	1	<b>9604.000</b>
500	1	<b>9605.000</b>
700	1	<b>9606.000</b>
1100	1	<b>9607.000</b>

### **6** Mini-PLS cover sections

May be cut to length individually; for clip-on mounting onto the Mini-PLS base tray section.

Length (L) mm	Packs of	<b>Model No. SV</b>
250	1	<b>9608.000</b>
500	1	<b>9609.000</b>

**Material**

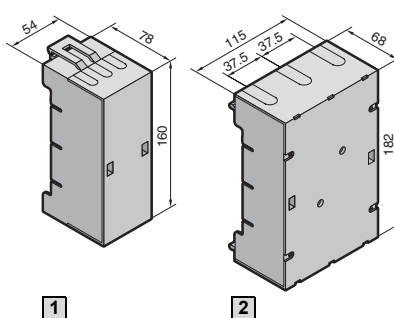
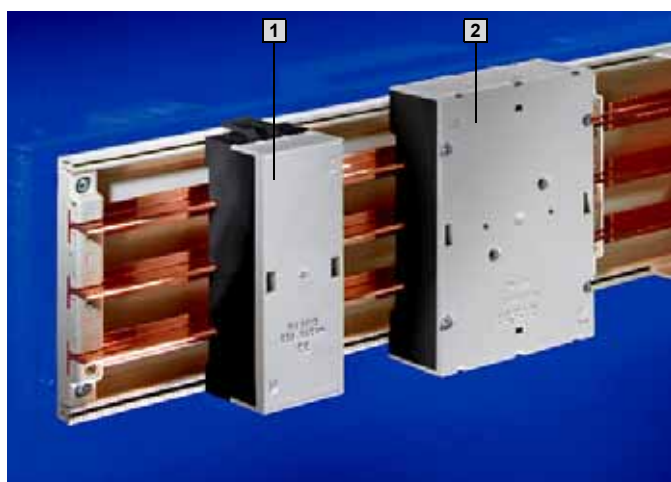
**Base tray and cover sections:**

Thermally modified hard PVC.  
Continuous operating temperature max. 91°C.  
Fire protection corresponding to UL 94-V0.

**Colour:**  
RAL 7035

# Busbar systems up to 250 A (40 mm)

## Mini-PLS busbar connection adaptors (3-pole)



### Material:

Polyamide (PA 6.6),  
30 % fibreglass-reinforced.  
Continuous operating  
temperature max. 140°C.  
Fire protection corresponding  
to UL 94-V0.

### Supply includes:

Cover.

### Colour:

RAL 7035 (cover),  
RAL 9011 (chassis)

B  
2.1

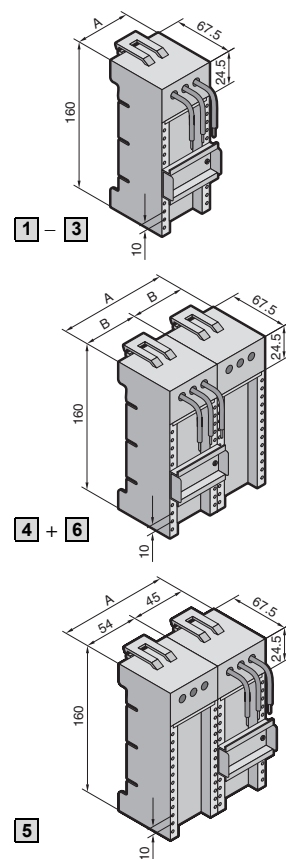
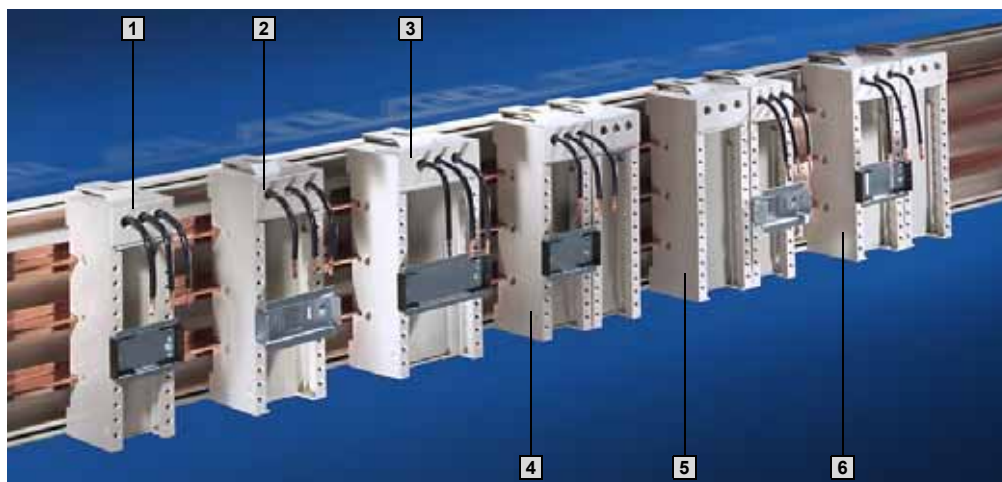
Busbar systems up to 250 A (40 mm)

Design	1	2	Page
Rated current up to	63 A	250 A	
Rated operating voltage	690 V~	690 V~	
Connection	top/bottom	top/bottom	
Connection of round conductors <sup>1)</sup>	1.5 – 35 mm <sup>2</sup>	10 – 120 mm <sup>2</sup>	
Clamping area for laminated copper bars	10 x 8 mm	17 x 15 mm	
Tightening torque			
• Terminal screw	2 – 3 Nm	4 – 6 Nm	
Packs of	1	1	
<b>Model No. SV</b>	<b>9613.000</b>	<b>9612.000</b>	
<b>Accessories</b>			
Laminated copper bars	■	■	411

<sup>1)</sup> Wire end ferrules should be used with fine wire conductors.

# Busbar systems up to 250 A (40 mm)

## Mini-PLS component adaptors 12 A/25 A (3-pole)



B  
2.1

Busbar systems up to 250 A (40 mm)

### Material:

Polyamide (PA 6.6),  
30 % fibreglass-reinforced.  
Continuous operating  
temperature max. 140°C.  
Fire protection corresponding  
to UL 94-V0.

### Colour:

RAL 7035

### Note:

Overview of switchgear for the  
appropriate adaptor,  
see page 1236.

The current carrying capacity  
of the supply cables fitted as  
standard can be found on  
page 1236.

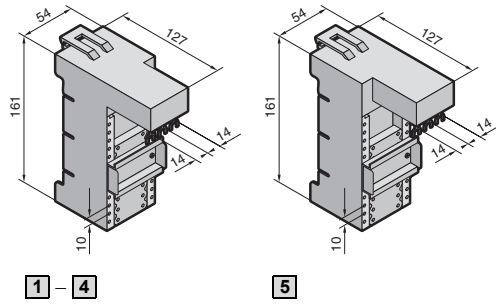
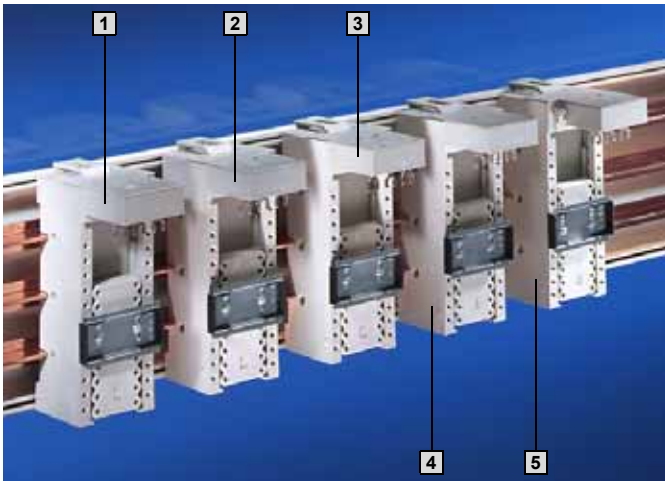
Design		1			2		3		4	5	6	Page
Construction width	A	45 mm			54 mm		72 mm		90 mm	99 mm	108 mm	
	B	-			-		-		45 mm	-	54 mm	
Rated current up to		12 A	25 A	25 A	25 A	25 A	25 A	25 A	25 A	25 A	25 A	
Rated operating voltage		690 V~	690 V~	690 V~	690 V~	690 V~	690 V~	690 V~	690 V~	690 V~	690 V~	
Cable outlet		top	top	top	top	top	top	top	top	top	top	
Connection cables <sup>1)</sup>		AWG 14	AWG 12	AWG 12	AWG 12	AWG 12	AWG 12	AWG 12	AWG 12	AWG 12	AWG 12	
Support rails	Qty.	1	1	1	1	1	1	1	1	1	1	
	Height	7.5 mm	7.5 mm	15 mm	7.5 mm	15 mm	7.5 mm	15 mm	7.5 mm	7.5 mm	7.5 mm	
Packs of		1	1	1	1	1	1	1	1	1	1	
<b>Model No. SV</b>		<b>9614.110</b>	<b>9614.100</b>	<b>9615.100</b>	<b>9614.000</b>	<b>9615.000</b>	<b>9625.000</b>	<b>9626.000</b>	<b>9629.010</b>	<b>9629.020</b>	<b>9629.030</b>	

Accessories	Packs of											
Insert strip	2	9623.000	9623.000	9623.000	9623.000	9623.000	9623.000	9623.000	9623.000	9623.000	9623.000	400
Support rails, width 45 mm, height 7.5 mm	10	9320.150	9320.150	9320.150	-	-	-	-	9320.150	9320.150	-	404
Support rails, width 54 mm, height 7.5 mm	10	-	-	-	3548.000	3548.000	-	-	-	3548.000	3548.000	404
Support rails, width 72 mm, height 7.5 mm	10	-	-	-	-	-	3549.000	3549.000	-	-	-	404
Plug-in connector	1	9623.100	9623.100	9623.100	9623.100	9623.100	-	-	9623.100	9623.100	9623.100	405

<sup>1)</sup> AWG = American Wire Gauges  
AWG 14 = 2.08 mm<sup>2</sup> ± 2.5 mm<sup>2</sup>  
AWG 12 = 3.31 mm<sup>2</sup> ± 4 mm<sup>2</sup>

# Busbar systems up to 250 A (40 mm)

## Mini-PLS quick-fit component adaptors 25 A/32 A (3-pole)



Rapid DIN rail adjustment for component connection.

**Material:**

Polyamide (PA 6.6),  
30 % fibreglass-reinforced.  
Continuous operating  
temperature max. 140°C.  
Fire protection corresponding  
to UL 94-V0.

**Colour:**  
RAL 7035

**Note:**

Overview of switchgear for the  
appropriate adaptor,  
see page 1236.

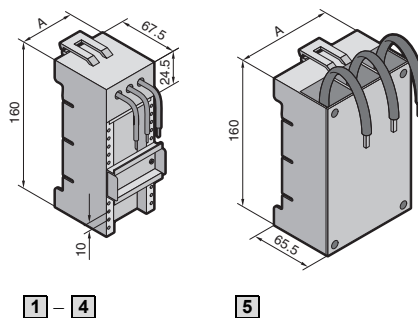
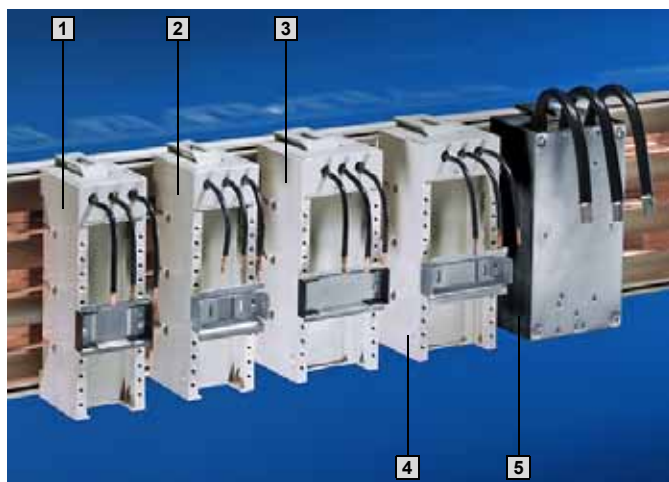
B  
2.1

Busbar systems up to 250 A (40 mm)

Design		1	2	3	4	5	Page
Construction width		54 mm	54 mm	54 mm	54 mm	54 mm	
Rated current up to		25 A at 35°C ambient temperature 32 A at 25°C ambient temperature					
Rated operating voltage		690 V~	690 V~	690 V~	690 V~	690 V~	
Support rails	Qty.	1	1	1	1	1	
	Height	7.5 mm	7.5 mm	7.5 mm	7.5 mm	7.5 mm	
Packs of		1	1	1	1	1	
<b>Model No. SV</b>		<b>9618.000</b>	<b>9619.000</b>	<b>9620.000</b>	<b>9621.000</b>	<b>9622.000</b>	
<b>Accessories</b>	Packs of						
Insert strip	2	9623.000	9623.000	9623.000	9623.000	9623.000	400

# Busbar systems up to 250 A (40 mm)

## Mini-PLS component adaptors 40 A/100 A (3-pole)



**B**  
**2.1**  
**Busbar systems up to 250 A (40 mm)**

**Material:**

Polyamide (PA 6.6),  
 30 % fibreglass-reinforced.  
 Continuous operating  
 temperature max. 140°C.  
 Fire protection corresponding  
 to UL 94-V0.

**Colour:**

RAL 7035,  
 RAL 9011 (SV 9629.000)

**Note:**

Overview of switchgear for the  
 appropriate adaptor,  
 see page 1237.

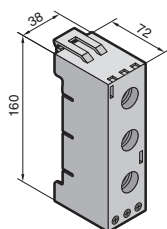
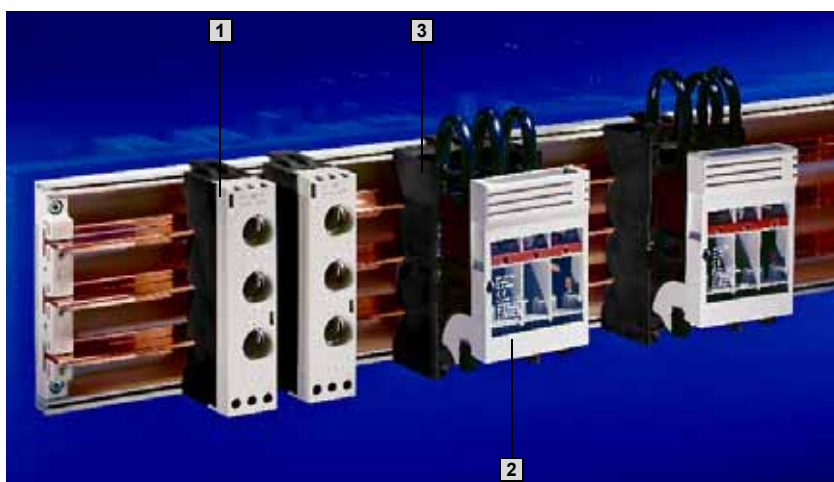
The current carrying capacity  
 of the supply cables fitted as  
 standard can be found on  
 page 1236.

Design		<b>1</b>	<b>2</b>	<b>3</b>	<b>4</b>	<b>5</b>	Page
Construction width (A)		54 mm	54 mm	72 mm	72 mm	90 mm	
Rated current up to		40 A	40 A	40 A	40 A	100 A	
Rated operating voltage		690 V~	690 V~	690 V~	690 V~	690 V~	
Cable outlet		top	top	top	top	top	
Connection cables <sup>1)</sup>		AWG 10	AWG 10	AWG 10	AWG 10	35 mm <sup>2</sup>	
Support rails	Qty.	1	1	1	1	–	
	Height	7.5 mm	15 mm	7.5 mm	15 mm	–	
Packs of		1	1	1	1	1	
<b>Model No. SV</b>		<b>9616.000</b>	<b>9617.000</b>	<b>9627.000</b>	<b>9628.000</b>	<b>9629.000</b>	
<b>Accessories</b>	Packs of						
Insert strip	2	9623.000	9623.000	9623.000	9623.000	–	400
Support rails width 54 mm, height 7.5 mm	10	3548.000	3548.000	–	–	–	404
Support rails width 72 mm, height 7.5 mm	10	–	–	3549.000	3549.000	–	404
Support rails width 72 mm, height 15 mm	5	–	–	–	–	9320.120	405
Plug-in connector	1	9623.100	9623.100	–	–	–	405

<sup>1)</sup> AWG = American Wire Gauges  
 AWG 10 = 5.26 mm<sup>2</sup> ± 6 mm<sup>2</sup>

# Busbar systems up to 250 A (40 mm)

## Mini-PLS bus-mounting fuse base/NH on-load isolator (3-pole)



### 1 Mini-PLS bus-mounting fuse base D 02-E 18

**Material:**

Polyamide (PA 6.6), 30 % fibreglass-reinforced. Continuous operating temperature max. 140°C. Fire protection corresponding to UL 94-V0.

**Colour:**

RAL 7035 (cover),  
RAL 9011 (chassis)

**Supply includes:**

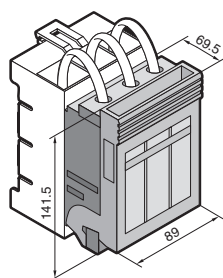
Cover.

Rated current	63 A
Rated operating voltage	400 V~
Connection of round conductors <sup>1)</sup>	1.5 – 16 mm <sup>2</sup>
Tightening torque	
• Terminal	2.5 Nm
Packs of	1
<b>Model No. SV</b>	<b>9630.000</b>

<sup>1)</sup> Wire end ferrules should be used with fine wire conductors.

**+ Accessories:**

Identification labels SV 9320.080, see page 406.



### 2 NH on-load isolators size 000

**Material:**

Chassis, lid, contact hazard protection: Fibreglass-reinforced polyamide  
Contact tracks: Silver-plated hard copper

**Colour:**

RAL 7035

**Technical information,**  
see page 1246.

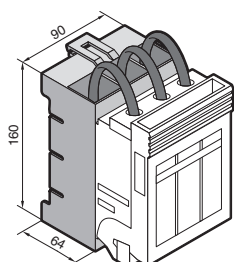
Size	000
Rated current	100 A
Rated operating voltage	690 V~
Cable outlet	top/bottom
Type of connection	Terminal up to 50 mm <sup>2</sup>
Tightening torque	3 Nm
Packs of	1
<b>Model No. SV</b>	<b>3431.000</b>

**! Also required:**

Mini-PLS busbar adaptor, see below.

**+ Accessories:**

Micro-switch SV 3071.000, see page 406.



### 3 Mini-PLS busbar adaptor

For mounting SV 3431.000 on Rittal Mini-PLS.

**Material:**

Polyamide (PA 6.6), 30 % fibreglass-reinforced. Continuous operating temperature max. 140°C. Fire protection corresponding to UL 94-V0.

**Colour:**

RAL 9011

Packs of	<b>Model No. SV</b>
1	<b>9629.100</b>

**Supply includes:**

35 mm<sup>2</sup> connection cables fitted as standard.