

Enclosure systems

Features



TS 8, the Top enclosure system, a system platform for just about any application.

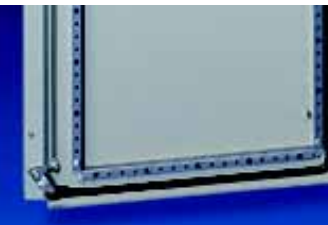
Every enclosure, accessible from all sides, is a specialist, even for very specific tasks, and when used in conjunction with the system accessories, offers "infinite possibilities".

ES, the free-standing enclosure with solid sides.

1 3

Enclosure systems

Baying systems TS 8



Door frame with holes on a 25 mm pitch pattern, for the attachment of ducts, utility lecterns, cable harnesses, wiring plan pockets etc.



Mounting plate, zinc-plated, folded all round, **depth-variable** on a 25 mm pitch pattern. After installation, the slide rails may be used as mounting rails for the interior installation.



Maximum space for cable entry, thanks to multi-divided gland plates and accessory modules. With a square base area, cable entry may be installed rotated through 90°.



Universal interior installation: frame sections, slotted on a 25 mm pitch pattern, two vertical mounting levels.



The roof plate is secured with **removable eyebolts**. The **all-round rain channel** prevents dirt and moisture from lying in contact with the seal.



Adjacent door locked into position by bars top and bottom with interconnecting rods and handle.



Potential equalisation, automatic across assembly components: In standard enclosures, all panels are conductively connected to one another.



Provided only electrical equipment is mounted on the mounting plate and there is no chance of a voltage overspill to other conductive parts of the enclosure,



automatic potential equalisation (while conforming to DIN EN 60 439-1) eliminates the need for connection of an additional PE conductor.



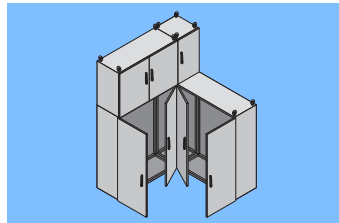
Base/plinth components (front and rear) combined with **trim panels** (side) or used to link two base/plinths.



Two symmetrical levels for **maximum space utilisation** in the width and depth.



Comfort handles
Thanks to the "folding" action, rather than a "swinging" action, the door surface can be utilised to optimum effect e.g. for control and display instruments.



Bayable on all sides
Whether around corners, forwards, backwards, to the left or right or even upwards if required, the baying possibilities are unlimited.



If the rear panel is exchanged for a door and the assembly components of the side panel are exchanged for side panel hinges, **all-round uninhibited access** to the enclosure is facilitated.



PE conductor connection points on all relevant parts. Earthing bolts with contact discs, paint-free and corrosion-proof.



The system platform for

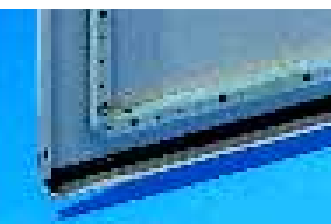
- Electronic enclosures, see page 148.
- Modular front design, see page 149.
- Isolator door locking, see page 150.
- Corner enclosures, see page 933.
- Ex pressurisation, see page 152.

- Areas at risk from earthquakes, see page 153.
- Higher protection categories, see page 151.
- Stainless steel enclosure systems, see page 322.
- EMC enclosures, see page 329.
- ISV-TS 8 enclosures, see page 459.
- SV-TS 8 enclosures, see page 438.

- TS network enclosures, see page 745.
- TS 8 server enclosures, see page 777.



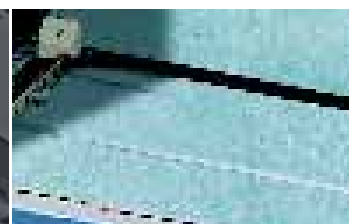
ES free-standing enclosures



Door frame with holes on a 25 mm pitch pattern, for the attachment of ducts, utility lighters, cable harnesses, wiring plan pockets etc.



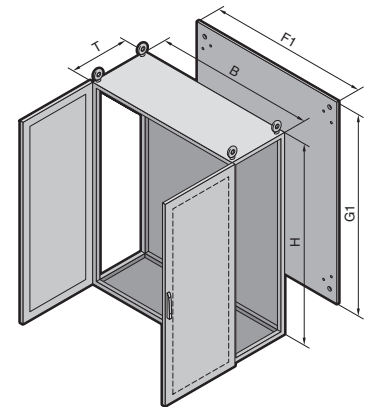
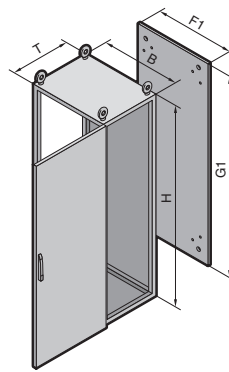
Enclosure, **with system slots** on a 25 mm pitch pattern all round, for interior installation with PS accessories.



Three-piece, interchangeable, movable **gland plates** for easier cable entry and machining.

Baying systems TS 8

Height: 1200, depth: 500/height: 1400, depth: 500



1 B Baying systems TS 8

Material:

Sheet steel
Enclosure frame, roof, rear panel and gland plates: 1.5 mm
Door: 2.0 mm
Mounting plate: 3.0 mm

Surface finish:

Enclosure frame: Dipcoat-primed
Door, roof and rear panel: Dipcoat-primed, powder-coated in textured RAL 7035 on the outside
Mounting plates and gland plates: Zinc-plated

Protection category:

IP 55 to EN 60 529/09.2000, complies with NEMA 12.

Supply includes:

Enclosure frame with doors, mounting plate, gland plates, rear panel and roof plate.

Approvals,
see page 30.

Detailed drawing/nominal dimensions,
see page 1184 – 1185.

Width (B) mm	Packs of	600	800	1200	600	800	1200	Page
Height (H) mm		1200	1200	1200	1400	1400	1400	
Depth (T) mm		500	500	500	500	500	500	
Mounting plate width (F1) mm		499	699	1099	499	699	1099	
Mounting plate height (G1) mm		1096	1096	1096	1296	1296	1296	
Model No. TS	1	8615.500	8815.500	8215.500	8645.500	8845.500	8245.500	
Door(s)		1	1	2	1	1	2	
Weight (kg)		74.5	92.1	140.0	86.0	107.5	163.5	

Walls								
Side panels	2	8115.235	8115.235	8115.235	8145.235	8145.235	8145.235	917
Divider panel	1	-	-	-	8609.450	8609.450	8609.450	921

Base/plinth									
Components front and rear	Height 100 mm	1 set	8601.600	8601.800	8601.200	8601.600	8601.800	8601.200	893
	Height 200 mm	1 set	8602.600	8602.800	8602.200	8602.600	8602.800	8602.200	893
Trim panels (sides)	Height 100 mm	1 set	8601.050	8601.050	8601.050	8601.050	8601.050	8601.050	893
	Height 200 mm	1 set	8602.050	8602.050	8602.050	8602.050	8602.050	8602.050	893

Accessories								
Cable clamp rails for cable clamps	2	4191.000	4192.000	4196.000	4191.000	4192.000	4196.000	1061
Cable clamp rails (C section) for cable clamps	6	4944.000	4945.000	4947.000	4944.000	4945.000	4947.000	999
Support strips for door	20	4596.000	4598.000	4596.000	4596.000	4598.000	4596.000	964
Wiring plan pocket, sheet steel	1	4116.000	4118.000	4116.000	4116.000	4118.000	4116.000	967

Lock systems
Standard double-bit lock insert may be exchanged for lock inserts, type F, see page 956, and comfort handle, see page 947 – 948.

To order enclosures in textured RAL 7032 please add extension .600 to the Model No., and for primed enclosures use extension .800. Delivery times available on request.



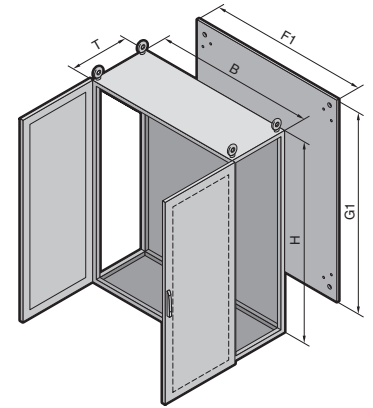
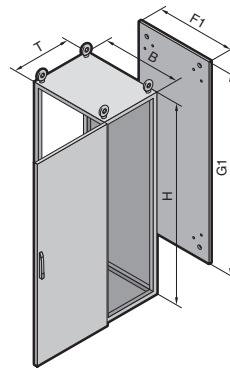
Signal pillar LED compact,
Model No. see page 1125.



Baying cover, top,
Model No. see page 932.

Baying systems TS 8

Height: 1600, depth: 500



Material:

Sheet steel
Enclosure frame, roof, rear panel and gland plates: 1.5 mm
Door: 2.0 mm
Mounting plate: 3.0 mm

Surface finish:

Enclosure frame: Dipcoat-primed
Door, roof and rear panel: Dipcoat-primed, powder-coated in textured RAL 7035 on the outside
Mounting plates and gland plates: Zinc-plated

Protection category:

IP 55 to EN 60 529/09.2000, complies with NEMA 12.

Supply includes:

Enclosure frame with doors, mounting plate, gland plates, rear panel and roof plate.

Approvals,
see page 30.

Detailed drawing/nominal dimensions,
see page 1184 – 1185.

Baying systems TS 8 1.3

Width (B) mm	Packs of	600	800	1200	Page
Height (H) mm		1600	1600	1600	
Depth (T) mm		500	500	500	
Mounting plate width (F1) mm		499	699	1099	
Mounting plate height (G1) mm		1496	1496	1496	
Model No. TS	1	8665.500	8865.500	8265.500	
Door(s)		1	1	2	
Weight (kg)		100.0	103.0	159.3	

Walls					
Side panels	2	8165.235	8165.235	8165.235	917
Divider panel	1	8609.650	8609.650	8609.650	921

Base/plinth						
Components front and rear	Height 100 mm	1 set	8601.600	8601.800	8601.200	893
	Height 200 mm	1 set	8602.600	8602.800	8602.200	893
Trim panels (sides)	Height 100 mm	1 set	8601.050	8601.050	8601.050	893
	Height 200 mm	1 set	8602.050	8602.050	8602.050	893

Accessories					
Cable clamp rails for cable clamps	2	4191.000	4192.000	4196.000	1061
Cable clamp rails (C section) for cable clamps	6	4944.000	4945.000	4947.000	999
Support strips for door	20	4596.000	4598.000	4596.000	964
Wiring plan pocket, sheet steel	1	4116.000	4118.000	4116.000	967

Lock systems
Standard double-bit lock insert may be exchanged for lock inserts, type F, see page 956, and comfort handle, see page 947 – 948.

To order enclosures in textured RAL 7032 please add extension .600 to the Model No., and for primed enclosures use extension .800. Delivery times available on request.



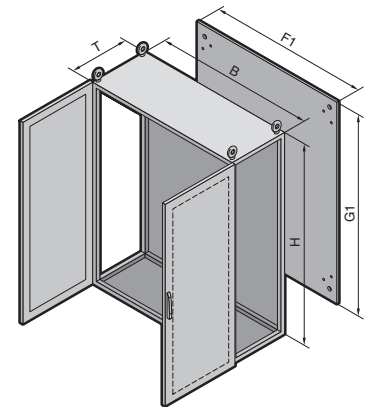
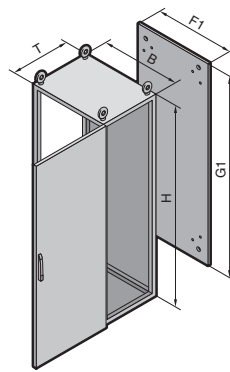
Connector gland
for connecting a keyboard, mouse or scanner,
Model No. see page 1057.



Hinge attachment
for partial mounting plates,
Model No. see page 985.

Baying systems TS 8

Height: 1800, depth: 400



1 B Baying systems TS 8

Material:

Sheet steel
Enclosure frame, roof, rear panel and gland plates: 1.5 mm
Door: 2.0 mm
Mounting plate: 3.0 mm

Surface finish:

Enclosure frame: Dipcoat-primed
Door, roof and rear panel: Dipcoat-primed, powder-coated in textured RAL 7035 on the outside
Mounting plates and gland plates: Zinc-plated

Protection category:

IP 55 to EN 60 529/09.2000, complies with NEMA 12.

Supply includes:

Enclosure frame with doors, mounting plate, gland plates, rear panel and roof plate.



Accessories:

Corner enclosures, see page 933.



Possible alternative:

Instead of a door or rear panel, matching section doors with integral cooling module, see page 633 – 634.

Approvals,
see page 30.

Detailed drawing/nominal dimensions,
see page 1184 – 1185.

Width (B) mm	Packs of	600	800	1000	1000	1200	Page
Height (H) mm		1800	1800	1800	1800	1800	
Depth (T) mm		400	400	400	400	400	
Mounting plate width (F1) mm		499	699	899	899	1099	
Mounting plate height (G1) mm		1696	1696	1696	1696	1696	
Model No. TS	1	8684.500	8884.500	8084.500	8080.500	8284.500	
Door(s)		1	1	1	2	2	
Weight (kg)		91.3	113.5	136.4	140.0	170.6	

Walls

Side panels	2	8184.235	8184.235	8184.235	8184.235	8184.235	917
Divider panel	1	8609.840	8609.840	8609.840	8609.840	8609.840	921

Base/plinth

Components front and rear	Height 100 mm	1 set	8601.600	8601.800	8601.000	8601.000	8601.200	893
	Height 200 mm	1 set	8602.600	8602.800	8602.000	8602.000	8602.200	893
Trim panels (sides)	Height 100 mm	1 set	8601.040	8601.040	8601.040	8601.040	8601.040	893
	Height 200 mm	1 set	8602.040	8602.040	8602.040	8602.040	8602.040	893

Accessories

Cable clamp rails for cable clamps	2	4191.000	4192.000	4336.000	4336.000	4196.000	1061
Cable clamp rails (C section) for cable clamps	6	4944.000	4945.000	4946.000	4946.000	4947.000	999
Support strips for door	20	4596.000	4598.000	4599.000	4309.000	4596.000	964
Wiring plan pocket, sheet steel	1	4116.000	4118.000	4124.000	4115.000	4116.000	967

Lock systems

Standard double-bit lock insert may be exchanged for lock inserts, type F, see page 956, and comfort handle, see page 947 – 948.

To order enclosures in textured RAL 7032 please add extension .600 to the Model No., and for primed enclosures use extension .800. Delivery times available on request.



Snap-on nut

for screw-fastening to the vertical section, Model No. see page 1005.

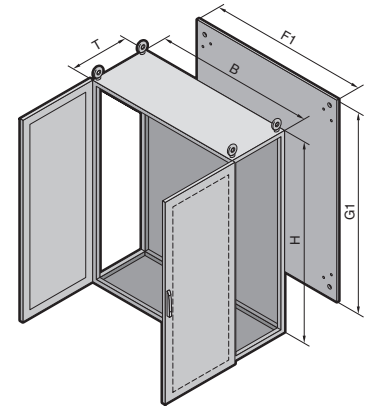
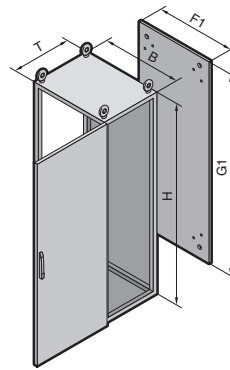


System window

to protect against unauthorised access and preserve the protection category, Model No. see page 943.

Baying systems TS 8

Height: 1800, depth: 500



Baying systems TS 8 1.3

Material:

Sheet steel
Enclosure frame, roof, rear panel and gland plates: 1.5 mm
Door: 2.0 mm
Mounting plate: 3.0 mm

Surface finish:

Enclosure frame: Dipcoat-primed
Door, roof and rear panel: Dipcoat-primed, powder-coated in textured RAL 7035 on the outside
Mounting plates and gland plates: Zinc-plated

Protection category:

IP 55 to EN 60 529/09.2000, complies with NEMA 12 (except TS 8485.510).

Supply includes:

Enclosure frame with doors, mounting plate, gland plates, rear panel and roof plate.

Accessories:

Corner enclosures, see page 933.

Possible alternative:

Instead of a door or rear panel, matching section doors with integral cooling module, see page 633 – 634.

Approvals, see page 30.

Detailed drawing/nominal dimensions, see page 1184 – 1185.

Width (B) mm	Packs of	400	600	800	800	1200	Page
Height (H) mm		1800	1800	1800	1800	1800	
Depth (T) mm		500	500	500	500	500	
Mounting plate width (F1) mm		–	499	699	699	1099	
Mounting plate height (G1) mm		–	1696	1696	1696	1696	
Model No. TS	1	8485.510¹⁾	8685.500	8885.500	8880.500	8285.500	
Door(s)		1	1	1	2	2	
Weight (kg)		49.2	93.8	115.8	122.5	173.3	

Walls							
Side panels	2	8185.235	8185.235	8185.235	8185.235	8185.235	917
Divider panel	1	8609.850	8609.850	8609.850	8609.850	8609.850	921
Divider panel for module plates	1	8609.100	8609.100	8609.100	8609.100	8609.100	922

Base/plinth								
Components front and rear	Height 100 mm	1 set	8601.400	8601.600	8601.800	8601.800	8601.200	893
	Height 200 mm	1 set	8602.400	8602.600	8602.800	8602.800	8602.200	893
Trim panels (sides)	Height 100 mm	1 set	8601.050	8601.050	8601.050	8601.050	8601.050	893
	Height 200 mm	1 set	8602.050	8602.050	8602.050	8602.050	8602.050	893

Accessories							
Cable clamp rails for cable clamps	2	4193.000	4191.000	4192.000	4192.000	4196.000	1061
Cable clamp rails (C section) for cable clamps	6	–	4944.000	4945.000	4945.000	4947.000	999
Support strips for door	20	–	4596.000	4598.000	4594.000	4596.000	964
Wiring plan pocket, sheet steel	1	–	4116.000	4118.000	4114.000	4116.000	967

Lock systems
Standard double-bit lock insert may be exchanged for lock inserts, type F, see page 956, and comfort handle, see page 947 – 948.

¹⁾ Without tubular door frame, mounting plate and gland plates. Available to order as accessories: Mounting plate, see page 987, gland plates, see from page 911. To order enclosures in textured RAL 7032 please add extension .600 or .610 to the Model No., and for primed enclosures use extension .800 or .810. Delivery times available on request.



Interface flap

for safe, modular accommodation of sockets and interfaces, Model No. see page 1151.

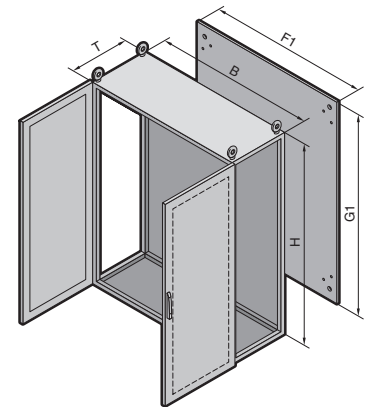
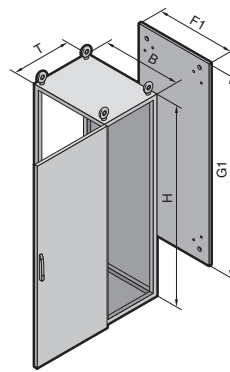


Compact light

for space-saving installation on a vertical or horizontal section, Model No. see page 1027.

Baying systems TS 8

Height: 1800, depth: 600



Material:

Sheet steel
Enclosure frame, roof, rear panel and gland plates: 1.5 mm
Door: 2.0 mm
Mounting plate: 3.0 mm

Surface finish:

Enclosure frame: Dipcoat-primed
Door, roof and rear panel: Dipcoat-primed, powder-coated in textured RAL 7035 on the outside

Mounting plates and gland plates: Zinc-plated

Supply includes:

Enclosure frame with doors, mounting plate, gland plates, rear panel, roof plate and 2 support strips (TS 4696.000, see page 997), fitted in the enclosure depth.

Protection category:

IP 55 to EN 60 529/09.2000, complies with NEMA 12 (except TS 8486.510).



Accessories:

Corner enclosures, see page 933.



Possible alternative:

Instead of a door or rear panel, matching section doors with integral cooling module, see page 633 – 634.

Approvals, see page 30.

Detailed drawing/nominal dimensions, see page 1184 – 1185.

Width (B) mm	Packs of	400	600	800	800	1200	Page
Height (H) mm		1800	1800	1800	1800	1800	
Depth (T) mm		600	600	600	600	600	
Mounting plate width (F1) mm		–	499	699	699	1099	
Mounting plate height (G1) mm		–	1696	1696	1696	1696	
Model No. TS	1	8486.510¹⁾	8686.500	8886.500	8881.500	8286.500	
Door(s)		1	1	1	2	2	
Weight (kg)		51.7	96.8	120.3	125.8	179.9	

Walls							
Side panels	2	8186.235	8186.235	8186.235	8186.235	8186.235	917
Divider panel	1	8609.860	8609.860	8609.860	8609.860	8609.860	921
Divider panel for module plates	1	8609.110	8609.110	8609.110	8609.110	8609.110	922
Climate control side panel	1	3331.XXX	3331.XXX	3331.XXX	3331.XXX	3331.XXX	635

Base/plinth								
Components front and rear	Height 100 mm	1 set	8601.400	8601.600	8601.800	8601.800	8601.200	893
	Height 200 mm	1 set	8602.400	8602.600	8602.800	8602.800	8602.200	893
Trim panels (sides)	Height 100 mm	1 set	8601.060	8601.060	8601.060	8601.060	8601.060	893
	Height 200 mm	1 set	8602.060	8602.060	8602.060	8602.060	8602.060	893

Accessories							
Cable clamp rails for cable clamps	2	4193.000	4191.000	4192.000	4192.000	4196.000	1061
Cable clamp rails (C section) for cable clamps	6	–	4944.000	4945.000	4945.000	4947.000	999
Support strips for door	20	–	4596.000	4598.000	4594.000	4596.000	964
Wiring plan pocket, sheet steel	1	–	4116.000	4118.000	4114.000	4116.000	967

Lock systems
Standard double-bit lock insert may be exchanged for lock inserts, type F, see page 956, and comfort handle, see page 947 – 948.

¹⁾ Without tubular door frame, mounting plate and gland plates. Available to order as accessories: Mounting plate, see page 987, gland plates, see from page 913. To order enclosures in textured RAL 7032 please add extension .600 or .610 to the Model No., and for primed enclosures use extension .800 or .810. Delivery times available on request.



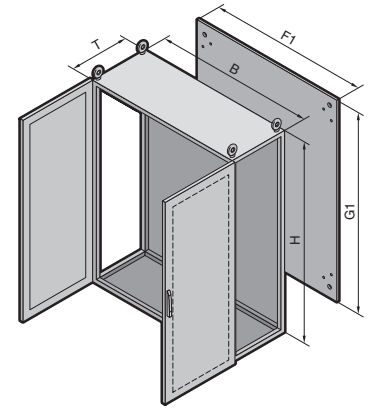
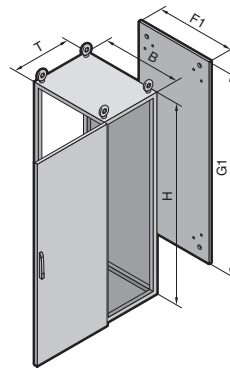
TFT monitor
for installation in doors and side panels,
Model No. see page 1133.



Gland plates,
Model No. see from page 911.

Baying systems TS 8

Height: 2000, depth: 400



Material:

Sheet steel
Enclosure frame, roof, rear panel and gland plates: 1.5 mm
Door: 2.0 mm
Mounting plate: 3.0 mm

Surface finish:

Enclosure frame:
Dipcoat-primed
Door, roof and rear panel:
Dipcoat-primed, powder-coated in textured RAL 7035 on the outside
Mounting plates and gland plates: Zinc-plated

Protection category:

IP 55 to EN 60 529/09.2000, complies with NEMA 12.

Supply includes:

Enclosure frame with doors, mounting plate, gland plates, rear panel and roof plate.

Accessories:

Corner enclosures, see page 933.



Possible alternative:

Instead of a door or rear panel, matching section doors with integral cooling module, see page 633 – 634.

Approvals, see page 30.

Detailed drawing/nominal dimensions, see page 1184 – 1185.

Width (B) mm	Packs of	600	800	1000	1200	Page
Height (H) mm		2000	2000	2000	2000	
Depth (T) mm		400	400	400	400	
Mounting plate width (F1) mm		499	699	899	1099	
Mounting plate height (G1) mm		1896	1896	1896	1896	
Model No. TS	1	8604.500	8804.500	8004.500	8204.500	
Door(s)		1	1	2	2	
Weight (kg)		99.0	124.0	152.8	184.5	

Walls

Side panels	2	8104.235	8104.235	8104.235	8104.235	917
Divider panel	1	8609.040	8609.040	8609.040	8609.040	921

Base/plinth

Components front and rear	Height 100 mm	1 set	8601.600	8601.800	8601.000	8601.200	893
	Height 200 mm	1 set	8602.600	8602.800	8602.000	8602.200	893
Trim panels (sides)	Height 100 mm	1 set	8601.040	8601.040	8601.040	8601.040	893
	Height 200 mm	1 set	8602.040	8602.040	8602.040	8602.040	893

Accessories

Cable clamp rails for cable clamps	2	4191.000	4192.000	4336.000	4196.000	1061
Cable clamp rails (C section) for cable clamps	6	4944.000	4945.000	4946.000	4947.000	999
Support strips for door	20	4596.000	4598.000	4309.000	4596.000	964
Wiring plan pocket, sheet steel	1	4116.000	4118.000	4115.000	4116.000	967

Lock systems

Standard double-bit lock insert may be exchanged for lock inserts, type F, see page 956, and comfort handle, see page 947 – 948.

To order enclosures in textured RAL 7032 please add extension .600 to the Model No., and for primed enclosures use extension .800. Delivery times available on request.



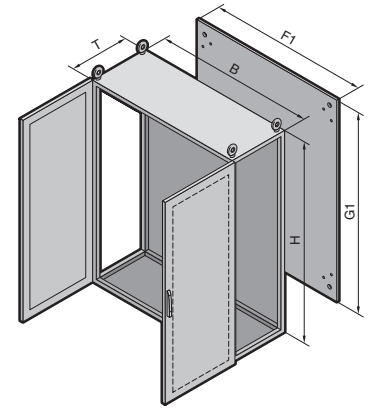
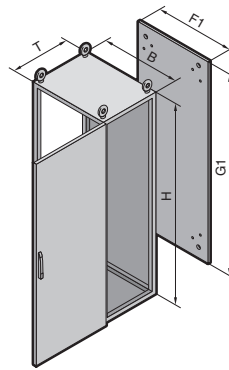
Cable trunking, vertical, to match the section and horizontally to match the mounting plate, Model No. see page 1059 – 1060.



Rail for EMC shielding brackets and cable clamps, Model No. see page 1031.

Baying systems TS 8

Height: 2000, depth: 500



Baying systems TS 8

Material:

Sheet steel
Enclosure frame, roof, rear panel and gland plates: 1.5 mm
Door: 2.0 mm
Mounting plate: 3.0 mm

Surface finish:

Enclosure frame: Dipcoat-primed
Door, roof and rear panel: Dipcoat-primed, powder-coated in textured RAL 7035 on the outside
Mounting plate and gland plates: Zinc-plated

Protection category:

IP 55 to EN 60 529/09.2000, complies with NEMA 12 (except TS 8405.510).

Supply includes:

Enclosure frame with doors, mounting plate, gland plates, rear panel and roof plate.

Accessories:

Corner enclosures, see page 933.

Possible alternative:

Instead of a door or rear panel, matching section doors with integral cooling module, see page 633 – 634.

Approvals, see page 30.

Detailed drawing/nominal dimensions, see page 1184 – 1185.

	Packs of	400	600	800	1000	1200	Page
Width (B) mm							
Height (H) mm		2000	2000	2000	2000	2000	
Depth (T) mm		500	500	500	500	500	
Mounting plate width (F1) mm		–	499	699	899	1099	
Mounting plate height (G1) mm		–	1896	1896	1896	1896	
Model No. TS	1	8405.510¹⁾	8605.500	8805.500	8005.500	8205.500	
Door(s)		1	1	1	2	2	
Weight (kg)		60.7	101.3	126.3	157.1	190.6	

Walls							
Side panels	2	8105.235	8105.235	8105.235	8105.235	8105.235	917
Divider panel	1	8609.050	8609.050	8609.050	8609.050	8609.050	921
Divider panel for module plates	1	8609.120	8609.120	8609.120	8609.120	8609.120	922

Base/plinth								
Components front and rear	Height 100 mm	1 set	8601.400	8601.600	8601.800	8601.000	8601.200	893
	Height 200 mm	1 set	8602.400	8602.600	8602.800	8602.000	8602.200	893
Trim panels (sides)	Height 100 mm	1 set	8601.050	8601.050	8601.050	8601.050	8601.050	893
	Height 200 mm	1 set	8602.050	8602.050	8602.050	8602.050	8602.050	893

Accessories							
Cable clamp rails for cable clamps	2	4193.000	4191.000	4192.000	4336.000	4196.000	1061
Cable clamp rails (C section) for cable clamps	6	–	4944.000	4945.000	4946.000	4947.000	999
Support strips for door	20	–	4596.000	4598.000	4309.000	4596.000	964
Wiring plan pocket, sheet steel	1	–	4116.000	4118.000	4115.000	4116.000	967

Lock systems
Standard double-bit lock insert may be exchanged for lock inserts, type F, see page 956 and comfort handle, see page 947 – 948.

¹⁾ Without tubular door frame, mounting plate and gland plates. Available to order as accessories: Mounting plate, see page 987, gland plates, see from page 911. To order enclosures in textured RAL 7032 please add extension .600 or .610 to the Model No., and for primed enclosures use extension .800 or .810. Delivery times available on request.



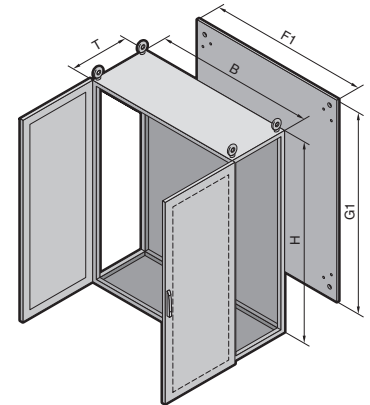
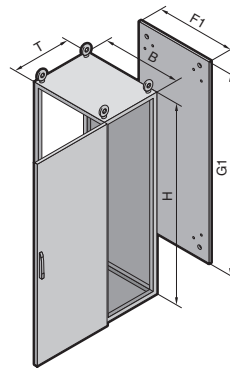
Cable glands
of polyamide or brass,
Model No. see page 1054.



Keyboard,
pull-out with integral trackball,
Model No. see page 1137.

Baying systems TS 8

Height: 2000, depth: 600



Material:

Sheet steel
Enclosure frame, roof, rear panel and gland plates: 1.5 mm
Door: 2.0 mm
Mounting plate: 3.0 mm

Surface finish:

Enclosure frame: Dipcoat-primed
Door, roof and rear panel: Dipcoat-primed, powder-coated in textured RAL 7035 on the outside

Mounting plates and gland plates: Zinc-plated

Supply includes:

Enclosure frame with doors, mounting plate, gland plates, rear panel, roof plate and 2 support strips (TS 4696.000, see page 997), fitted in the enclosure depth.

Protection category:

IP 55 to EN 60 529/09.2000, complies with NEMA 12 (except TS 8406.510).



Accessories:

Corner enclosures, see page 933.



Possible alternative:

Instead of a door or rear panel, matching section doors with integral cooling module, see page 633 – 634.

Approvals, see page 30.

Detailed drawing/nominal dimensions, see page 1184 – 1185.

Width (B) mm	Packs of	400	600	800	1000	1200	Page
Height (H) mm		2000	2000	2000	2000	2000	
Depth (T) mm		600	600	600	600	600	
Mounting plate width (F1) mm		–	499	699	899	1099	
Mounting plate height (G1) mm		–	1896	1896	1896	1896	
Model No. TS	1	8406.510¹⁾	8606.500	8806.500	8006.500	8206.500	
Door(s)		1	1	1	2	2	
Weight (kg)		55.7	104.0	130.5	161.2	194.6	

Walls

Side panels	2	8106.235	8106.235	8106.235	8106.235	8106.235	917
Divider panel	1	8609.060	8609.060	8609.060	8609.060	8609.060	921
Divider panel for module plates	1	8609.130	8609.130	8609.130	8609.130	8609.130	922
Climate control side panel	1	3331.XXX	3331.XXX	3331.XXX	3331.XXX	3331.XXX	635

Base/plinth

Components front and rear	Height 100 mm	1 set	8601.400	8601.600	8601.800	8601.000	8601.200	893
	Height 200 mm	1 set	8602.400	8602.600	8602.800	8602.000	8602.200	893
Trim panels (sides)	Height 100 mm	1 set	8601.060	8601.060	8601.060	8601.060	8601.060	893
	Height 200 mm	1 set	8602.060	8602.060	8602.060	8602.060	8602.060	893

Accessories

Cable clamp rails for cable clamps	2	4193.000	4191.000	4192.000	4336.000	4196.000	1061
Cable clamp rails (C section) for cable clamps	6	–	4944.000	4945.000	4946.000	4947.000	999
Support strips for door	20	–	4596.000	4598.000	4309.000	4596.000	964
Wiring plan pocket, sheet steel	1	–	4116.000	4118.000	4115.000	4116.000	967

Lock systems

Standard double-bit lock insert may be exchanged for lock inserts, type F, see page 956, and comfort handle, see page 947 – 948.

¹⁾ Without tubular door frame, mounting plate and gland plates. Available to order as accessories: Mounting plate, see page 987, gland plates, see from page 911. To order enclosures in textured RAL 7032 please add extension .600 or .610 to the Model No., and for primed enclosures use extension .800 or .810. Delivery times available on request.



Section for cable entry

for top mounting on gland plates with routing of the cable clamp strip, Model No. see page 1046.

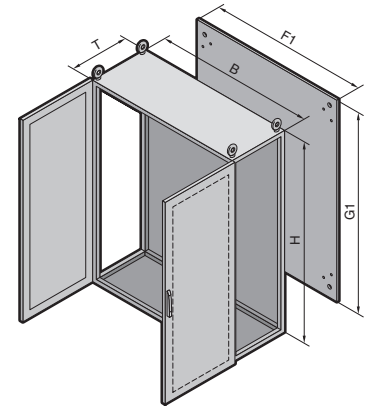
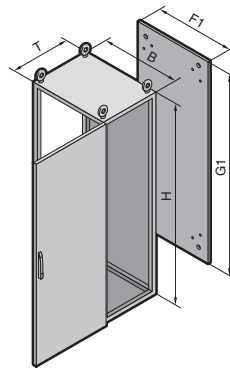


Module plate

for cable entry in the divider panel, Model No. see page 923 – 924.

Baying systems TS 8

Height: 2000, depth: 800



1 B Baying systems TS 8

Material:

Sheet steel
Enclosure frame, roof, rear panel and gland plates: 1.5 mm
Door: 2.0 mm
Mounting plate: 3.0 mm

Surface finish:

Enclosure frame: Dipcoat-primed
Door, roof and rear panel: Dipcoat-primed, powder-coated in textured RAL 7035 on the outside
Mounting plates and gland plates: Zinc-plated

Protection category:

IP 55 to EN 60 529/09.2000, complies with NEMA 12.

Supply includes:

Enclosure frame with doors, mounting plate, gland plates, rear panel and roof plate.

Accessories:

Corner enclosures, see page 933.

Possible alternative:

Instead of a door or rear panel, matching section doors with integral cooling module, see page 633 – 634.

Approvals,
see page 30.

Detailed drawing/nominal dimensions,
see page 1184 – 1185.

Width (B) mm	Packs of	600	800	1200	Page
Height (H) mm		2000	2000	2000	
Depth (T) mm		800	800	800	
Mounting plate width (F1) mm		499	699	1099	
Mounting plate height (G1) mm		1896	1896	1896	
Model No. TS	1	8608.500	8808.500	8208.500	
Door(s)		1	1	2	
Weight (kg)		111.3	137.0	203.0	

Walls					
Side panels	2	8108.235	8108.235	8108.235	917
Divider panel	1	8609.080	8609.080	8609.080	921
TS 8 internal fan mounting panel	1	3348.200	3348.200	3348.200	707

Base/plinth						
Components front and rear	Height 100 mm	1 set	8601.600	8601.800	8601.200	893
	Height 200 mm	1 set	8602.600	8602.800	8602.200	893
Trim panels (sides)	Height 100 mm	1 set	8601.080	8601.080	8601.080	893
	Height 200 mm	1 set	8602.080	8602.080	8602.080	893

Accessories					
Cable clamp rails for cable clamps	2	4191.000	4192.000	4196.000	1061
Cable clamp rails (C section) for cable clamps	6	4944.000	4945.000	4947.000	999
Support strips for door	20	4596.000	4598.000	4596.000	964
Wiring plan pocket, sheet steel	1	4116.000	4118.000	4116.000	967

Lock systems
Standard double-bit lock insert may be exchanged for lock inserts, type F, see page 956, and comfort handle, see page 947 – 948.

To order enclosures in textured RAL 7032 please add extension .600 to the Model No., and for primed enclosures use extension .800. Delivery times available on request.



Punched section without mounting flange 45 x 88 mm

The universal configuration solution with 11 rows of holes for heavy equipment and screw-fastening to the frame, Model No. see page 995.

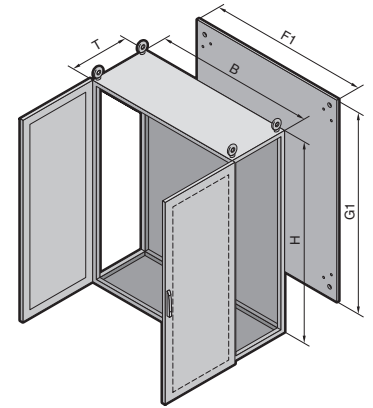
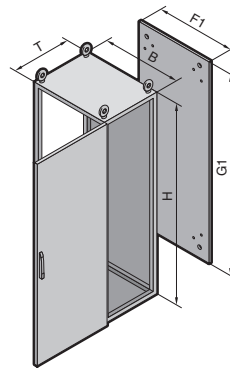


Mounting plate attachment

in conjunction with mounting plate infill, Model No. see page 979.

Baying systems TS 8

Height: 2200, depth: 600



Material:

Sheet steel
Enclosure frame, roof, rear panel and gland plates: 1.5 mm
Door: 2.0 mm
Mounting plate: 3.0 mm

Surface finish:

Enclosure frame: Dipcoat-primed
Door, roof and rear panel: Dipcoat-primed, powder-coated in textured RAL 7035 on the outside
Mounting plates and gland plates: Zinc-plated

Protection category:

IP 55 to EN 60 529/09.2000, complies with NEMA 12.

Supply includes:

Enclosure frame with doors, mounting plate, gland plates, rear panel and roof plate.



Accessories:

Corner enclosures, see page 933.

Approvals, see page 30.

Detailed drawing/nominal dimensions, see page 1184 – 1185.

Baying systems TS 8 1.3

Width (B) mm	Packs of	600	800	1200	Page
Height (H) mm		2200	2200	2200	
Depth (T) mm		600	600	600	
Mounting plate width (F1) mm		499	699	1099	
Mounting plate height (G1) mm		2096	2096	2096	
Model No. TS	1	8626.500	8826.500	8226.500	
Door(s)		1	1	2	
Weight (kg)		113.1	139.3	208.0	

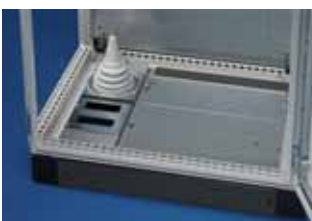
Walls					
Side panels	2	8126.235	8126.235	8126.235	917
Divider panel	1	8609.260	8609.260	8609.260	921

Base/plinth						
Components front and rear	Height 100 mm	1 set	8601.600	8601.800	8601.200	893
	Height 200 mm	1 set	8602.600	8602.800	8602.200	893
Trim panels (sides)	Height 100 mm	1 set	8601.060	8601.060	8601.060	893
	Height 200 mm	1 set	8602.060	8602.060	8602.060	893

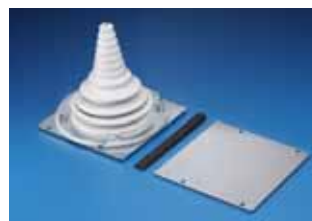
Accessories					
Cable clamp rails for cable clamps	2	4191.000	4192.000	4196.000	1061
Cable clamp rails (C section) for cable clamps	6	4944.000	4945.000	4947.000	999
Support strips for door	20	4596.000	4598.000	4596.000	964
Wiring plan pocket, sheet steel	1	4116.000	4118.000	4116.000	967

Lock systems
Standard double-bit lock insert may be exchanged for lock inserts, type F, see page 956, and comfort handle, see page 947 – 948.

To order enclosures in textured RAL 7032 please add extension .600 to the Model No., and for primed enclosures use extension .800. Delivery times available on request.



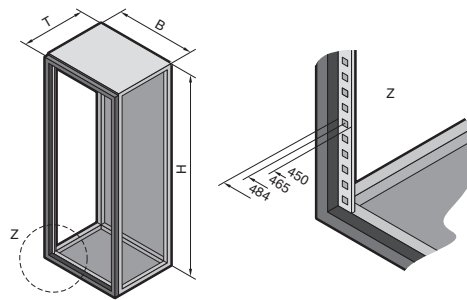
Gland plate with sealing bar
for sub-dividing the base assembly for varying cable entry, Model No. see page 912.



Module plate with cable sleeves
for cable diameters 10 – 65 mm, Model No. see page 924.

Baying systems TS 8

Electronic enclosure



Material:

Enclosure frame:
Sheet steel, 1.5 mm
Front frame:
Extruded aluminium sections
with die-cast corner pieces
Rear door: 2 mm sheet steel
Roof and gland plates:
1.5 mm sheet steel
Adaptor sections: Aluminium

Surface finish:

Enclosure frame:
Dipcoat-primed
Front frame, rear door and roof:
Powder-coated in RAL 7035
Gland plates: Zinc-plated

Supply includes:

Enclosure frame, front frame
(r/h hinge, opening angle 130°,
held via mechanical snap fasteners on left),
rear door (r/h hinge, may be
swapped to opposite side), roof,
adaptor sections and gland
plates.

Approvals,

see page 31.

**Detailed drawing/nominal
dimensions,**
see page 1186.

U	Packs of	33	33	42	42	Page
Width (B) mm		600	600	600	600	
Height (H) mm		1600	1600	2000	2000	
Depth (T) mm		600	800	600	800	
Model No. TS	1	8410.510	8418.510	8430.510	8438.510	
Door(s)		1	1	1	1	
Base/plinth						
Components front and rear	Height 100 mm	1 set	8601.600	8601.600	8601.600	893
	Height 200 mm	1 set	8602.600	8602.600	8602.600	893
Trim panels (sides)	Height 100 mm	1 set	8601.060	8601.080	8601.060	893
	Height 200 mm	1 set	8602.060	8602.080	8602.060	893
Accessories						
Side panels	2	8166.235	8168.235	8106.235	8108.235	917
Cable clamp rails for cable clamps	2	4191.000	4191.000	4191.000	4191.000	1061
Cable clamp rails (C section) for cable clamps	6	4944.000	4944.000	4944.000	4944.000	999
Adaptor sections for rear	2	8613.360	8613.360	8613.300	8613.300	1090
Lock systems						

Standard double-bit lock insert (in rear door) may be exchanged for lock inserts, type F, see page 956, and comfort handle, see page 947 – 948.

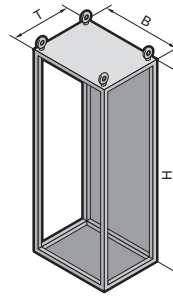
For primed enclosures, please add extension .810 to the Model No. Delivery times available on request.



Slide rails,
Model No. see page 1097.



Aluminium cross rail,
for sub-division of the front,
Model No. see page 1090.



The basic enclosures without

- Mounting plate for universal interior installation with
 - Partial mounting plates
 - Component shelves and drawers
 - Punched sections and rails
- Doors
 - Frame for the installation of
 - Partial doors with and without viewing panels
 - Fully glazed doors
 - Drawers and desk sections
 - Profile blanking frame
 - Vertically divided doors
 - Trim panels hinged at the top

Material:

Sheet steel
Enclosure frame, roof, rear panel and gland plates: 1.5 mm

Surface finish:

Enclosure frame:
Dipcoat-primed
Door and rear panel:
Dipcoat-primed, powder-coated in textured RAL 7035 on the outside
Gland plates: Zinc-plated

Supply includes:

Enclosure frame, roof, rear panel, gland plates, three-piece.

Detailed drawing

(TS basic enclosures without door), see page 1186.

Width (B) mm	Packs of	600	800	Page	
Height (H) mm		2000	2000		
Depth (T) mm		600	600		
Model No. TS	1	8606.512	8806.512		
Weight (kg)		52.5	63.0		
Walls					
Side panels	2	8106.512	8106.512	942	
Divider panel	1	8609.060	8609.060	921	
Divider panel for module plates	1	8609.130	8609.130	922	
Base/plinth					
Components front and rear	Height 100 mm	1 set	8601.600	8601.800	893
	Height 200 mm	1 set	8602.600	8602.800	893
Trim panels (sides)	Height 100 mm	1 set	8601.060	8601.060	893
	Height 200 mm	1 set	8602.060	8602.060	893

To order enclosures in textured RAL 7032 please add extension .612 to the Model No., and for primed enclosures use extension .812. Delivery times available on request.



Trim panels TS

For height trim at the top and bottom,
Model No. see page 941.

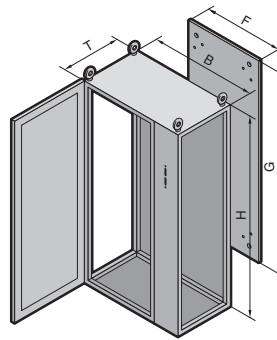


Protective bar and holder,

Model No. see page 938.

Baying systems TS 8

For isolator door locking



1 Baying systems TS 8

Material:

Sheet steel
Enclosure frame, roof, rear panel and gland plates: 1.5 mm
Door and trim panel: 2.0 mm
Mounting plate: 3.0 mm

Surface finish:

Enclosure frame: Dipcoat-primed
Door, trim panel, roof and rear panel: Dipcoat-primed, powder-coated in textured RAL 7035 on the outside
Mounting plates and gland plates: Zinc-plated

Protection category:

IP 55 to EN 60 529/09.2000
Complies with NEMA 12 (with fitted/sealed isolator switch actuation)

Supply includes:

Enclosure frame, door (l/h hinge), trim panel (r/h hinge, with a swing lever at the top and bottom, with cut-out for isolator switch actuation), roof, rear panel, mounting plate, three-piece gland plates.



Rittal service:

Enclosures with 100 mm (instead of 200 mm) wide trim panel on request.

Approvals, see page 31.

Detailed drawing/nominal dimensions, see page 1187.

	Packs of	800	800	800	800	Page
Width (B) mm						
Height (H) mm		1800	1800	2000	2000	
Depth (T) mm		400	500	500	600	
Mounting plate width (F) mm		699	699	699	699	
Mounting plate height (G) mm		1696	1696	1896	1896	
Model No. TS	1	8984.500	8985.500	8905.500	8906.500	
Door(s)		1	1	1	1	
Weight (kg)		113.5	115.8	126.3	130.5	

Base/plinth

Components front and rear	Height 100 mm	1 set	8601.800	8601.800	8601.800	8601.800	893
	Height 200 mm	1 set	8602.800	8602.800	8602.800	8602.800	893
Trim panels (sides)	Height 100 mm	1 set	8601.040	8601.050	8601.050	8601.060	893
	Height 200 mm	1 set	8602.040	8602.050	8602.050	8602.060	893

Also required

Door latch for bayed suites						960
-----------------------------	--	--	--	--	--	-----

Accessories

Isolator door locking (USA version)	1	8611.310	8611.310	8611.310	8611.310	960
-------------------------------------	---	----------	----------	----------	----------	-----

Lock systems

Standard double-bit lock insert may be exchanged for lock inserts, type F, see page 956, and comfort handle, see page 947 – 948.

To order enclosures in RAL 7032 please add extension .600 to the Model No., and for primed enclosures use extension .800. Delivery times available on request.



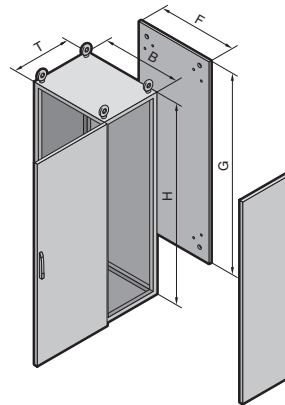
Cable gland

Cable glands made from polyamide or brass, Model No. see page 1054.



Snap-on nut

for screw-fastening to the vertical section, Model No. see page 1005.



Material:

NEMA 4x:
Stainless steel 1.4301 (AISI 304)

NEMA 4:
Sheet steel, spray-finished

Enclosure frame, roof, base/
plinth, rear panel, side panels:
1.5 mm

Door: 2.0 mm

Mounting plate:
3.0 mm (sheet steel)

Surface finish:

NEMA 4x:
Enclosure frame: Uncoated
Door, roof, base, rear panel,
side panels: Brushed on the
outside, grain size 400
Mounting plate: Zinc-plated

NEMA 4:
Enclosure frame, door, roof,
base, rear panel, side panels:
Dipcoat-primed
and powder-coated in textured
RAL 7035 on the outside
Mounting plate: Zinc-plated

Protection category:

IP 66 to EN 60 529/09.2000
(complies with NEMA 4x/
NEMA 4)

Supply includes:

NEMA 4x/NEMA 4:
Enclosure frame with door,
roof/base plate, rear panel,
side panels, mounting plate.



Rittal service:

Enclosures with depth 800 mm
on request.

Approvals,
see page 31.

	Packs of	NEMA 4x, stainless steel				NEMA 4, sheet steel				Page
Width (B) mm		600	800	600	800	600	800	600	800	
Height (H) mm		1800	1800	2000	2000	1800	1800	2000	2000	
Depth (T) mm		600	600	600	600	600	600	600	600	
Mounting plate width (F) mm		499	699	499	699	499	699	499	699	
Mounting plate height (G) mm		1696	1696	1896	1896	1696	1696	1896	1896	
Model No. TS	1	8458.640	8459.640	8452.640	8450.640	8686.540	8886.540	8606.540	8806.540	
Door(s)		1	1	1	1	1	1	1	1	

Base/plinth											
Components front and rear	Height 100 mm	1 set	8701.600	8701.800	8701.600	8701.800	8601.600	8601.800	8601.600	8601.800	893, 899
	Height 200 mm	1 set	8702.600	8702.800	8702.600	8702.800	8602.600	8602.800	8602.600	8602.800	893, 899
Trim panels (sides)	Height 100 mm	1 set	8701.060	8701.060	8701.060	8701.060	8601.060	8601.060	8601.060	8601.060	893, 899
	Height 200 mm	1 set	8702.060	8702.060	8702.060	8702.060	8602.060	8602.060	8602.060	8602.060	893, 899
Base/plinth trim, modular SO		4	2913.000	2913.000	2913.000	2913.000	-	-	-	-	899

Accessories											
Cable clamp rails		2	4191.000	4192.000	4191.000	4192.000	4191.000	4192.000	4191.000	4192.000	1061
System support rails		2	4361.000	4362.000	4361.000	4362.000	4361.000	4362.000	4361.000	4362.000	1000
Support strips for door		20	4596.000	4598.000	4596.000	4598.000	4596.000	4598.000	4596.000	4598.000	964
Wiring plan pocket, sheet steel		1	4116.000	4118.000	4116.000	4118.000	4116.000	4118.000	4116.000	4118.000	967

Lock systems
Standard double-bit lock insert may be exchanged for lock inserts, type F, see page 956, and comfort handle, see page 947 – 948.

Delivery times available on request.



Cable glands IP 68

Cable glands made from
polyamide or brass,
Model No. see page 1054.

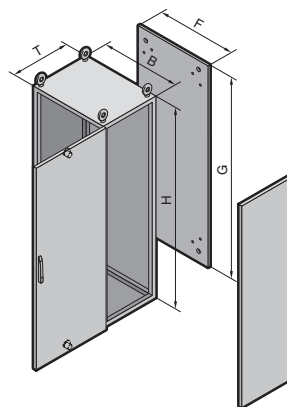


Punched rail

25 x 38 mm,
Model No. see page 996.

Baying systems TS 8

Prepared for EX pressurisation



With this empty enclosure and an external overpressure controller such as those offered by STAHL, Bartec or Gönzheimer, conventional operating materials may be used in explosion hazard areas. To this end, a permanent overpressure is applied to the enclosure which prevents the ingress of potentially explosive atmospheres. Empty enclosure, prepared for pressurisation, ensures efficient operation thanks to low leakage rates of approximately 20 l/min, at 2 mbar overpressure. Ex overpressure enclosures must be constructed and operated in conformity with standards DIN EN 60 079-0 and DIN EN 60 079-2.

For populated enclosures of protection type "p", in accordance with Directive 94/9 EC, type testing certification from a designated office is required.

Design:

- Base as for roof
- Reinforced:
 - Rear panel
 - Side panels
 - Door with additional cams top and bottom, r/h hinge, l/h hinge on request

Surface finish:

Sheet steel:
 Enclosure frame: Dipcoat-primed door, roof, base, side panels and rear panel: Dipcoat-primed, powder-coated in textured RAL 7035 on the outside
 Mounting plate: Zinc-plated

Stainless steel:
 Enclosure frame: Uncoated
 Door, side panels, roof, base/plinth, and rear panel: Brushed, grain size 400
 Mounting plate: Zinc-plated

Protection category:

IP 55 to EN 60 529/09.2000 complies with NEMA 12

Supply includes:

Enclosure frame with door (with additional cam top and bottom), roof/base plate, rear panel, side panels, mounting plate.



Rittal service:

Enclosures for baying available on request.

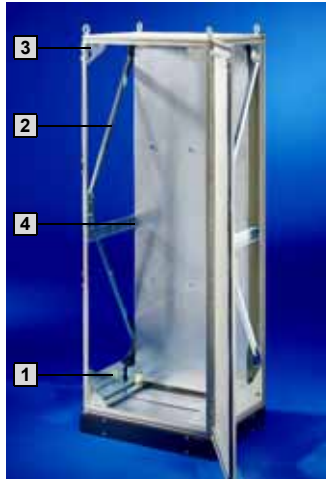
Width (B) mm	600	800	600	800	600	800	1000	600	800	600	–
Height (H) mm	1400	1400	1600	1600	1800	1800	1800	1800	1800	1800	–
Depth (T) mm	500	500	500	500	400	400	400	500	500	600	–
Mounting plate width (F) mm	499	699	499	699	499	699	899	499	699	499	–
Mounting plate height (G) mm	1296	1296	1496	1496	1696	1696	1696	1696	1696	1696	–
Model No. TS sheet steel	8645.560	8845.560	8665.560	8865.560	8684.560	8884.560	8084.560	8685.560	8885.560	8686.560	–

Width (B) mm	800	600	800	600	800	600	800	600	800	600	800
Height (H) mm	1800	2000	2000	2000	2000	2000	2000	2000	2000	2200	2200
Depth (T) mm	600	400	400	500	500	600	600	800	800	600	600
Mounting plate width (F) mm	699	499	699	499	699	499	699	499	699	499	699
Mounting plate height (G) mm	1696	1896	1896	1896	1896	1896	1896	1896	1896	2096	2096
Model No. TS sheet steel	8886.560	8604.560	8804.560	8605.560	8805.560	8606.560	8806.560	8608.560	8808.560	8626.560	8826.560

Width (B) mm	800	1000	600	800	600	600	800	800	–	–	–
Height (H) mm	1800	1800	1800	1800	1800	2000	2000	2000	–	–	–
Depth (T) mm	400	400	500	500	600	600	600	800	–	–	–
Mounting plate width (F) mm	699	899	499	699	499	499	699	699	–	–	–
Mounting plate height (G) mm	1696	1696	1696	1696	1696	1896	1896	1896	–	–	–
Model No. TS stainless steel	8454.660	8461.660	8457.660	8455.660	8458.660	8452.660	8450.660	8460.660	–	–	–

Delivery times available on request.

For areas at risk from earthquakes



TS 8 for earthquake zone 1, 2 and 3 to Bellcore

TS 8806.500:
W x H x D 800 x 2000 x 600 mm

With base/plinth (base/plinth components front and rear and base/plinth trim, side, see page 893), 100 mm high with a weight load of 125 kg spread evenly over the mounting plate.

Note:

These versions have been tested and meet the requirements to Telcordia GR 63-CORE. They should be seen as a comparative variable to the customer's own plant, since the certification of empty enclosures is not possible.

TS 8 for earthquake zone 4 to Bellcore

TS 8806.500:
W x H x D 800 x 2000 x 600 mm

Fitted with:

- Earthquake kit and
- Earthquake base/plinth, see page 153,

with weight load of 450 kg distributed evenly over the mounting plate.



Rittal service:

- Mounting on the enclosure on request.



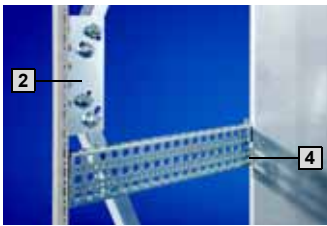
Earthquake kit

Material:
Sheet steel

Surface finish:
Zinc-plated, passivated

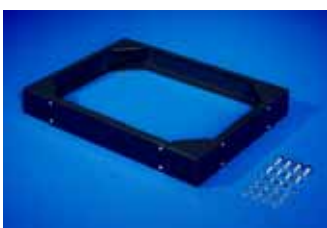
Supply includes:

- 1 2 side reinforcements, bottom
- 2 2 bracing struts each, sides
- 3 8 gusset plates
- 4 Mounting plate attachment and reinforcement including assembly parts



For enclosures W x H x D mm	Packs of	Model No. TS
800 x 2000 x 600	1	8613.860
600 x 2000 x 600	1	8613.660¹⁾
600 x 2000 x 400	1	8613.640¹⁾

¹⁾ Delivery times available on request.



Earthquake base/plinth

Height 100 mm

Material:
Sheet steel
Corner pieces: 5 mm
Trim panels: 2 mm

Surface finish:
Powder-coated in RAL 7022

Supply includes:

- 1 set =
- 4 corner pieces
 - 2 depth stays
 - 1 trim panel each front and rear fully assembled.

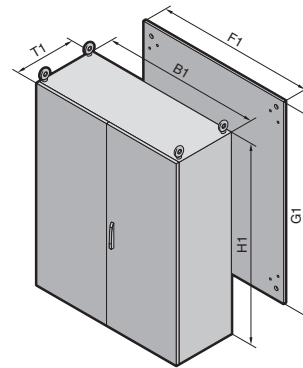
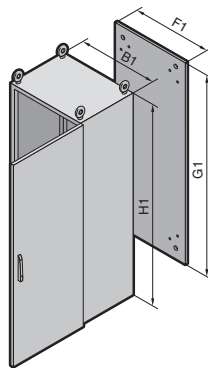


For enclosures W x D mm	Packs of	Model No. TS
800 x 600	1	8601.860
600 x 600	1	8601.660¹⁾
600 x 400	1	8601.640¹⁾

¹⁾ Delivery times available on request.

Free-standing enclosure ES 5000

Width: 600 – 1000



Material:

Sheet steel
Enclosure: 1.8 mm
Door: 2.0 mm
Rear panel and gland plates:
1.5 mm
Mounting plate: 3.0 mm

Surface finish:

Enclosure, door and rear panel:
Dipcoat-primed, powder-coated
in textured RAL 7035 on the
outside
Mounting plates and gland
plates: Zinc-plated

Protection category:

IP 56 to EN 60 529/09.2000,
IP 55 to EN 60 529/09.2000
for ES 5080.500,
complies with NEMA 12.

Supply includes:

Enclosure with door(s), r/h door
hinge, can be changed to oppo-
site side (except 5080.500),
mounting plate, gland plates
and rear panel, detachable,
2 eyebolts unfitted
(ES 5080.500, ES 5084.500:
4 eyebolts, fitted).

Approvals,

see page 32.

Detailed drawing/nominal dimensions,

see page 1188 – 1189.

Width (B1) mm	Packs of	600	800	600	800	1000	1000	600	800	Page
Height (H1) mm		1600	1600	1800	1800	1800	1800	2000	2000	
Depth (T1) mm		500	500	400	400	400	400	500	500	
Mounting plate width (F1) mm		499	699	499	699	899	899	499	699	
Mounting plate height (G1) mm		1496	1496	1696	1696	1696	1696	1896	1896	
Model No. ES	1	5665.500	5865.500	5684.500	5884.500	5084.500	5080.500	5605.500	5805.500	
Door(s)		1	1	1	1	1	2	1	1	
Weight (kg)		102.5	124.5	104.5	125.0	147.0	148.0	124.0	151.5	

Accessories

Accessories	Quantity	600	800	600	800	1000	1000	600	800	Page	
Base/plinth	Height 100 mm	1	2807.200	2829.200	2804.200	2823.200	2909.200	2909.200	2807.200	2829.200	901
	Height 200 mm	1	2808.200	2830.200	2805.200	2824.200	2910.200	2910.200	2808.200	2830.200	901
Cable clamp rails for cable clamps	2	4191.000	4192.000	4191.000	4192.000	4336.000	4336.000	4191.000	4192.000	1061	
Cable clamp rail (C section) for cable clamps	6	4944.000	4945.000	4944.000	4945.000	4946.000	4946.000	4944.000	4945.000	999	
Support strips for door	20	4596.000	4598.000	4596.000	4598.000	4599.000	4599.000	4596.000	4598.000	964	
Wiring plan pocket, sheet steel	1	4116.X00	4118.X00	4116.X00	4118.X00	4115.X00	4115.X00	4116.X00	4118.X00	967	

Lock systems

Standard double-bit lock insert may be exchanged for lock inserts 27 mm, type A, see page 956 and for lock system Ergoform-S, see page 953.

To order enclosures in textured RAL 7032 please add extension .600 to the Model No., and for primed enclosures use extension .800.
Delivery times available on request.



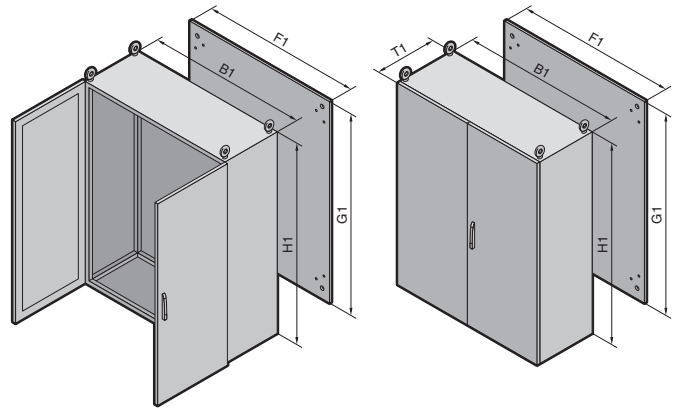
**Fold-out tray for keyboard
and mouse,**
Model No. see page 1139.



**Transport handles for
mounting plates and doors,**
Model No. see page 983/967.

Free-standing enclosure ES 5000

Width: 1200 – 1800



Material:

Sheet steel
Enclosure: 1.8 mm
Double door: 2.0 mm
Rear panel and gland plates: 1.5 mm
Mounting plate: 3.0 mm

Surface finish:

Enclosure, double door and rear panel: Dipcoat-primed, powder-coated in textured RAL 7035 on the outside
Mounting plates and gland plates: Zinc-plated

Protection category:

IP 55 to EN 60 529/09.2000, complies with NEMA 12.

Supply includes:

Enclosure with doors, mounting plate, gland plates and rear panel (ES 5784.500, ES 5905.500 two-piece), detachable, 4 eyebolts, fitted.

Approvals,
see page 32.

Detailed drawing/nominal dimensions,
see page 1188 – 1189.

Free-standing enclosure ES 5000 **B** 1.3

Width (B1) mm	Packs of	1200	1200	1600	1200	1800	Page
Height (H1) mm		1600	1800	1800	2000	2000	
Depth (T1) mm		500	400	400	500	500	
Mounting plate width (F1) mm		1099	1099	1499	1099	1699	
Mounting plate height (G1) mm		1496	1696	1696	1896	1896	
Model No. ES	1	5265.500	5284.500	5784.500	5205.500	5905.500	
Doors		2	2	2	2	2	
Weight (kg)		175.5	180.0	222.0	210.0	300.0	

Accessories

Base/plinth	Height 100 mm	1	2839.200	2836.200	2905.200	2839.200	2903.200	901
	Height 200 mm	1	2840.200	2837.200	2906.200	2840.200	2904.200	901
Cable clamp rails for cable clamps		2	4196.000	4196.001	4338.000	4196.000	4339.000	1061
Cable clamp rail (C section) for cable clamps		6	4947.000	4947.000	-	4947.000	-	999
Support strips for door		20	4596.000	4596.000	4598.000	4596.000	4579.000	964
Wiring plan pocket, sheet steel		1	4116.X00	4116.X00	4118.X00	4116.X00	4123.X00	967

Lock systems

Standard double-bit lock insert may be exchanged for lock inserts 27 mm, type A, see page 956 and for lock system Ergoform-S, see page 953.

To order enclosures in textured RAL 7032 please add extension .600 to the Model No., and for primed enclosures use extension .800. Delivery times available on request.



Cable duct, horizontal,
Model No. see page 1060.



System window
to protect against unauthorised access and preserve the protection category,
Model No. see page 943.