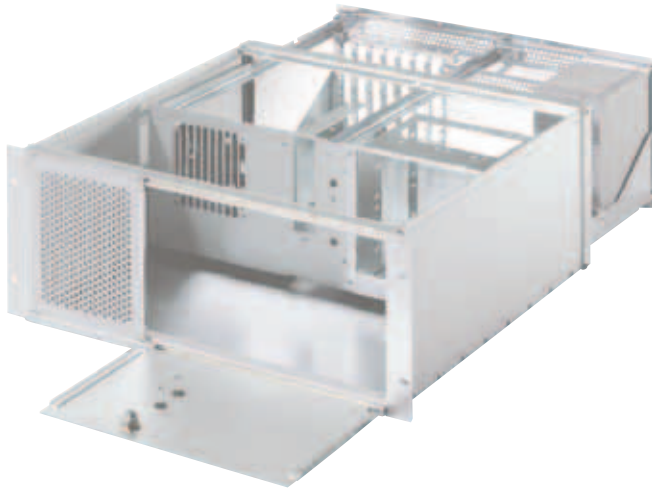


# Rack-mount systems for industrial PCs

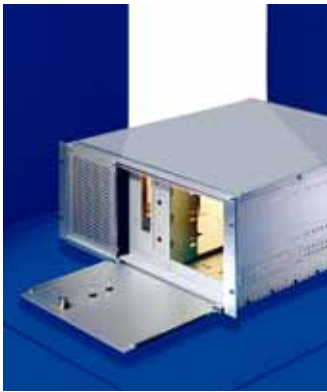
## Features



We offer an extensive range of products for industrial PCs to the ATX standard, from 482.6 mm (19") rack-mount version in 4 U, through to solutions for direct mounting on mounting plates.

Shown opposite is an aluminium version with pull-out inner housing and integrated electronics for automatic restart following a mains failure.

3 3  
Rack-mount systems for industrial PCs



### ATX Ripac, aluminium



**The top-of-the-range model** with outstanding maintenance-friendliness: The inner housing can be pulled out like a drawer.



**Enclosure body** of clear-chromated aluminium, conductive.



**Horizontally hinged, lockable front panel** offers rapid access to drives and control components, as well as protecting against unauthorised access.



**EMC gaskets** – for unused slot covers – and conductive attachment of the motherboard.



**Option of externally mounting** 3 x 5 1/4" and 1 x 3 1/2" drives for internal installation. Drive covers (accessory) for unused positions.



**Integral electronics** for automatic restart following a mains failure.

### ATX 4 U, sheet steel



**Lockable front panel** protects against unauthorised access.



**Slide rail mounting** with no loss of height, due to reduced side panel height.



**Unpainted contact points** ensure reliable contact.

### AT/ATX (Vario) Economy with front door



**ATX Economy:** Fully assembled and prewired.  
**AT/ATX Vario Economy:** The basic case for individual installation and self-assembly.



**Enclosure made from sheet steel** zinc-plated/spray-finished, for demanding requirements in terms of stability and safety.



**Easy removal** of the drive module for external population.

### ATX with front connections



**As a 482.6 mm (19") version** for mounting in the enclosure, or for mounting directly onto the mounting plate.



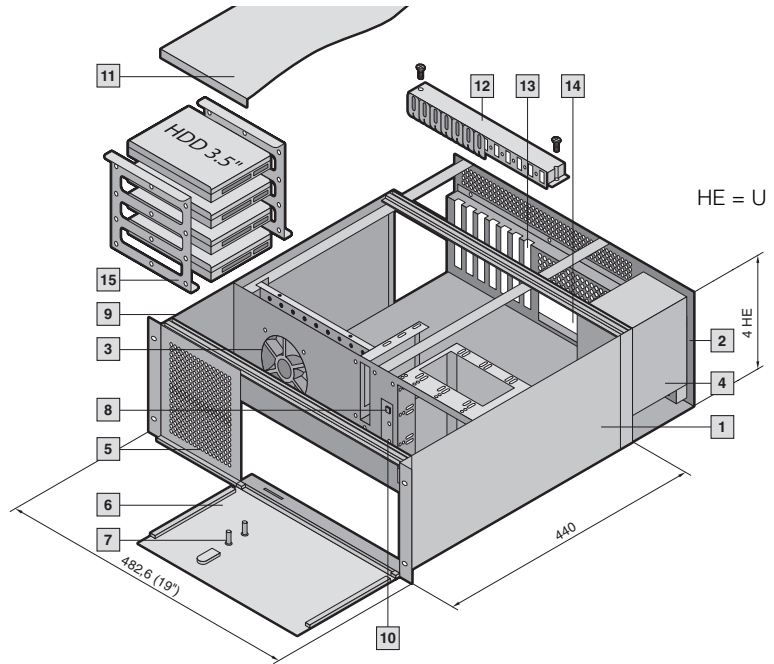
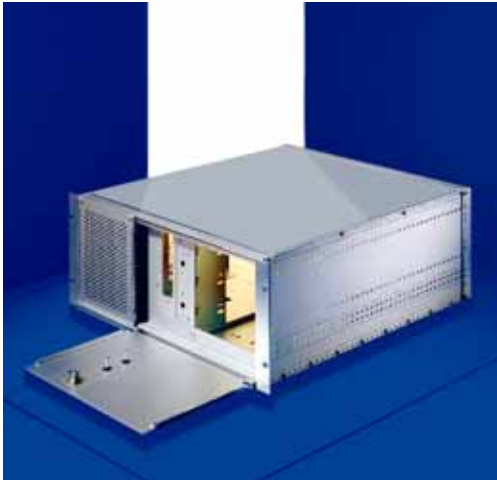
**I/O connections at the front** guarantee access from the front and flexibility, e.g. with minimal space available for connections to other systems.



**Rear panel with cut-out** for PS/2 power pack.

# Rack-mount systems for industrial PCs

## ATX Ripac 4 U, aluminium



**Technical specifications:**  
482.6 mm (19") rack-mount system for the installation of ATX/Mini-ATX or Micro-ATX boards and 3 x 5 1/4" and 1 x 3 1/2" drives.  
Width: 482.6 mm (19")  
Height: 4 U (177.0 mm)  
Total depth: 440 mm  
EMC prepared.

**Material/surface finish:**  
Side panels, front panels: Aluminium, clear-chromated  
Covers: 1.0 mm aluminium, clear-chromated  
PC internal cassette: Sheet steel, zinc-plated, passivated

**Standards:**  
Complies with IEC 60 297-3 and ATX specification 2.01

**Special designs available on request.**

**Supply includes:**

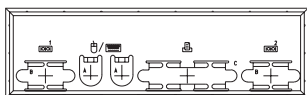
- 1 Rack-mount system 4 U, including drive holder
- 2 PC cassette
- 3 1 fan 120 mm with filter
- 4 ATX power pack 300 W (Technical specifications, see RP 3688.129, page 545)
- 5 Front door, horizontally hinged
- 6 Front door, horizontally hinged, lockable
- 7 LED displays
- 8 Reset button
- 9 EMC gaskets, all round
- 10 ON/OFF switch with electronics for automatic restart following a mains failure (activation/deactivation of the electronics via jumper)
- 11 Cover

	Packs of		Page
<b>U</b>		<b>4</b>	
<b>Width</b> mm		482.6 (19")	
<b>Height</b> mm		177.0	
<b>Depth</b> mm		440.0	
<b>Model No. RP basic system fully assembled</b>	1	<b>3659.000</b>	
<b>Accessories</b>			
12 Card retainer	7	3659.010	539
Mounting bar for card retainer	1	3659.090	539
13 Unused slot cover	5	3659.030	538
Cover for 5 1/4" drive space	1	3659.050	538
15 Drive support	1 set	3659.060	538
Spare filter mat	1	<b>3659.070</b>	-
Uninterruptible power supply Output: 300 VA/180 W	1	3659.080	544
<b>14 ATX I/O covers, sheet steel<sup>1)</sup></b>			
Type "Aurora Marl"	1	<b>3659.040</b>	-
Type "Tucson"/"Venus"	1	<b>3659.130</b>	-
Type "Providence"	1	<b>3659.140</b>	-

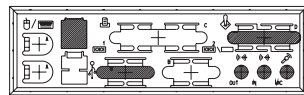
<sup>1)</sup> Other versions available on request; please specify the type of mainboard.

**ATX I/O covers:**

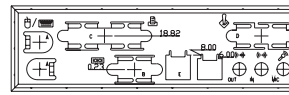
**Type "Aurora Marl"**



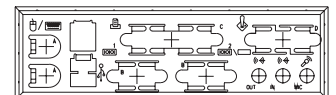
**Type "Venus"**



**Type "Providence"**

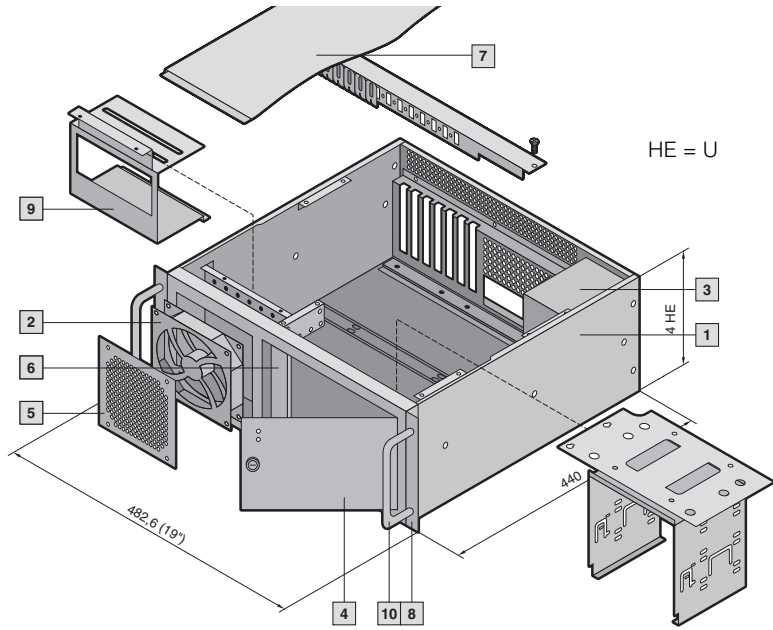


**Type "Tucson"**



# Rack-mount systems for industrial PCs

## ATX 4 U, sheet steel



### Technical specifications:

482.6 mm (19") rack-mount system for the installation of ATX/Mini-ATX or Micro-ATX boards and 3 x 5 1/4" and 1 x 3 1/2" drives.

Width: 482.6 mm (19")

Height: 4 U (177.0 mm)

Side panels: 174.0 mm

Total depth: 442.5 mm

Suitable for mounting on slide rails.

### Material/surface finish:

Case, covers, front panels: 1.2 mm sheet steel, spray-finished in RAL 7035, unpainted contact points

### Standards:

Complies with IEC 60 297-3 and ATX specification 2.01

**Special designs available on request.**

### Supply includes:

- 1 Rack-mount system 4 U, including drive holder
- 2 1 x 120 mm fan and filter mat, exchangeable from the front
- 3 ATX power pack 300 W (Technical specifications, see RP 3688.129, page 545)
- 4 Front door, vertically hinged, lockable

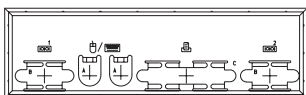
- 5 Front panel with ventilation holes and filter mat
- 6 LED displays, speakers, Reset switch, on/off switch
- 7 Cover
- 8 Two 482.6 mm (19") flanges
- 9 Drive holder for 4 x 3 1/2" hard drives

	Packs of		Page
<b>U</b>		<b>4</b>	
<b>Width</b> mm		482.6 (19")	
<b>Height</b> of flanges/side panels, mm		177.0/174.0	
<b>Depth</b> mm		442.5/440.0	
<b>Model No. RP basic system fully assembled</b>	1	<b>3659.900</b>	
<b>Accessories</b>			
Card retainer	7	3659.010	539
Mounting bar for card retainer	1	3659.090	539
Unused slot cover	5	3659.030	538
Cover for 5 1/4" drive space	1	3659.110	538
Cover for 3 1/2" drive space	1	3659.410	538
Uninterruptible power supply	1	3659.080	544
Telescopic slides for 600 mm enclosure depth	1 set	3659.180	538
Telescopic slides for 800 mm enclosure depth	1 set	3659.190	538
10 Front handles for ATX 4 U	2	3659.240	538
<b>ATX I/O covers, sheet steel<sup>1)</sup></b>			
Type "Aurora Marl"	1	<b>3659.040</b>	-
Type "Tucson"/"Venus"	1	<b>3659.130</b>	-
Type "Providence"	1	<b>3659.140</b>	-

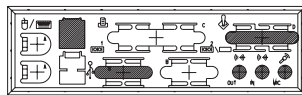
<sup>1)</sup> Other versions available on request; please specify the type of mainboard.

### ATX I/O covers:

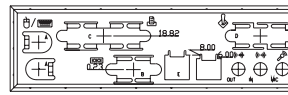
#### Type "Aurora Marl"



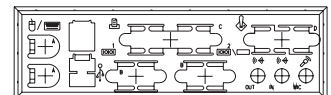
#### Type "Venus"



#### Type "Providence"

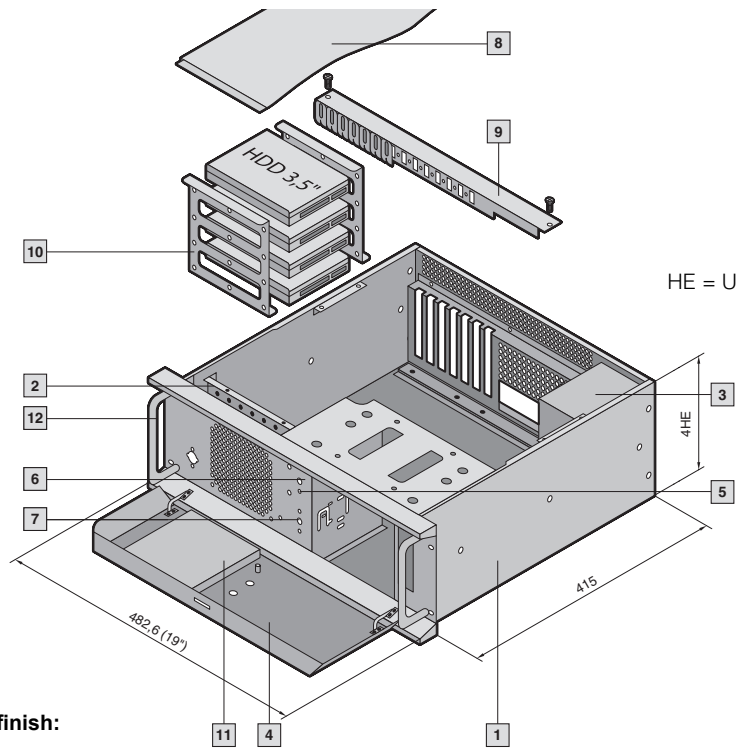
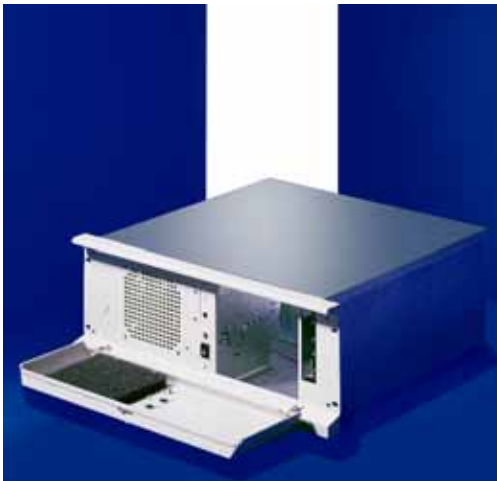


#### Type "Tucson"



# Rack-mount systems for industrial PCs

## ATX Economy with front door, 4 U, sheet steel



**Technical specifications:**  
 482.6 mm (19") rack-mount system for the installation of ATX/Mini-ATX or Micro-ATX boards and 3 x 5 1/4" and 1 x 3 1/2" drives.  
 Width: 482.6 mm (19")  
 Height: 4 U (177.0 mm)  
 Total depth: 430 mm  
 EMC prepared.

**Material/surface finish:**  
 Case, cover: 1.2 mm sheet steel, zinc-plated, passivated  
 Front door: 1.2 mm sheet steel, spray-finished in RAL 7035, unpainted contact points

**Standards:**  
 Complies with IEC 60 297-3 and ATX specification 2.01

**Special designs available on request.**

**Supply includes:**

- 1 Rack-mount system 4 U, including drive holder
- 2 1 x 120 mm fans and filter mat
- 3 ATX power pack 300 W (Technical specifications, see RP 3688.121, page 545)

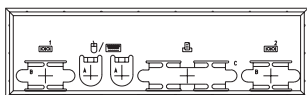
- 4 Front door, horizontally hinged, lockable
- 5 LED displays, speakers
- 6 Reset button
- 7 On/off switch
- 8 Cover

	Packs of		Page
<b>U</b>		<b>4</b>	
<b>Width</b> mm		482.6 (19")	
<b>Height</b> of flanges/side panels, mm		177.0/174.0	
<b>Depth</b> mm		430.0/415.0	
<b>Model No. RP basic system fully assembled</b>	1	<b>3659.100</b>	
<b>Accessories</b>			
9 Card retainer	7	3659.010	539
Mounting bar for card retainer	1	3659.090	539
Unused slot cover	5	3659.030	538
Cover for 5 1/4" drive space	1	3659.110	538
Cover for 3 1/2" drive space	1	3659.410	538
10 Drive holder	1 set	3659.230	538
11 Spare filter mat	1	<b>3659.120</b>	-
Uninterruptible power supply	1	3659.080	544
Telescopic slides for 600 mm enclosure depth	1 set	3659.180	538
Telescopic slides for 800 mm enclosure depth	1 set	3659.190	538
12 Front handles for ATX 4 U	2	3659.240	538
<b>ATX I/O covers, sheet steel<sup>1)</sup></b>			
Type "Aurora Marl"	1	<b>3659.040</b>	-
Type "Tucson"/"Venus"	1	<b>3659.130</b>	-
Type "Providence"	1	<b>3659.140</b>	-

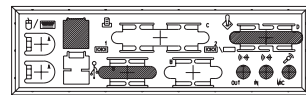
<sup>1)</sup> Other versions available on request; please specify the type of mainboard.

**ATX I/O covers:**

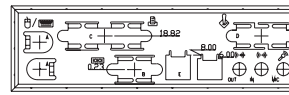
**Type "Aurora Marl"**



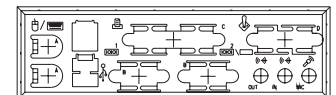
**Type "Venus"**



**Type "Providence"**

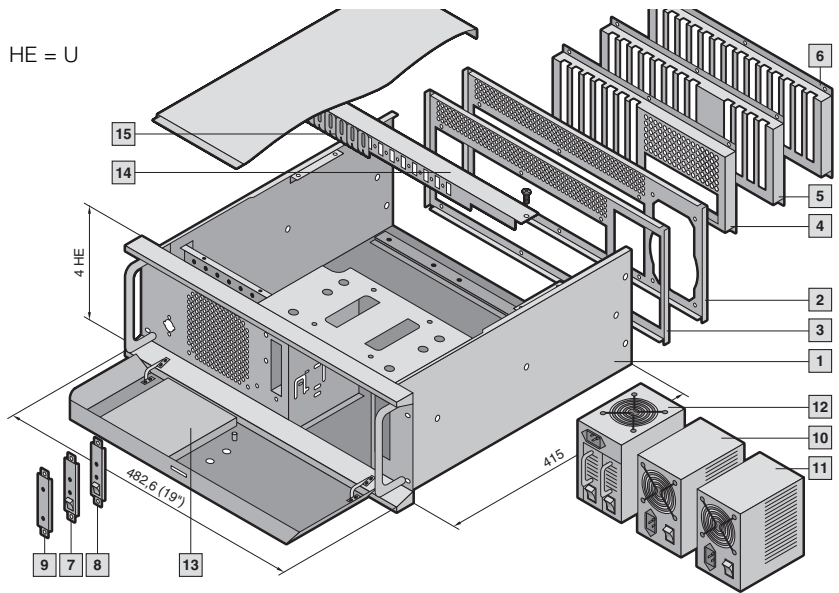
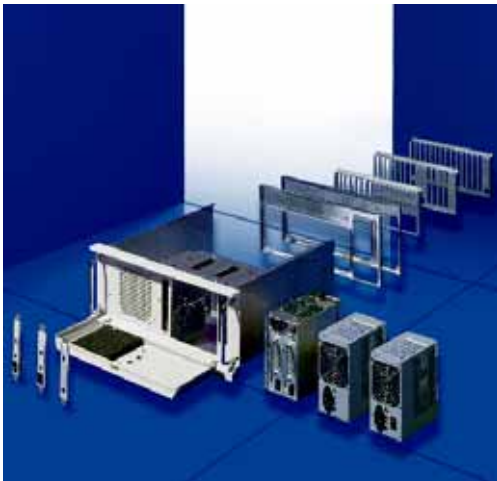


**Type "Tucson"**



# Rack-mount systems for industrial PCs

## Modular system AT/ATX Vario Economy with front door, 4 U, sheet steel



The modular principle of AT/ATX Vario Economy allows installation to accommodate individual requirements. The basic case may be fitted for both AT and ATX applications with the appropriate selection of rear panels, power packs and front trim panels. For self-assembly, or on request fully assembled and wired.

**Technical specifications:**  
 482.6 mm (19'') rack-mount system for the installation of ATX/Mini-ATX, Micro-ATX or Baby AT boards and 3 x 5 1/4'' and 1 x 3 1/2'' drives.  
 Width: 482.6 mm (19'')  
 Height: 4 U (177.0/174.0 mm)  
 Total depth: 430 mm

**Material/surface finish:**  
 Case, cover: 1.2 mm sheet steel, zinc-plated, passivated  
 Front door: 1.2 mm sheet steel, spray-finished in RAL 7035, unpainted contact points

**Standards:**  
 Complies with IEC 60 297-3 and ATX specification 2.01

**Special designs available on request.**

**Basic enclosure supply includes:**

- 1 Case 4 U, 430 mm deep including assembly parts, covers, drive holder, fan, horizontally hinged front door, and air filter.

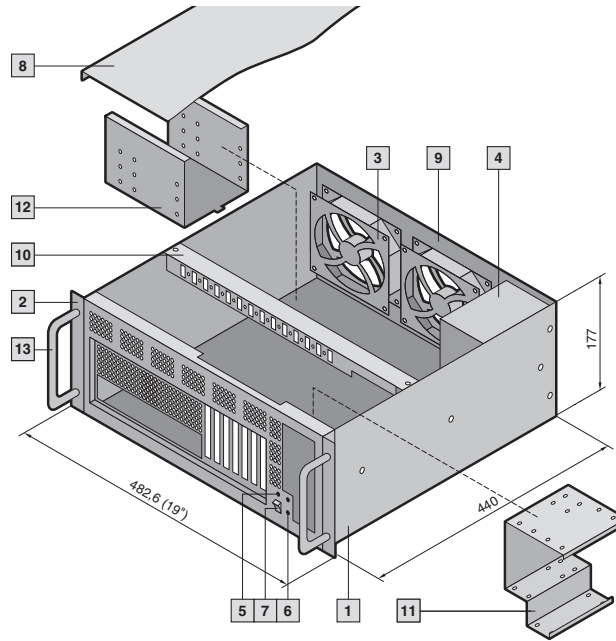
**Note:**  
 Rear panel, front trim panel and power pack should be ordered separately (for self-assembly).

U	Packs of	4						Page
		Installation for AT/ATX power pack (PS/2)			Installation for redundant power pack (PS/2)			
Model No. RP basic enclosure fitted	1	ATX	AT 8 + 4 slots	AT 14 slots	ATX	AT 8 + 4 slots	AT 14 slots	
		<b>3659.400</b>						
<b>Installation, rear</b>								
2	1	3659.290	3659.290	3659.290	-	-	-	539
3	1	-	-	-	3659.310	3659.310	3659.310	539
4	1	3659.320	-	-	3659.320	-	-	539
5	1	-	3659.330	-	-	3659.330	-	539
6	1	-	-	3659.340	-	-	3659.340	539
<b>Installation, front</b>								
7	1	3659.350	-	-	3659.350	-	-	539
8	1	-	3659.360	3659.360	-	3659.360	3659.360	539
9	1	3659.370	-	-	3659.370	-	-	539
<b>Power packs</b>								
10	1	3688.121	-	-	-	-	-	545
	1	3688.129	-	-	-	-	-	545
	1	3688.128	-	-	-	-	-	545
11	1	-	3688.118	3688.118	-	-	-	545
12	1	-	-	-	3688.123	-	-	546
	2	3659.250	3659.250	3659.250	3659.250	3659.250	3659.250	539
13	1	<b>3659.120</b>	<b>3659.120</b>	<b>3659.120</b>	<b>3659.120</b>	<b>3659.120</b>	<b>3659.120</b>	-
<b>Accessories</b>								
14	1	3659.090	3659.090	3659.090	3659.090	3659.090	3659.090	539
15	7	3659.010	3659.010	3659.010	3659.010	3659.010	3659.010	539

Accessories Page 538 Keyboard rack 482.6 mm (19'') Page 1141 TFT display 15'' Page 1141

# Rack-mount systems for industrial PCs

## ATX with front connections for 482.6 mm (19") installation, 4 U



Rack-mount systems for industrial PCs

**Technical specifications:**  
 482.6 mm (19") rack-mount system for the installation of ATX/Mini-ATX or Micro-ATX boards and 1 x 5 1/4" and 1 x 3 1/2" drives.  
 Width: 482.6 mm (19")  
 Height: 4 U  
 Flanges: 177.0 mm  
 Side panels: 174.0 mm  
 Total depth: 442.5 mm  
 Connections for I/Os, front EMC prepared.  
 Suitable for mounting on slide rails.

**Material/surface finish:**  
 Case, covers: 1.2 mm sheet steel, spray-finished in RAL 7035, unpainted contact points

**Standards:**  
 Complies with IEC 60 297-3 and ATX specification 2.01

**Special designs available on request.**

- Supply includes:**
- 1 Rack-mount system 4 U, including drive holder
  - 2 19" flanges
  - 3 2 x 120 mm fans
  - 4 ATX power pack 300 W (Technical specifications, see RP 3688.129, page 545)
  - 5 LED displays
  - 6 Reset button
  - 7 On/off switch

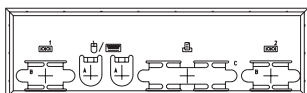
- 8 Cover
- 9 Rear panel with cutout and connection for power pack
- 10 Mounting bar for card retainer
- 11 Drive holder for 1 x 5 1/4" and 1 x 3 1/2"
- 12 Drive holder for 3 x 3 1/2" hard drives

	Packs of		Page
<b>U</b>		<b>4</b>	
<b>Width</b> mm		482.6 mm (19")	
<b>Height</b> of flanges/side panels, mm		177.0/174.0	
<b>Depth</b> mm		442.5/440.0	
<b>Model No. RP basic system fully assembled</b>	1	<b>3659.700</b>	
<b>Accessories</b>			
Card retainer	7	3659.010	539
Unused slot cover	5	3659.030	538
Cover for 5 1/4" drive space	1	3659.110	538
Cover for 3 1/2" drive space	1	3659.410	538
Telescopic slides for 600 mm enclosure depth	1 set	3659.180	538
Telescopic slides for 800 mm enclosure depth	1 set	3659.190	538
13 Front handles for ATX 4 U	2	3659.240	538
<b>ATX I/O covers, sheet steel<sup>1)</sup></b>			
Type "Aurora Marl"	1	<b>3659.040</b>	-
Type "Tucson"/"Venus"	1	<b>3659.130</b>	-
Type "Providence"	1	<b>3659.140</b>	-

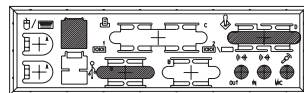
<sup>1)</sup> Other versions available on request; please specify the type of mainboard.

**ATX I/O covers:**

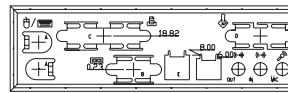
**Type "Aurora Marl"**



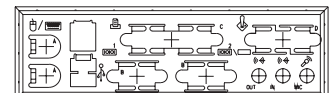
**Type "Venus"**



**Type "Providence"**

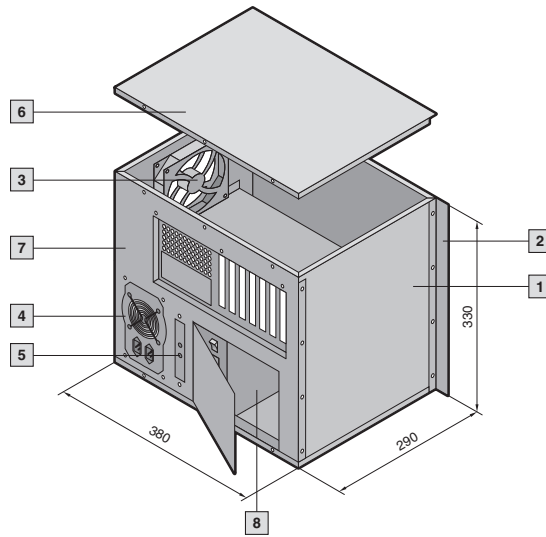


**Type "Tucson"**



# Rack-mount systems for industrial PCs

## ATX with front connections for wall mounting



### Technical specifications:

System for the installation of ATX/Mini-ATX or Micro-ATX boards and 3 x 5 1/4" and 1 x 3 1/2" drives, vertical.  
 Width: 380 mm  
 Height: 330 mm  
 Total depth: 292.5 mm  
 Connections for I/Os, front EMC prepared.  
 Suitable for mounting on mounting plates.

### Material/surface finish:

Case, covers: 1.2 mm sheet steel, zinc-plated, passivated, unpainted, unpainted contact points

### Standards:

Complies with IEC 60 297-3 and ATX specification 2.01

### Special designs available on request.

### Supply includes:

- 1 Rack-mount system, including drive holder
- 2 Flanges for wall mounting
- 3 1 x 120 mm fan
- 4 ATX power pack 300 W (Technical specifications, see RP 3688.129, page 545)
- 5 LED displays

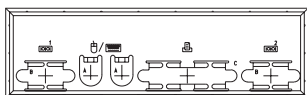
- 6 Cover
- 7 Front panel
- 8 Drive holder for 3 x 5 1/4" and 1 x 3 1/2"

	Packs of		Page
<b>Width</b> mm		380.0	
<b>Height</b> mm		330.0	
<b>Depth</b> mm		292.5/290.0	
<b>Model No. RP basic system fully assembled</b>	1	<b>3659.710</b>	
<b>Accessories</b>			
Unused slot cover	5	3659.030	538
Cover for 5 1/4" drive space	1	3659.110	538
Cover for 3 1/2" drive space	1	3659.410	538
Uninterruptible power supply	1	3659.080	544
<b>ATX I/O covers, sheet steel<sup>1)</sup></b>			
Type "Aurora Marl"	1	<b>3659.040</b>	-
Type "Tucson"/"Venus"	1	<b>3659.130</b>	-
Type "Providence"	1	<b>3659.140</b>	-

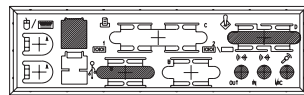
<sup>1)</sup> Other versions available on request; please specify the type of mainboard.

### ATX I/O covers:

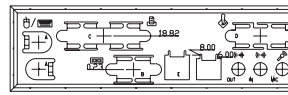
#### Type "Aurora Marl"



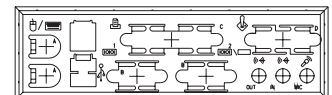
#### Type "Venus"



#### Type "Providence"



#### Type "Tucson"



# Rack-mount systems for industrial PCs

## Accessories



### Unused slot cover

Screw-on cover to conceal slot cut-outs which are not required.

**Material:**

Sheet steel, zinc-plated, passivated

**Supply includes:**

Assembly parts.

Packs of	Model No. RP
5	<b>3659.030</b>



### Cover for drives

To conceal the 3 1/2" or 5 1/4" drive slots.

**Material:**

Sheet steel, zinc-plated/spray-finished in RAL 7035

**Supply includes:**

Assembly parts.

Design	Packs of	Model No. RP
3 1/2"	1	<b>3659.410</b>
5 1/4"	1	<b>3659.110</b>

**For ATX Ripac**

Design	Packs of	Model No. RP
5 1/4"	1	<b>3659.050</b>



### Telescopic slides

Facilitate optimum accessibility to the units, even when built-in.

For up to a maximum enclosure width of 426 mm.

**Load capacity:**

30 kg

**Material:**

Sheet steel

**Supply includes:**

1 set = 2 telescopic slides, installation kit, assembly parts.

For enclosure depth mm	Maximum extension mm	Model No. RP
600	511.2	<b>3659.180</b>
800	596.4	<b>3659.190</b>

**Note:**

May only be fitted in conjunction with L-shaped 482.6 mm (19") sections!



### Front handles

The handles are fitted onto the 482.6 mm (19") flange. They allow easy withdrawal of the cases from the enclosure.

**Material:**

Sheet steel, plated

**Supply includes:**

Assembly parts.

For enclosure height (U)	Packs of	Model No. RP
1	2	<b>3659.540</b>
2	2	<b>3659.020</b>
4	2	<b>3659.240</b>



### Drive holder

The drive holder will accommodate a maximum of 4 additional 3 1/2" hard disks. They are mounted inside the enclosure behind the fan.

**Material:**

Sheet steel, zinc-plated, passivated

**Supply includes:**

Assembly parts.

For system	Packs of	Model No. RP
ATX Economy	1 set	<b>3659.230</b>
Ripac ATX	1 set	<b>3659.060</b>



### Card retainer

For secure attachment and stabilisation of slot cards up to 327 mm depth. The card retainers are height-adjustable so that even cards of different heights may be securely attached.

**A mounting bar is needed to fit the card retainer** (already included with ATX Ripac).

**Material:**

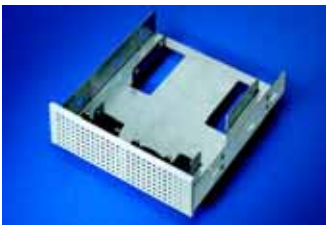
Card retainer: Plastic  
Mounting bar: Sheet steel, zinc-plated, passivated

**Card retainer**

Packs of	Model No. RP
7	<b>3659.010</b>

**Mounting bar**

Packs of	Model No. RP
1	<b>3659.090</b>



### Adaptor

For the installation of 3 1/2" hard disks or floppies in 5 1/4" installation slots.

**Material:**

Sheet steel, zinc-plated  
Front panel: Spray-finished in RAL 7035

**Supply includes:**

Assembly parts.

Design	Packs of	Model No. RP
for 3 1/2" hard disk	1	<b>3659.270</b>
for 3 1/2" floppy	1	<b>3659.280</b>



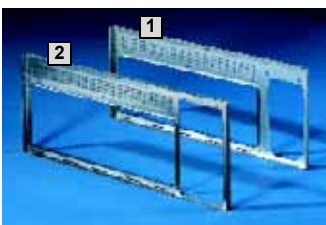
### DC fan for rear panel

Fan 12 V DC, 60 mm, for mounting on the rear panel. Including two 4-pole connectors with terminal.

**Supply includes:**

2 fans with connection cable, including assembly parts.

Packs of	Model No. RP
2	<b>3659.250</b>



### Rear panels

For the installation of AT/ATX Economy. Optionally with cut-out for AT/ATX power pack or redundant power pack.

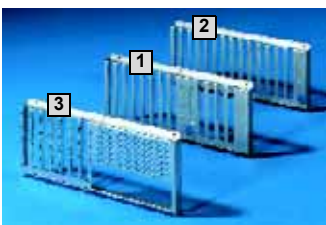
**Material:**

Sheet steel, zinc-plated, passivated

**Supply includes:**

Assembly parts.

Design	Packs of	Model No. RP
<b>1</b> for AT/ATX power pack (PS/2)	1	<b>3659.290</b>
<b>2</b> for redundant power pack PS/2	1	<b>3659.310</b>



### Slotted rear panels

For the installation of AT/ATX Economy. Mounted on the rear panels. Optionally for AT (8 + 4 or 14 slots) or ATX (7 slots).

**Material:**

Sheet steel, zinc-plated, passivated

**Supply includes:**

Assembly parts.

Design	Packs of	Model No. RP
<b>1</b> AT 4 + 8 slots	1	<b>3659.330</b>
<b>2</b> AT 14 slots	1	<b>3659.340</b>
<b>3</b> ATX 7 slots	1	<b>3659.320</b>



### Front trim panels

For the installation of AT/ATX Economy. Mounted in the front of the enclosure.

Optionally for:

- AT (2 x LED, reset button)
- ATX (2 x LED, reset button)
- ATX (2 x LED, reset button), electronics for automatic restart following mains failure

Design	Packs of	Model No. RP
<b>1</b> AT	1	<b>3659.360</b>
<b>2</b> ATX	1	<b>3659.350</b>
<b>3</b> ATX (with electronics)	1	<b>3659.370</b>