

Ri4Power



B
2.8
Rittal Ri4Power

Form 1 High-current energy distributor



The system solution consisting of the SV-TS 8 Top enclosure system and the standardised Maxi PLS busbars.

Applications:

- Main current distribution systems
- Current rectification applications
- Wind power
- Industry distribution systems
- Mechanical engineering

Technical specifications:

Rated voltage:
up to 690 V AC

Rated currents:
up to 1600, 2000 or 3200 A

Rated transient current resistance:
up to 70/124 kA

Protection category:
up to IP 54

Form 2-4 Low-voltage systems



Modular form separation of the SV-TS 8 Top enclosure system in combination with RiLine busbars.

Applications:

- Process industry
- Water supply/disposal
- Building distribution
- Chemical industry
- Mechanical engineering

Technical specifications:

Rated voltage:
up to 690 V AC

Rated currents:
up to 800 A, up to 1600 A, up to 4000 A

Rated transient current resistance:
up to 52 kA

Protection category:
up to IP 54

Form 1 Distribution enclosure



Everything from a single source: ISV-TS 8 enclosure system, ISV modules and SV components.

Applications:

- Building distribution systems
- Industry distribution systems
- Subdistribution systems

Technical specifications:

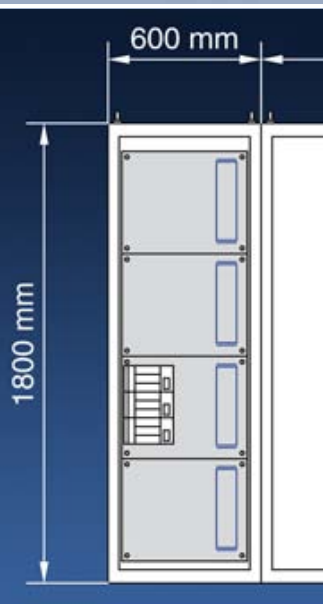
Rated voltage:
up to 690 V AC

Rated currents:
up to 630 A, up to 1600 A

Rated transient current resistance:
up to 50 kA

Protection category:
up to IP 54

Software Planning, configuring, selection



Innovative software for fast achievement of Ri4Power systems.

Rittal Power Engineering

- For planners: Tendering text and plan drawings at the press of a button
- For preparing a tender: Exact costing for each part in just a few easy steps
- For the plant constructor: Field-related bills of materials and drawings at the press of a button

Ri4Power
Type-tested to IEC 60 439-1
Accidental arc testing to IEC 61 641

Rittal Ri4Power Form 1

Heavy current power distributor with Maxi-PLS



TS 8 and Maxi-PLS bar. This is the ideal combination for Ri4Power Form 1 low-voltage distributors and switchgear in the heavy current range. The system is assembled without any form of machining (such as sawing, drilling, bending etc.). As a result, this future-oriented, type-tested fully modular system offers new dimensions in fast assembly and safety. Rittal Power Engineering, an intuitive software solution, is available to help you with planning and calculation.

B
2.8

Rittal Ri4Power Form 1

Ri4Power Form 1 enclosures



Prepared SV-TS 8 enclosures for all field types.
Standardised enclosure frames for the installation of power cir-

cuit-breakers, NH fused isolators, coupling switches etc. Installation has been mechanically prepared in such a way

that minimum assembly work is required for maximum combination diversity.

Maxi-PLS busbars and system components



Standardised Maxi-PLS busbars with ingenious fastening technology.
Thanks to the perfect system technology and customised pitch pattern, installation of

Maxi-PLS supports and bars is precise-fit, simple and fast. With the aid of sliding blocks or studs, the four attachment levels of the Maxi-PLS busbars permit infinitely variable attachment

and contacting of round conductors, laminated flat copper and Maxi-PLS connection brackets and connection kits.

Ri4Power Form 1 system components



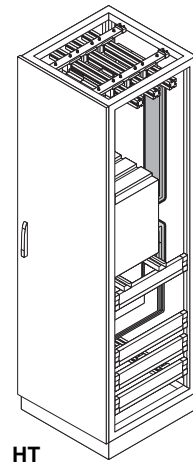
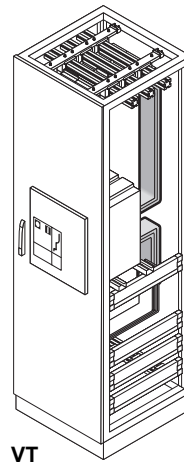
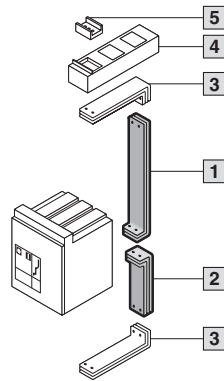
System packages for all commercially available power circuit-breakers.
Maxi-PLS busbars, in conjunction with the isolator chassis, the U contact washers and the connection brackets, form the heart

of this system for the connection of power circuit-breakers up to 3200 A with standardised components. The connection kits are precisely tailored to the respective power circuit-breakers.

Type tests to EN 60 439-1/ IEC 60 439-1, special test under accidental arcing conditions to EN 60 439-1, supplement 2/IEC 1641

Rittal Ri4Power Form 1

Connection kits (3-pole), Maxi-PLS up to 2000 A



B
2.8
Rittal Ri4Power Form 1

For installation in 600 mm deep and 2000 mm high enclosures. Recommended enclosure width 600 mm.

Material:
E-Cu

Correct selection should be made according to the following criteria:

- Manufacturer, size
- Rated current I_e
- Switch version either "static installation" or "rack-mounted"
- Position of the power circuit-breaker:
VT = in door cut-out
HT = behind the door

- 1** Connection kit, top
- 2** Connection kit, bottom
- 3** Connection bracket
- 4** Isolator chassis
- 5** U contact maker

Note:
Technical modifications reserved.
Connection kits for other enclosure sizes or 4-pole systems available on request.

Delivery time:
Extended delivery times.

Siemens 3WL, Moeller IZM		Model No. SV						Page
Rated operating current I_e		630 A	800 A	1000 A	1250 A	1600 A	2,000 A	
Size (BG)		I	I	I	I	I	II	
Static	VT	1 top	9644.030	9644.070	9644.110	9644.150	9644.190	9644.510
		2 bottom	9644.040	9644.080	9644.120	9644.160	9644.200	9644.520
	HT	1 top	9644.010	9644.050	9644.090	9644.130	9644.170	9644.490
		2 bottom	9644.020	9644.060	9644.100	9644.140	9644.180	9644.500
Rack-mounted	VT	1 top	9644.310	9644.350	9644.390	9644.430	9644.470	9644.530
		2 bottom	9644.320	9644.360	9644.400	9644.440	9644.480	9644.540
	HT	1 top	9644.290	9644.330	9644.370	9644.410	9644.450	9644.550 ¹⁾
		2 bottom	9644.300	9644.340	9644.380	9644.420	9644.460	9644.560 ¹⁾

Accessories		Packs of						
3 Connection bracket	1 set	9640.430	9640.430	9640.430	9640.440	9640.440	9640.450	423
4 Isolator chassis	1 set	9640.020	9640.020	9640.020	9640.020	9640.020	9640.020	423
5 U contact maker	3	9640.170	9640.170	9640.170	9640.170	9640.170	9640.170	423
Stacking insulator	6	9660.200	9660.200	9660.200	9660.200	9660.200	9660.200	454

Mitsubishi AE-SS		Model No. SV						Page
Rated operating current I_e		630 A	800 A	1000 A	1250 A	1600 A	2000 A	
Static	VT	1 top	–	–	9645.030	9645.070	9645.110	9645.150
		2 bottom	–	–	9645.040	9645.080	9645.120	9645.160
	HT	1 top	–	–	9645.010	9645.050	9645.090	9645.130
		2 bottom	–	–	9645.020	9645.060	9645.100	9645.140
Rack-mounted	VT	1 top	–	–	9645.350	9645.390	9645.430	9645.470
		2 bottom	–	–	9645.360	9645.400	9645.440	9645.480
	HT	1 top	–	–	9645.330	9645.370	9645.410	9645.450
		2 bottom	–	–	9645.340	9645.380	9645.420	9645.460

Accessories		Packs of						
3 Connection bracket	1 set	–	–	9640.430	9640.440	9640.440	9640.450	423
4 Isolator chassis	1 set	–	–	9640.020	9640.020	9640.020	9640.020	423
5 U contact maker	3	–	–	9640.170	9640.170	9640.170	9640.170	423
Stacking insulator	6	–	–	9660.200	9660.200	9660.200	9660.200	454

¹⁾ For installation in 800 mm deep enclosures.

Rittal Ri4Power Form 1

Connection kits (3-pole), Maxi-PLS up to 2000 A

Merlin Gerin Masterpact NW		Model No. SV					Page
Rated operating current I_e		800 A	1000 A	1250 A	1600 A	2000 A	
Static	VT	1 top	9642.030	9642.070	9642.110	9642.150	9642.190
		2 bottom	9642.040	9642.080	9642.120	9642.160	9642.200
	HT	1 top	9642.010	9642.050	9642.090	9642.130	9642.170
		2 bottom	9642.020	9642.060	9642.100	9642.140	9642.180
Rack-mounted	VT	1 top	9642.310	9642.350	9642.390	9642.430	9642.470
		2 bottom	9642.320	9642.360	9642.400	9642.440	9642.480
	HT	1 top	9642.290	9642.330	9642.370	9642.410	9642.450
		2 bottom	9642.300	9642.340	9642.380	9642.420	9642.460

Accessories		Packs of						
3	Connection bracket	1 set	9640.430	9640.440	9640.440	9640.440	9640.450	423
4	Isolator chassis	1 set	9640.020	9640.020	9640.020	9640.020	9640.020	423
5	U contact maker	3	9640.170	9640.170	9640.170	9640.170	9640.170	423
	Stacking insulator	6	9660.200	9660.200	9660.200	9660.200	9660.200	454

ABB Sace Emax		Model No. SV					Page
Rated operating current I_e		800 A	1000 A	1250 A	1600 A	2000 A	
Size (BG)		E1	–	E1	E2	E2	
Static	VT	1 top	9643.030	–	9643.070	9643.110	9643.150
		2 bottom	9643.040	–	9643.080	9643.120	9643.160
	HT	1 top	9643.010	–	9643.050	9643.090	9643.130
		2 bottom	9643.020	–	9643.060	9643.100	9643.140
Rack-mounted	VT	1 top	9643.310	–	9643.350	9643.390	9643.430
		2 bottom	9643.320	–	9643.360	9643.400	9643.440
	HT	1 top	9643.290	–	9643.330	9643.370	9643.410
		2 bottom	9643.300	–	9643.340	9643.380	9643.420

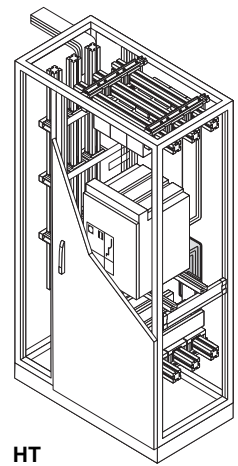
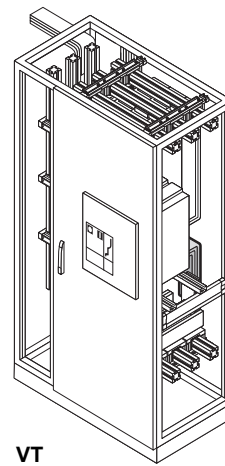
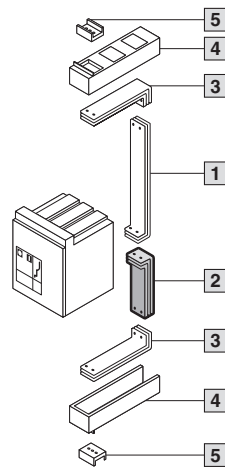
Accessories		Packs of						
3	Connection bracket	1 set	9640.430	–	9640.440	9640.440	9640.450	423
4	Isolator chassis	1 set	9640.020	–	9640.020	9640.020	9640.020	423
5	U contact maker	3	9640.170	–	9640.170	9640.170	9640.170	423
	Stacking insulator	6	9660.200	–	9660.200	9660.200	9660.200	454

B
2.8

Rittal Ri4Power Form 1

Rittal Ri4Power Form 1

Connection kits for coupling sets (3-pole), Maxi-PLS up to 2000 A



For installation in 600 mm deep and 2000 mm high enclosures. Recommended enclosure width 800 mm.

Material:
E-Cu

Correct selection should be made according to the following criteria:

- Manufacturer, size
- Rated current I_e
- Switch version either "static installation" or "rack-mounted"
- Position of the power circuit-breaker:
VT = in door cut-out
HT = behind the door

- 1 Connection kit, top see page 414 and 415.
- 2 Connection kit, bottom for coupling section
- 3 Connection bracket
- 4 Isolator chassis
- 5 U contact maker

Note:
Technical modifications reserved.
Connection kits for other enclosure sizes or 4-pole systems available on request.

Delivery time:
Extended delivery times.

Siemens 3WL, Moeller IZM		Model No. SV		Page
Rated operating current I_e		1600 A	2000 A	
Size (BG)		I	II	
Static	VT 2 bottom	9644.205	9644.525	
	HT 2 bottom	9644.185	9644.505	
Rack-mounted	VT 2 bottom	9644.485	9644.545	
	HT 2 bottom	9644.465	9644.565¹⁾	
Accessories Packs of				
3 Connection bracket	1 set	9640.440	9640.450	423
4 Isolator chassis	1 set	9640.020	9640.020	423
5 U contact maker	3	9640.170	9640.170	423
Stacking insulator	6	9660.200	9660.200	454

Mitsubishi AE-SS		Model No. SV		Page
Rated operating current I_e		1600 A	2000 A	
Static	VT 2 bottom	9645.125	9645.165	
	HT 2 bottom	9645.105	9645.145	
Rack-mounted	VT 2 bottom	9645.445	9645.485	
	HT 2 bottom	9645.425	9645.465	
Accessories Packs of				
3 Connection bracket	1 set	9640.440	9640.450	423
4 Isolator chassis	1 set	9640.020	9640.020	423
5 U contact maker	3	9640.170	9640.170	423
Stacking insulator	6	9660.200	9660.200	454

¹⁾ For installation in 800 mm deep enclosures.

Rittal Ri4Power Form 1

Connection kits for coupling sets (3-pole), Maxi-PLS up to 2000 A

Merlin Gerin Masterpact NW		Model No. SV		Page
Rated operating current I _e		1600 A	2000 A	
Static	VT 2 bottom	9642.165	9642.205	
	HT 2 bottom	9642.145	9642.185	
Rack-mounted	VT 2 bottom	9642.445	9642.485	
	HT 2 bottom	9642.425	9642.465	

Accessories		Packs of		
3 Connection bracket	1 set	9640.440	9640.450	423
4 Isolator chassis	1 set	9640.020	9640.020	423
5 U contact maker	3	9640.170	9640.170	423
Stacking insulator	6	9660.200	9660.200	454

ABB Sace Emax		Model No. SV		Page
Rated operating current I _e		1600 A	2000 A	
Size (BG)		E2	E2	
Static	VT 2 bottom	9643.125	9643.165	
	HT 2 bottom	9643.105	9643.145	
Rack-mounted	VT 2 bottom	9643.405	9643.445	
	HT 2 bottom	9643.385	9643.425	

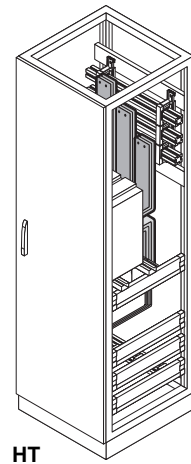
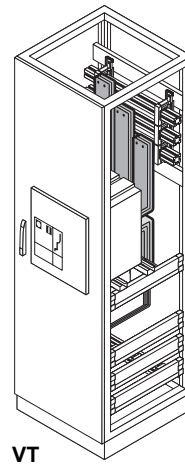
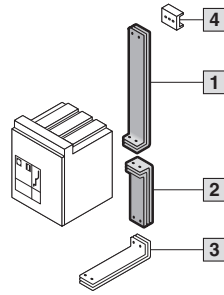
Accessories		Packs of		
3 Connection bracket	1 set	9640.440	9640.450	423
4 Isolator chassis	1 set	9640.020	9640.020	423
5 U contact maker	3	9640.170	9640.170	423
Stacking insulator	6	9660.200	9660.200	454

B
2.8

Rittal Ri4Power Form 1

Rittal Ri4Power Form 1

Connection kits for rear section (3-pole), Maxi-PLS up to 2000 A



For installation in 600 mm deep and 2000 mm high enclosures. Recommended enclosure width 600 mm.

Material:
E-Cu

Correct selection should be made according to the following criteria:

- Manufacturer, size
- Rated current I_e
- Switch version either "static installation" or "rack-mounted"
- Position of the power circuit-breaker:
VT = in door cut-out
HT = behind the door

- 1** Connection kit, top
- 2** Connection kit, bottom
- 3** Connection bracket
- 4** U contact maker

Note:
Technical modifications reserved.
Connection kits for other enclosure sizes or 4-pole systems available on request.

Delivery time:
Extended delivery times.

Siemens 3WL, Moeller IZM		Model No. SV						Page
Rated operating current I_e		630 A	800 A	1000 A	1250 A	1600 A	2000 A	
Size (BG)		I	I	I	I	I	II	
Static	VT	1 top	9644.033	9644.073	9644.113	9644.153	9644.193	9644.513
		2 bottom	9644.043	9644.083	9644.123	9644.163	9644.203	9644.523
	HT	1 top	9644.013	9644.053	9644.093	9644.133	9644.173	9644.493
		2 bottom	9644.023	9644.063	9644.103	9644.143	9644.183	9644.503
Rack-mounted	VT	1 top	9644.313	9644.353	9644.393	9644.433	9644.473	9644.533 ¹⁾
		2 bottom	9644.323	9644.363	9644.403	9644.443	9644.483	9644.543 ¹⁾
	HT	1 top	9644.293 ¹⁾	9644.333 ¹⁾	9644.373 ¹⁾	9644.413 ¹⁾	9644.453 ¹⁾	9644.553 ¹⁾
		2 bottom	9644.303 ¹⁾	9644.343 ¹⁾	9644.383 ¹⁾	9644.423 ¹⁾	9644.463 ¹⁾	9644.563 ¹⁾

Accessories		Packs of						
3 Connection bracket	1 set	9640.430	9640.430	9640.430	9640.440	9640.440	9640.450	423
4 U contact maker	3	9640.170	9640.170	9640.170	9640.170	9640.170	9640.170	423

Mitsubishi AE-SS		Model No. SV						Page
Rated operating current I_e		630 A	800 A	1000 A	1250 A	1600 A	2000 A	
Static	VT	1 top	–	–	9645.033	9645.073	9645.113	9645.153
		2 bottom	–	–	9645.043	9645.083	9645.123	9645.163
	HT	1 top	–	–	9645.013	9645.053	9645.093	9645.133
		2 bottom	–	–	9645.023	9645.063	9645.103	9645.143
Rack-mounted	VT	1 top	–	–	9645.353	9645.393	9645.433	9645.473
		2 bottom	–	–	9645.363	9645.403	9645.443	9645.483
	HT	1 top	–	–	9645.333	9645.373	9645.413	9645.453 ¹⁾
		2 bottom	–	–	9645.343	9645.383	9645.423	9645.463 ¹⁾

Accessories		Packs of						
3 Connection bracket	1 set	–	–	9640.430	9640.440	9640.440	9640.450	423
4 U contact maker	3	–	–	9640.170	9640.170	9640.170	9640.170	423

¹⁾ For installation in 800 mm deep enclosures.

Connection kits for rear section (3-pole), Maxi-PLS up to 2000 A

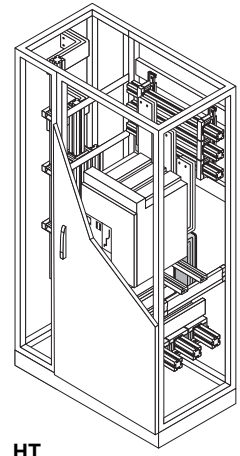
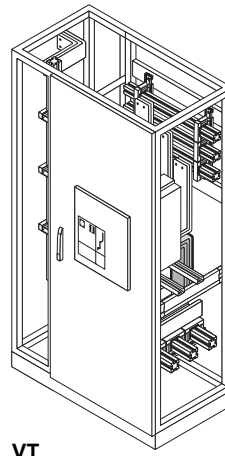
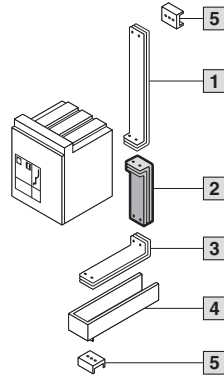
Merlin Gerin Masterpact NW		Model No. SV					Page	
Rated operating current I _e		800 A	1000 A	1250 A	1600 A	2000 A		
Static	VT	1 top	9642.033	9642.073	9642.113	9642.153	9642.193	
		2 bottom	9642.043	9642.083	9642.123	9642.163	9642.203	
	HT	1 top	9642.013	9642.053	9642.093	9642.133	9642.173	
		2 bottom	9642.023	9642.063	9642.103	9642.143	9642.183	
Rack-mounted	VT	1 top	9642.313	9642.353	9642.393	9642.433	9642.473	
		2 bottom	9642.323	9642.363	9642.403	9642.443	9642.483	
	HT	1 top	9642.293	9642.333	9642.373	9642.413	9642.453	
		2 bottom	9642.303	9642.343	9642.383	9642.423	9642.463	
Accessories		Packs of						
3	Connection bracket	1 set	9640.430	9640.440	9640.440	9640.440	9640.450	423
4	U contact maker	3	9640.170	9640.170	9640.170	9640.170	9640.170	423

ABB Sace Emax		Model No. SV					Page	
Rated operating current I _e		800 A	1000 A	1250 A	1600 A	2000 A		
Size (BG)		E1	–	E1	E2	E2		
Static	VT	1 top	9643.033	–	9643.073	9643.113	9643.153	
		2 bottom	9643.043	–	9643.083	9643.123	9643.163	
	HT	1 top	9643.013	–	9643.053	9643.093	9643.133	
		2 bottom	9643.023	–	9643.063	9643.103	9643.143	
Rack-mounted	VT	1 top	9643.313	–	9643.353	9643.393	9643.433	
		2 bottom	9643.323	–	9643.363	9643.403	9643.443	
	HT	1 top	9643.293	–	9643.333	9643.373	9643.413 ¹⁾	
		2 bottom	9643.303	–	9643.343	9643.383	9643.423 ¹⁾	
Accessories		Packs of						
3	Connection bracket	1 set	9640.430	–	9640.440	9640.440	9640.450	423
4	U contact maker	3	9640.170	–	9640.170	9640.170	9640.170	423

¹⁾For installation in 800 mm deep enclosures.

Rittal Ri4Power Form 1

Connection kits for coupling sets – rear section (3-pole), Maxi-PLS up to 2000 A



B
2.8

Rittal Ri4Power Form 1

For installation in 600 mm deep and 2000 mm high enclosures. Recommended enclosure width 800 mm.

Material:
E-Cu

Correct selection should be made according to the following criteria:

- Manufacturer, size
- Rated current I_e
- Switch version either "static installation" or "rack-mounted"
- Position of the power circuit-breaker:
VT = in door cut-out
HT = behind the door

- 1 Connection kit, top see page 418 and 419.
- 2 Connection kit, bottom for coupling section
- 3 Connection bracket
- 4 Isolator chassis
- 5 U contact maker

Note:
Technical modifications reserved.
Connection kits for other enclosure sizes or 4-pole systems available on request.

Delivery time:
Extended delivery times.

Siemens 3WL, Moeller IZM		Model No. SV		Page
Rated operating current I_e		1600 A	2000 A	
Size (BG)		I	II	
Static	VT 2 bottom	9644.204	9644.524	
	HT 2 bottom	9644.184	9644.504	
Rack-mounted	VT 2 bottom	9644.484	9644.544¹⁾	
	HT 2 bottom	9644.464¹⁾	9644.564¹⁾	
Accessories Packs of				
3 Connection bracket	1 set	9640.440	9640.450	423
4 Isolator chassis	1 set	9640.020	9640.020	423
5 U contact maker	3	9640.170	9640.170	423

Mitsubishi AE-SS		Model No. SV		Page
Rated operating current I_e		1600 A	2000 A	
Static	VT 2 bottom	9645.124	9645.164	
	HT 2 bottom	9645.104	9645.144	
Rack-mounted	VT 2 bottom	9645.444	9645.484	
	HT 2 bottom	9645.424	9645.464¹⁾	
Accessories Packs of				
3 Connection bracket	1 set	9640.440	9640.450	423
4 Isolator chassis	1 set	9640.020	9640.020	423
5 U contact maker	3	9640.170	9640.170	423

¹⁾ For installation in 800 mm deep enclosures.

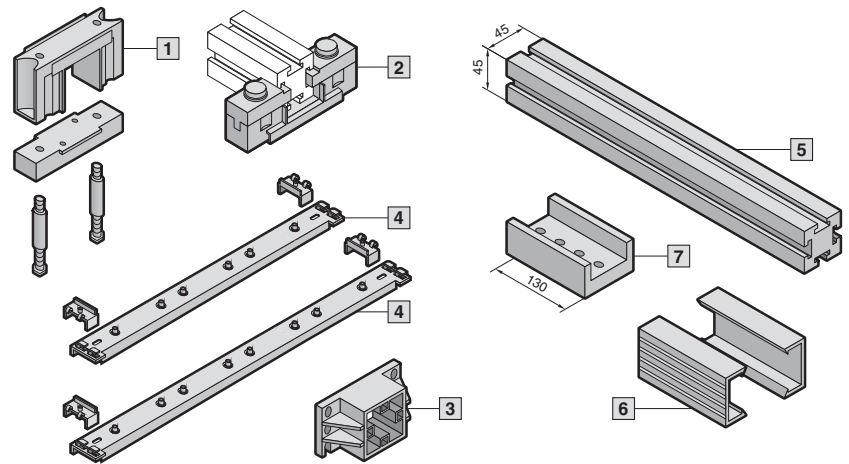
Connection kits for coupling sets – rear section (3-pole), Maxi-PLS up to 2000 A

Merlin Gerin Masterpact NW		Model No. SV		Page
Rated operating current I _e		1600 A	2000 A	
Static	VT 2 bottom	9642.164	9642.204	
	HT 2 bottom	9642.144	9642.184	
Rack-mounted	VT 2 bottom	9642.444	9642.484	
	HT 2 bottom	9642.424	9642.464	
Accessories		Packs of		
3 Connection bracket	1 set	9640.440	9640.450	423
4 Isolator chassis	1 set	9640.020	9640.020	423
5 U contact maker	3	9640.170	9640.170	423
ABB Sace Emax		Model No. SV		Page
Rated operating current I _e		1600 A	2000 A	
Size		E2	E2	
Static	VT 2 bottom	9643.124	9643.164	
	HT 2 bottom	9643.104	9643.144	
Rack-mounted	VT 2 bottom	9643.404	9643.444	
	HT 2 bottom	9643.384	9643.424¹⁾	
Accessories		Packs of		
3 Connection bracket	1 set	9640.440	9640.450	423
4 Isolator chassis	1 set	9640.020	9640.020	423
5 U contact maker	3	9640.170	9640.170	423

¹⁾ For installation in 800 mm deep enclosures.

Rittal Ri4Power Form 1

System components, Maxi-PLS up to 1600 A/2000 A



Material:
 Busbar support, end support,
 end cover: PA 6.6
 System attachment:
 Stainless steel
 Cover section: Hard PVC

Note:
 PE/PEN combination/busbars,
 see page 409.

Detailed drawing,
 see page 1250.

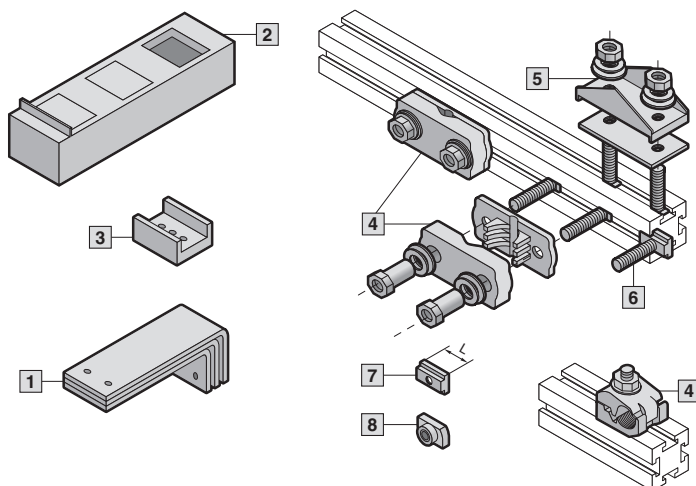
Rittal Ri4Power Form 1

2.8

Maxi-PLS system components			3-pole		4-pole	
			Packs of	Model No. SV	Packs of	Model No. SV
1	Busbar support	3	9640.000	3 + 1	9640.000 9649.000	
2	Busbar support, suitable for top mounting	3	9640.160	3	9640.160	
3	End supports	6	9640.010	6 + 2	9640.010 9649.010	
4	System attachment for installing the busbar supports.					
	For enclosures	Enclosure depth mm	Bar centre distance mm			
		500	100	2	9640.100	
	TS (roof section)	600	100	2	9640.120	
		600	150	2	9640.140	
	TS (rear section)	–	185	2	9640.150	
		–	100	–	–	
				2	9640.090	
6	Cover section for clip-on mounting on the Maxi-PLS busbars, length 1000 mm.					
				5	9640.050	
7	Longitudinal connector E-Cu for simple baying connection of the Maxi-PLS busbars. Including sliding blocks, bolts, washers and nuts.					
				3	9640.190	
	End cover for clip-on mounting on the end surface of Maxi-PLS busbars.					
				6 + 2	9640.060 9649.060	
5	Maxi-PLS busbars E-Cu (special lengths available on request).					
	Length mm	For enclosure width mm	For application ¹⁾	1600 A	2000 A	
	491	600	A	1	9640.206	
	525	600	B	1	9640.216	
	599	600	C	1	9640.226	
	691	800	A	1	9640.236	
	725	800	B	1	9640.246	
	799	800	C	1	9640.256	
	891	1000	A	1	9640.266	
	925	1000	B	1	9640.276	
	999	1000	C	1	9640.286	
	1091	1200	A	1	9640.296	
	1125	1200	B	1	9640.306	
	1199	1200	C	1	9640.316	
	2400	–	–	3	9640.365	
	2400	–	–	–	–	
				4	9649.360	

¹⁾ A = Cable connection system with end support
 B = Left-hand or right-hand end enclosure in a switchgear installation
 C = Bayed enclosure with panels bayed on the left and right

Connection components, Maxi-PLS up to 1600 A/2000 A



4 SV 9640.325

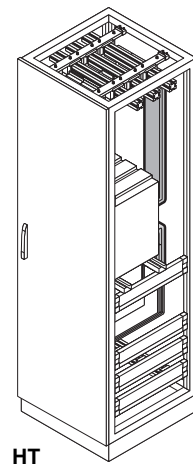
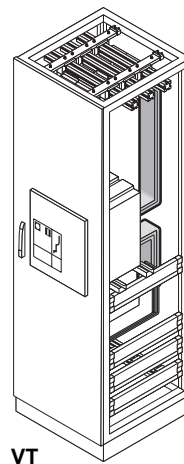
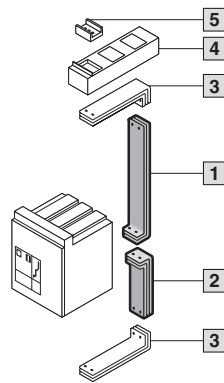
Detailed drawing,
see page 1251.

Maxi-PLS connection components			3-pole		4-pole	
			Packs of	Model No. SV	Packs of	Model No. SV
1 Connection bracket E-Cu Transition from the main busbar system to the connection kits.						
For enclosure depth mm	Width mm	Number of brackets per phase				
500	60	1	1 set	9640.400	–	–
500	60	2	1 set	9640.410	–	–
500	60	3	1 set	9640.420	–	–
600	60	1	1 set	9640.430	1 set	9649.430
600	60	2	1 set	9640.440	1 set	9649.440
600	60	3	1 set	9640.450	1 set	9649.450
2 Isolator chassis for isolated routing of the connection brackets. Material: PA 6.6, black, including assembly parts.						
Bar centre distance mm	For connection bracket width mm					
100	60		1 set	9640.020	1 set	9649.020
150	60		1 set	9650.020	–	–
150	100		1 set	9650.030	–	–
3 U contact maker E-Cu for contacting the connection brackets to the Maxi-PLS busbars. Including sliding blocks.						
60 mm width			3	9640.170	3 + 1	9640.170 9649.170
100 mm width			3	9640.180	–	–
4 Connection clamp for the connection of round conductors 95 to 300 mm ² (multi-wire and sector). Including assembly parts.						
50 mm width			1	9640.325	1	9640.325
90 mm width			3	9640.320	3	9640.320
5 Connection plates for the connection of laminated flat copper bars. Including assembly parts.						
Maximum clamping area	2 x 10 x 32 x 1 mm		3	9640.330	3	9640.330
	2 x 10 x 63 x 1 mm		3	9640.340	3	9640.340
	2 x 10 x 100 x 1 mm		3	9640.350	3	9640.350
6 Terminal stud for connecting cables with ring terminals. Including sliding blocks.						
Thread	M12	Length 30 mm	3	9640.370	3	9640.370
	M16	Length 30 mm	3	9640.380	3	9640.380
7 Sliding blocks for sliding into the Maxi-PLS busbar section at the sides.						
Thread	M8	Length (L) 20 mm	15	9640.970	15	9640.970
	M10	Length (L) 25 mm	15	9640.980	15	9640.980
8 Sliding nuts for retrospective insertion into the Maxi-PLS busbar section.						
Thread	M6		15	9640.900	15	9640.900
	M8		15	9640.910	15	9640.910
	M10		15	9640.920	15	9640.920
Threaded bolts for individual connection options ¹⁾ . Including plain washers, spring lock washers and nuts.						
Thread	M6	Length 35 mm	6	9640.930	6	9640.930
	M8	Length 35 mm	6	9640.940	6	9640.940
	M10	Length 80 mm	6	9640.960	6	9640.960

¹⁾ Sliding blocks or sliding nuts are additionally required for attachment.

Rittal Ri4Power Form 1

Connection kits (3-pole), Maxi-PLS up to 3200 A



For installation in 600 mm deep and 2000 mm high enclosures. Recommended enclosure width 600 mm.

Material:
E-Cu

Correct selection should be made according to the following criteria:

- Manufacturer, size
- Rated current I_e
- Switch version either "static installation" or "rack-mounted"
- Position of the power circuit-breaker:
VT = in door cut-out
HT = behind the door

- 1 Connection kit, top
- 2 Connection kit, bottom
- 3 Connection bracket
- 4 Isolator chassis
- 5 U contact maker

Note:
Technical modifications reserved.
Connection kits for other enclosure sizes or 4-pole systems available on request.

Delivery time:
Extended delivery times.

Siemens 3WL, Moeller IZM		Model No. SV						Page	
Rated operating current I_e		630 A	800 A	1000 A	1250 A	1600 A	2000 A		
Size (BG)		I	I	I	I	I	II		
Static	VT	1 top	9654.030	9654.070	9654.110	9654.150	9654.190	9654.690	
		2 bottom	9654.040	9654.080	9654.120	9654.160	9654.200	9654.700	
	HT	1 top	9654.010	9654.050	9654.090	9654.130	9654.170	9654.710	
		2 bottom	9654.020	9654.060	9654.100	9654.140	9654.180	9654.720	
Rack-mounted	VT	1 top	9654.350	9654.390	9654.430	9654.470	9654.510	9654.650	
		2 bottom	9654.360	9654.400	9654.440	9654.480	9654.520	9654.660	
	HT	1 top	9654.330	9654.370	9654.410	9654.450	9654.490	9654.670 ¹⁾	
		2 bottom	9654.340	9654.380	9654.420	9654.460	9654.500	9654.680 ¹⁾	
Accessories		Packs of							
		3	9650.400	9650.400	9650.400	9650.410	9650.410	9650.420	437
		4	9650.020	9650.020	9650.020	9650.020	9650.020	9650.020	437
		5	9650.170	9650.170	9650.170	9650.170	9650.170	9650.170	437
		Stacking insulator	6	9660.200	9660.200	9660.200	9660.200	9660.200	454

Mitsubishi AE-SS		Model No. SV					Page	
Rated operating current I_e		800 A	1000 A	1250 A	1600 A	2000 A		
Static	VT	1 top	–	9655.030	9655.070	9655.110	9655.150	
		2 bottom	–	9655.040	9655.080	9655.120	9655.160	
	HT	1 top	–	9655.010	9655.050	9655.090	9655.130	
		2 bottom	–	9655.020	9655.060	9655.100	9655.140	
Rack-mounted	VT	1 top	–	9655.310	9655.350	9655.390	9655.430	
		2 bottom	–	9655.320	9655.360	9655.400	9655.440	
	HT	1 top	–	9655.290	9655.330	9655.370	9655.410	
		2 bottom	–	9655.300	9655.340	9655.380	9655.420	
Accessories		Packs of						
		3	–	9650.400	9650.410	9650.410	9650.420	437
		4	–	9650.020	9650.020	9650.020	9650.020	437
		5	–	9650.170	9650.170	9650.170	9650.170	437
		Stacking insulator	6	–	9660.200	9660.200	9660.200	454

¹⁾ For installation in 800 mm deep enclosures.

Rittal Ri4Power Form 1

Connection kits (3-pole), Maxi-PLS up to 3200 A

Merlin Gerin Masterpact NW		Model No. SV					Page
Rated operating current I _e		800 A	1000 A	1250 A	1600 A	2000 A	
Static	VT	1 top	9652.030	9652.070	9652.110	9652.150	-
		2 bottom	9652.040	9652.080	9652.120	9652.160	-
	HT	1 top	9652.010	9652.050	9652.090	9652.130	-
		2 bottom	9652.020	9652.060	9652.100	9652.140	-
Rack-mounted	VT	1 top	9652.310	9652.350	9652.390	9652.430	-
		2 bottom	9652.320	9652.360	9652.400	9652.440	-
	HT	1 top	9652.290	9652.330	9652.370	9652.410	-
		2 bottom	9652.300	9652.340	9652.380	9652.420	-

Accessories		Packs of						
3	Connection bracket	1 set	9650.400	9650.410	9650.410	9650.410	-	437
4	Isolator chassis	1 set	9650.020	9650.020	9650.020	9650.020	-	437
5	U contact maker	3	9650.170	9650.170	9650.170	9650.170	-	437
	Stacking insulator	6	9660.200	9660.200	9660.200	9660.200	-	454

ABB Sace Emax		Model No. SV					Page
Rated operating current I _e		800 A	1000 A	1250 A	1600 A	2000 A	
Size (BG)		E1	-	E1	E2	E2	
Static	VT	1 top	9653.030	-	9653.070	9653.110	9653.150
		2 bottom	9653.040	-	9653.080	9653.120	9653.160
	HT	1 top	9653.010	-	9653.050	9653.090	9653.130
		2 bottom	9653.020	-	9653.060	9653.100	9653.140
Rack-mounted	VT	1 top	9653.310	-	9653.350	9653.390	9653.430
		2 bottom	9653.320	-	9653.360	9653.400	9653.440
	HT	1 top	9653.290	-	9653.330	9653.370	9653.410
		2 bottom	9653.300	-	9653.340	9653.380	9653.420

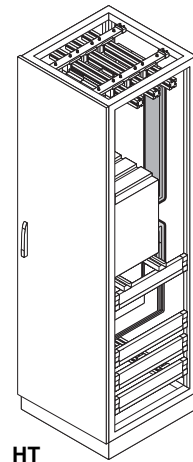
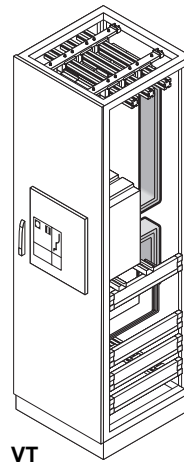
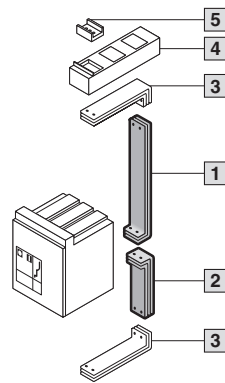
Accessories		Packs of						
3	Connection bracket	1 set	9650.400	-	9650.410	9650.410	9650.420	437
4	Isolator chassis	1 set	9650.020	-	9650.020	9650.020	9650.020	437
5	U contact maker	3	9650.170	-	9650.170	9650.170	9650.170	437
	Stacking insulator	6	9660.200	-	9660.200	9660.200	9660.200	454

B
2.8

Rittal Ri4Power Form 1

Rittal Ri4Power Form 1

Connection kits (3-pole), Maxi-PLS up to 3200 A



B
2.8

Rittal Ri4Power Form 1

For installation in 600 mm deep and 2000 mm high enclosures. Recommended enclosure width 800 mm.

Material:
E-Cu

Correct selection should be made according to the following criteria:

- Manufacturer, size
- Rated current I_e
- Switch version either "static installation" or "rack-mounted"
- Position of the power circuit-breaker:
VT = in door cut-out
HT = behind the door

- 1 Connection kit, top
- 2 Connection kit, bottom
- 3 Connection bracket
- 4 Isolator chassis
- 5 U contact maker

Note:
Technical modifications reserved.
Connection kits for other enclosure sizes or 4-pole systems available on request.

Delivery time:
Extended delivery times.

Siemens 3WL, Moeller IZM		Model No. SV			Page	
Rated operating current I_e		2000 A	2500 A	3200 A		
Size (BG)		II	II	II		
Static	VT	1 top	9654.690	9654.270	9654.310	
		2 bottom	9654.700	9654.280	9654.320	
	HT	1 top	9654.710	9654.250	9654.290	
		2 bottom	9654.720	9654.260	9654.300	
Rack-mounted	VT	1 top	9654.650	9654.590	9654.630	
		2 bottom	9654.660	9654.600	9654.640	
	HT	1 top	9654.670 ¹⁾	9654.570 ¹⁾	9654.610 ¹⁾	
		2 bottom	9654.680 ¹⁾	9654.580 ¹⁾	9654.620 ¹⁾	
Accessories		Packs of				
3	Connection bracket	1 set	9650.420	9650.480	9650.480	437
4	Isolator chassis	1 set	9650.020	9650.030	9650.030	437
5	U contact maker	3	9650.170	9650.180	9650.180	437
	Stacking insulator	6	9660.200	9660.200	9660.200	454

Mitsubishi AE-SS		Model No. SV			Page	
Rated operating current I_e		2000 A	2500 A	3200 A		
Static	VT	1 top	9655.190	9655.230	9655.270	
		2 bottom	9655.200	9655.240	9655.280	
	HT	1 top	9655.170	9655.210	9655.250	
		2 bottom	9655.180	9655.220	9655.260	
Rack-mounted	VT	1 top	9655.470	9655.510	9655.550	
		2 bottom	9655.480	9655.520	9655.560	
	HT	1 top	9655.450	9655.490	9655.530	
		2 bottom	9655.460	9655.500	9655.540	
Accessories		Packs of				
3	Connection bracket	1 set	9650.470	9650.480	9650.480	437
4	Isolator chassis	1 set	9650.030	9650.030	9650.030	437
5	U contact maker	3	9650.180	9650.180	9650.180	437
	Stacking insulator	6	9660.200	9660.200	9660.200	454

¹⁾ For installation in 800 mm deep enclosures.

Rittal Ri4Power Form 1

Connection kits (3-pole), Maxi-PLS up to 3200 A

Merlin Gerin Masterpact NW		Model No. SV			Page
Rated operating current I_e		2000 A	2500 A	3200 A	
Static	VT	1 top	9652.190	9652.230	9652.270
		2 bottom	9652.200	9652.240	9652.280
	HT	1 top	9652.170	9652.210	9652.250
		2 bottom	9652.180	9652.220	9652.260
Rack-mounted	VT	1 top	9652.470	9652.510	9652.550
		2 bottom	9652.480	9652.520	9652.560
	HT	1 top	9652.450	9652.490	9652.530
		2 bottom	9652.460	9652.500	9652.540

Accessories		Packs of				
3	Connection bracket	1 set	9650.420	9650.470	9650.480	437
4	Isolator chassis	1 set	9650.020	9650.030	9650.030	437
5	U contact maker	3	9650.170	9650.180	9650.180	437
	Stacking insulator	6	9660.200	9660.200	9660.200	454

ABB Sace Emax		Model No. SV			Page
Rated operating current I_e		2000 A	2500 A	3200 A	
Size (BG)		E3	E3	E3	
Static	VT	1 top	9653.190	9653.230	9653.270
		2 bottom	9653.200	9653.240	9653.280
	HT	1 top	9653.170	9653.210	9653.250
		2 bottom	9653.180	9653.220	9653.260
Rack-mounted	VT	1 top	9653.470	9653.510	9653.550
		2 bottom	9653.480	9653.520	9653.560
	HT	1 top	9653.450	9653.490	9653.530
		2 bottom	9653.460	9653.500	9653.540

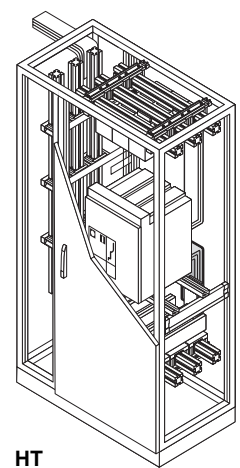
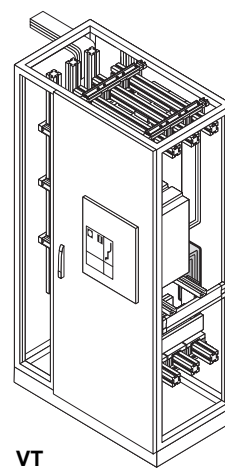
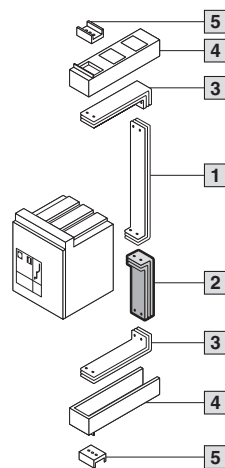
Accessories		Packs of				
3	Connection bracket	1 set	9650.470	9650.470	9650.480	437
4	Isolator chassis	1 set	9650.030	9650.030	9650.030	437
5	U contact maker	3	9650.180	9650.180	9650.180	437
	Stacking insulator	6	9660.200	9660.200	9660.200	454

B
2.8

Rittal Ri4Power Form 1

Rittal Ri4Power Form 1

Connection kits for coupling sets (3-pole), Maxi-PLS up to 3200 A



B
2.8
Rittal Ri4Power Form 1

For installation in 600 mm deep and 2000 mm high enclosures. Recommended enclosure width 1000 mm.

Material:
E-Cu

Correct selection should be made according to the following criteria:

- Manufacturer, size
- Rated current I_e
- Switch version either "static installation" or "rack-mounted"
- Position of the power circuit-breaker:
VT = in door cut-out
HT = behind the door

- 1** Connection kit, top see page 424 – 427.
- 2** Connection kit, bottom for coupling section
- 3** Connection bracket
- 4** Isolator chassis
- 5** U contact maker

Note:
Technical modifications reserved.
Connection kits for other enclosure sizes or 4-pole systems available on request.

Delivery time:
Extended delivery times.

Siemens 3WL, Moeller IZM		Model No. SV				Page
Rated operating current I_e		1600 A ¹⁾	2000 A ¹⁾	2500 A	3200 A	
Size (BG)		I	II	II	II	
Static	VT 2 bottom	9654.205	9654.705	9654.285	9654.325	
	HT 2 bottom	9654.185	9654.725	9654.265	9654.305	
Rack-mounted	VT 2 bottom	9654.525	9654.665	9654.605	9654.645	
	HT 2 bottom	9654.505	9654.685²⁾	9654.585²⁾	9654.625²⁾	
Accessories		Packs of				
3 Connection bracket	1 set	9650.410	9650.420	9650.480	9650.480	437
4 Isolator chassis	1 set	9650.020	9650.020	9650.030	9650.030	437
5 U contact maker	3	9650.170	9650.170	9650.180	9650.180	437
Stacking insulator	6	9660.200	9660.200	9660.200	9660.200	454

Mitsubishi AE-SS		Model No. SV				Page
Rated operating current I_e		1600 A ¹⁾	2000 A	2500 A	3200 A	
Static	VT 2 bottom	9655.125	9655.205	9655.245	9655.285	
	HT 2 bottom	9655.105	9655.185	9655.225	9655.265	
Rack-mounted	VT 2 bottom	9655.405	9655.485	9655.525	9655.565	
	HT 2 bottom	9655.385	9655.465	9655.505	9655.545	
Accessories		Packs of				
3 Connection bracket	1 set	9650.410	9650.470	9650.480	9650.480	437
4 Isolator chassis	1 set	9650.020	9650.030	9650.030	9650.030	437
5 U contact maker	3	9650.170	9650.180	9650.180	9650.180	437
Stacking insulator	6	9660.200	9660.200	9660.200	9660.200	454

¹⁾ Installation of the power circuit-breaker is also possible in 800 mm wide enclosures.

²⁾ For installation in 800 mm deep enclosures.

Connection kits for coupling sets (3-pole), Maxi-PLS up to 3200 A

Merlin Gerin Masterpact NW		Model No. SV				Page
Rated operating current I _e		1600 A ¹⁾	2000 A ¹⁾	2500 A	3200 A	
Static	VT 2 bottom	9652.165	9652.205	9652.245	9652.285	
	HT 2 bottom	9652.145	9652.185	9652.225	9652.265	
Rack-mounted	VT 2 bottom	9652.445	9652.485	9652.525	9652.565	
	HT 2 bottom	9652.425	9652.465	9652.505	9652.545	

Accessories		Packs of				
3 Connection bracket	1 set	9650.410	9650.420	9650.470	9650.480	437
4 Isolator chassis	1 set	9650.020	9650.020	9650.030	9650.030	437
5 U contact maker	3	9650.170	9650.170	9650.180	9650.180	437
Stacking insulator	6	9660.200	9660.200	9660.200	9660.200	454

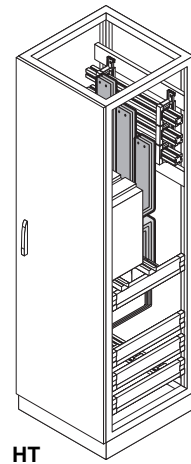
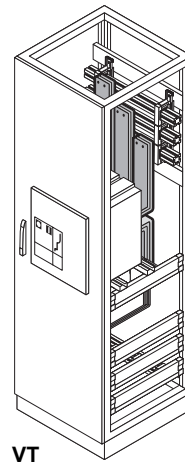
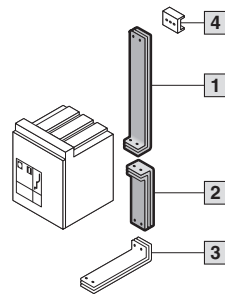
ABB Sace Emax		Model No. SV				Page	
Rated operating current I _e		1600 A	2000 A		2500 A	3200 A	
Size (BG)		E2 ¹⁾	E2 ¹⁾	E3	E3	E3	
Static	VT 2 bottom	9653.125	9653.165	9653.205	9653.245	9653.285	
	HT 2 bottom	9653.105	9653.145	9653.185	9653.225	9653.265	
Rack-mounted	VT 2 bottom	9653.405	9653.445	9653.485	9653.525	9653.565	
	HT 2 bottom	9653.385	9653.425	9653.465	9653.505	9653.545	

Accessories		Packs of					
3 Connection bracket	1 set	9650.410	9650.420	9650.470	9650.470	9650.480	437
4 Isolator chassis	1 set	9650.020	9650.020	9650.030	9650.030	9650.030	437
5 U contact maker	3	9650.170	9650.170	9650.180	9650.180	9650.180	437
Stacking insulator	6	9660.200	9660.200	9660.200	9660.200	9660.200	454

¹⁾ Installation of the power circuit-breaker is also possible in 800 mm wide enclosures.

Rittal Ri4Power Form 1

Connection kits for rear section (3-pole), Maxi-PLS up to 3200 A



For installation in 600 mm deep and 2000 mm high enclosures. Recommended enclosure width 600 mm.

Material:
E-Cu

Correct selection should be made according to the following criteria:

- Manufacturer, size
- Rated current I_e
- Switch version either "static installation" or "rack-mounted"
- Position of the power circuit-breaker:
VT = in door cut-out
HT = behind the door

- 1** Connection kit, top
- 2** Connection kit, bottom
- 3** Connection bracket
- 4** U contact maker

Note:
Technical modifications reserved.
Connection kits for other enclosure sizes or 4-pole systems available on request.

Delivery time:
Extended delivery times.

Siemens 3WL, Moeller IZM		Model No. SV						Page
Rated operating current I_e		630 A	800 A	1000 A	1250 A	1600 A	2000 A	
Size (BG)		I	I	I	I	I	II	
Static	VT	1 top	9654.033	9654.073	9654.113	9654.153	9654.193	9654.693
		2 bottom	9654.043	9654.083	9654.123	9654.163	9654.203	9654.703
	HT	1 top	9654.013	9654.053	9654.093	9654.133	9654.173	9654.713
		2 bottom	9654.023	9654.063	9654.103	9654.143	9654.183	9654.723
Rack-mounted	VT	1 top	9654.353	9654.393	9654.433	9654.473 ¹⁾	9654.513 ¹⁾	9654.653 ¹⁾
		2 bottom	9654.363	9654.403	9654.443	9654.483 ¹⁾	9654.523 ¹⁾	9654.663 ¹⁾
	HT	1 top	9654.333 ¹⁾	9654.373 ¹⁾	9654.413 ¹⁾	9654.453 ¹⁾	9654.493 ¹⁾	9654.673 ¹⁾
		2 bottom	9654.343 ¹⁾	9654.383 ¹⁾	9654.423 ¹⁾	9654.463 ¹⁾	9654.503 ¹⁾	9654.683 ¹⁾
Accessories		Packs of						
3 Connection bracket	1 set	9650.400	9650.400	9650.400	9650.410	9650.410	9650.420	437
4 U contact maker	3	9650.170	9650.170	9650.170	9650.170	9650.170	9650.170	437

Mitsubishi AE-SS		Model No. SV					Page
Rated operating current I_e		800 A	1000 A	1250 A	1600 A	2000 A	
Static	VT	1 top	–	9655.033	9655.073	9655.113	9655.153
		2 bottom	–	9655.043	9655.083	9655.123	9655.163
	HT	1 top	–	9655.013	9655.053	9655.093	9655.133
		2 bottom	–	9655.023	9655.063	9655.103	9655.143
Rack-mounted	VT	1 top	–	9655.313	9655.353	9655.393	9655.433 ¹⁾
		2 bottom	–	9655.323	9655.363	9655.403	9655.443 ¹⁾
	HT	1 top	–	9655.293	9655.333 ¹⁾	9655.373 ¹⁾	9655.413 ¹⁾
		2 bottom	–	9655.303	9655.343 ¹⁾	9655.383 ¹⁾	9655.423 ¹⁾
Accessories		Packs of					
3 Connection bracket	1 set	–	9650.400	9650.410	9650.410	9650.420	437
4 U contact maker	3	–	9650.170	9650.170	9650.170	9650.170	437

¹⁾ For installation in 800 mm deep enclosures.

Connection kits for rear section (3-pole), Maxi-PLS up to 3200 A

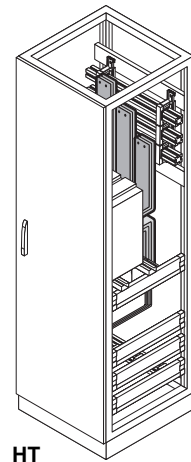
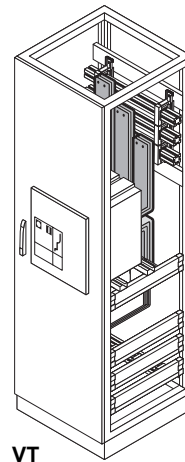
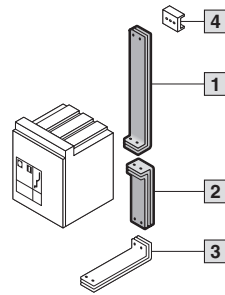
Merlin Gerin Masterpact NW		Model No. SV					Page	
Rated operating current I _e		800 A	1000 A	1250 A	1600 A	2000 A		
Static	VT	1 top	9652.033	9652.073	9652.113	9652.153	-	
		2 bottom	9652.043	9652.083	9652.123	9652.163	-	
	HT	1 top	9652.013	9652.053	9652.093	9652.133	-	
		2 bottom	9652.023	9652.063	9652.103	9652.143	-	
Rack-mounted	VT	1 top	9652.313	9652.353	9652.393	9652.433	-	
		2 bottom	9652.323	9652.363	9652.403	9652.443	-	
	HT	1 top	9652.293 ¹⁾	9652.333 ¹⁾	9652.373 ¹⁾	9652.413 ¹⁾	-	
		2 bottom	9652.303 ¹⁾	9652.343 ¹⁾	9652.383 ¹⁾	9652.423 ¹⁾	-	
Accessories		Packs of						
3	Connection bracket	1 set	9650.400	9650.410	9650.410	9650.410	-	437
4	U contact maker	3	9650.170	9650.170	9650.170	9650.170	-	437

ABB Sace Emax		Model No. SV					Page	
Rated operating current I _e		800 A	1000 A	1250 A	1600 A	2000 A		
Size		E1	-	E1	E2	E2		
Static	VT	1 top	9653.033	-	9653.073	9653.113	9653.153	
		2 bottom	9653.043	-	9653.083	9653.123	9653.163	
	HT	1 top	9653.013	-	9653.053	9653.093	9653.133	
		2 bottom	9653.023	-	9653.063	9653.103	9653.143	
Rack-mounted	VT	1 top	9653.313	-	9653.353	9653.393	9653.433 ¹⁾	
		2 bottom	9653.323	-	9653.363	9653.403	9653.443 ¹⁾	
	HT	1 top	9653.293 ¹⁾	-	9653.333 ¹⁾	9653.373 ¹⁾	9653.413 ¹⁾	
		2 bottom	9653.303 ¹⁾	-	9653.343 ¹⁾	9653.383 ¹⁾	9653.423 ¹⁾	
Accessories		Packs of						
3	Connection bracket	1 set	9650.400	-	9650.410	9650.410	9650.420	437
4	U contact maker	3	9650.170	-	9650.170	9650.170	9650.170	437

¹⁾For installation in 800 mm deep enclosures.

Rittal Ri4Power Form 1

Connection kits for rear section (3-pole), Maxi-PLS up to 3200 A



B
2.8

Rittal Ri4Power Form 1

For installation in 600 mm deep and 2000 mm high enclosures. Recommended enclosure width 800 mm.

Material:
E-Cu

Correct selection should be made according to the following criteria:

- Manufacturer, size
- Rated current I_e
- Switch version either "static installation" or "rack-mounted"
- Position of the power circuit-breaker:
VT = in door cut-out
HT = behind the door

- 1** Connection kit, top
- 2** Connection kit, bottom
- 3** Connection bracket
- 4** U contact maker

Note:
Technical modifications reserved.
Connection kits for other enclosure sizes or 4-pole systems available on request.

Delivery time:
Extended delivery times.

Siemens 3WL, Moeller IZM		Model No. SV			Page
Rated operating current I_e		2000 A	2500 A	3200 A	
Size (BG)		II	II	II	
Static	VT	1 top	9654.693	9654.273	9654.313
		2 bottom	9654.703	9654.283	9654.323
	HT	1 top	9654.713	9654.253	9654.293
		2 bottom	9654.723	9654.263	9654.303
Rack-mounted	VT	1 top	9654.653 ¹⁾	9654.593 ¹⁾	9654.633 ¹⁾
		2 bottom	9654.663 ¹⁾	9654.603 ¹⁾	9654.643 ¹⁾
	HT	1 top	9654.673 ¹⁾	9654.573 ¹⁾	9654.613 ¹⁾
		2 bottom	9654.683 ¹⁾	9654.583 ¹⁾	9654.623 ¹⁾
Accessories		Packs of			
3 Connection bracket	1 set	9650.420	9650.480	9650.480	437
4 U contact maker	3	9650.170	9650.180	9650.180	437

Mitsubishi AE-SS		Model No. SV			Page
Rated operating current I_e		2000 A	2500 A	3200 A	
Static	VT	1 top	9655.193	9655.233	9655.273
		2 bottom	9655.203	9655.243	9655.283
	HT	1 top	9655.173	9655.213	9655.253
		2 bottom	9655.183	9655.223	9655.263
Rack-mounted	VT	1 top	9655.473	9655.513 ¹⁾	9655.553 ¹⁾
		2 bottom	9655.483	9655.523 ¹⁾	9655.563 ¹⁾
	HT	1 top	9655.453 ¹⁾	9655.493 ¹⁾	9655.533 ¹⁾
		2 bottom	9655.463 ¹⁾	9655.503 ¹⁾	9655.543 ¹⁾
Accessories		Packs of			
3 Connection bracket	1 set	9650.470	9650.480	9650.480	437
4 U contact maker	3	9650.180	9650.180	9650.180	437

¹⁾ For installation in 800 mm deep enclosures.

Connection kits for rear section (3-pole), Maxi-PLS up to 3200 A

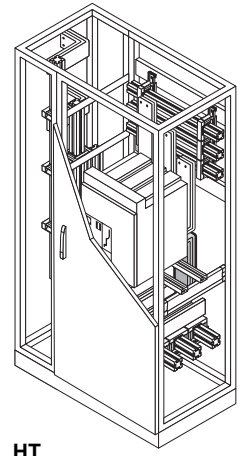
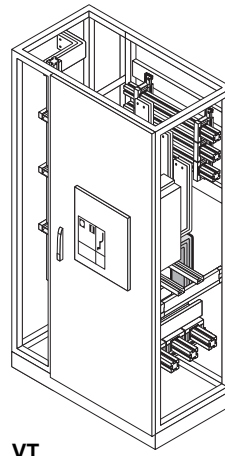
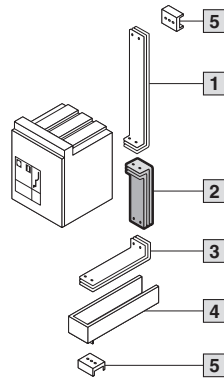
Merlin Gerin Masterpact NW		Model No. SV			Page	
Rated operating current I _e		2000 A	2500 A	3200 A		
Static	VT	1 top	9652.193	9652.233	9652.273	
		2 bottom	9652.203	9652.243	9652.283	
	HT	1 top	9652.173	9652.213	9652.253	
		2 bottom	9652.183	9652.223	9652.263	
Rack-mounted	VT	1 top	9652.473	9652.513	9652.553 ¹⁾	
		2 bottom	9652.483	9652.523	9652.563 ¹⁾	
	HT	1 top	9652.453 ¹⁾	9652.493 ¹⁾	9652.533 ¹⁾	
		2 bottom	9652.463 ¹⁾	9652.503 ¹⁾	9652.543 ¹⁾	
Accessories		Packs of				
3	Connection bracket	1 set	9650.420	9650.470	9650.480	437
4	U contact maker	3	9650.170	9650.180	9650.180	437

ABB Sace Emax		Model No. SV			Page	
Rated operating current I _e		2000 A	2500 A	3200 A		
Size (BG)		E3	E3	E3		
Static	VT	1 top	9653.193	9653.233	9653.273	
		2 bottom	9653.203	9653.243	9653.283	
	HT	1 top	9653.173	9653.213	9653.253	
		2 bottom	9653.183	9653.223	9653.263	
Rack-mounted	VT	1 top	9653.473	9653.513	9653.553 ¹⁾	
		2 bottom	9653.483	9653.523	9653.563 ¹⁾	
	HT	1 top	9653.453 ¹⁾	9653.493 ¹⁾	9653.533 ¹⁾	
		2 bottom	9653.463 ¹⁾	9653.503 ¹⁾	9653.543 ¹⁾	
Accessories		Packs of				
3	Connection bracket	1 set	9650.470	9650.470	9650.480	437
4	U contact maker	3	9650.180	9650.180	9650.180	437

¹⁾For installation in 800 mm deep enclosures.

Rittal Ri4Power Form 1

Connection kits for coupling sets – rear section (3-pole), Maxi-PLS up to 3200 A



2.8

Rittal Ri4Power Form 1

For installation in 600 mm deep and 2000 mm high enclosures. Recommended enclosure width 1000 mm.

Material:
E-Cu

Correct selection should be made according to the following criteria:

- Manufacturer, size
- Rated current I_e
- Switch version either "static installation" or "rack-mounted"
- Position of the power circuit-breaker:
VT = in door cut-out
HT = behind the door

- 1 Connection kit, top see page 430 – 433.
- 2 Connection kit, bottom for coupling section
- 3 Connection bracket
- 4 Isolator chassis
- 5 U contact maker

Note:
Technical modifications reserved.
Connection kits for other enclosure sizes or 4-pole systems available on request.

Delivery time:
Extended delivery times.

Siemens 3WL, Moeller IZM		Model No. SV				Page
Rated operating current I_e		1600 A ¹⁾	2000 A ¹⁾	2500 A	3200 A	
Size (BG)		I	II	II	II	
Static	VT 2 bottom	9654.204	9654.704	9654.284	9654.324	
	HT 2 bottom	9654.184	9654.724	9654.264	9654.304	
Rack-mounted	VT 2 bottom	9654.524²⁾	9654.664²⁾	9654.604²⁾	9654.644²⁾	
	HT 2 bottom	9654.504²⁾	9654.684²⁾	9654.584²⁾	9654.624²⁾	
Accessories		Packs of				
3 Connection bracket	1 set	9650.410	9650.420	9650.480	9650.480	437
4 Isolator chassis	1 set	9650.020	9650.020	9650.030	9650.030	437
5 U contact maker	3	9650.170	9650.170	9650.180	9650.180	437

Mitsubishi AE-SS		Model No. SV				Page
Rated operating current I_e		1600 A ¹⁾	2000 A	2500 A	3200 A	
Static	VT 2 bottom	9655.124	9655.204	9655.244	9655.284	
	HT 2 bottom	9655.104	9655.184	9655.224	9655.264	
Rack-mounted	VT 2 bottom	9655.404	9655.484	9655.524²⁾	9655.564²⁾	
	HT 2 bottom	9655.384²⁾	9655.464²⁾	9655.504²⁾	9655.544²⁾	
Accessories		Packs of				
3 Connection bracket	1 set	9650.410	9650.470	9650.480	9650.480	437
4 Isolator chassis	1 set	9650.020	9650.030	9650.030	9650.030	437
5 U contact maker	3	9650.170	9650.180	9650.180	9650.180	437

¹⁾ Installation of the power circuit-breaker is also possible in 800 mm wide enclosures.

²⁾ For installation in 800 mm deep enclosures.

Connection kits for coupling sets – rear section (3-pole), Maxi-PLS up to 3200 A

Merlin Gerin Masterpact NW		Model No. SV				Page
Rated operating current I _e		1600 A ¹⁾	2000 A ¹⁾	2500 A	3200 A	
Static	VT 2 bottom	9652.164	9652.204	9652.244	9652.284	
	HT 2 bottom	9652.144	9652.184	9652.224	9652.264	
Rack-mounted	VT 2 bottom	9652.444	9652.484	9652.524	9652.564²⁾	
	HT 2 bottom	9652.424²⁾	9652.464²⁾	9652.504²⁾	9652.544²⁾	
Accessories		Packs of				
3 Connection bracket	1 set	9650.410	9650.420	9650.470	9650.480	437
4 Isolator chassis	1 set	9650.020	9650.020	9650.030	9650.030	437
5 U contact maker	3	9650.170	9650.170	9650.180	9650.180	437

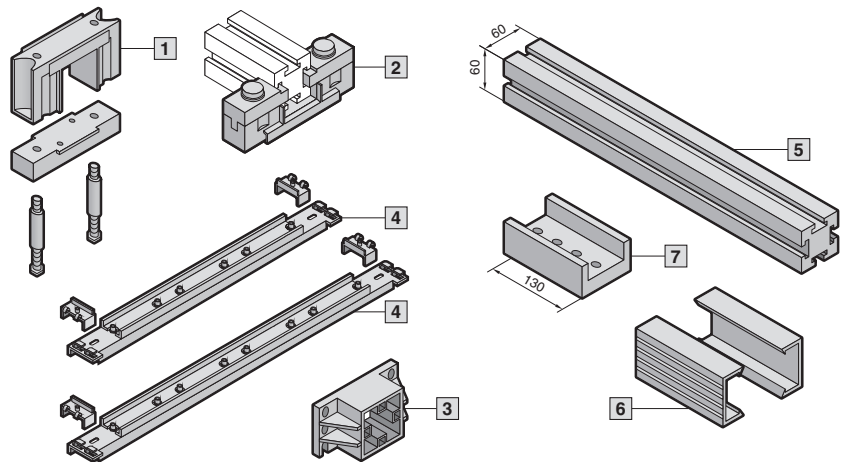
ABB Sace Emax		Model No. SV				Page	
Rated operating current I _e		1600 A	2000 A		2500 A	3200 A	
Size (BG)		E2 ¹⁾	E2 ¹⁾	E3	E3	E3	
Static	VT 2 bottom	9653.124	9653.164	9653.204	9653.244	9653.284	
	HT 2 bottom	9653.104	9653.144	9653.184	9653.224	9653.264	
Rack-mounted	VT 2 bottom	9653.404	9653.444²⁾	9653.484	9653.524	9653.564²⁾	
	HT 2 bottom	9653.384²⁾	9653.424²⁾	9653.464²⁾	9653.504²⁾	9653.544²⁾	
Accessories		Packs of					
3 Connection bracket	1 set	9650.410	9650.420	9650.470	9650.470	9650.480	437
4 Isolator chassis	1 set	9650.020	9650.020	9650.030	9650.030	9650.030	437
5 U contact maker	3	9650.170	9650.170	9650.180	9650.180	9650.180	437

¹⁾ Installation of the power circuit-breaker is also possible in 800 mm wide enclosures.

²⁾ For installation in 800 mm deep enclosures.

Rittal Ri4Power Form 1

System components, Maxi-PLS up to 3200 A



Material:
 Busbar support, end support,
 end cover: PA 6.6
 System attachment:
 Stainless steel
 Cover section: Hard PVC

Detailed drawing,
 see page 1250.

Note:
 PE/PEN combination/busbars,
 see page 409.

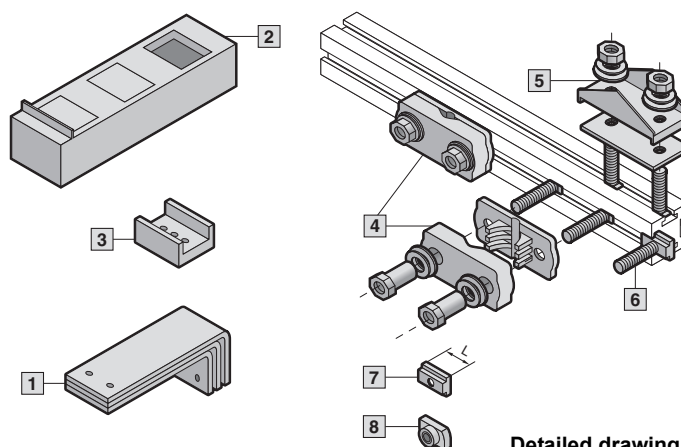
Rittal Ri4Power Form 1

2.8

Maxi-PLS system components				3-pole		4-pole	
				Packs of	Model No. SV	Packs of	Model No. SV
1	Busbar support	3	9650.000	3 + 1	9650.000 9659.000		
2	Busbar support, suitable for top mounting	3	9650.160	3	9650.160		
3	End support	6	9650.010	6 + 2	9650.010 9659.010		
4	System attachment for installing the busbar supports.						
	For enclosures	Enclosure depth mm	Bar centre distance mm				
	TS (roof section)	600	150	2	9650.100	–	–
		800	150	2	9650.120	2	9650.080
	TS (rear section)	–	185	2	9650.150	–	–
		–	150	–	–	2	9650.090
6	Cover section for clip-on mounting on the Maxi-PLS busbars, length 1000 mm.						
7	Longitudinal connector E-Cu for simple baying connection of the Maxi-PLS busbars. Including sliding blocks, bolts, washers and nuts.						
				3	9650.190	3 + 1	9650.190 9659.190
	End cover for clip-on mounting on the end surface of Maxi-PLS busbars.						
				6	9650.060	6 + 2	9650.060 9659.060
	Stabiliser to increase short-circuit resistance (I_{cw} up to 120 kA).						
				4 ²⁾	9650.140	–	–
5	Maxi-PLS busbars E-Cu (special lengths available on request).						
	Length mm	For enclosure width mm	For application ¹⁾			3200 A	
	491	600	A	1	9650.201		
	525	600	B	1	9650.211		
	599	600	C	1	9650.221		
	691	800	A	1	9650.231		
	725	800	B	1	9650.241		
	799	800	C	1	9650.251		
	891	1000	A	1	9650.261		
	925	1000	B	1	9650.271		
	999	1000	C	1	9650.281		
	1091	1200	A	1	9650.291		
	1125	1200	B	1	9650.301		
	1199	1200	C	1	9650.311		
	2400	–	–	3	9650.360		
	2400	–	–	4	9659.360		

¹⁾ A = Cable connection system with end support
 B = Left-hand or right-hand end enclosure in a switchgear installation
 C = Bayed enclosure with panels bayed on the left and right
²⁾ Modules for two complete stabilisers

Connection components, Maxi-PLS up to 3200 A



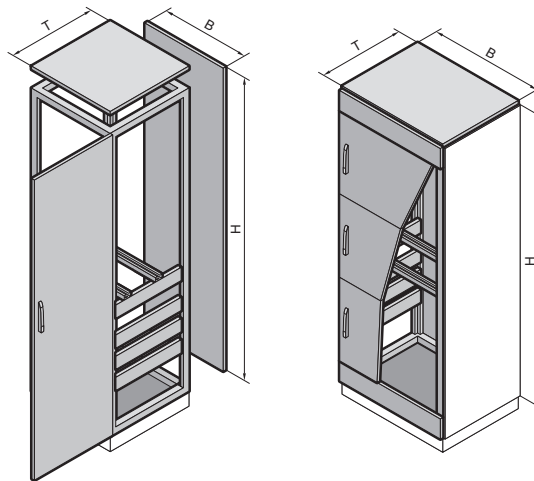
Detailed drawing, see page 1251.

Maxi-PLS connection components			3-pole		4-pole	
			Packs of	Model No. SV	Packs of	Model No. SV
1 Connection bracket E-Cu Transition from the main busbar system to the connection kits.						
For enclosure depth mm	Width mm	Number of brackets per phase				
600	60	1	1 set	9650.400	–	–
600	60	2	1 set	9650.410	–	–
600	60	3	1 set	9650.420	–	–
800	60	1	1 set	9650.430	1 set	9659.400
800	60	2	1 set	9650.440	1 set	9659.410
800	60	3	1 set	9650.450	1 set	9659.420
600	100	1	1 set	9650.460	–	–
600	100	2	1 set	9650.470	–	–
600	100	3	1 set	9650.480	–	–
800	100	1	1 set	9650.490	1 set	9659.460
800	100	2	1 set	9650.500	1 set	9659.470
800	100	3	1 set	9650.510	1 set	9659.480
2 Isolator chassis for isolated routing of the connection brackets. Material: PA 6.6, black, including assembly parts.						
Bar centre distance mm		For connection bracket width mm				
150		60	1 set	9650.020	1 set	9659.020
150		100	1 set	9650.030	1 set	9659.030
3 U contact maker E-Cu for contacting the connection brackets to the Maxi-PLS busbars. Including sliding blocks.						
60 mm width			3	9650.170	3 + 1	9650.170 9659.170
100 mm width			3	9650.180	3 + 1	9650.180 9659.180
4 Connection clamp for the connection of round conductors 95 to 300 mm ² (multi-wire and sector). Including assembly parts.						
90 mm width			3	9650.320	3	9650.320
5 Connection plates for the connection of laminated flat copper bars. Including assembly parts.						
Maximum clamping area						
2 x 10 x 32 x 1 mm			3	9650.330	3	9650.330
2 x 10 x 63 x 1 mm			3	9650.340	3	9650.340
2 x 10 x 100 x 1 mm			3	9650.350	3	9650.350
6 Terminal stud for connecting cables with ring terminals. Including sliding blocks.						
Thread		Length				
M12		32 mm	3	9650.370	3	9650.370
M16		32 mm	3	9650.380	3	9650.380
7 Sliding blocks for sliding into the Maxi-PLS busbar section at the sides.						
Thread		Length (L)				
M10		25 mm	15	9650.980	15	9650.980
M12		35 mm	15	9650.990	15	9650.990
8 Sliding nuts for retrospective insertion into the Maxi-PLS busbar section.						
Thread						
M6			15	9650.900	15	9650.900
M10			15	9650.910	15	9650.910
M12			15	9650.920	15	9650.920
Threaded bolts for individual connection options ¹⁾ . Including plain washers, spring lock washers and nuts.						
Thread		Length				
M6		35 mm	6	9650.930	6	9650.930
M10		35 mm	6	9650.940	6	9650.940
M12		80 mm	6	9650.960	6	9650.960

¹⁾ Sliding blocks or sliding nuts are additionally required for attachment.

Rittal Ri4Power Form 1

SV-TS 8 enclosures for incoming/outgoing circuit



2.8

Rittal Ri4Power Form 1

Pre-assembled for direct installation of power circuit-breakers

Material:

Sheet steel
Enclosure frame, roof, rear panel and gland plates: 1.5 mm
Door: 2.0 mm

Surface finish:

Enclosure frame:
Dipcoat-primed
Door, roof and rear panel:
Dipcoat-primed, powder-coated in textured RAL 7035 on the outside
Gland plates: Zinc-plated

Supply includes:

Enclosure frame with fitted punched section without mounting flange for Maxi-PLS end support attachment and fitted system support rails for power circuit-breaker attachment; door(s), roof, rear panel, gland plates (three-piece).

Detailed drawing, see page 1253.

Technical information, see page 1254.

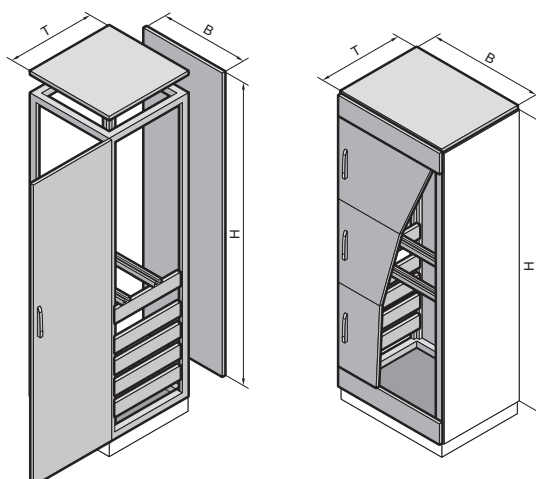
For Maxi-PLS	Packs of	3-pole				Page	
		1600 A/2000 A		3200 A			
Width (B) mm		600		800			
Height (H) mm		2000		2000			
Depth (T) mm		600		600			
Model No. SV	1	9660.665	9660.675	9660.865	9660.875		
Door(s)		1	3	1	3		
Approximate weight (kg)		78	78	88	88		
Base/plinth							
Components front and rear	Height 100 mm	1 set	8601.600	8601.600	8601.800	8601.800	893
	Height 200 mm	1 set	8602.600	8602.600	8602.800	8602.800	893
Trim panels (sides)	Height 100 mm	1 set	8601.060	8601.060	8601.060	8601.060	893
	Height 200 mm	1 set	8602.060	8602.060	8602.060	8602.060	893
Accessories							
Cable clamp rails	2	4191.000	4191.000	4192.000	4192.000	1061	
Cable entry plates ¹⁾	2	8800.060	8800.060	8800.080	8800.080	1045	
Side panels	2	8106.235	8106.512	8106.235	8106.512	917, 942	
Roof plates, vented ²⁾	1	9660.235	9660.235	9660.245	9660.245	455	
Roof plates with pressure relief function ²⁾	1	9660.935	9660.935	9660.945	9660.945	455	
Cover attachment	8	-	9660.680	-	9660.680	453	
Device module		■	■	■	■	450	
Contact hazard protection cover		■	■	■	■	451	
Mounting angle	24	9660.090	9660.090	9660.090	9660.090	453	
Lock systems							

Standard double-bit lock insert may be exchanged for lock inserts, type F, see page 956 and comfort handle, see page 947 – 948.

¹⁾ Cable entry grommets, see page 1046.

²⁾ In exchange for the standard TS roof.

SV-TS 8 enclosures for incoming/outgoing circuit



Pre-assembled for direct installation of power circuit-breakers

Material:

Sheet steel
Enclosure frame, roof, rear panel and gland plates: 1.5 mm
Door: 2.0 mm

Surface finish:

Enclosure frame:
Dipcoat-primed
Door, roof and rear panel:
Dipcoat-primed, powder-coated in textured RAL 7035 on the outside
Gland plates: Zinc-plated

Supply includes:

Enclosure frame with fitted punched section without mounting flange for Maxi-PLS end support attachment and fitted system support rails for power circuit-breaker attachment; door(s), roof, rear panel, gland plates (three-piece).

Detailed drawing,
see page 1253.

Technical information,
see page 1254.

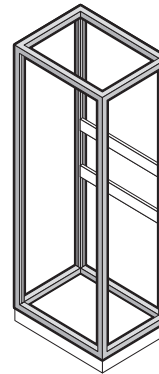
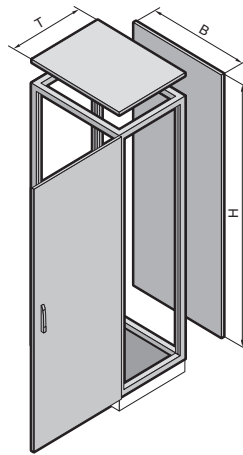
For Maxi-PLS	Packs of	4-pole				Page	
		1600 A/2000 A		3200 A			
Width (B) mm		800		800			
Height (H) mm		2000		2000			
Depth (T) mm		600		800			
Model No. SV	1	9649.625	9649.635	9659.625	9659.635		
Door(s)		1	3	1	3		
Approximate weight (kg)		90	90	100	100		
Base/plinth							
Components front and rear	Height 100 mm	1 set	8601.800	8601.800	8601.800	8601.800	893
	Height 200 mm	1 set	8602.800	8602.800	8602.800	8602.800	893
Trim panels (sides)	Height 100 mm	1 set	8601.060	8601.060	8601.080	8601.080	893
	Height 200 mm	1 set	8602.060	8602.060	8602.080	8602.080	893
Accessories							
Cable clamp rails	2	4192.000	4192.000	4192.000	4192.000	1061	
Cable entry plates ¹⁾	2	8800.080	8800.080	8800.080	8800.080	1045	
Side panels	2	8106.235	8106.512	8108.235	8108.512	917, 942	
Roof plates, vented ²⁾	1	9660.245	9660.245	9659.535	9659.535	455	
Roof plates with pressure relief function ²⁾	1	9660.945	9660.945	–	–	455	
Cover attachment	8	–	9660.680	–	9660.680	453	
Device module		■	■	■	■	450	
Contact hazard protection cover		■	■	■	■	451	
Mounting angle	24	9660.090	9660.090	9660.090	9660.090	453	
Lock systems							
Standard double-bit lock insert may be exchanged for lock inserts, type F, see page 956 and comfort handle, see page 947 – 948.							

¹⁾ Cable entry grommets, see page 1046.

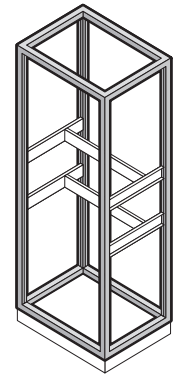
²⁾ In exchange for the standard TS roof.

Rittal Ri4Power Form 1

SV-TS 8 enclosures for Rittal NH fused isolators



1 Mounting in rear section



2 Mounting in centre section

Material:

Sheet steel
Enclosure frame, roof, rear panel and gland plates: 1.5 mm
Door: 2.0 mm

Surface finish:

Enclosure frame:
Dipcoat-primed
Door, roof and rear panel:
Dipcoat-primed, powder-coated in textured RAL 7035 on the outside
Gland plates: Zinc-plated

Supply includes:

Enclosure frame, door, roof, rear panel, gland plates (three-piece), TS punched sections with mounting flanges.

Technical information, see page 1255.

Maxi-PLS 1 For mounting in the rear section	Packs of	3-pole/4-pole						Page
		1600 A/2000 A/3200 A						
Width (B) mm		600	600	600	800	800	800	
Height (H) mm		2000	2000	2000	2000	2000	2000	
Depth (T) mm		500	600	800	500	600	800	
Model No. SV	1	9660.505 ¹⁾	9660.605 ¹⁾	9660.805 ¹⁾	9660.535 ¹⁾	9660.635 ¹⁾	9660.835 ¹⁾	
Technical specifications correspond to Model No. TS		8605.500	8606.500	8608.500	8805.500	8806.500	8808.500	144 – 146
Door		1	1	1	1	1	1	
Approximate weight (kg)		74.0	76.0	83.0	88.4	92.6	99.1	

Base/plinth									
Components front and rear	Height 100 mm	1 set	8601.600	8601.600	8601.600	8601.800	8601.800	8601.800	893
	Height 200 mm	1 set	8602.600	8602.600	8602.600	8602.800	8602.800	8602.800	893
Trim panels (sides)	Height 100 mm	1 set	8601.050	8601.060	8601.080	8601.050	8601.060	8601.080	893
	Height 200 mm	1 set	8602.050	8602.060	8602.080	8602.050	8602.060	8602.080	893

Also required

2 For mounting in the centre section									
TS punched section with mounting flange (4 per enclosure)	4	8612.550	8612.560	8612.580	8612.550	8612.560	8612.580	995	
PS punched section without mounting flange (2 per enclosure)	4	4376.000	4376.000	4376.000	4377.000	4377.000	4377.000	998	
Support bracket (4 sets per enclosure)	24 sets	4183.000	4183.000	4183.000	4183.000	4183.000	4183.000	1007	
Threaded blocks M6 (8 per enclosure)	50	4162.000	4162.000	4162.000	4162.000	4162.000	4162.000	1010	

Accessories

Cable clamp rails	2	4191.000	4191.000	4191.000	4192.000	4192.000	4192.000	1061
Cable entry plates ²⁾	2	8800.060	8800.060	8800.060	8800.080	8800.080	8800.080	1045
Side panels	2	8105.235	8106.235	8108.235	8105.235	8106.235	8108.235	917
Roof plates, vented ³⁾	1	–	9660.235	9659.525	–	9660.245	9659.535	455
Roof plates with pressure relief function ³⁾	1	–	9660.935	–	–	9660.945	–	455
Cover plate, contact hazard protection ⁴⁾	1 set	–	9660.460	–	–	9660.470	–	452
Mounting angle	24	–	9660.090	–	–	9660.090	–	453
Cover panel		■	■	■	■	■	■	453
Terminal studs		■	■	■	■	■	■	454

Lock systems

Standard double-bit lock insert may be exchanged for lock inserts, type F, see page 956 and comfort handle, see page 947 – 948.

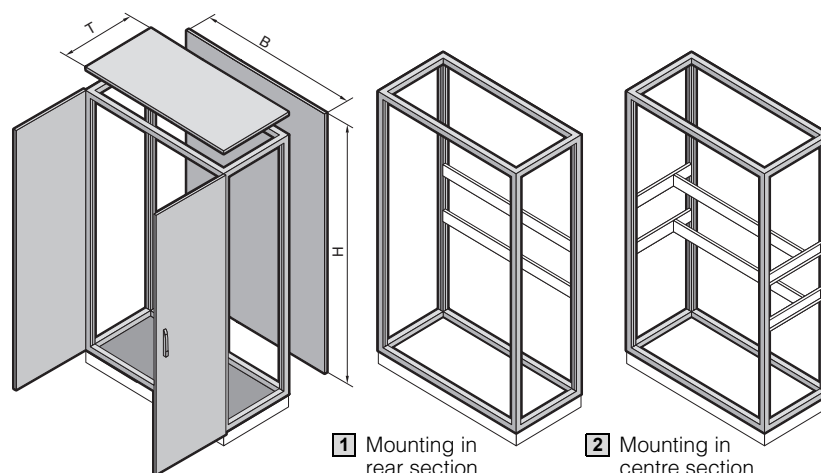
¹⁾ Without mounting plate.

²⁾ Cable entry grommets, see page 1046.

³⁾ In exchange for the standard TS roof.

⁴⁾ Only used when mounting the Maxi-PLS system in the rear section.

SV-TS 8 enclosures for Rittal NH fused isolators



Material:

Sheet steel
Enclosure frame, roof, rear panel and gland plates: 1.5 mm
Door: 2.0 mm

Surface finish:

Enclosure frame:
Dipcoat-primed
Door, roof and rear panel:
Dipcoat-primed, powder-coated in textured RAL 7035 on the outside
Gland plates: Zinc-plated

Supply includes:

Enclosure frame, door(s), roof, rear panel, gland plates (three-piece), TS punched sections with mounting flanges.

Technical information,

see page 1255.

B
2.8

Rittal Ri4Power Form 1

Maxi-PLS 1 For mounting in the rear section	Packs of	3-pole/4-pole					Page
		1600 A/2000 A/3200 A					
Width (B) mm		1000	1000	1200	1200	1200	
Height (H) mm		2000	2000	2000	2000	2000	
Depth (T) mm		500	600	500	600	800	
Model No. SV	1	9660.595 ¹⁾	9660.695 ¹⁾	9660.555 ¹⁾	9660.655 ¹⁾	9660.855 ¹⁾	
Technical specifications correspond to Model No. TS		8005.500	8006.500	8205.500	8206.500	8208.500	144 – 146
Doors		2	2	2	2	2	
Approximate weight (kg)		109.6	113.7	133.6	137.6	146.0	

Base/plinth								
Components front and rear	Height 100 mm	1 set	8601.000	8601.000	8601.200	8601.200	8601.200	893
	Height 200 mm	1 set	8602.000	8602.000	8602.200	8602.200	8602.200	893
Trim panels (sides)	Height 100 mm	1 set	8601.050	8601.060	8601.050	8601.060	8601.080	893
	Height 200 mm	1 set	8602.050	8602.060	8602.050	8602.060	8602.080	893

Also required

2 For mounting in the centre section							
TS punched section with mounting flange (4 per enclosure)	4	8612.550	8612.560	8612.550	8612.560	8612.580	995
PS punched section without mounting flange (2 per enclosure)	4	4382.000	4382.000	4378.000	4378.000	4378.000	998
Support bracket (4 sets per enclosure)	24 sets	4183.000	4183.000	4183.000	4183.000	4183.000	1007
Threaded blocks M6 (8 per enclosure)	50	4162.000	4162.000	4162.000	4162.000	4162.000	1010

Accessories

Cable clamp rails	2	4336.000	4336.000	4196.000	4196.000	4196.000	1061
Cable entry plates ²⁾	4	8800.100	8800.100	8800.120	8800.120	8800.120	1045
Side panels	2	8105.235	8106.235	8105.235	8106.235	8108.235	917
Roof plates, vented ³⁾	1	–	9660.255	–	9660.265	9659.555	455
Roof plates with pressure relief function ³⁾	1	–	9660.955	–	9660.965	–	455
Cover plate, contact hazard protection ⁴⁾	1 set	–	9660.480	–	9660.490	–	452
Mounting angle	24	–	9660.090	–	9660.090	–	453
Cover panel		■	■	■	■	■	453
Terminal studs		■	■	■	■	■	454

Lock systems

Standard double-bit lock insert may be exchanged for lock inserts, type F, see page 956 and comfort handle, see page 947 – 948.

¹⁾ Without mounting plate.

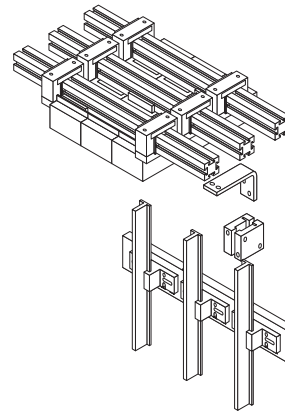
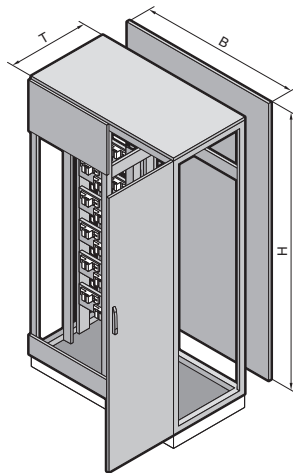
²⁾ Cable entry grommets, see page 1046.

³⁾ In exchange for the standard TS roof.

⁴⁾ Only used when mounting the Maxi-PLS system in the rear section.

Rittal Ri4Power Form 1

SV-TS 8 enclosures for NH fused isolators



B
2.8
Rittal Ri4Power Form 1

Material:
Sheet steel
Enclosure frame, roof, rear panel and gland plates: 1.5 mm
Door: 2.0 mm

Surface finish:
Enclosure frame:
Dipcoat-primed
Door, roof and rear panel:
Dipcoat-primed, powder-coated in textured RAL 7035 on the outside
Gland plates: Zinc-plated

Supply includes:
Enclosure frame with fitted support rails to accommodate the T-bar support;
door, roof, rear panel, gland plates (three-piece).

Detailed drawing,
see page 1253.
Technical information,
see page 1256.

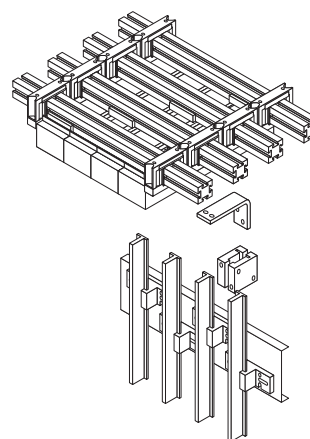
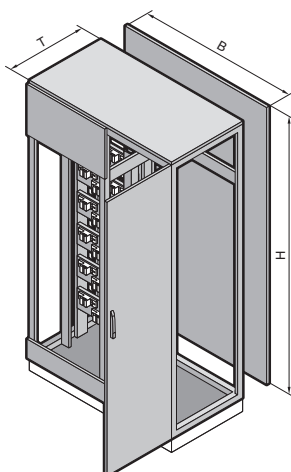
For Maxi-PLS	Packs of	3-pole				Page	
		1600 A/2000 A/3200 A					
For NH fused isolators brand		ABB SlimLine		Jean Müller SASIL			
Width (B) mm		1000	1200	1000	1200		
Height (H) mm		2000	2000	2000	2000		
Depth (T) mm		600	600	600	600		
Model No. SV	1	9660.515	9660.545	9660.415	9660.445		
Door		1	1	1	1		
Approximate weight (kg)		110	135	110	135		
Base/plinth							
Components front and rear	Height 100 mm	1 set	8601.000	8601.200	8601.000	8601.200	893
	Height 200 mm	1 set	8602.000	8602.200	8602.000	8602.200	893
Trim panels (sides)	Height 100 mm	1 set	8601.060	8601.060	8601.060	8601.060	893
	Height 200 mm	1 set	8602.060	8602.060	8602.060	8602.060	893
Maxi-PLS system components							
T-bar supports up to 800 A	T-support	3	9660.000	9660.000	9660.000	9660.000	444
	T-end support	3	9660.010	9660.010	9660.010	9660.010	444
T-bar supports up to 1600 A	T-support	3	9660.100	9660.100	9660.100	9660.100	444
	T-end support	3	9660.110	9660.110	9660.110	9660.110	444
T busbars E-Cu up to 800 A	Length 1600 mm	3	9660.030	9660.030	9660.030	9660.030	444
T busbars E-Cu up to 1600 A	Length 1600 mm	3	9660.130	9660.130	9660.130	9660.130	444
T-connection kits up to 800 A, for Maxi-PLS	2000 A	1 set	9660.050	9660.050	9660.050	9660.050	444
	3200 A	1 set	9660.070	9660.070	9660.070	9660.070	444
T-connection kits up to 1600 A, for Maxi-PLS	2000 A	1 set	9660.140	9660.140	9660.140	9660.140	444
	3200 A	1 set	9660.160	9660.160	9660.160	9660.160	444
U contact maker			■	■	■	■	423/437
Isolator chassis			■	■	■	■	423/437
Accessories							
Side panels	2		8106.512	8106.512	8106.512	8106.512	942
Cover for distributor busbar (from the isolator manufacturer's range)			ABB Model No. NHP 407062 R..		Jean Müller Model No. A 8900 101		
Roof plates, vented ¹⁾	1		9660.255	9660.265	9660.255	9660.265	455
Roof plates with pressure relief function ¹⁾	1		9660.955	9660.965	9660.955	9660.965	455
Lock systems							

Standard double-bit lock insert may be exchanged for lock inserts, type F, see page 956 and comfort handle, see page 947 – 948.

¹⁾ In exchange for the standard TS roof.

Rittal Ri4Power Form 1

SV-TS 8 enclosures for NH fused isolators



Material:
Sheet steel
Enclosure frame, roof, rear panel and gland plates: 1.5 mm
Door: 2.0 mm

Surface finish:
Enclosure frame:
Dipcoat-primed
Door, roof and rear panel:
Dipcoat-primed, powder-coated in textured RAL 7035 on the outside
Gland plates: Zinc-plated

Supply includes:
Enclosure frame with fitted support rails to accommodate the T-bar support; door, roof, rear panel, gland plates (three-piece).

Detailed drawing,
see page 1252.

Technical information,
see page 1256.

B
2.8

Rittal Ri4Power Form 1

For Maxi-PLS	Packs of	4-pole								Page
		1600 A/2000 A				3200 A				
For NH fused isolators brand		ABB SlimLine		Jean Müller SASIL		ABB SlimLine		Jean Müller SASIL		
Width (B) mm		1000	1200	1000	1200	1000	1200	1000	1200	
Height (H) mm		2000	2000	2000	2000	2000	2000	2000	2000	
Depth (T) mm		600	600	600	600	800	800	800	800	
Model No. SV	1	9649.665	9649.675	9649.645	9649.655	9659.665	9659.675	9659.645	9659.655	
Door		1	1	1	1	1	1	1	1	
Approximate weight (kg)		120	145	120	145	145	160	145	160	

Base/plinth											
Components front and rear	Height 100 mm	1 set	8601.000	8601.200	8601.000	8601.200	8601.000	8601.200	8601.000	8601.200	893
	Height 200 mm	1 set	8602.000	8602.200	8602.000	8602.200	8602.000	8602.200	8602.000	8602.200	893
Trim panels (sides)	Height 100 mm	1 set	8601.060	8601.060	8601.060	8601.060	8601.080	8601.080	8601.080	8601.080	893
	Height 200 mm	1 set	8602.060	8602.060	8602.060	8602.060	8602.080	8602.080	8602.080	8602.080	893

Maxi-PLS system components											
T-bar supports up to 800 A	T-support	3 + 1	9660.000 + 9649.100							444	
	T-end support	3 + 1	9660.010 + 9649.110							444	
T-bar supports up to 1600 A	T-support	3 + 1	9660.100 + 9659.100							444	
	T-end support	3 + 1	9660.110 + 9659.110							444	
T busbars E-Cu up to 800 A	Length 1600 mm	3 + 1	9660.030 + 9649.130							444	
T busbars E-Cu up to 1600 A	Length 1600 mm	3 + 1	9660.130 + 9659.130							444	
T-connection kits up to 800 A		1 set	9649.080	9649.080	9649.140	9649.140	9659.080	9659.080	9659.140	9659.140	444
T-connection kits up to 1600 A		1 set	9649.090	9649.090	9649.150	9649.150	9659.090	9659.090	9659.150	9659.150	444
U contact maker		3 + 1	9640.170 + 9649.170				9650.170 + 9659.170				423/437
Isolator chassis		1 set	9649.020	9649.020	9649.020	9649.020	9659.020	9659.020	9659.020	9659.020	423/437

Accessories											
Side panels		2	8106.512	8106.512	8106.512	8106.512	8108.512	8108.512	8108.512	8108.512	942
Cover for distributor busbar (from the isolator manufacturer's range)			ABB Model No. NHP 407062 R..		Jean Müller Model No. A 8900 101		ABB Model No. NHP 407062 R..		Jean Müller Model No. A 8900 101		
Roof plates, vented ¹⁾		1	9660.255	9660.265	9660.255	9660.265	9659.545	9659.555	9659.545	9659.555	455
Roof plates with pressure relief function ¹⁾		1	9660.955	9660.965	9660.955	9660.965	-	-	-	-	455

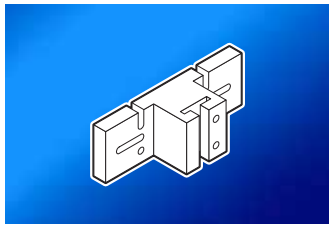
Lock systems

Standard double-bit lock insert may be exchanged for lock inserts, type F, see page 956 and comfort handle, see page 947 – 948.

¹⁾ In exchange for the standard TS roof.

Rittal Ri4Power Form 1

System components for NH fused isolator panels

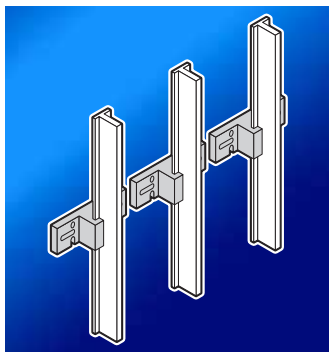


T-bar supports

Rated current up to	Design	3-pole		4-pole				
		Packs of	Model No. SV	Packs of	Model No. SV	Packs of	Model No. SV	
800 A	T-support	3	9660.000	3	9660.000	+	1	9649.100
	T-end support	3	9660.010	3	9660.010	+	1	9649.110
1600 A	T-support	3	9660.100	3	9660.100	+	1	9659.100
	T-end support	3	9660.110	3	9660.110	+	1	9659.110

Material:
PA 6.6

Detailed drawing,
see page 1252.



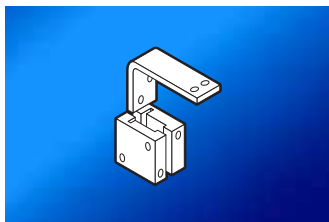
T-busbars E-Cu

10 mm knife edge

Rated current up to	Length mm	3-pole		4-pole				
		Packs of	Model No. SV	Packs of	Model No. SV	Packs of	Model No. SV	
800 A	1600	3	9660.030	3	9660.030	+	1	9649.130
1600 A	1600	3	9660.130	3	9660.130	+	1	9659.130

Detailed drawing,
see page 1252.

Technical information,
see page 1256.



T-connection kits

800 A/1600 A

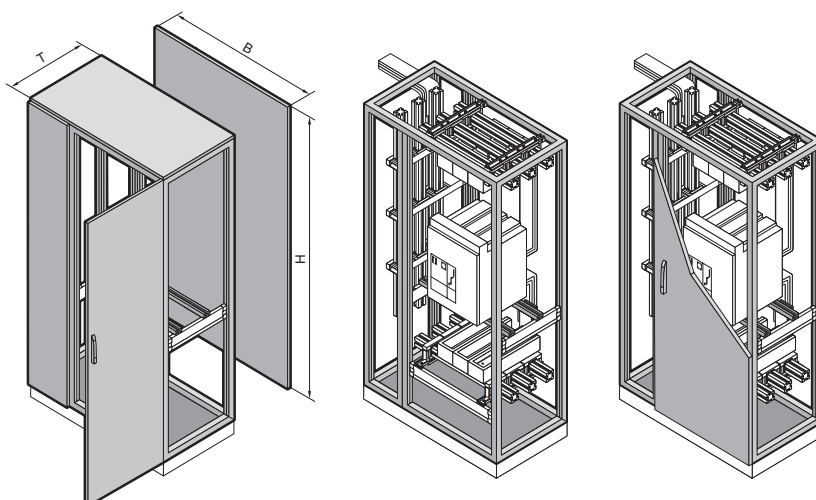
For NH fused isolator brands ABB and Jean Müller

Material:
E-Cu

For Maxi-PLS	Packs of	3-pole				4-pole		Page	
		2000 A		3200 A		2000 A	3200 A		
For enclosure depth mm		500	600	600	600	800	600	800	
Bar centre distance mm		100	100	150	150	150	100	150	
For T-busbars up to 800 A									
For ABB SlimLine Model No. SV	1 set	9660.040	9660.050	9660.060	9660.070	9660.080	9649.080	9659.080	
For Jean Müller SASIL Model No. SV	1 set	9660.040	9660.050	9660.060	9660.070	9660.080	9649.140	9659.140	
For T-busbars up to 1600 A									
For ABB SlimLine Model No. SV	1 set	–	9660.140	9660.150	9660.160	9660.170	9649.090	9659.090	
For Jean Müller SASIL Model No. SV	1 set	–	9660.140	9660.150	9660.160	9660.170	9649.150	9659.150	
Accessories									
U contact maker	3 + 1	9640.170 –	9640.170 –	9640.170 –	9650.170 –	9650.170 –	9640.170 9649.170	9650.170 9659.170	423/437
Isolator chassis	1 set	9640.020	9640.020	9650.020	9650.020	9650.020	9649.020	9659.020	423/437

Rittal Ri4Power Form 1

SV-TS 8 enclosures for coupling sets



Material:

Sheet steel
Enclosure frame, roof, rear panel and gland plates: 1.5 mm
Door: 2.0 mm

Surface finish:

Enclosure frame:
Dipcoat-primed
Door, roof and rear panel:
Dipcoat-primed, powder-coated in textured RAL 7035 on the outside
Gland plates: Zinc-plated

Supply includes:

Enclosure frame with fitted system support rails for attaching the power circuit-breaker; door, roof, rear panel, gland plates (three-piece).

Detailed drawing,
see page 1252.

Technical information,
see page 1257.

B
2.8

Rittal Ri4Power Form 1

For Maxi-PLS	Packs of	3-pole			4-pole			Page
		1600 A	2000 A	3200 A	1600 A	2000 A	3200 A	
Width (B) mm		800	1000	1000	1000	1000		
Height (H) mm		2000	2000	2000	2000	2000		
Depth (T) mm		600	600	600	600	800		
Model No. SV	1	9660.305	9660.355	9649.685	9659.695			
Door		1	1	1	1	1		
Approximate weight (kg)		145	175	165	195			

Base/plinth

Components front and rear	Height	1 set	8601.800	8601.000	8601.000	8601.000	893
	100 mm						
	200 mm		8602.800	8602.000	8602.000	8602.000	893
Trim panels (sides)	100 mm	1 set	8601.060	8601.060	8601.060	8601.080	893
	200 mm	1 set	8602.060	8602.060	8602.060	8602.080	893

Maxi-PLS system components

Coupling sets, vertical (Maxi-PLS in the roof section)	1 set	9660.325	9660.320	9660.370	9649.705	9649.700	9659.700	446
Coupling sets, vertical (Maxi-PLS in the rear section)	1 set	9660.315	9660.310	9660.360	–	–	–	446
Maxi-PLS busbars, E-Cu	1	9640.216	9640.211	9650.241	9640.246	9640.241	9650.241	422/436
System attachment (Maxi-PLS in the roof section)	for coupling set ¹⁾	2	9640.070	9650.070	9649.070	9659.070	446	
	for busbars ¹⁾	2	9640.120	9650.100	9640.080	9650.080	422/436	
System attachment (Maxi-PLS in the rear section)	for coupling set ¹⁾	2	9640.070	9650.070	9649.070	9659.070	446	
	for system rear ²⁾	2	9640.150	9650.150	9640.090	9650.090	422/436	
	for system bottom ²⁾	2	9640.120	9650.100	9640.080	9650.080	422/436	

Accessories

Side panels	2	8106.235	8106.235	8106.235	8108.235	917
Roof plates, vented ³⁾	1	9660.245	9660.255	9660.255	9659.545	455
Roof plates with pressure relief function ³⁾	1	9660.945	9660.955	9660.955	–	455
Device module		■	■	■	■	450
Mounting angle	24	9660.090	9660.090	9660.090	9660.090	453

Lock systems

Standard double-bit lock insert may be exchanged for lock inserts, type F, see page 956 and comfort handle, see page 947 – 948.

¹⁾ 2 packs required per system configuration.

²⁾ 1 pack required per system configuration.

³⁾ In exchange for the standard TS roof.

Rittal Ri4Power Form 1

System components for coupling sets



Coupling sets

vertical

For installation in 600/800 mm deep SV-TS 8 enclosures for coupling sets.

Coupling sets should be selected according to the rated current I_e of the primary busbars to be coupled:

- Coupling set 1600 A:
 $I_e \leq 1900$ A
- Coupling set 2000 A:
 $I_e \leq 2500$ A
- Coupling set 3200 A:
 $I_e 2000 \text{ A} \leq 3200$ A

Supply includes:

3-pole

3 Maxi-PLS busbars E-Cu,
1 set of connection brackets E-Cu, top (L1 – L3),
1 set of connection brackets E-Cu, bottom (L1 – L3),
assembly parts.

4-pole

4 Maxi-PLS busbars E-Cu,
1 set of connection brackets E-Cu, top (L1 – L3),
1 set of connection brackets E-Cu, bottom (L1 – L3),
assembly parts.

For Maxi-PLS system in the roof area	Packs of	3-pole			4-pole			Page
		1600 A	2000 A	3200 A	1600 A	2000 A	3200 A	
Model No. SV	1 set	9660.325	9660.320	9660.370	9649.705	9649.700	9659.700	

Also required

Sliding block	15	9640.980 ¹⁾	9640.980 ¹⁾	9650.990 ¹⁾	9640.980 ²⁾	9640.980 ²⁾	9650.990 ²⁾	423/437
System attachment for enclosure depth	600 mm	2	9640.070	9640.070	9650.070	9649.070	9649.070	446
	800 mm	2	–	–	–	–	9659.070	446
Busbar support	3	9640.000	9640.000	9650.000	9640.000	9640.000	9650.000	422/436
	1	–	–	–	9649.000	9649.000	9659.000	422/436
End supports	6	9640.010	–	–	9640.010	9640.010	9650.010	422/436

Quantity required for system assembly

¹⁾ 24

²⁾ 32

For Maxi-PLS system in the rear section	Packs of	3-pole			Page
		1600 A	2000 A	3200 A	
Model No. SV	1 set	9660.315	9660.310	9660.360	

Also required

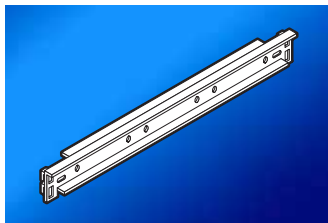
Sliding block	15	9640.980 ¹⁾	9640.980 ¹⁾	9650.990 ¹⁾	423/437
System attachment for enclosure depth	600 mm	2	9640.070	9650.070	446
	800 mm	2	–	–	446
Busbar support	3	9640.000	9640.000	9650.000	422/436
	6	9640.010	9640.010	9650.010	422/436

Quantity required for system assembly

¹⁾ 24

B
2.8

Rittal Ri4Power Form 1



System attachment

for vertical coupling set

For attaching the busbar supports – see page 422/436 – and coupling sets to the side TS frame section.

Material:

Stainless steel

For Maxi-PLS coupling section	3-pole		4-pole	
	1600 A/2000 A	3200 A	1600 A/2000 A	3200 A
Bar centre distance mm	100	150	100	150
Packs of	2	2	2	2
Model No. SV	9640.070	9650.070	9649.070	9659.070



Compact infeed, 3-pole

for Maxi-PLS busbar 1600 A/2000 A

For individual use as a 3-pole cable connection bar system. Direct mounting on the mounting plate or punched section without mounting flange.

Material:

Sheet steel, zinc-plated

Supply includes:

6 end supports,
2 support plates for end supports,
1 PS mounting rail 23 x 23 mm (length 495 mm),
mounting accessories.

Packs of	Model No. SV
1 set	9660.980



Also required:

Maxi-PLS busbars

– 1600 A, see page 422
– 2000 A, see page 422.

Note:

PS 23 x 23 mm punched rails, see page 998, must be ordered separately when using Maxi-PLS busbars that are > 491 mm long.



Compact infeed, 4-pole

for Maxi-PLS busbar 1600 A/2000 A

For individual use as a 4-pole cable connection bar system. Direct mounting on the mounting plate or punched section without mounting flange.

Material:

Sheet steel, zinc-plated

Supply includes:

8 end supports,
2 support plates for end supports,
1 PS mounting rail 23 x 23 mm (length 495 mm),
mounting accessories.

Packs of	Model No. SV
1 set	9660.984



Also required:

Maxi-PLS busbars

– 1600 A, see page 422
– 2000 A, see page 422.

Note:

PS 23 x 23 mm punched rails, see page 998, must be ordered separately when using Maxi-PLS busbars that are > 491 mm long.

Rittal Ri4Power Form 1

Mounting kit/corner connectors



Attachment set

for power circuit-breaker installation

For attaching open power circuit-breakers (ACB) to system support rails, see page 1000.

Material:
Sheet steel, zinc-plated

Supply includes:
4 threaded plates.

Packs of	Model No. SV
1 set	9660.970

B
2.8

Rittal Ri4Power Form 1



Corner connectors

E-Cu

For 90° connection of two Maxi-PLS systems in the roof area.

Material:
E-Cu

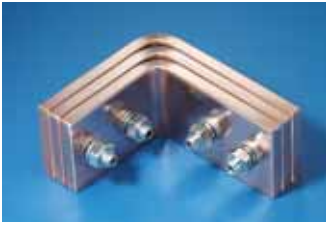
Supply includes:
Corner connector kit, threaded bolts, nuts, washers.

For Maxi-PLS in the roof area	Packs of	3-pole			4-pole			Page
		1600 A	2000 A	3200 A	1600 A	2000 A	3200 A	
Bar centre distance mm		100	100	150	100	100	150	
For enclosure depth mm		600	600	600	600	600	800	
Model No. SV	1 set	9640.715	9640.710	9650.710	9649.715	9649.710	9659.710	
Also required								
Sliding block	15	9640.980 ¹⁾	9640.980 ¹⁾	9650.990 ¹⁾	9640.980 ²⁾	9640.980 ²⁾	9650.990 ²⁾	423/437
U contact maker E-Cu	3	9640.170	9640.170	9650.180	9640.170	9640.170	9650.180	423/437
	1	–	–	–	9649.170	9649.170	9659.180	

Quantity required per kit:

¹⁾ 12

²⁾ 16



Corner brackets

E-Cu

For 90° connection of two Maxi-PLS busbars in the rear area. Also suitable for N/PE busbar connection in the lower area of the enclosure and for individual configuration.

Material:

E-Cu

Supply includes:

Bracket, threaded bolts, nuts, washers.

Note:

No. of corner connectors required for applications

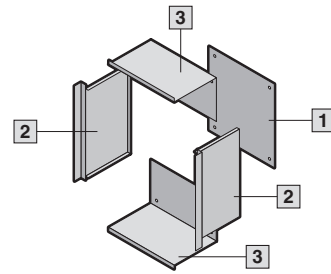
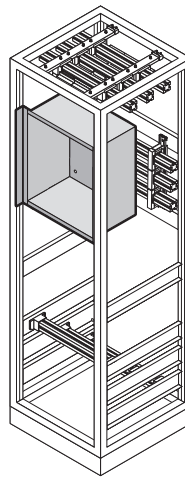
- 3-pole = 3
- 4-pole = 4

For Maxi-PLS	Packs of	3-pole/4-pole			Page
		1600 A	2000 A	3200 A	
Number of brackets per phase		2 x 60 x 10 mm	3 x 60 x 10 mm	3 x 80 x 10 mm	
Model No. SV	1	9640.705	9640.700	9650.700	
Also required					
Sliding block	15	9640.980 ¹⁾	9640.980 ¹⁾	9650.990 ¹⁾	423/437

¹⁾ Quantity required per corner bracket: 4.

Rittal Ri4Power Form 1

Device module



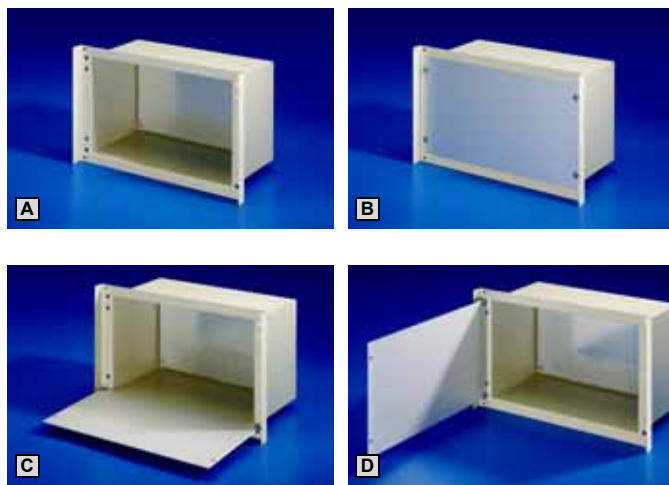
- 1 Mounting plate
- 2 Side parts
- 3 Centre parts

Note:
Please observe the manufacturer-specific data regarding the arcing space of power circuit-breakers.

For use in power circuit breaker outgoing/incoming feeder panels with a minimum depth of 600 mm.
The removable mounting plate may be used for the configuration e.g. of fuses, power circuit-breakers and switchgear.

Material:
Side parts, centre parts: Sheet steel, spray-finished in RAL 7035
Mounting plate: Sheet steel, zinc-plated, passivated
Front panel: Aluminium, anodised

Supply includes:
2 side parts, 2 centre parts, connector parts, mounting plate, optional front plate.



Design		Packs of	For enclosure width 600 mm	For enclosure width 800 mm	Page
Interior dimensions, clearance width	Width mm		432	632	
	Height mm		263	263	
	Depth mm		245.5	245.5	
Mounting plate	Width mm		420	620	
	Height mm		250	250	
A Without front panel Model No. SV		1	9660.700	9660.710	
B With front panel Model No. SV		1	9660.720	9660.730	
C With front panel, horizontally hinged Model No. SV		1	9660.740	9660.750	
D With front panel, vertically hinged Model No. SV		1	9660.760	9660.770	

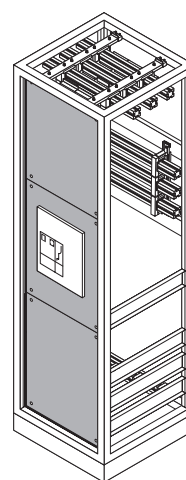
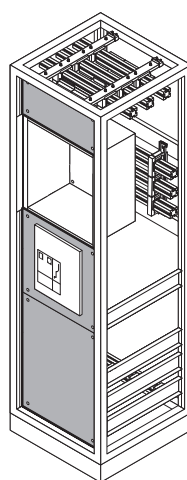
Also required

Mounting bracket	24	9660.090 ¹⁾	9660.090 ¹⁾	453
------------------	----	------------------------	------------------------	-----

¹⁾ 4 mounting brackets are required to attach a device module.

Rittal Ri4Power Form 1

Contact hazard protection cover



For SV-TS 8 enclosures with power circuit-breaker
For covering incoming or outgoing feeder panels so that they are safe from finger-contact (IP 2X).

Material:
Sheet steel, spray-finished.

Colour:
RAL 7035

Supply includes:
3 front covers.

Note:
Cut-outs for power circuit-breakers must be provided by the customer.
SV-TS 8 enclosures, see page 438/439.

Device modules,
see page 450.

Variant A:
Incoming/outgoing feeder panel with device module

Variant B:
Incoming/outgoing feeder panel without device module

		Packs of	Variant A (for enclosures with device module)		Variant B (for enclosures without device module)		Page
			600	800	600	800	
For enclosure	Width mm		600	800	600	800	
	Height mm		2000	2000	2000	2000	
For design	1 1-door Model No. SV	1 set	9660.280	9660.380	9660.780	9660.880	
	2 3-door Model No. SV	1 set	9660.290 ¹⁾	9660.390 ¹⁾	9660.790	9660.890	
Also required							
Mounting bracket		24	9660.090 ²⁾	9660.090 ²⁾	9660.090 ²⁾	9660.090 ²⁾	453

¹⁾ Including trim panel.

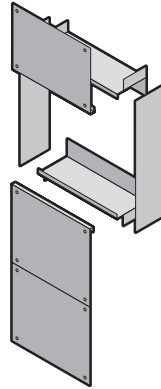
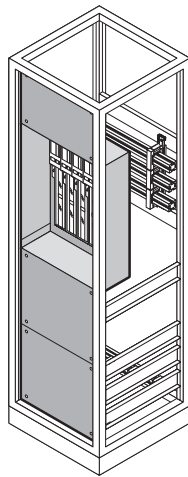
²⁾ 12 mounting brackets are required to attach the contact hazard protection cover plates.

Dimensions of the contact hazard protection cover plates

Model No. SV	Width mm	Height mm			
		Top	Middle	Bottom	Trim panel
9660.280	506	204	656	721	–
9660.290	506	246.5	567	567	20
9660.380	706	204	656	721	–
9660.390	706	246.5	567	567	20
9660.780	506	526	656	721	–
9660.790	506	567	567	567	–
9660.880	706	526	656	721	–
9660.890	706	567	567	567	–

Rittal Ri4Power Form 1

Contact hazard protection cover



For SV-TS 8 enclosures with Rittal NH fused isolators

To cover NH fused isolators in the rear enclosure area so that they are safe from finger-contact (IP 2X).

Material:
Sheet steel, spray-finished

Colour:
RAL 7035

Supply includes:
3 front covers,
2 depth covers,
2 side covers,
connector parts.

Note:
SV-TS 8 enclosures,
see page 440/441
NH fused isolators,
see page 393.

For enclosure	Width mm	Packs of	600	800	1000	1200	Page
	Height mm		2000	2000	2000	2000	
	Depth mm		600	600	600	600	
Available installation width for Rittal NH fused isolators ¹⁾ mm	without use of longitudinal connectors		500	700	900	1100	
	with use of longitudinal connectors on one side		450	650	850	1050	
	with use of longitudinal connectors on both sides		400	600	800	1000	
Model No. SV		1 set	9660.460	9660.470	9660.480	9660.490	
Also required							
Mounting bracket		24	9660.090 ²⁾	9660.090 ²⁾	9660.090 ²⁾	9660.090 ²⁾	453
Accessories							
Cover panel for NH isolators	Size 00	4	9660.180	9660.180	9660.180	9660.180	453
	Size 1 – 3	4	9660.190	9660.190	9660.190	9660.190	453

¹⁾ When using the top-mounted busbars SV 9640.160 / SV 9650.160, see page 422/436.
Longitudinal connectors SV 9640.190 / SV 9650.190 for Maxi-PLS busbars, see page 422/436.

²⁾ 12 mounting brackets are required to attach the contact hazard protection cover plates.



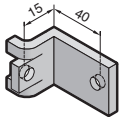
Mounting bracket

For attaching the device modules and cover plates for contact hazard protection.
Tapped hole M6.

Material:
Sheet steel, zinc-plated

Supply includes:
Assembly screws.

Packs of	Model No. SV
24	9660.090



Blanking cover

To cover free NH fused isolator slots.

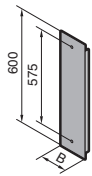
Material:
Sheet steel, spray-finished.

Colour:
RAL 7035

Supply includes:
Assembly screws.

For NH size	Width (B) mm	Packs of	Model No. SV
00	49.5	4	9660.180
1 to 3	99.5	4	9660.190

Note:
NH fused isolators,
see page 393.

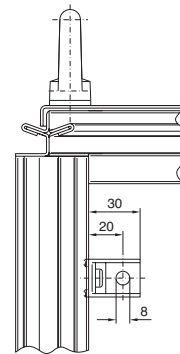


Cover attachment

For simple mounting of covers.

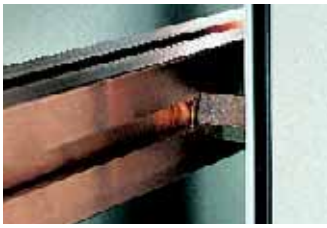
Note:
Only suitable for use in conjunction with three-door enclosures.

Packs of	Model No. SV
8	9660.680



Rittal Ri4Power Form 1

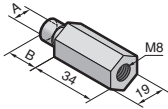
Accessories



Terminal studs

For the attachment of NH fused isolators, size 00 (Model No. SV 3591.040) – see page 393 – on Maxi-PLS busbars.

For Maxi-PLS	1600 A/ 2000 A	3200 A	Page
A	M10	M12	
B	9	12	
Packs of	3	3	
Model No. SV	9640.390	9650.390	
Also required			
Sliding blocks	9640.980	9650.990	423/437



B
28

Rittal Ri4Power Form 1

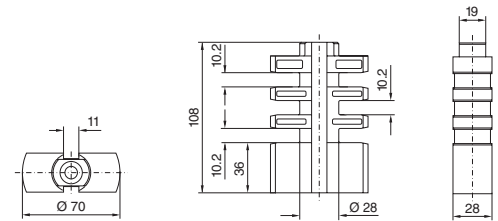


Stacking insulator

To support the connection kits top/bottom. Easily retro-fitted.

Supply includes:
Assembly parts.

Packs of	Model No. SV
6	9660.200



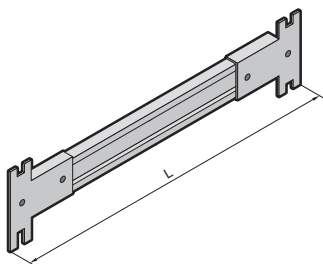
C rails

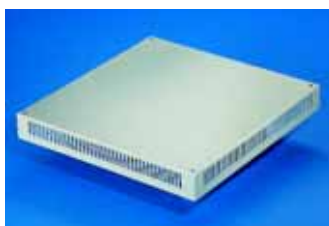
For attaching the stacking insulator to the TS frame section.

Material:
Sheet steel, zinc-plated, passivated

Supply includes:
4 C rails,
8 clamps,
assembly parts.

For TS enclosures		Length (L) mm	Packs of	Model No. SV
Width mm	Depth mm			
600	600	600	4	9660.210
800	800	800	4	9660.220





Roof plates, vented

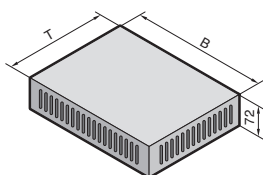
In exchange for the standard SV-TS roof.
All-round vent slots

Material:
Sheet steel, spray-finished

Colour:
RAL 7035

Protection category:
IP 2X

Supply includes:
Assembly parts.



For TS enclosures		Packs of	Model No. SV
Width (B) mm	Depth (T) mm		
600	600	1	9660.235
	800	1	9659.525
800	600	1	9660.245
	800	1	9659.535
1000	600	1	9660.255
	800	1	9659.545
1200	600	1	9660.265
	800	1	9659.555



Roof plates

with pressure relief function

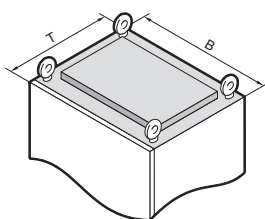
In exchange for the standard SV-TS roof.
Roof plates with pressure relief function to IEC 60 439-1, supplement 2 (special test): "Procedure for testing under accidental arc conditions".

Material:
Sheet steel, spray-finished

Colour:
RAL 7035

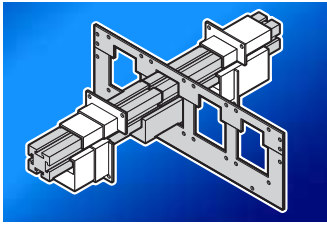


For TS enclosures		Packs of	Model No. SV
Width (B) mm	Depth (T) mm		
400	600	1	9671.446
400	800	1	9671.448
600	600	1	9660.935
600	800	1	9671.468
800	600	1	9660.945
800	800	1	9671.488
1000	600	1	9660.955
1200	600	1	9660.965



Rittal Ri4Power Form 1

Accessories



Busbar gland

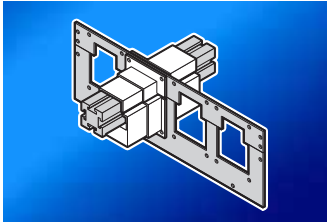
Exceeds the requirements of BGV A3 in conjunction with the divider panel and the divider panel modules.

Material:
PA 6.6

Supply includes:
Assembly parts.

Note:

The busbar gland may also be used as a cover for the longitudinal connectors.



For Maxi-PLS	Packs of	For use without longitudinal connectors Model No. SV	For use with longitudinal connectors Model No. SV	
1600 A/2000 A	1 set	9640.600¹⁾	9640.610²⁾	–
3200 A	1 set	9650.600¹⁾	–	9650.610²⁾
Also required				
Busbar gland	1 set	–	9640.600²⁾	9650.600²⁾

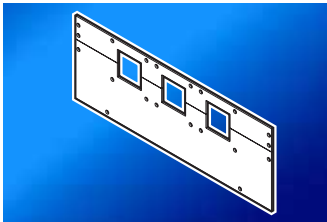
Required number of packs for system configuration

¹⁾ 3-pole = 6 packs

4-pole = 8 packs

²⁾ 3-pole = 3 packs

4-pole = 4 packs

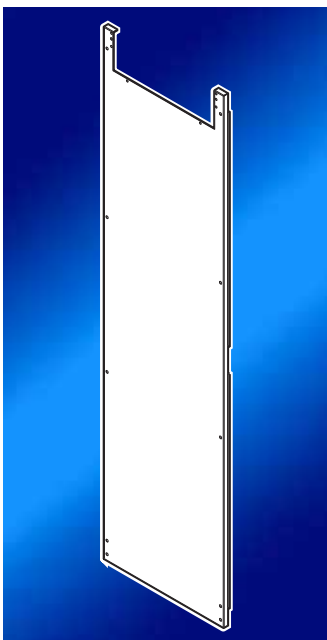
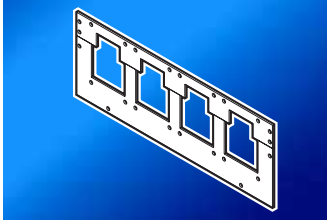


Divider panel modules

For Maxi-PLS		For enclosure depth mm	Bar centre distance mm	Packs of	For use without longitudinal connectors Model No. SV	For use with longitudinal connectors Model No. SV
1600 A/ 2000 A	3-pole	600	100	1 set	9640.620	9640.630
	3-pole	–	185	1 set	9640.640	9640.650
	4-pole	600	100	1 set	9649.600	9649.610
3200 A	3-pole	600	150	1 set	9650.620	9650.630
	3-pole	–	185	1 set	9650.640	9650.650
	4-pole	800	150	1 set	9659.600	9659.610

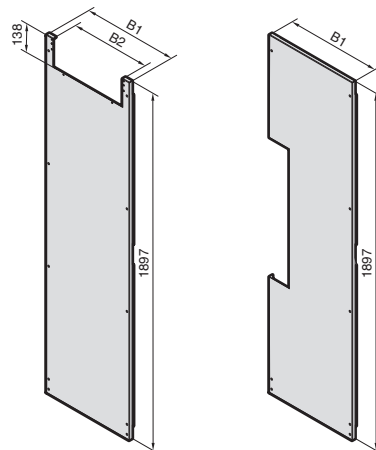
Material:
PA 6.6

Supply includes:
Assembly parts.



Divider panel

For side shielding from neighbouring panels. In conjunction with the busbar gland and the divider panel modules, as a preventive measure to prevent arcing.



1 For TS enclosures with Maxi-PLS busbars in the roof section

For TS enclosures		B1 mm	B2 mm	Packs of	Model No. SV
Depth mm	Height mm				
600	2000	502	418	1	9660.620
800	2000	702	618	1	9659.590

2 For TS enclosures with Maxi-PLS busbars in the rear section

For TS enclosures		B1 mm	Packs of	Model No. SV
Depth mm	Height mm			
600	2000	502	1	9660.610
800	2000	702	1	9659.580

Material:

Sheet steel, 1.5 mm, zinc-plated

Supply includes:

Assembly parts.

ISV distribution enclosure up to 630 A/up to 1600 A

The “one-stop supplier” concept has positive advantages. Easier planning and procurement with one partner, faster installation thanks to coordinated systems, which in turn translates into reduced labour and investment costs.

ISV-TS 8 enclosure system

- Bayable with all TS 8 enclosures of the same height and depth
- Pre-configured
- Flexible interior installation with the TS 8 enclosure accessories range, such as doors, lock systems, partial mounting plates, climate control components
- Optional door hinging on l/h or r/h side
- Suitable for component mounting as an incoming or outgoing feeder panel, depending on requirements
- Cable entry freely selectable depending on the enclosure configuration

ISV-AE wall-mounted distributor

- Based on AE standard enclosures
- For industrial applications with a high protection category

ISV modules

- Pitch pattern 150 x 250 mm (H x W)
- Rapid assembly system facilitates precise position of the modules in the ISV-TS 8 enclosure
- Cover is prepared for a lead seal

SV components

- Fully available for population with Rittal components, such as
- NH on-load isolators
 - Bus-mounting fuse bases
 - Connection components
 - Optional busbar installation with SV busbar systems up to 1600 A (185 mm bar centre distance) or Rittal Maxi-PLS up to 2000 A



B
2.9

Rittal Ri4Power Form 1

Systematic fast assembly



The ISV enclosure system, with its pre-configured mounting level, is perfectly prepared for mounting the installation modules.



The required modules may be screw-fastened directly to the mounting levels without any further accessories.



The matching contact hazard protection cover plates inside the enclosure guard against accidental contact with live parts.

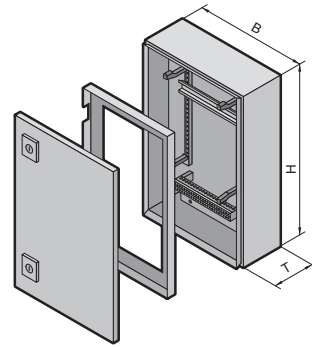


ISV-AE wall-mounted distributor

Suitable for wall mounting (surface mounting). Prepared for the direct installation of ISV installation modules.

Rittal Ri4Power Form 1

ISV wall-mounted distributors based on compact enclosures AE



B
2.9

Rittal Ri4Power Form 1

Suitable for wall mounting (surface mounting). Prepared for the direct installation of ISV installation modules.

Material:
Sheet steel

Surface finish:
Enclosure and door:
Dipcoat-primed, powder-coated in textured RAL 7035 on the outside
Support plate: Zinc-plated
Contact hazard protection frame: Sheet steel, textured RAL 7035

Protection category:
IP 55 for solid door.

Supply includes:
Enclosure of all-round solid construction, single-door:
R/h door hinge, may be swapped to opposite side (except with SV 9665.855), with one cam lock, foamed-in door seal, support plate to accommodate the ISV modules.

Note:
Please note the mounting depths of the various enclosure designs when selecting modules.

Detailed drawing,
see page 1260.

Width (B) mm	Packs of	380	500	600	600	600	1000	Page
Height (H) mm		600	700	760	1000	1200	1200	
Depth (T) mm		210	250	210	250	300	300	
Width unit (WU) ¹⁾		1	1	2	2	2	3	
Height unit (U) ²⁾		3	4	4	6	7	7	
Max. pitch units		36	48	96	144	168	252	
Model No. SV	1	9665.805	9665.815	9665.825	9665.835	9665.845	9665.855	
Technical specifications correspond to Model No. AE		1038.500	1057.500	1076.500	1090.500	1260.500	1213.500	129/130
Door(s)		1	1	1	1	1	2	

Accessories								
Self-tapping screws	300	-	-	-	-	2487.000	2487.000	1011
Base/plinth	Height 100 mm	1	-	-	-	2816.200	2801.200	901
	Height 200 mm	1	-	-	-	2826.200	2802.200	901
Eyebolts	4	-	-	-	-	2509.000	2509.000	974
Stainless steel rain canopy								969
Gland plates								1048 - 1053
ISV expansion modules								461 - 468
ISV accessories								469/470

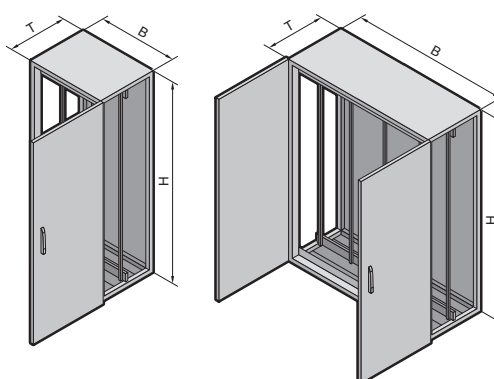
Lock systems

Standard double-bit lock insert may be exchanged for 27 mm lock inserts, type A, see page 956, lock cylinder insert, plastic handles and T handles, type B, see page 954 - 957.

¹⁾ 1 width unit (WU) \cong 250 mm

²⁾ 1 U \cong 150 mm

ISV-TS 8 enclosures for distribution enclosures up to 630 A



Material:

Sheet steel
Enclosure frame, roof, rear panel and gland plates: 1.5 mm
Door: 2.0 mm
Contact hazard protection frame: Hard PVC, RAL 9002

Surface finish:

Enclosure frame:
Dipcoat-primed
Roof, rear panel, door(s):
Dipcoat-primed, powder-coated in textured RAL 7035 on the outside
Gland plates: Zinc-plated

Supply includes:

Enclosure frame with attachment level, door(s), roof, rear panel, gland plates (three-piece), contact hazard protection frame.

Detailed drawing,

see page 1260.

Technical specifications,

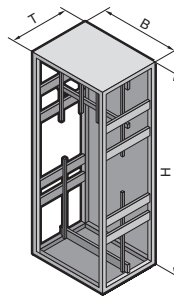
see page 1260.

Width (B) mm	Packs of	600		850		1100		Page	
Height (H) mm		2000		2000		2000			
Depth (T) mm		400	600	400	600	400	600		
Model No. SV	1	9665.945	9665.905	9665.955	9665.915	9665.965	9665.925		
Door(s)		1	1	1	1	2	2		
Approximate weight (kg)		89.5	94.5	113.5	120	157	167		
Base/plinth									
Components front and rear	Height 100 mm	1 set	8601.600	8601.600	8601.850	8601.850	8601.300	8601.300	893
	Height 200 mm	1 set	8602.600	8602.600	8602.850	8602.850	8602.100	8602.100	893
Trim panels (sides)	Height 100 mm	1 set	8601.040	8601.060	8601.040	8601.060	8601.040	8601.060	893
	Height 200 mm	1 set	8602.040	8602.060	8602.040	8602.060	8602.040	8602.060	893
Accessories									
Cable clamp rails	2	4191.000	4191.000	4195.000	4195.000	–	–	1061	
Cable entry plates ¹⁾	2	8800.060	8800.060	8800.085	8800.085	–	–	1045	
Side panels	2	8104.235	8106.235	8104.235	8106.235	8104.235	8106.235	917	
Cable entry gland		■	■	■	■	■	■	478	
Lock systems									
Standard double-bit lock insert may be exchanged for comfort handle, see page 947 and other inserts, see page 956.									

¹⁾ Cable entry grommets, see page 1046.

Rittal Ri4Power Form 1

ISV-TS 8 enclosures for distribution enclosures up to 1600 A



B
2.9

Rittal Ri4Power Form 1

Material:

Sheet steel
Enclosure frame, roof, rear panel and gland plates: 1.5 mm
Door: 2.0 mm
Contact hazard protection frame: Hard PVC, RAL 9002

Surface finish:

Enclosure frame:
Dipcoat-primed
Roof, rear panel, door:
Dipcoat-primed, powder-coated in textured RAL 7035 on the outside
Gland plates: Zinc-plated

Supply includes:

Enclosure frame with attachment level, door, roof, rear panel, gland plates (three-piece), contact hazard protection frame.

Note:

- For assembly and space reasons, a contact hazard protection module with 4 height units (600 mm) and 2 or 3 width units (500 or 750 mm), depending on the enclosure selection, is always required on the inlet or outlet side.

- When using Rittal NH fused isolators size 00 – 3 – see page 393 – care should be taken to ensure that a contact hazard protection module with at least one height unit (150 mm) is always mounted over the NH strips, for thermal reasons.
- The contact hazard protection modules to cover the NH strips all round will need to be machined by the customer.

Detailed drawing,
see page 1261.

Width (B) mm	Packs of	600	850	Page
Height (H) mm		2000	2000	
Depth (T) mm		600	600	
Model No. SV	1	9665.975	9665.985	
Door		1	1	
Approximate weight (kg)		94.5	120	

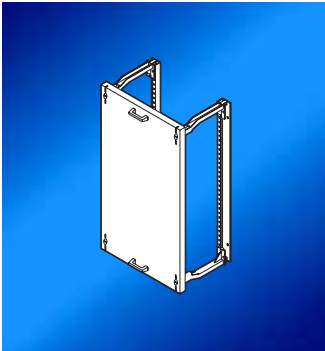
Base/plinth					
Components front and rear	Height 100 mm	1 set	8601.600	8601.850	893
	Height 200 mm	1 set	8602.600	8602.850	893
Trim panels (sides)	Height 100 mm	1 set	8601.060	8601.060	893
	Height 200 mm	1 set	8602.060	8602.060	893

Also required					
Support bracket	24 sets		4183.000	4183.000	1007
Punched sections without mounting flanges	4		4376.000	4382.000	998
System attachment for mounting the Maxi-PLS busbar support SV 9640.160, see page 422	2		9640.150	9640.150	422
System attachment for mounting the flat busbar support SV 3052.000, see page 391	2		9665.971	9665.971	–

Accessories					
Cable clamp rails	2		4191.000	4195.000	1061
Cable entry plates ¹⁾	2		8800.060	8800.085	1045
Side panels	2		8106.235	8106.235	917
Cable entry gland			■	■	478

Lock systems
Standard double-bit lock insert may be exchanged for comfort handle, see page 947 and other inserts, see page 956.

¹⁾ Cable entry grommets, see page 1046.



Contact hazard protection modules

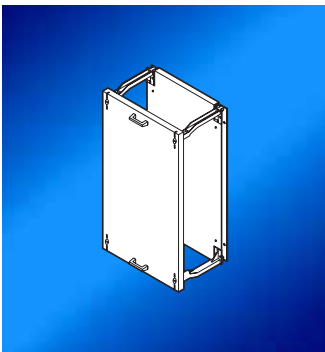
- For covering free installation areas
- Cover is prepared for a lead seal
- Insulating material RAL 9002

Mechanical interior installation	Size				Packs of	Model No. SV
	Width unit (WU) ¹⁾		Height unit (U) ²⁾			
Empty module	1	250 mm	1	150 mm	1	9665.000
	1	250 mm	2	300 mm	1	9665.010
	1	250 mm	3	450 mm	1	9665.020
	1	250 mm	4	600 mm	1	9665.030
	2	500 mm	1	150 mm	1	9665.040
	2	500 mm	2	300 mm	1	9665.050
	2	500 mm	3	450 mm	1	9665.060
	2	500 mm	4	600 mm	1	9665.070
3	750 mm	4	600 mm	1	9665.510	

Accessories	Page
Terminal block	470
Cable clamp rails	470

¹⁾ 1 WU \triangleq 250 mm

²⁾ 1 U \triangleq 150 mm



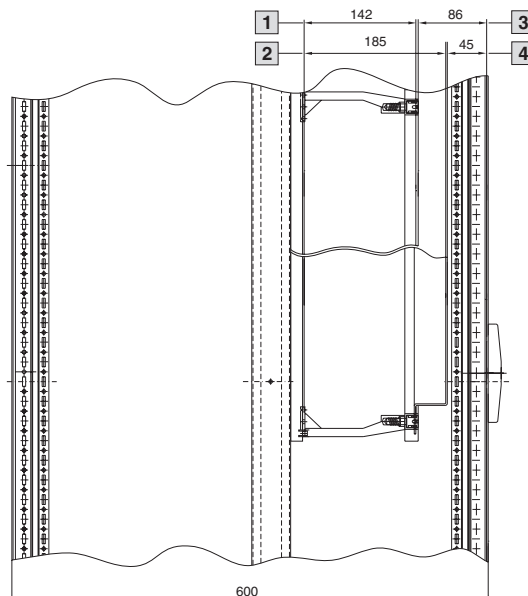
Mounting plate modules

- With mounting plate made from 2 mm zinc-plated sheet steel
- Cover is prepared for a lead seal
- Maximum usable depth 142 mm
- Insulating material RAL 9002

Mechanical interior installation: Mounting plate (W x H)	Size				Packs of	Model No. SV
	Width unit (WU) ¹⁾		Height unit (U) ²⁾			
200 x 150 mm	1	250 mm	1	150 mm	1	9665.080
200 x 300 mm	1	250 mm	2	300 mm	1	9665.090
200 x 450 mm	1	250 mm	3	450 mm	1	9665.100
200 x 600 mm	1	250 mm	4	600 mm	1	9665.110
450 x 150 mm	2	500 mm	1	150 mm	1	9665.120
450 x 300 mm	2	500 mm	2	300 mm	1	9665.130
450 x 450 mm	2	500 mm	3	450 mm	1	9665.140
450 x 600 mm	2	500 mm	4	600 mm	1	9665.150

¹⁾ 1 WU \triangleq 250 mm

²⁾ 1 U \triangleq 150 mm

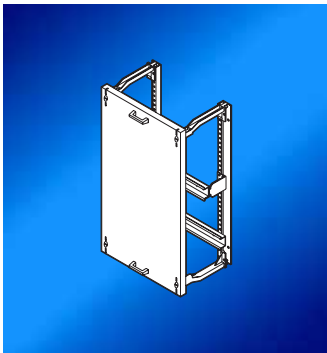


Clearance frame

- 1** Mounting plate module
- 2** Mounting plate module with deep cover
- 3** Contact hazard protection
- 4** Contact hazard protection with deep cover

Rittal Ri4Power Form 1

ISV distribution enclosure, installation modules



Support rail modules

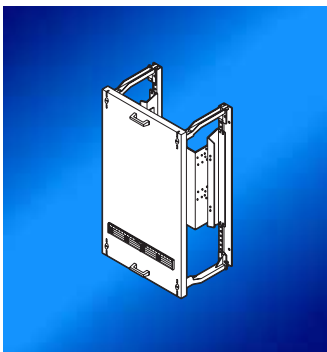
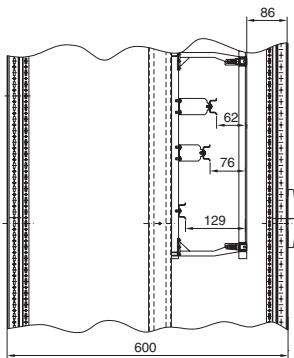
- For installing terminal blocks, cable ties, etc.
- Support rails 35/15 mm
- Adjustable on a 25 mm pitch pattern
- Cover is prepared for a lead seal
- Insulating material RAL 9002

Mechanical interior installation: Number of support rails	Size				Packs of	Model No. SV
	Width unit (WU) ¹⁾		Height unit (U) ²⁾			
1	1	250 mm	1	150 mm	1	9665.160
	1	250 mm	2	300 mm	1	9665.170
2	1	250 mm	3	450 mm	1	9665.180
3	1	250 mm	4	600 mm	1	9665.190
1	2	500 mm	1	150 mm	1	9665.200
	2	500 mm	2	300 mm	1	9665.210
2	2	500 mm	3	450 mm	1	9665.220
3	2	500 mm	4	600 mm	1	9665.230

Accessories

	Page
Spacers	469
Terminal block	470
Cable clamp rails	470
Support rails	470

- ¹⁾ 1 WU \triangleq 250 mm
²⁾ 1 U \triangleq 150 mm

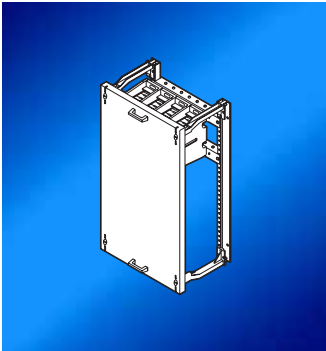


Support modules

- For mounting switchgear
- Solid mounting plate
- Cover is prepared for a lead seal
- Insulating material RAL 9002

Mechanical interior installation: Mounting surface	Size				Packs of	Model No. SV
	Width unit (WU) ¹⁾		Height unit (U) ²⁾			
W x H 190 x 210 mm, installation depth variable from 86 – 161 mm	1	250 mm	3	450 mm	1	9665.360
W x H 190 x 210 mm, installation depth variable from 86 – 153 mm	2	500 mm	3	450 mm	1	9665.370

- ¹⁾ 1 WU \triangleq 250 mm
²⁾ 1 U \triangleq 150 mm



Connection modules

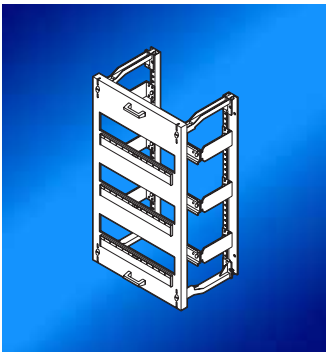
- For connecting copper and aluminium conductors
- Single-wire or multi-wire conductors with crimped wire end ferrule or laminated copper bar
- Cover is prepared for a lead seal
- Insulating material RAL 9002

Mechanical interior installation: Terminal connection top and bottom		Size				Packs of	Model No. SV
		Width unit (WU) ¹⁾		Height unit (U) ²⁾			
250 A, 4-pole	Round conductor: 1 x 16 – 150 mm ² or 2 x 16 – 70 mm ²	1	250 mm	3	450 mm	1	9665.300
250 A, 5-pole	Laminated flat copper: Clamping area W x H 17 x 21 mm	1	250 mm	3	450 mm	1	9665.310
400 A, 4-pole	Round conductor: 1 x 50 – 240 mm ² or 2 x 25 – 120 mm ²	1	250 mm	3	450 mm	1	9665.320
400 A, 5-pole	Laminated flat copper: Clamping area W x H 25 x 21 mm	1	250 mm	3	450 mm	1	9665.330
630 A, 4-pole	Round conductor: 1 x 120 – 300 mm ² or 2 x 120 – 185 mm ²	2	500 mm	3	450 mm	1	9665.340
630 A, 5-pole	Laminated flat copper: Clamping area W x H 41 x 21 mm	2	500 mm	3	450 mm	1	9665.350

Accessories		Page
Laminated copper bars		411
Cable clamp rails		470

¹⁾ 1 WU \geq 250 mm

²⁾ 1 U \geq 150 mm



DIN rail mounted device modules

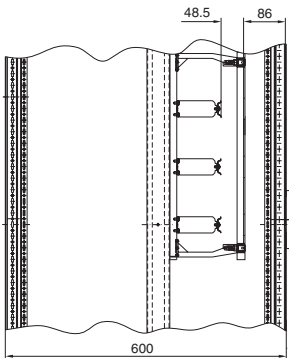
- To accommodate DIN rail mounted devices
- Support rails 35/7.5 mm
- Cover is prepared for a lead seal
- Insulating material RAL 9002

Mechanical interior installation		Size				Packs of	Model No. SV
		Width unit (WU) ¹⁾		Height unit (U) ²⁾			
12 divider units (1 x 12 x 18 mm)		1	250 mm	1	150 mm	1	9665.240
24 divider units (2 x 12 x 18 mm)		1	250 mm	2	300 mm	1	9665.250
36 divider units (3 x 12 x 18 mm)		1	250 mm	3	450 mm	1	9665.260
48 divider units (4 x 12 x 18 mm)		1	250 mm	4	600 mm	1	9665.270
24 divider units (2 x 12 x 18 mm)		2	500 mm	1	150 mm	1	9665.280
48 divider units (4 x 12 x 18 mm)		2	500 mm	2	300 mm	1	9665.290
72 divider units (6 x 12 x 18 mm)		2	500 mm	3	450 mm	1	9665.500

Accessories		Page
Cover strips		469
Terminal block		470

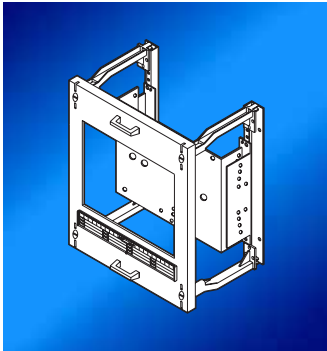
¹⁾ 1 WU \geq 250 mm

²⁾ 1 U \geq 150 mm



Rittal Ri4Power Form 1

ISV distribution enclosure, installation modules



NH on-load isolator modules

- Suitable for accommodating RiLine NH on-load isolators for mounting plate assembly
- Cover is prepared for a lead seal
- Insulating material RAL 9002

Mechanical interior installation			Size				Packs of	Model No. SV
			Width unit (WU) ¹⁾		Height unit (U) ²⁾			
Assembly block slotted and positioned plus cut-out in the cover to fit NH on-load isolators	1 x size 00 160 A	1	1	250 mm	2	300 mm	1	9665.385
	2 x size 00 160 A	1	1	250 mm	2	300 mm	1	9665.395
	1 x size 1 250 A	2	1	250 mm	3	450 mm	1	9665.405
	1 x size 2 400 A	3	1	250 mm	3	450 mm	1	9665.415
	1 x size 3 630 A	4	2	500 mm	3	450 mm	1	9665.425

¹⁾ 1 WU \triangleq 250 mm

²⁾ 1 U \triangleq 150 mm

NH on-load isolator for mounting plate assembly (RiLine NH)

	Size	Model No. SV	Model No. SV ¹⁾	Page
1	00	9344.000/.010	9344.020/.030	396
2	1	9344.100/.110	9344.120/.130	397
3	2	9344.200/.210	9344.220/.230	398
4	3	9344.300/.310	9344.320/.330	399

¹⁾ With electronic fuse monitoring.

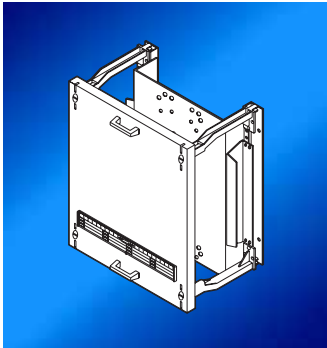
Power circuit-breaker modules

- Suitable for accommodating commercially available power circuit-breakers of brands ABB, Merlin Gerin, Moeller and Siemens in 3-pole versions, up to 630 A
- Cover is prepared for a lead seal
- Insulating material RAL 9002

Note:

The pitch patterns of holes for attachment of the power circuit-breakers and the corresponding cut-out dimensions for the covers are shown in the ISV assembly instructions.

Power circuit-breakers are not included with the supply.



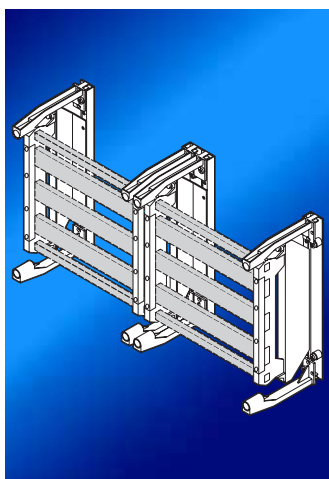
Mechanical interior installation			Size				Packs of	Model No. SV
			Width unit (WU) ¹⁾		Height unit (U) ²⁾			
Mounting plate slotted and positioned for power circuit-breakers	1	1	250 mm	2	300 mm	1	9665.430	
	2	1	250 mm	3	450 mm	1	9665.440	
	3	1	250 mm	2	300 mm	1	9665.450	
	4	1	250 mm	3	450 mm	1	9665.460	
	5	1	250 mm	3	450 mm	1	9665.470	
	6	1	250 mm	3	450 mm	1	9665.480	

¹⁾ 1 WU \triangleq 250 mm

²⁾ 1 U \triangleq 150 mm

Power circuit-breakers

I _N	Brand						
	ABB		Merlin Gerin	Moeller Electric	Siemens		
160 A	1	Tmax T1	3	Compact NS 100	1	3	Sentron VL160 Sentron VL160X
		Tmax T2		Compact NS 160	3		
250 A	2	Tmax T3	4	Compact NS 250	11	4	Sentron VL250
					5		
400 A	5	SACE Isomax S5	6	Compact NS 400	5	5	Sentron VL400
630 A	5	SACE Isomax S5	6	Compact NS 630	5	5	Sentron VL630
		SACE Isomax S6					



Busbar support

- 5-pole, 60 mm bar centre distance

Note:

- The busbars must be cut to length prior to installation, in accordance with the "ISV" assembly instructions, depending on the configuration and connection versions being used.
- 5-pole busbar variant only suitable for the configuration of busbar connections and NH bus-mounting on-load isolators, size 00.

- With bus-mounting fuse bases, only 3-pole configuration (L1/L2/L3) is supported. In such cases, N and PE must be configured via busbar support SV 9340.040 (see page 408) or busbar module (Model No. SV 9665.590 or SV 9665.600, see page 468).

Mechanical interior installation	Usable busbar dimensions E-Cu	Packs of	Model No. SV
Busbar support for 2 height units ¹⁾ and max. 2 width units ²⁾	Busbars L1/L2/L3 30 x 5 mm (400 A) 30 x 10 mm (630 A)	4	9665.495
	Busbar N 25 x 10 mm		
	Busbar PE 12 x 10 mm		

Assembly components	Model No. SV	Page
Conductor connection clamps for bar thickness	5 mm	3450.500 – 3453.500/3550.000
	10 mm	3455.500 – 3458.500/3555.000
Plate clamp	3554.000	358
Bus-mounting fuse bases		see below
NH bus-mounting on-load isolators, size 00		see below

Also required

Contact hazard protection cover for		
Conductor connection clamps		466
Plate clamp		466
Bus-mounting fuse bases		466
NH bus-mounting on-load isolators, size 00		466

Accessories	Model No. SV	Page
Busbars E-Cu		408/409
Busbar connectors for E-Cu ³⁾	30 x 5/10 mm (L1/L2/L3)	9320.020
	25 x 10 mm (N)	9320.020
	12 x 10 mm (PE)	9350.075
Laminated copper bars		411

¹⁾ 1 U \triangleq 150 mm

²⁾ 1 WU \triangleq 250 mm

³⁾ For busbar connections from enclosure to enclosure.

Bus-mounted fuse bases and accessories

Type	Bus-mounting fuse base	Contact hazard protection cover	End caps	Page
	Model No. SV	Model No. SV	Model No. SV	
D 02-E 18	3418.000	3419.000	3420.000	372
D II-E 27	3427.000	3428.000	3429.000	372
D III-E 33	3433.000	3434.000	3435.000	372

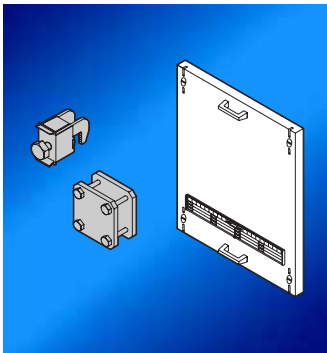
NH bus-mounted on-load isolators (RiLine NH)

Size	Model No. SV	Model No. SV ¹⁾	Page
00	9343.000	9343.020	376
	9343.010	9343.030	

¹⁾ With electronic fuse monitoring.

Rittal Ri4Power Form 1

ISV distribution enclosure, installation modules



Contact hazard protection cover

for conductor connection clamps and plate clamp

- Cover is prepared for a lead seal
- Insulating material RAL 9002

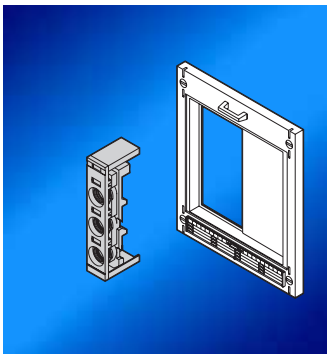
Design	Size				Packs of	Model No. SV
	Width unit (WU) ¹⁾		Height unit (U) ²⁾			
Solid	1	250 mm	2	300 mm	1	9665.530

¹⁾ 1 WU \triangleq 250 mm
²⁾ 1 U \triangleq 150 mm

B

2.9

Rittal Ri4Power Form 1



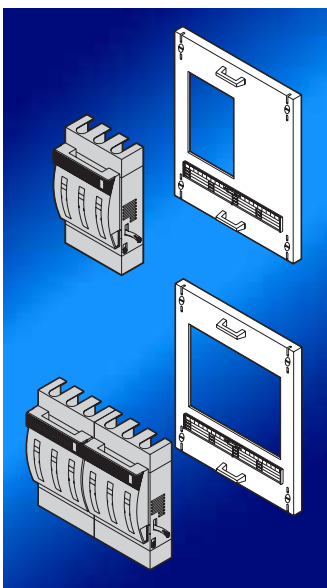
Contact hazard protection covers

for bus-mounted fuse bases

- Cover is prepared for a lead seal
- Insulating material RAL 9002

For	Size				Packs of	Model No. SV
	Width unit (WU) ¹⁾		Height unit (U) ²⁾			
7 x D 02-E 18	1	250 mm	2	300 mm	1	9665.525
4 x D II-E 27, 3 x D III-E 33	1	250 mm	2	300 mm	1	9665.545

¹⁾ 1 WU \triangleq 250 mm
²⁾ 1 U \triangleq 150 mm



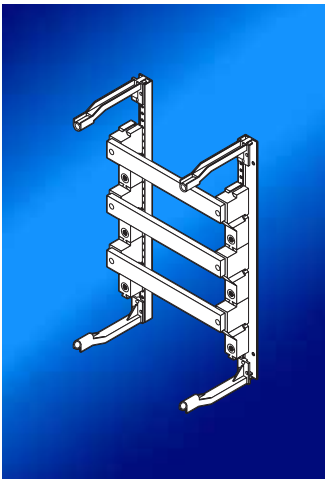
Contact hazard protection covers

for NH bus-mounting on-load isolators, size 00 (RiLine NH)

- Cover is prepared for a lead seal
- Insulating material RAL 9002

For	Size				Packs of	Model No. SV
	Width unit (WU) ¹⁾		Height unit (U) ²⁾			
1 x size 00	1	250 mm	2	300 mm	1	9665.555
2 x size 00	1	250 mm	2	300 mm	1	9665.565

¹⁾ 1 WU \triangleq 250 mm
²⁾ 1 U \triangleq 150 mm



NH fused isolators modules

- With busbars E-Cu (100 mm bar centre distance)
- For NH fused isolators size 00 or busbar connections

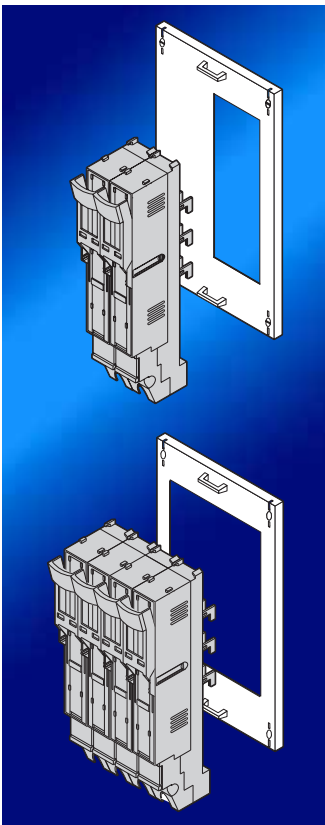
Note:

- In order to be able to ensure trouble-free cable connection, a contact hazard protection module (Model No. SV 9665.000, see page 461) must be installed beneath the NH fused isolator modules.
- Busbar connection in accordance with "ISV" assembly instructions.

Mechanical interior installation: Busbar system	Size				Packs of	Model No. SV
	Width unit (WU) ¹⁾		Height unit (U) ²⁾			
630 A, 3-pole with busbars E-Cu 30 x 10 mm	1	250 mm	3	450 mm	1	9665.570
	2	500 mm	3	450 mm	1	9665.580
Assembly components		Model No. SV				Page
NH fused isolator, size 00		3591.010				389
Conductor connection clamps		3455.500 – 3459.500/3555.000				358
Plate clamp		3554.000				358
Also required						
Contact hazard protection cover for						
NH fused isolator, size 00						see below
Conductor connection clamps						468
Plate clamp						468
Accessories						
Laminated copper bars						411

¹⁾ 1 WU \triangleq 250 mm

²⁾ 1 U \triangleq 150 mm



Contact hazard protection covers

For NH fused isolator, size 00

- Cover is prepared for a lead seal
- Insulating material RAL 9002

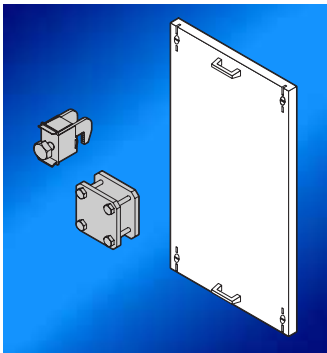
For	Size				Packs of	Model No. SV
	Width unit (WU) ¹⁾		Height unit (U) ²⁾			
2 x size 00	1	250 mm	3	450 mm	1	9665.620
4 x size 00	1	250 mm	3	450 mm	1	9665.630

¹⁾ 1 WU \triangleq 250 mm

²⁾ 1 U \triangleq 150 mm

Rittal Ri4Power Form 1

ISV distribution enclosure, installation modules



Contact hazard protection cover

for conductor connection clamps and plate clamp

- Cover is prepared for a lead seal
- Insulating material RAL 9002

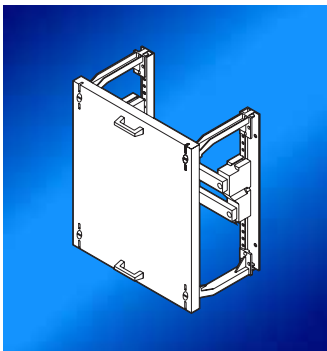
Design	Size				Packs of	Model No. SV
	Width unit (WU) ¹⁾		Height unit (U) ²⁾			
Solid	1	250 mm	3	450 mm	1	9665.610

¹⁾ 1 WU \pm 250 mm
²⁾ 1 U \pm 150 mm

B

2.9

Rittal Ri4Power Form 1



Busbar modules

2-pole

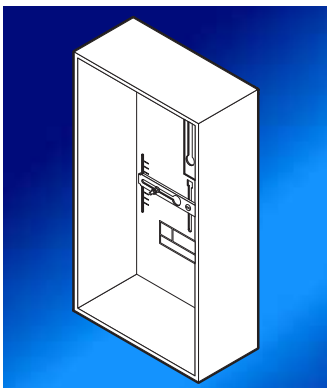
- For connecting N and PE
- Contact hazard protection cover included
- Cover is prepared for a lead seal
- Insulating material RAL 9002

Mechanical interior installation: Busbar system	Size				Packs of	Model No. SV
	Width unit (WU) ¹⁾		Height unit (U) ²⁾			
2-pole for N and PE with busbars E-Cu 30 x 10 mm	1	250 mm	2	300 mm	1	9665.590
	2	500 mm	2	300 mm	1	9665.600

Assembly components	Model No. SV	Page
Conductor connection clamps	3455.500 – 3459.500/3555.000	358
Plate clamp	3554.000	358

Accessories	Page
Laminated copper bars	411

¹⁾ 1 WU \pm 250 mm
²⁾ 1 U \pm 150 mm



Meter mounting board module

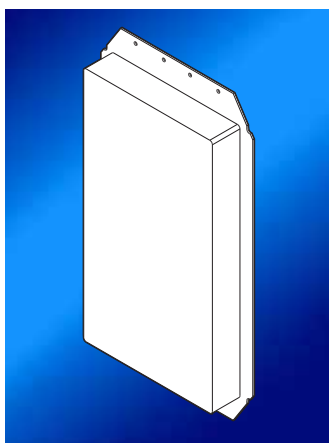
- Open module for internal measurements
- Clearance depth available for meter installation 170 mm
- Insulating material RAL 9002

Note:

The meter mounting board module does not comply with meter mounting board standard DIN 43 870/VDE 0603 and does not meet the conditions for total insulation. Use in unmetred areas only by arrangement with the local electricity supply company.

Mechanical interior installation	Size				Packs of	Model No. SV
	Width unit (WU) ¹⁾		Height unit (U) ²⁾			
Attachment rails to accommodate a meter	1	250 mm	3	450 mm	1	9665.790

¹⁾ 1 WU \pm 250 mm
²⁾ 1 U \pm 150 mm

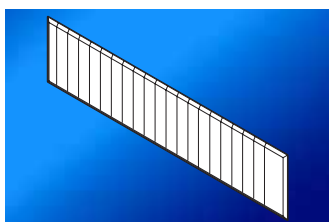


Deep cover

For increasing the usable depth.

- For installation on one-piece contact hazard protection covers
- W x H x D 450 x 250 x 43 mm
- Insulating material RAL 7035

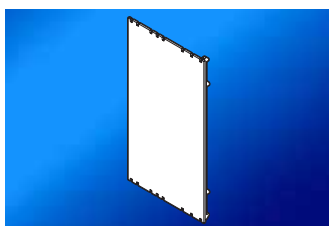
Packs of	Model No. SV
1	9665.640



Cover strips

For blanking spare component cut-outs in DIN rail mounted device modules, max. 12 divider units (12 x 18 mm), divisible every 9 mm.

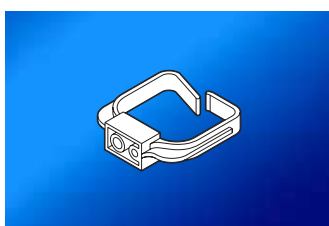
Packs of	Model No. SV
1	9665.650



Cover panel

For blanking unnecessary cut-outs for bus-mounting fuse bases, 108 mm wide.

Packs of	Model No. SV
1	9665.660

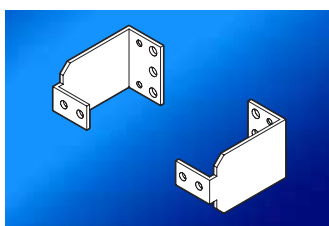


Wiring brackets

for installing

- C rails 30/15 mm
- TS punched sections with mounting flanges
- TS frame section

Packs of	Model No. SV
10	9665.670



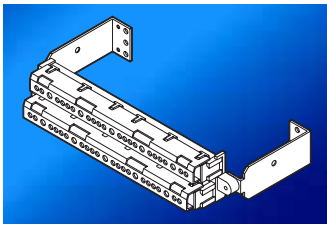
Spacers

For configuring support rails with attachment screws, 53 mm high.

Packs of	Model No. SV
2	9665.680

Rittal Ri4Power Form 1

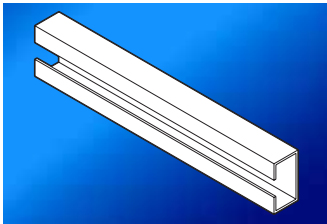
ISV distribution enclosure, accessories



Terminal block

For installation into 250 mm wide contact hazard protection and support rail modules 2-pole for N and PE, each with 20 x 4 mm², 5 x 25 mm².

Packs of	Model No. SV
1	9665.690

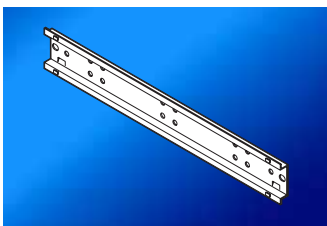


Cable clamp rails

For attaching cable clamps, see page 1064, in

- Connection modules
- Contact hazard protection modules
- Support rail modules

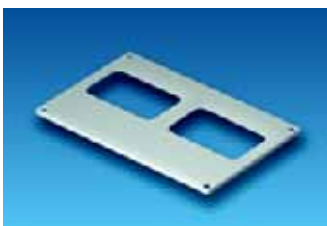
Required width units of the modules	Packs of	Model No. SV
1 WU (250 mm)	1	9665.700
2 WU (500 mm)	1	9665.710



Support rails

For snap fastening components or terminals, 15 mm high.

Required width units of the modules	Packs of	Model No. SV
1 WU (250 mm)	1	9665.720
2 WU (500 mm)	1	9665.730



Roof plates

For cable entry gland

In exchange for the standard ISV-TS roof.

Material:

Sheet steel, spray-finished

Colour:

RAL 7035



For ISV-TS enclosures		For no. of cable entry glands	Packs of	Model No. SV
Width mm	Depth mm			
600	400	2	1	9665.943
600	600	4	1	9665.903
850	400	3	1	9665.953
850	600	6	1	9665.913
1100	400	4	1	9665.963
1100	600	8	1	9665.923

+ Accessories:

Cable entry gland

Design	Model No. SV	Page
14 x M25/32	9665.750	478
2 x M25/32/40 1 x M32/40/50 2 x M40/50/63	9665.760	478
With sealing membranes 32 x Ø 7 – 16 mm 4 x Ø 10 – 20 mm 3 x Ø 14 – 26 mm	9665.770	478
With entry gland up to Ø 66 mm	9665.780	478
Solid	9665.785	478