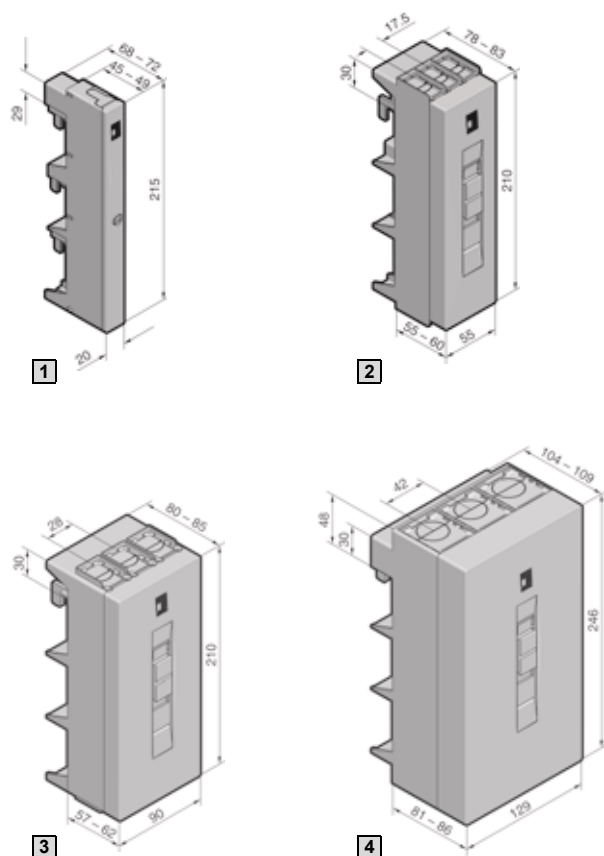
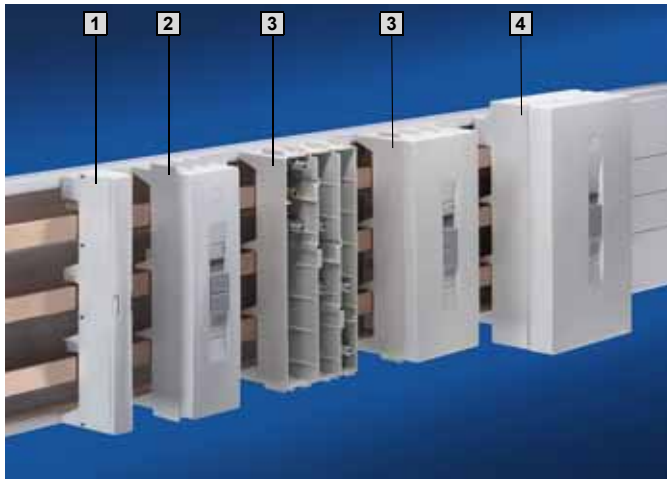


Rittal RiLine60 busbar systems 800/1600 A (60 mm)

Busbar connection adaptors (3-pole)



2.2

Rittal RiLine60 busbar systems 800/1600 A (60 mm)

Material:

Punched section

Polyamide (PA 6.6),
25 % fibreglass-reinforced.
Continuous operating
temperature max. 130°C.
Fire protection corresponding
to UL 94-V0.

Cover

ABS,
fire protection corresponding
to UL 94-V0.

Colour:

RAL 7035

Supply includes:

Cover.

Note:

The technical data given in
the tables may vary for UL
applications;
see page 1235.

Version (3-pole)	Packs of	1	2	3	4	Page
Rated current up to		63 A	125 A	250 A	800 A	
Rated operating voltage		690 V~	690 V~	690 V~	690 V~	
Connection of round conductors						
• Fine wire with wire end ferrule		2.5 – 10 mm ²	10 – 25 mm ²	35 – 120 mm ²	95 – 185 mm ²	
• Multi-wire		2.5 – 16 mm ²	16 – 35 mm ²	35 – 120 mm ²	95 – 300 mm ²	
• Solid		2.5 – 16 mm ²	–	–	–	
Clamping area for laminated copper bars		–	10 x 7.8 mm	18.5 x 15.5 mm	33 x 20 mm	
Tightening torque						
• Assembly screw		2 Nm	2 Nm	4 – 6 Nm	6 Nm	
• Terminal screw		2.5 Nm	2 – 3 Nm	8 – 10 Nm	12 – 14 Nm	
For bar thickness		5/10 mm	5/10 mm	5/10 mm	5/10 mm	
Outlet top/bottom	1	–	9342.220 ¹⁾	9342.250	9342.280 ¹⁾	
Model No. SV	1	9342.200	9342.230	9342.260	9342.290	
Outlet at bottom	1	9342.210	9342.240	9342.270	9342.300	
Model No. SV						

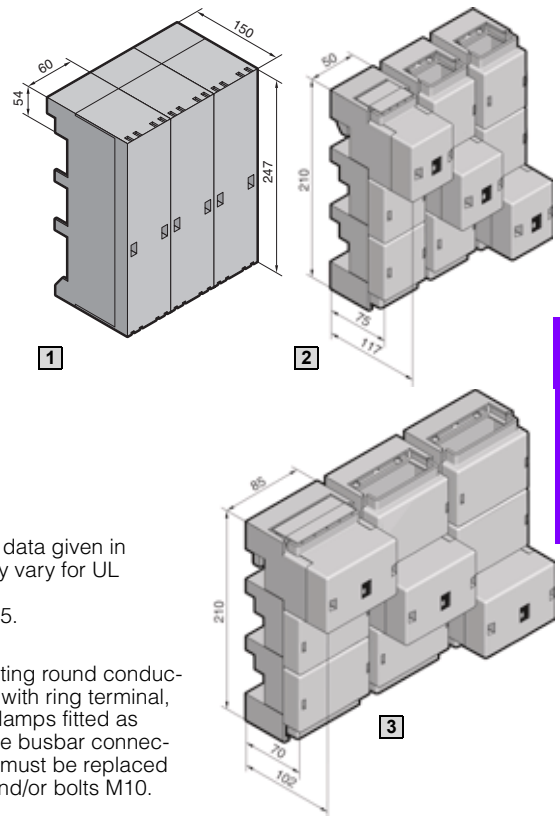
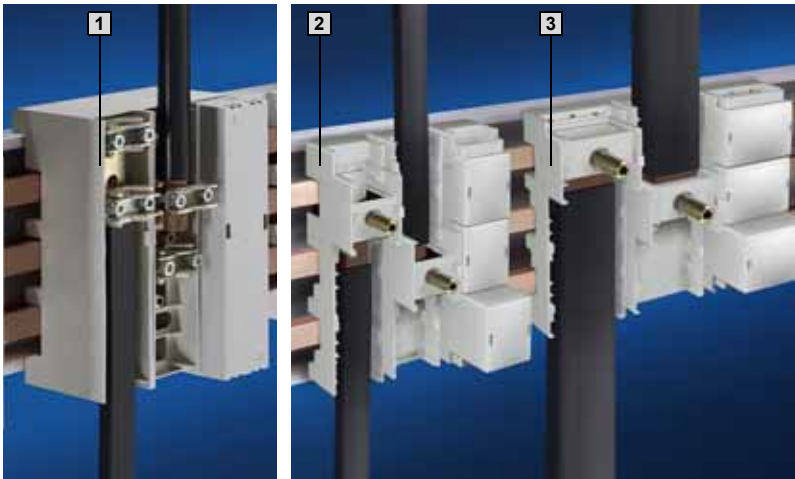
Accessories

Laminated copper bars		–	■	■	■	411
-----------------------	--	---	---	---	---	-----

¹⁾ Not suitable for UL applications.

Rittal RiLine60 busbar systems 800/1600 A (60 mm)

Busbar connection adaptors (3-pole)



Material:

Punched section SV 3439.010

Fibreglass-reinforced, thermoplastic polyester (PBT).
Continuous operating temperature max. 140°C.
Fire protection corresponding to UL 94-V0.

SV 9342.310/.320

Polyamide (PA 6.6), 25 % fibreglass-reinforced.
Continuous operating temperature max. 130°C.
Fire protection corresponding to UL 94-V0.

Cover

ABS,
fire protection corresponding to UL 94-V0.

Colour:
RAL 7035

Supply includes:
Cover.

Note:

The technical data given in the tables may vary for UL applications; see page 1235.

SV 3439.010

When connecting round conductors 300 mm² with ring terminal, the terminal clamps fitted as standard in the busbar connection adaptors must be replaced with screws and/or bolts M10.

B
2.2

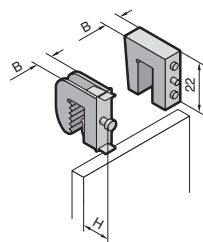
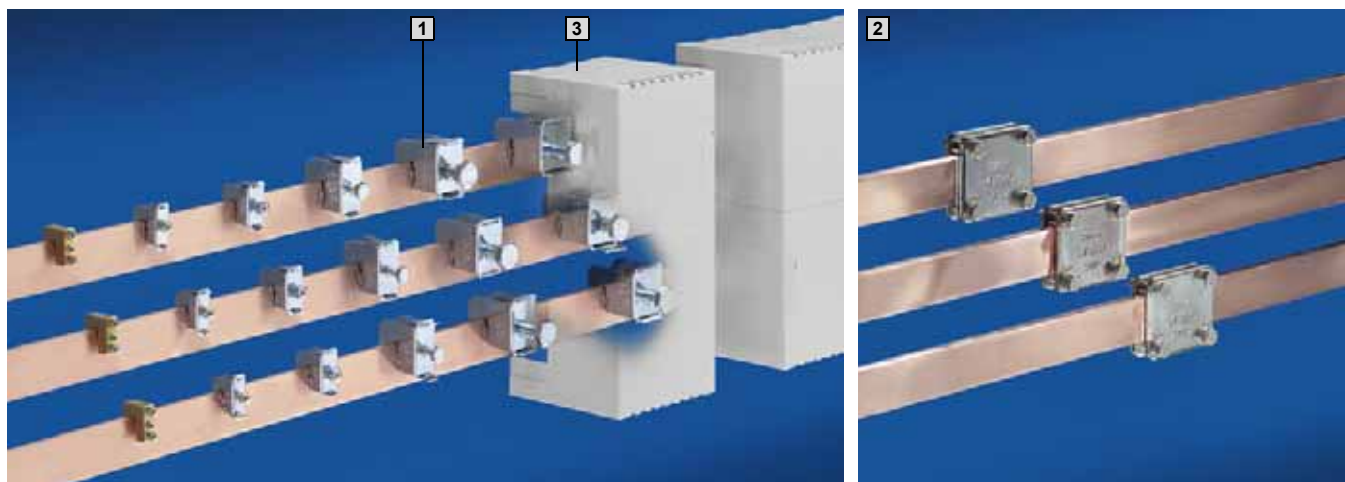
Rittal RiLine60 busbar systems 800/1600 A (60 mm)

Version (3 x 1-pole)	Packs of	1	2	3	Page
Rated current up to		600 A	800 A	1600 A	
Rated operating voltage		690 V~	690 V~	690 V~	
Outlet		top/bottom	top/bottom	top/bottom	
Connection of round conductors					
● Fine wire with wire end ferrule		35 – 240 mm ²	95 – 185 mm ²	–	
● Multi-wire		35 – 240 mm ²	95 – 300 mm ²	–	
Clamping area for laminated copper bars					
● with 5 mm bar thickness		24 x 21 mm	33 x 27 mm	65 x 27 mm	
● with 10 mm bar thickness		24 x 21 mm	33 x 22 mm	65 x 22 mm	
Tightening torque					
● Assembly screw		15 – 20 Nm	–	–	
● Terminal screw		15 Nm	12 – 14 Nm	15 – 20 Nm	
For bar thickness		5/10 mm	5/10 mm	5/10 mm	
Model No. SV	1 set (of 3)	3439.010¹⁾	9342.310	9342.320	
Accessories					
Laminated copper bars		■	■	■	411

¹⁾ Not suitable for UL applications.

Rittal RiLine60 busbar systems 800/1600 A (60 mm)

Connection clamps/system covers



1 Conductor connection clamps

For bar thickness mm	Connection of round conductors ¹⁾ mm ²	Clamping area for laminated copper bars mm	Tightening torque Nm	Width (B) mm	Height (H) mm		Packs of	Model No. SV
					min.	max.		
3 – 5	1 – 4	–	2	8.0	–	–	15	3550.000
5	1 – 4	–	2	11.0	17	23	15	3450.500
5	2.5 – 16	8 x 8	3	14.0	22	29	15	3451.500
5	16 – 50	10.5 x 11	6 – 8	18.5	26	39	15	3452.500
5	35 – 70	16.5 x 15	10 – 12	24.5	39	57	15	3453.500
5	70 – 185	22.5 x 20	12 – 15	30.5	44	66	15	3454.500
6 – 10	1 – 4	–	2	8.0	–	–	15	3555.000
10	1 – 4	–	2	11.0	17	23	15	3455.500
10	2.5 – 16	8 x 8	3	14.0	22	29	15	3456.500
10	16 – 50	10.5 x 11	6 – 8	18.5	26	39	15	3457.500
10	35 – 70	16.5 x 15	10 – 12	24.5	39	57	15	3458.500
10	70 – 185	22.5 x 20	12 – 15	30.5	44	66	15	3459.500

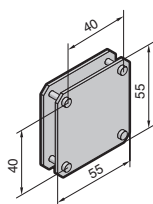
¹⁾ Wire end ferrules should be used with fine wire conductors.

Material:

Sheet steel, zinc-plated, passivated (SV 3450.500 – SV 3459.500),
Brass (SV 3550.000/SV 3555.000).

+ Accessories:

Laminated copper bars, see page 411.



2 Plate clamp

For busbars 12 x 5 – 30 x 10 mm.
Clamping area for laminated copper bars: 34 x 10 mm.
Tightening torque: 6 – 8 Nm.

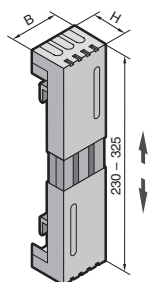
Material:

Sheet steel, zinc-plated, passivated.

Packs of	Model No. SV
3	3554.000

+ Accessories:

Laminated copper bars, see page 411.



3 System covers

For conductor connection clamps and plate clamps.

Material:

ABS.
Continuous operating temperature max. 80°C.
Fire protection corresponding to UL 94-V0.

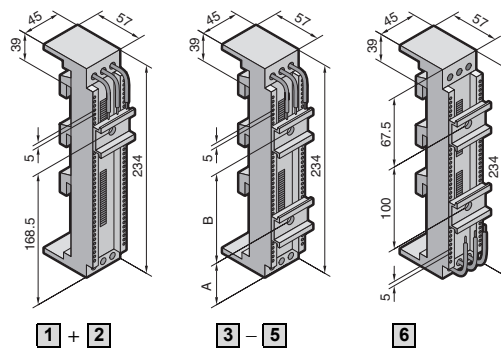
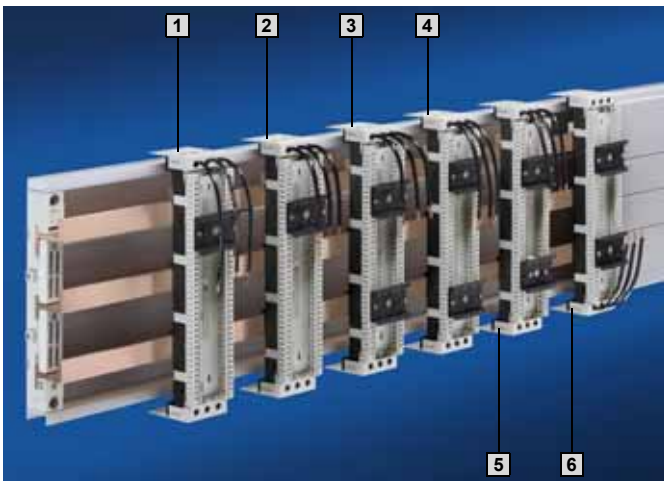
Note:

Only suitable for use with systems without a base tray.

Width (B) mm	Height (H) mm	Packs of	Model No. SV
50	80	4	3086.000
100	80	4	3087.000
100	110	4	3090.000
200	80	4	3088.000
200	110	4	3091.000

Rittal RiLine60 busbar systems 800/1600 A (60 mm)

Multi-functional component adaptors 12 A/25 A (3-pole)



Material:

Polyamide (PA 6.6),
25 % fibreglass-reinforced.
Continuous operating
temperature max. 140°C.
Fire protection corresponding
to UL 94-V0.

Colour:

RAL 7035,
RAL 9011 (chassis)

Note:

Overview of standard switch-
gear with allocation of the
relevant adaptor,
see page 1239.

Current carrying capacity of the
supply cables fitted as standard,
see page 1236.

B
2.2

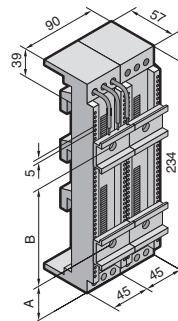
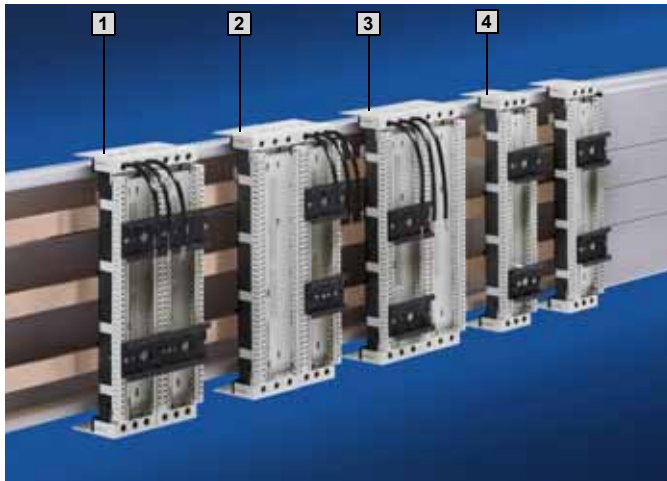
Rittal RiLine60 busbar systems 800/1600 A (60 mm)

For snap-on mounting		1	2	3	4	5	6	Page
Construction width		45 mm	45 mm	45 mm	45 mm	45 mm	45 mm	
Rated current up to		12 A	25 A	25 A	25 A	25 A	25 A	
Rated operating voltage		690 V~	690 V~	690 V~	690 V~	690 V~	690 V~	
Cable outlet		top	top	top	top	top	bottom	
Connection cables ¹⁾		AWG 14	AWG 12	AWG 12	AWG 12	AWG 12	AWG 12	
Support rails	Qty.	1	1	2	2	2 (1 variable)	2	
	Height	10 mm	10 mm	10 mm	10 mm	10 mm	10 mm	
	A	–	–	68.5 mm	55 mm	variable	–	
	B	–	–	100 mm	125 mm	variable	–	
Packs of		1	1	1	1	1	1	
For 5 mm bar thickness Model No. SV		9320.160	9320.180	9320.200	9320.440	9320.220	9320.240	
For 10 mm bar thickness Model No. SV		9320.170	9320.190	9320.210	9320.450	9320.230	9320.250	
Accessories		Packs of						
Support rails Width 45 mm, height 10 mm	5	9320.090	9320.090	9320.090	9320.090	9320.090	9320.090	404
Plug-in connector	1	9320.110	9320.110	9320.110	9320.110	9320.110	–	405
Mounting clip	5	9320.140	9320.140	9320.140	9320.140	9320.140	9320.140	405

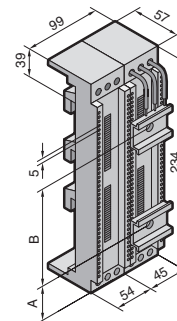
¹⁾ AWG = American Wire Gauges
AWG 14 = 2.08 mm² ± 2.5 mm²
AWG 12 = 3.31 mm² ± 4 mm²

Rittal RiLine60 busbar systems 800/1600 A (60 mm)

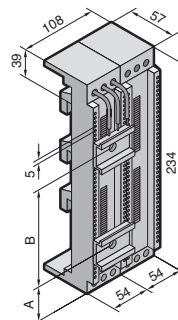
Multi-functional component adaptors 25 A (3-pole)



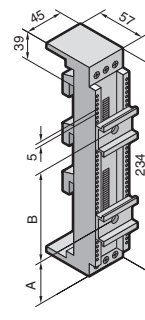
1



2



3



4

2.2

Rittal RiLine60 busbar systems 800/1600 A (60 mm)

Material:

Polyamide (PA 6.6),
25 % fibreglass-reinforced.
Continuous operating
temperature max. 140°C.
Fire protection corresponding
to UL 94-V0.

Colour:

RAL 7035,
RAL 9011 (chassis)

Note:

Overview of standard switch-
gear with allocation of the
relevant adaptor,
see page 1239.

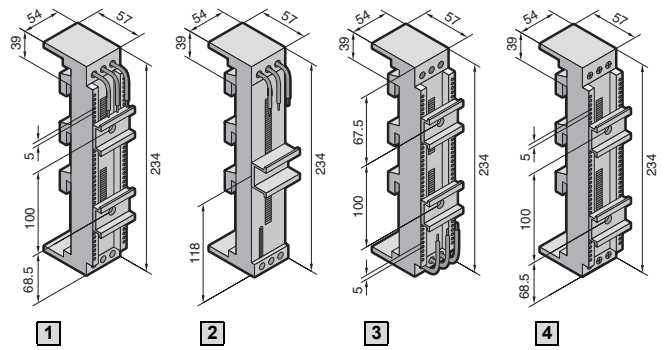
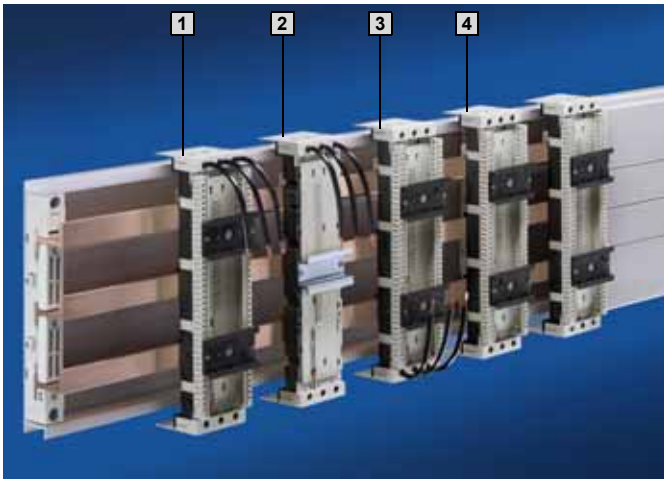
Current carrying capacity of the
supply cables fitted as standard,
see page 1236.

For snap-on mounting		1	2	3	4	4	Page
Construction width		90 mm	99 mm	108 mm	45 mm	45 mm	
Rated current up to		25 A	25 A	25 A	25 A	25 A	
Rated operating voltage		690 V~	690 V~	690 V~	690 V~	690 V~	
Cable outlet		top	top	top	top	top/bottom	
Connection cables ¹⁾		AWG 12	AWG 12	AWG 12	–	–	
Connection of round conductors up to		–	–	–	16 mm ²	16 mm ²	
Support rails	Qty.	2	2	2	2 (1 variable)	2	
	Height	10 mm	10 mm	10 mm	10 mm	10 mm	
	A	68.5 mm	43 mm	43 mm	variable	68.5 mm	
	B	100 mm	125 mm	90 mm	variable	100 mm	
Packs of		1	1	1	1	1	
For 5 mm bar thickness Model No. SV		9320.380	9320.400	9320.420	9320.260	9320.280	
For 10 mm bar thickness Model No. SV		9320.390	9320.410	9320.430	9320.270	9320.290	
Accessories	Packs of						
Support rails Width 45 mm, height 10 mm	5	9320.090	9320.090	–	9320.090	9320.090	404
Support rails Width 54 mm, height 10 mm	5	–	9320.100	9320.100	–	–	404
Plug-in connector	1	–	–	–	9320.110	–	405
Mounting clip	5	9320.140	9320.140	–	9320.140	9320.140	405

¹⁾ AWG = American Wire Gauges
AWG 12 = 3.31 mm² ± 4 mm²

Rittal RiLine60 busbar systems 800/1600 A (60 mm)

Multi-functional component adaptors 40 A (3-pole)



Material:

Polyamide (PA 6.6),
25 % fibreglass-reinforced.
Continuous operating
temperature max. 140°C.
Fire protection corresponding
to UL 94-V0.

Colour:

RAL 7035,
RAL 9011 (chassis)

Note:

Overview of standard switch-
gear with allocation of the
relevant adaptor,
see page 1239.

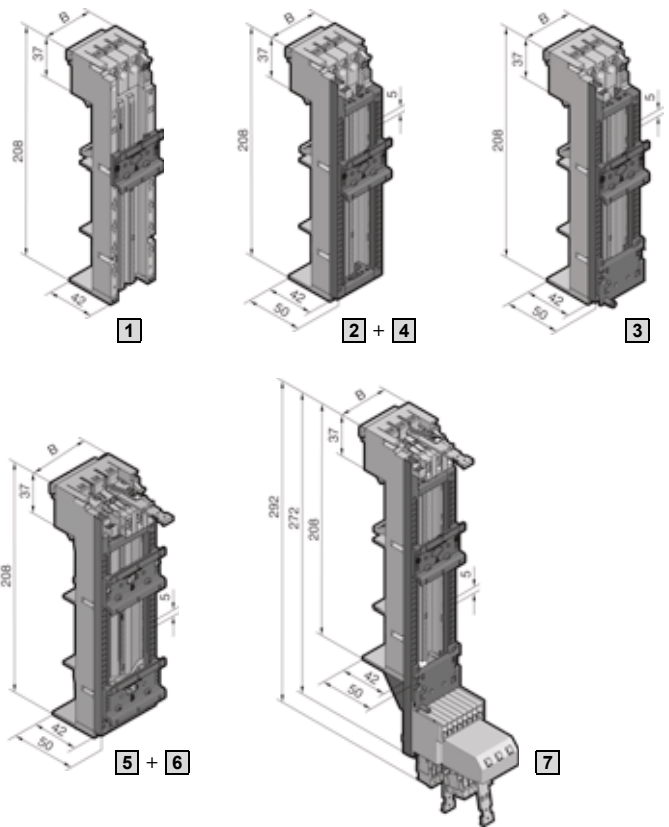
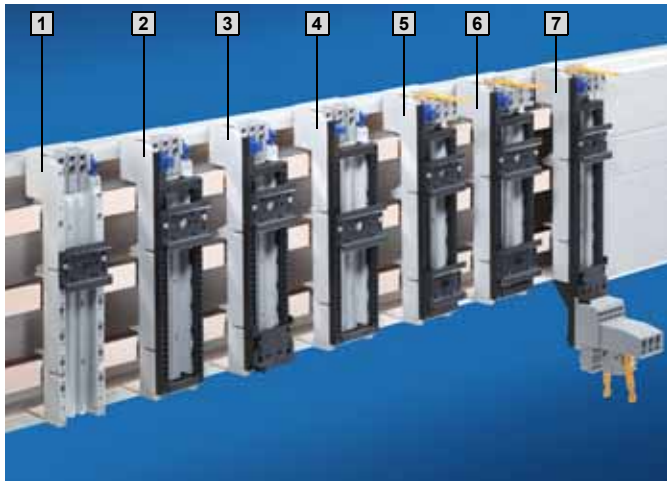
Current carrying capacity of the
supply cables fitted as standard,
see page 1236.

For snap-on mounting		1	2	3	4	4	Page
Construction width		54 mm	54 mm	54 mm	54 mm	54 mm	
Rated current up to		40 A	40 A	40 A	40 A	40 A	
Rated operating voltage		690 V~	690 V~	690 V~	690 V~	690 V~	
Cable outlet		top	top	bottom	top	top/bottom	
Connection cables ¹⁾		AWG 10	AWG 10	AWG 10	–	–	
Connection of round conductors up to		–	–	–	16 mm ²	16 mm ²	
Support rails	Qty.	2	1	2	2	2	
	Height	10 mm	15 mm	10 mm	10 mm	10 mm	
Packs of		1	1	1	1	1	
For 5 mm bar thickness Model No. SV		9320.300	9320.460	9320.320	9320.340	9320.360	
For 10 mm bar thickness Model No. SV		9320.310	9320.470	9320.330	9320.350	9320.370	
Accessories	Packs of						
Support rails Width 54 mm, height 10 mm	5	9320.100	–	9320.100	9320.100	9320.100	404

¹⁾ AWG = American Wire Gauges
AWG 10 = 5.26 mm² ± 6 mm²

Rittal RiLine60 busbar systems 800/1600 A (60 mm)

OM adaptors 32 A with tension spring clamp/OM Premium adaptors 25 A (3-pole)



2.2

Rittal RiLine60 busbar systems 800/1600 A (60 mm)

Material:
Polyamide (PA 6.6),
25 % fibreglass-reinforced.
Continuous operating
temperature max. 130°C.
Fire protection corresponding
to UL 94-V0.

Colour:
RAL 7035 (chassis)

Note:
Overview of standard commer-
cially available switchgear
with allocation of the relevant
adaptor,
see page 1240.

Design	Packs of	Premium adaptor							Page
		1	2	3	4	5	6	7	
Construction width (B)		45 mm	45 mm	45 mm	55 mm	45 mm	55 mm	45 mm	
Length		208 mm	208 mm	208 mm	208 mm	208 mm	208 mm	272 mm	
Rated current up to		32 A	32 A	32 A	32 A	25 A	25 A	25 A	
Rated operating voltage		690 V~	690 V~	690 V~	690 V~	690 V~	690 V~	690 V~	
Connection of round conductors		1.5 – 6 mm ²	1.5 – 6 mm ²	1.5 – 6 mm ²	1.5 – 6 mm ²	1.5 – 4 mm ²	1.5 – 4 mm ²	1.5 – 4 mm ²	
With	Support frame	–	45 x 170 mm	45 x 170 mm	55 x 170 mm	45 x 170 mm	55 x 170 mm	45 x 237 mm	
	Support frame supports	–	–	–	–	–	–	■	
	PinBlock	–	–	■	–	–	–	■	
	Connector outlet	–	–	–	–	1)	1)	2)	
Number of support rails, height 10 mm		1	1	1	1	2 ³⁾	2 ³⁾	1	
Support rail with anti-slip guard ⁴⁾		■	■	■	–	–	–	■	
For 5/10 mm bar thickness Model No. SV	1	9340.510	9340.530	9340.550	9340.660	9340.910	9340.930	9340.900	

Accessories										
Cable set for OM adaptor	AWG 14	15	9340.850	9340.850	9340.850	9340.850	9340.850	9340.850	9340.850	402
	AWG 12	15	9340.860	9340.860	9340.860	9340.860	9340.860	9340.860	9340.860	402
	AWG 10	15	9340.870	9340.870	9340.870	9340.870	–	–	–	402
	AWG 8	6	–	–	–	–	–	–	–	402
	AWG 6	6	–	–	–	–	–	–	–	402
Connection pin	20	9340.280	9340.280	9340.280	9340.280	9340.280	9340.280	9340.280	9340.280	401
Insert strip 10 mm	2	9340.290	9340.290	9340.290	9340.290	9340.290	9340.290	9340.290	9340.290	400
OM support	45 x 208 mm	1	9340.260	9340.260	9340.260	9340.260	9340.260	9340.260	9340.260	368
	55 x 208 mm	1	9340.270	9340.270	9340.270	9340.270	9340.270	9340.270	9340.270	368
Support frame										401
PinBlock for support frame										402
PinBlock Plus										402
Support rails										404/405
ST-Combi connector										403

¹⁾ Supply includes: Connector with connection facility for 3 main contacts (1.5 – 4 mm²).

²⁾ Supply includes: Sub-unit with connection facility for 3 main contacts (1.5 – 4 mm²) and 8 auxiliary contacts (0.5 – 2.5 mm²) including connector.

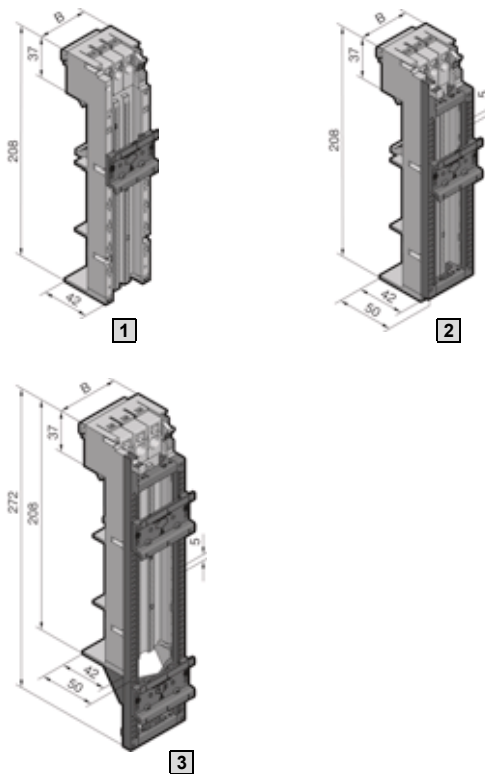
³⁾ The lower support rail with special latch is secured from behind with the support frame loosened.

⁴⁾ Anti-slip guard for motor circuit-breaker brands Moeller, Siemens and Telemecanique. Without anti-slip guard for universal applications.

Busbar systems Page 350 – 353 **Busbar connection adaptors** Page 356/357 **Connection clamps** Page 358 **OM/OT supports** Page 368/369
Component adaptors Page 359 – 361, 370/371 **Bus-mounting fuse bases** Page 372/373 **NH fused isolators** Page 374
NH bus-mounting on-load isolators Page 375 – 379 **Accessories** Page 400 – 411

Rittal RiLine60 busbar systems 800/1600 A (60 mm)

OM adaptors 65 A with tension spring clamp (3-pole)



Material:

Polyamide (PA 6.6),
25 % fibreglass-reinforced.
Continuous operating
temperature max. 130°C.
Fire protection corresponding
to UL 94-V0.

Note:

Overview of market switchgear
with allocation of the relevant
adaptor,
see page 1240.

Colour:

RAL 7035 (chassis)

B
2.2

Rittal RiLine60 busbar systems 800/1600 A (60 mm)

Design	Packs of	1	2	3	Page
Construction width (B)		55 mm	55 mm	55 mm	
Length		208 mm	208 mm	272 mm	
Rated current up to		65 A	65 A	65 A	
Rated operating voltage		690 V~	690 V~	690 V~	
Connection of round conductors		2.5 – 16 mm ²	2.5 – 16 mm ²	2.5 – 16 mm ²	
With	Support frame	–	55 x 170 mm	55 x 237 mm	
	Support frame supports	–	–	■	
Number of support rails, height 10 mm		1	1	2 ¹⁾	
Support rail with anti-slip guard ²⁾		■	■	■	
For 5/10 mm bar thickness Model No. SV	1	9340.610	9340.630	9340.650	

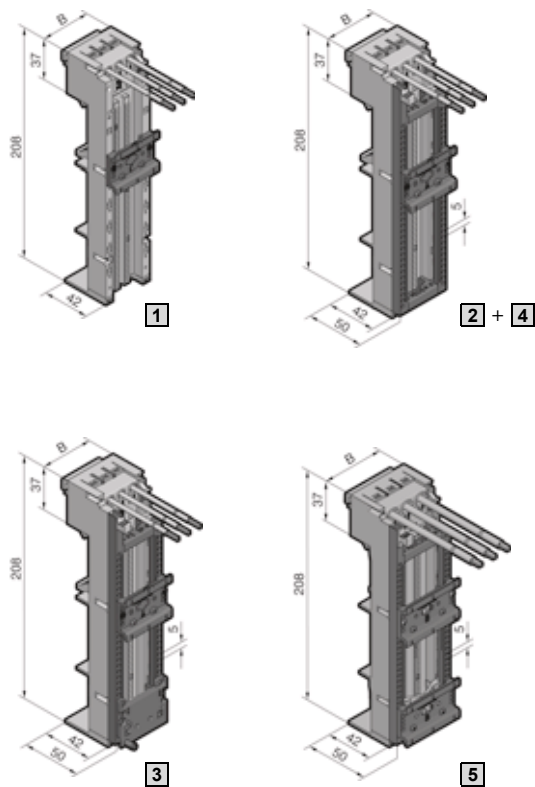
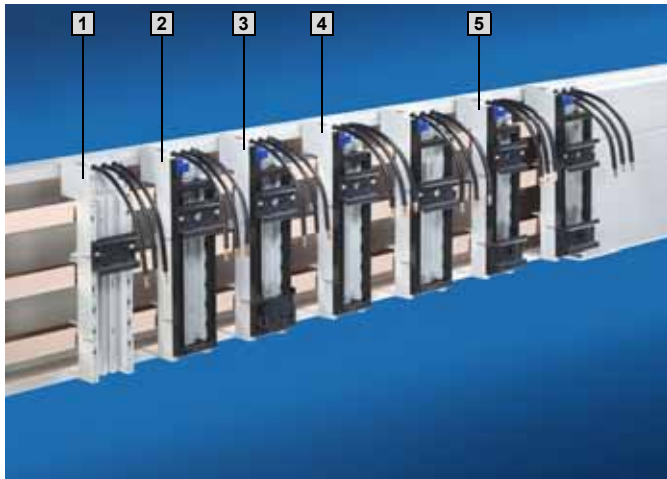
Accessories						
Cable set for OM adaptor	AWG 14	15	9340.850	9340.850	9340.850	402
	AWG 12	15	9340.860	9340.860	9340.860	402
	AWG 10	15	9340.870	9340.870	9340.870	402
	AWG 8	6	9340.880	9340.880	9340.880	402
	AWG 6	6	9340.890	9340.890	9340.890	402
Connection pin		20	9340.280	9340.280	9340.280	401
Insert strip 10 mm		2	9340.290	9340.290	9340.290	400
OM support	45 x 208 mm	1	9340.260	9340.260	9340.260	368
	55 x 208 mm	1	9340.270	9340.270	9340.270	368
Support frame						401
PinBlock for support frame						402
PinBlock Plus						402
Support rails						404/405

¹⁾ The lower support rail with special latch is attached from the rear with the support frame loosened.

²⁾ Anti-slip guard for motor circuit-breaker brands Moeller, Siemens and Telemecanique. Without anti-slip guard for universal applications.

Rittal RiLine60 busbar systems 800/1600 A (60 mm)

OM adaptors 25 A/32 A with connection cables (3-pole)



2.2

Rittal RiLine60 busbar systems 800/1600 A (60 mm)

Material:

Polyamide (PA 6.6),
25 % fibreglass-reinforced.
Continuous operating
temperature max. 130°C.
Fire protection corresponding
to UL 94-V0.

Colour:

RAL 7035 (chassis)

Note:

The technical data given in
the tables may vary for UL
applications;
see page 1235.

Overview of standard commer-
cially available switchgear
with allocation of the relevant
adaptor,
see page 1241.

Current carrying capacity of the
supply cables fitted as standard,
see page 1236.

Design	Packs of	1	2	3	4	5	4	5	Page
Construction width (B)		45 mm	45 mm	45 mm	45 mm	45 mm	55 mm	55 mm	
Length		208 mm	208 mm	208 mm	208 mm	208 mm	208 mm	208 mm	
Rated current up to		25 A	25 A	25 A	32 A	32 A	32 A	32 A	
Rated operating voltage		690 V~	690 V~	690 V~	690 V~	690 V~	690 V~	690 V~	
Connection cables ¹⁾		AWG 12	AWG 12	AWG 12	AWG 10	AWG 10	AWG 10	AWG 10	
With	Support frame	-	45 x 170 mm	45 x 170 mm	45 x 170 mm	45 x 170 mm	55 x 170 mm	55 x 170 mm	
	PinBlock	-	-	■	-	-	-	-	
Number of support rails, height	10 mm	1	1	1	1	2 ²⁾	1	2 ²⁾	
	Support rail with anti-slip guard ³⁾	■	■	■	■	-	-	-	
For 5/10 mm bar thickness Model No. SV	1	9340.310	9340.340	9340.370	9340.350	9340.380	9340.460	9340.470	
Accessories									
Connection pin	20	9340.280	9340.280	9340.280	9340.280	9340.280	9340.280	9340.280	401
Insert strip 10 mm	2	9340.290	9340.290	9340.290	9340.290	9340.290	9340.290	9340.290	400
OM support	45 x 208 mm	1	9340.260	9340.260	9340.260	9340.260	9340.260	9340.260	368
	55 x 208 mm	1	9340.270	9340.270	9340.270	9340.270	9340.270	9340.270	368
Support frame									401
PinBlock for support frame									402
PinBlock Plus									402
Support rails									404/405

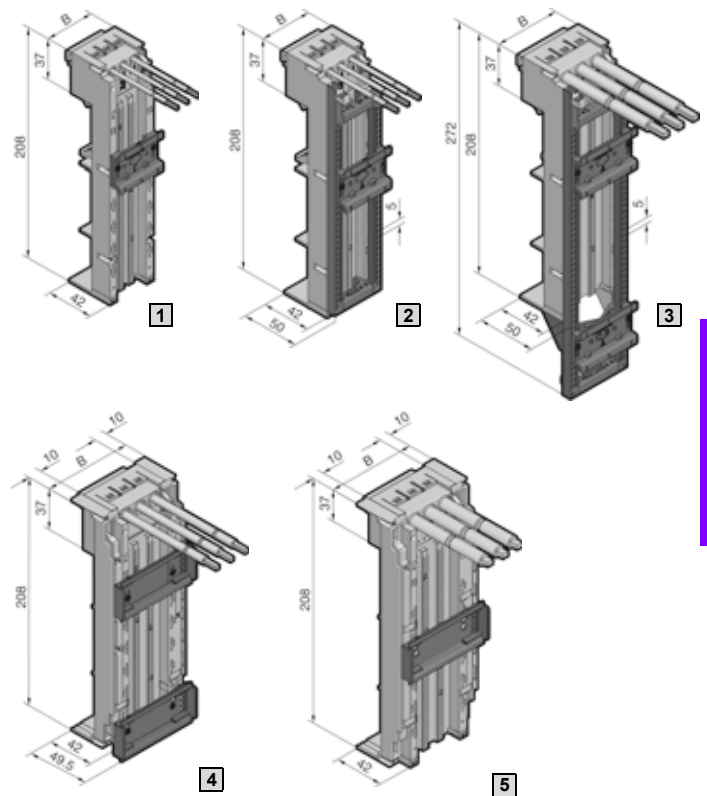
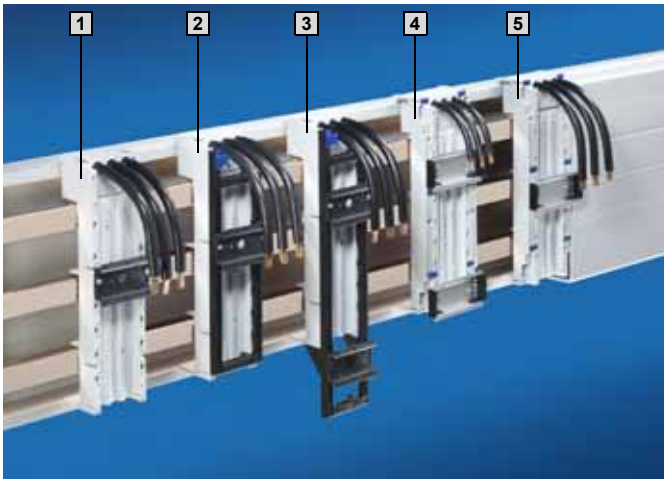
¹⁾ AWG = American Wire Gauges
AWG 12 = 3.31 mm² ± 4 mm²
AWG 10 = 5.26 mm² ± 6 mm²

²⁾ The lower support rail with special latch is secured from behind with the support frame loosened.

³⁾ Anti-slip guard for motor circuit-breaker brands Moeller, Siemens and Telemecanique. Without anti-slip guard for universal applications.

Rittal RiLine60 busbar systems 800/1600 A (60 mm)

OM adaptors 40 A/65 A with connection cables (3-pole)



Material:

Polyamide (PA 6.6),
25 % fibreglass-reinforced.
Continuous operating
temperature max. 130°C.
Fire protection corresponding
to UL 94-V0.

Colour:

RAL 7035 (chassis)

Note:

The technical data given in
the tables may vary for UL
applications;
see page 1235.

Overview of standard commer-
cially available switchgear
with allocation of the relevant
adaptor,
see page 1241.

Current carrying capacity of the
supply cables fitted as standard,
see page 1236.

B
2.2

Rittal RiLine60 busbar systems 800/1600 A (60 mm)

Design	Packs of	1	2	3	4	5	Page
Construction width (B)		55 mm	55 mm	55 mm	75 mm	75 mm	
Length		208 mm	208 mm	272 mm	208 mm	208 mm	
Rated current up to		65 A	65 A	65 A	40 A	65 A	
Rated operating voltage		690 V~	690 V~	690 V~	690 V~	690 V~	
Connection cables ¹⁾		AWG 6	AWG 6	AWG 6	AWG 8	AWG 6	
With	Support frame	–	55 x 170 mm	55 x 237 mm	–	–	
	Support frame supports	–	–	■	–	–	
	Insert strips	–	–	–	■	■	
Number of support rails, height	10 mm	1	1	2 ²⁾	–	–	
	7.5 mm	–	–	–	2	1	
Support rail with anti-slip guard ³⁾		■	■	■	–	–	
For 5/10 mm bar thickness Model No. SV	1	9340.410	9340.430	9340.450	9340.710	9340.700	
Accessories							
Connection pin	20	9340.280	9340.280	9340.280	9340.280	9340.280	401
Insert strip 10 mm	2	9340.290	9340.290	9340.290	9340.290	9340.290	400
OM support	45 x 208 mm	1	9340.260	9340.260	9340.260	9340.260	368
	55 x 208 mm	1	9340.270	9340.270	9340.270	9340.270	368
Support frame							401
PinBlock for support frame							402
PinBlock Plus							402
Support rails							404/405

¹⁾ AWG = American Wire Gauges

AWG 8 = 8.37 mm² ± 10 mm²

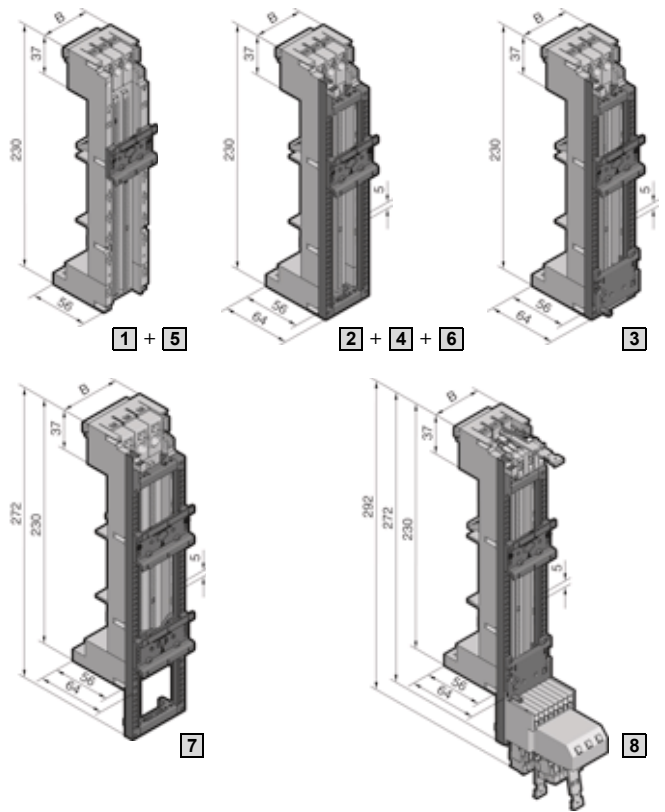
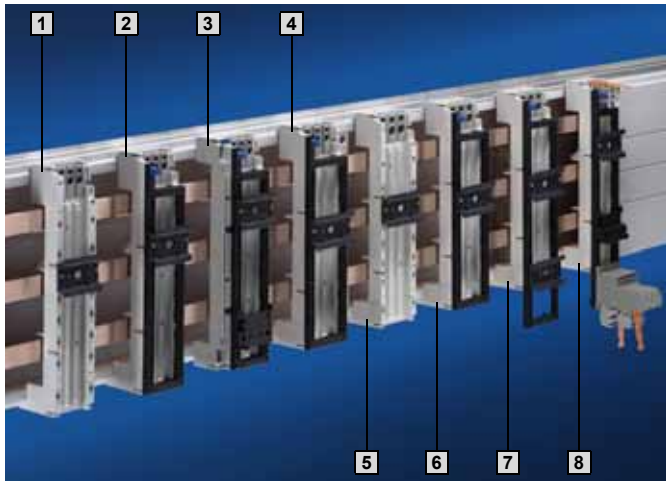
AWG 6 = 13.3 mm² ± 16 mm²

²⁾ The lower support rail with special latch is secured from behind with the support frame loosened.

³⁾ Anti-slip guard for motor circuit-breaker brands Moeller, Siemens and Telemecanique. Without anti-slip guard for universal applications.

Rittal RiLine60 busbar systems 800/1600 A (60 mm)

OT adaptors 32 A/65 A with tension spring clamp/OT Premium adaptors 25 A (3-pole)



2.2

Rittal RiLine60 busbar systems 800/1600 A (60 mm)

Material:

Polyamide (PA 6.6),
25 % fibreglass-reinforced.
Continuous operating
temperature max. 130°C.
Fire protection corresponding
to UL 94-V0.

Colour:

RAL 7035 (chassis)

Note:

OT adaptors may only be used
with 10 mm thick busbars or
Rittal PLS 800/1600. Maximum
support spacing 300 mm.

Overview of standard commer-
cially available switchgear
with allocation of the relevant
adaptor,
see page 1242.

Design	Packs of	1	2	3	4	5	6	7	Premium adaptor 8	Page
Construction width (B)		45 mm	45 mm	45 mm	55 mm	55 mm	55 mm	55 mm	45 mm	
Length		230 mm	230 mm	230 mm	230 mm	230 mm	230 mm	272 mm	272 mm	
Rated current up to		32 A	32 A	32 A	32 A	65 A	65 A	65 A	25 A	
Rated operating voltage		690 V~	690 V~	690 V~	690 V~	690 V~	690 V~	690 V~	690 V~	
Connection of round conductors		1.5 – 6 mm ²	1.5 – 6 mm ²	1.5 – 6 mm ²	1.5 – 6 mm ²	2.5 – 16 mm ²	2.5 – 16 mm ²	2.5 – 16 mm ²	1.5 – 4 mm ²	
With	Support frame	–	45 x 195 mm	45 x 195 mm	55 x 195 mm	–	55 x 195 mm	55 x 237 mm	45 x 237 mm	
	PinBlock	–	–	■	–	–	–	–	■	
	Connector outlet ¹⁾	–	–	–	–	–	–	–	■	
Number of support rails, height 10 mm		1	1	1	1	1	1	2 ²⁾	1	
Support rail with anti-slip guard ³⁾		■	■	■	–	■	■	■	■	
For 5/10 mm bar thickness Model No. SV	1	9341.510	9341.530	9341.550	9341.660	9341.610	9341.630	9341.650	9341.900	

Also required

Base tray 351, 353

Base tray reinforcement 351, 353

Accessories

Cable set for OT adaptor	AWG 14	15	9340.850	9340.850	9340.850	9340.850	9340.850	9340.850	9340.850	9340.850	402
	AWG 12	15	9340.860	9340.860	9340.860	9340.860	9340.860	9340.860	9340.860	9340.860	402
	AWG 10	15	9340.870	9340.870	9340.870	9340.870	9340.870	9340.870	9340.870	–	402
	AWG 8	6	–	–	–	–	9340.880	9340.880	9340.880	–	402
	AWG 6	6	–	–	–	–	9340.890	9340.890	9340.890	–	402
Connection pin	20	9340.280	9340.280	9340.280	9340.280	9340.280	9340.280	9340.280	9340.280	9340.280	401
Insert strip 10 mm	2	9341.290	9341.290	9341.290	9341.290	9341.290	9341.290	9341.290	9341.290	9341.290	400
OT support	45 x 230 mm	1	9341.260	9341.260	9341.260	9341.260	9341.260	9341.260	9341.260	9341.260	369
	55 x 230 mm	1	9341.270	9341.270	9341.270	9341.270	9341.270	9341.270	9341.270	9341.270	369
Support frame											401
PinBlock for support frame											402
PinBlock Plus											402
Support rails											404/405
ST-Combi connector											403

¹⁾ Supply includes: Sub-unit with connection facility for 3 main contacts (1.5 – 4 mm²) and 8 auxiliary contacts (0.5 – 2.5 mm²) including connector.

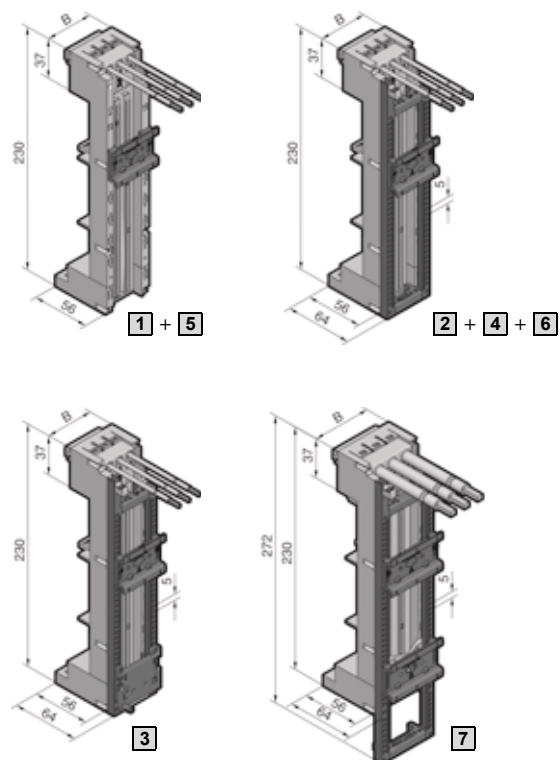
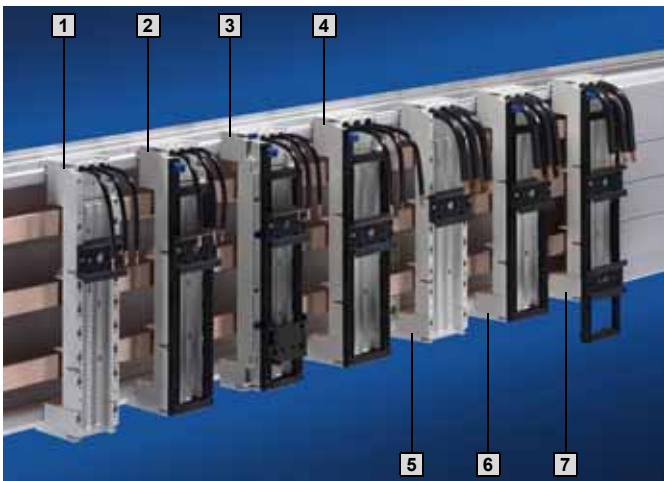
²⁾ The lower support rail with special latch is secured from behind with the support frame loosened.

³⁾ Anti-slip guard for motor circuit-breaker brands Moeller, Siemens and Telemecanique. Without anti-slip guard for universal applications.

Busbar systems Page 350 – 353 **Busbar connection adaptors** Page 356/357 **Connection clamps** Page 358 **OM/OT supports** Page 368/369
Component adaptors Page 359 – 361, 370/371 **Bus-mounting fuse bases** Page 372/373 **NH fused isolators** Page 374
NH bus-mounting on-load isolators Page 375 – 379 **Accessories** Page 400 – 411

Rittal RiLine60 busbar systems 800/1600 A (60 mm)

OT adaptors 25 A/32 A/65 A with connection cables (3-pole)



Material:

Polyamide (PA 6.6),
25 % fibreglass-reinforced.
Continuous operating
temperature max. 130°C.
Fire protection corresponding
to UL 94-V0.

Colour:

RAL 7035 (chassis)

Note:

OT adaptors may only be used
with 10 mm thick busbars or
Rittal PLS 800/1600. Maximum
support spacing 300 mm.

The technical data given in
the tables may vary for UL
applications;
see page 1235.

Overview of standard commer-
cially available switchgear
with allocation of the relevant
adaptor,
see page 1243.

Current carrying capacity of the
supply cables fitted as standard,
see page 1236.

Design	Packs of	1	2	3	4	5	6	7	Page
Construction width (B)		45 mm	45 mm	45 mm	55 mm	55 mm	55 mm	55 mm	
Length		230 mm	230 mm	230 mm	230 mm	230 mm	230 mm	272 mm	
Rated current up to		25 A	25 A	25 A	32 A	65 A	65 A	65 A	
Rated operating voltage		690 V~	690 V~	690 V~	690 V~	690 V~	690 V~	690 V~	
Connection cables ¹⁾		AWG 12	AWG 12	AWG 12	AWG 10	AWG 6	AWG 6	AWG 6	
With	Support frame	–	45 x 195 mm	45 x 195 mm	55 x 195 mm	–	55 x 195 mm	55 x 237 mm	
	PinBlock	–	–	■	–	–	–	–	
Number of support rails, height 10 mm		1	1	1	1	1	1	2 ²⁾	
Support rail with anti-slip guard ³⁾		■	■	■	–	■	■	■	
For 5/10 mm bar thickness Model No. SV	1	9341.310	9341.340	9341.370	9341.460	9341.410	9341.430	9341.450	

Also required

Base tray	351, 353
Base tray reinforcement	351, 353

Accessories

Connection pin	20	9340.280	9340.280	9340.280	9340.280	9340.280	9340.280	9340.280	401
Insert strip 10 mm	2	9341.290	9341.290	9341.290	9341.290	9341.290	9341.290	9341.290	400
OT support	45 x 230 mm	1	9341.260	9341.260	9341.260	9341.260	9341.260	9341.260	369
	55 x 230 mm	1	9341.270	9341.270	9341.270	9341.270	9341.270	9341.270	369
Support frame									401
PinBlock for support frame									402
PinBlock Plus									402
Support rails									404/405

¹⁾ AWG = American Wire Gauges
AWG 12 = 3.31 mm² ± 4 mm²
AWG 10 = 5.26 mm² ± 6 mm²
AWG 6 = 13.3 mm² ± 16 mm²

²⁾ The lower support rail with special latch is secured from behind with the support frame loosened.

³⁾ Anti-slip guard for motor circuit-breaker brands Moeller, Siemens and Telemecanique. Without anti-slip guard for universal applications.

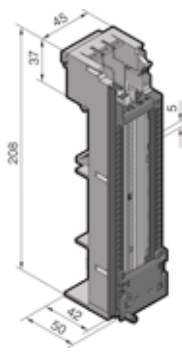
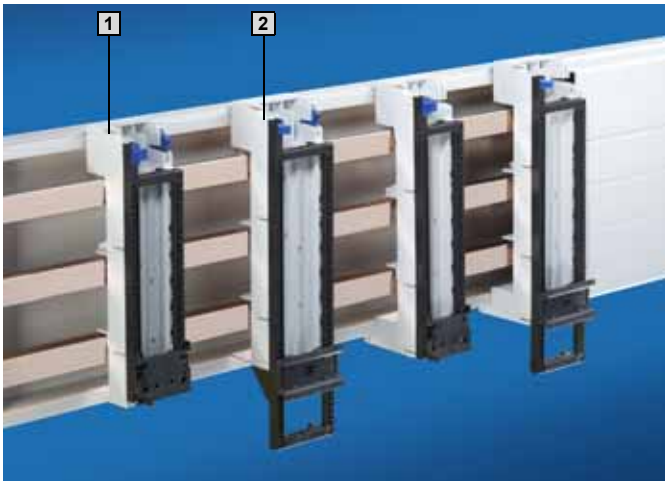
Busbar systems Page 350 – 355 **Busbar connection adaptors** Page 356/357 **Connection clamps** Page 358 **OM/OT supports** Page 368/369
Component adaptors Page 359 – 361, 370/371 **Bus-mounting fuse bases** Page 372/373 **NH fused isolators** Page 374
NH bus-mounting on-load isolators Page 375 – 379 **Accessories** Page 400 – 411

B
2.2

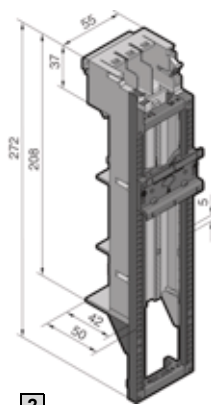
Rittal RiLine60 busbar systems 800/1600 A (60 mm)

Rittal RiLine60 busbar systems 800/1600 A (60 mm)

OM supports without contact system (3-pole)



1



2

2.2

Rittal RiLine60 busbar systems 800/1600 A (60 mm)

Material:

Polyamide (PA 6.6),
25 % fibreglass-reinforced.
Continuous operating
temperature max. 130°C.
Fire protection corresponding
to UL 94-V0.

Note:

Suitable for use in UL
applications.

Colour:

RAL 7035 (chassis)

Design	Packs of	1	2	Page
Construction width		45 mm	55 mm	
Length		208 mm	272 mm	
With		45 x 170 mm	55 x 237 mm	
Support frame				
Support frame supports		–	■	
PinBlock		■	–	
Number of support rails, height 10 mm		–	1 ¹⁾	
For 5/10 mm bar thickness Model No. SV	1	9340.260	9340.270	

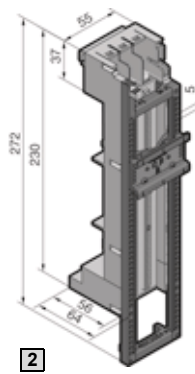
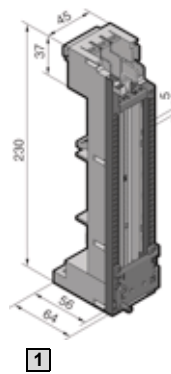
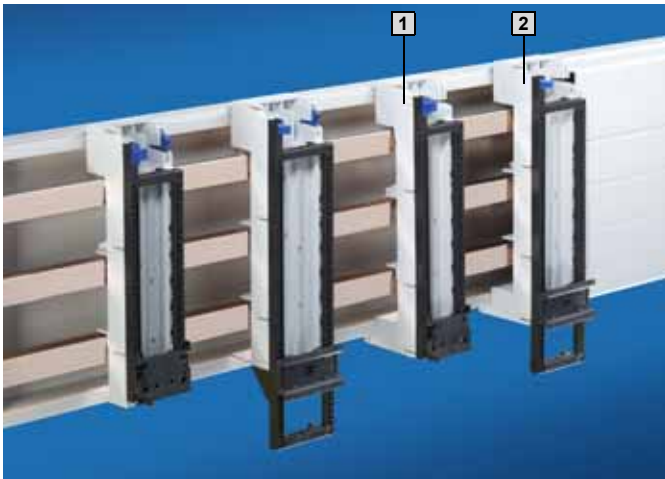
Accessories

Connection pin	20	9340.280	9340.280	401
Insert strip 10 mm	2	9340.290	9340.290	400
Support frame				401
PinBlock for support frame				402
PinBlock Plus				402
Support rails				404/405

¹⁾ The support rail with special latch is attached from the rear with the support frame loosened.

Rittal RiLine60 busbar systems 800/1600 A (60 mm)

OT supports without contact system (3-pole)



Material:

Polyamide (PA 6.6),
25 % fibreglass-reinforced.
Continuous operating
temperature max. 130°C.
Fire protection corresponding
to UL 94-V0.

Colour:

RAL 7035 (chassis)

Note:

OT supports may only be used
with 10 mm thick busbars or
Rittal PLS 800/1600. Maximum
support spacing 300 mm.

Suitable for use in UL
applications.

B
2.2

Rittal RiLine60 busbar systems 800/1600 A (60 mm)

Design	Packs of	1	2	Page
Construction width		45 mm	55 mm	
Length		230 mm	272 mm	
With				
Support frame		45 x 195 mm	55 x 237 mm	
PinBlock		■	–	
Number of support rails, height 10 mm		–	1 ¹⁾	
For 5/10 mm bar thickness				
Model No. SV	1	9341.260	9341.270	

Also required

Base tray				351, 353
Base tray reinforcement				351, 353

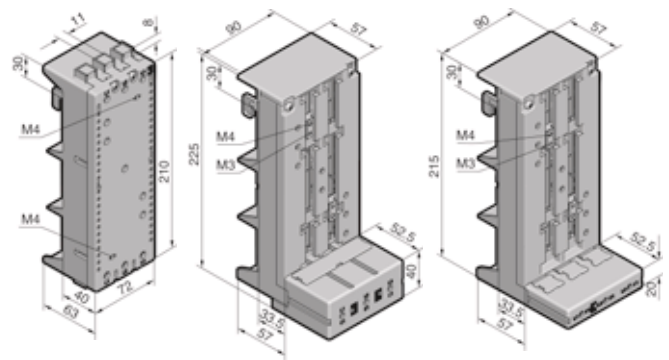
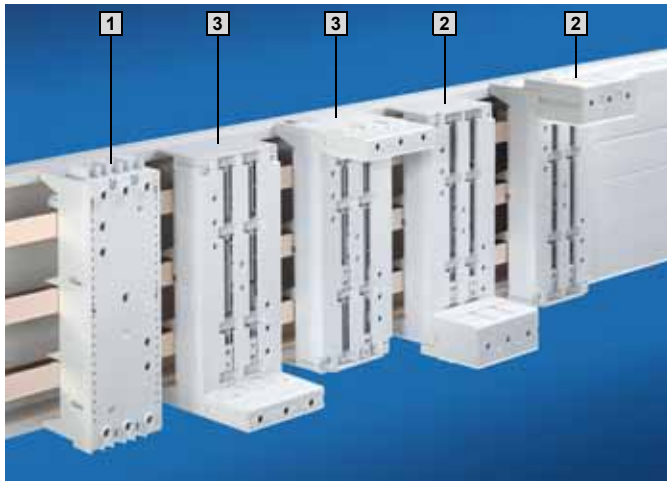
Accessories

Connection pin	20	9340.280	9340.280	401
Insert strip 10 mm	2	9341.290	9341.290	400
Support frame				401
PinBlock for support frame				402
PinBlock Plus				402
Support rails				404/405

¹⁾The support rail with special latch is attached from the rear with the support frame loosened.

Rittal RiLine60 busbar systems 800/1600 A (60 mm)

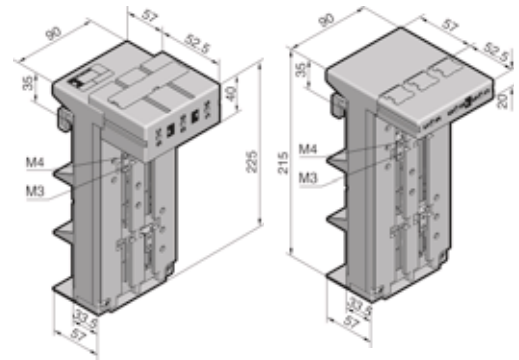
Component adaptors 100 A/circuit-breaker component adaptors 125 A, 160 A (3-pole)



1 SV 9342.400/
SV 9342.410

2 SV 9342.540

3 SV 9342.500



2 SV 9342.550

3 SV 9342.510

Material:

Polyamide (PA 6.6),
25 % fibreglass-reinforced.
Continuous operating
temperature max. 130°C.
Fire protection corresponding
to UL 94-V0.

Colour:
RAL 7035

Supply includes Circuit-breaker component adaptor:

Terminal cover and sliding
blocks for switchgear
attachment.

Note:

The technical data given in
the tables may vary for UL
applications;
see page 1235.

Design	Packs of	1 Component adaptor	2 Circuit-breaker component adaptor	3 Circuit-breaker component adaptor	Page
Construction width		72 mm	90 mm	90 mm	
Length		210 mm	225 mm	215 mm	
Rated current up to		100 A	125 A	160 A	
Rated operating voltage		690 V~	690 V~		
Connection clamp		Box terminal	Box terminal		
Connection of round conductors		10 – 35 mm ²	35 – 120 mm ²		
Clamping area for laminated copper bars		10 x 7.8 mm	18.5 x 15.5 mm		
Tightening torque					
● Terminal screw		2 – 3 Nm	8 – 10 Nm		
● Bar attachment		2 Nm	4 – 6 Nm		
For switchgear make/model	ABB	MS 497	S2, T1, T2		
	GE	–	FD		
	Merlin Gerin	–	NS80, NSC100		
	Moeller Electric	PKZ2 ¹⁾	NZM1		
	Siemens	S3	–		
	Telemecanique	GV3 ¹⁾	–		
Universal application	■ ¹⁾	–			
For bar thickness		5/10 mm	5/10 mm		
Cable outlet at the top ²⁾ Model No. SV	1	9342.400	9342.540	9342.500³⁾	
Cable outlet at the bottom ²⁾ Model No. SV	1	9342.410	9342.550	9342.510³⁾	

Accessories

Support rail Width 72 mm, height 15 mm	5	9320.120	–	–	405
Sliding block	6	–	9342.560	9342.560	401
Connection bracket		–	■	■	403

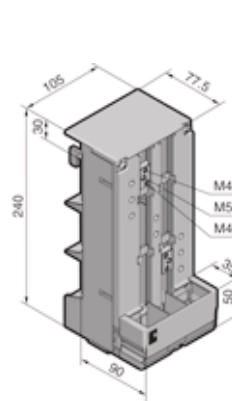
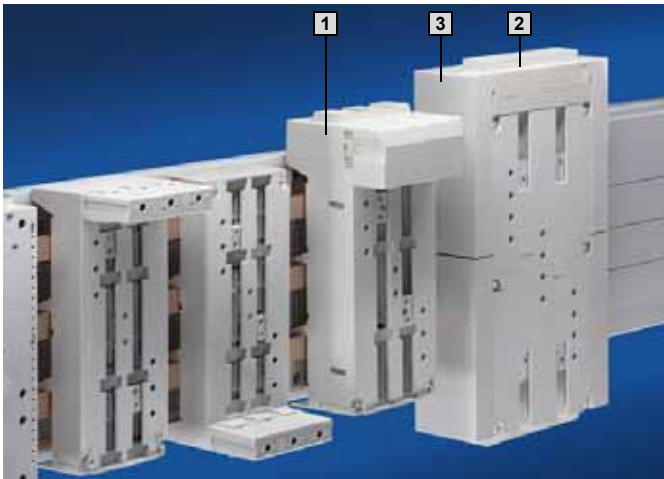
¹⁾ Mounting only possible with support rail SV 9320.120.

²⁾ Switch outlet or outgoing cable.

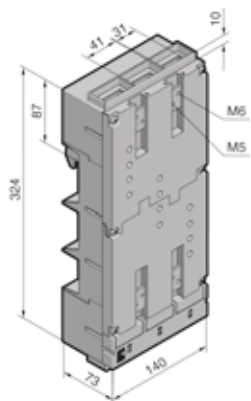
³⁾ Not suitable for UL applications.

Rittal RiLine60 busbar systems 800/1600 A (60 mm)

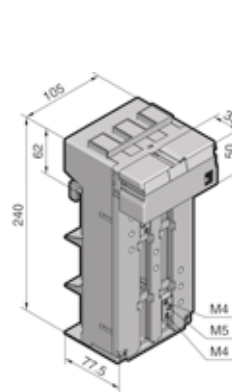
Circuit-breaker component adaptors 250 A/630 A (3-pole)



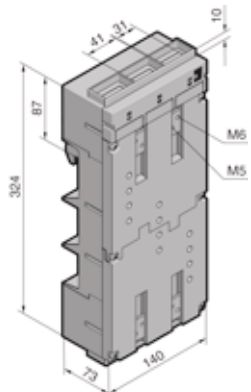
1 SV 9342.600



2 SV 9342.700



1 SV 9342.610



2 SV 9342.710

Material:

Polyamide (PA 6.6),
25 % fibreglass-reinforced.
Continuous operating
temperature max. 130°C.
Fire protection corresponding
to UL 94-V0.

Colour:

RAL 7035

Supply includes:

Terminal cover and sliding
blocks for switchgear
attachment.

Note:

The technical data given in
the tables may vary for UL
applications;
see page 1235.

B
2.2

Rittal RiLine60 busbar systems 800/1600 A (60 mm)

Design	Packs of	1	2	Page
Construction width		105 mm	140 mm	
Length		240 mm	324 mm	
Rated current up to		250 A	630 A ²⁾	
Rated operating voltage		690 V~	690 V~	
Connection clamp		Box terminal	Screw terminal M10	
Connection of round conductors		35 – 120 mm ²	max. 150 mm ² 3)	
Clamping area for laminated copper bars		18.5 x 15.5 mm	32 x 10 mm	
Tightening torque				
● Terminal screw		8 – 10 Nm	30 – 32 Nm	
● Bar attachment		4 – 6 Nm	12 – 14 Nm	
For switchgear make/model	ABB	S3, T3, T4	S5, T5	
	GE	FE	–	
	Merlin Gerin	NS100, NS160, NS250	NS400, NS630	
	Moeller Electric	NZM2	NZM3	
	Siemens	VL160X, VL160, VL250	VL400, VL630 ⁴⁾	
Telemecanique	GV7	–		
For bar thickness		5/10 mm	5/10 mm	
Cable outlet at the top ¹⁾ Model No. SV	1	9342.600	9342.700	
Cable outlet at the bottom ¹⁾ Model No. SV	1	9342.610	9342.710	

Accessories

Accessories	Packs of	1	2	Page
3 Insert strip 25 mm to extend the construction width from 140 mm to 190 mm	4 (1 set)	–	9342.720	400
Sliding block	6	9342.640	–	401
Connection bracket		■	■	403

¹⁾ Switch outlet or outgoing cable.

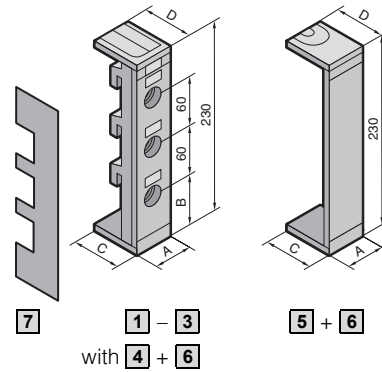
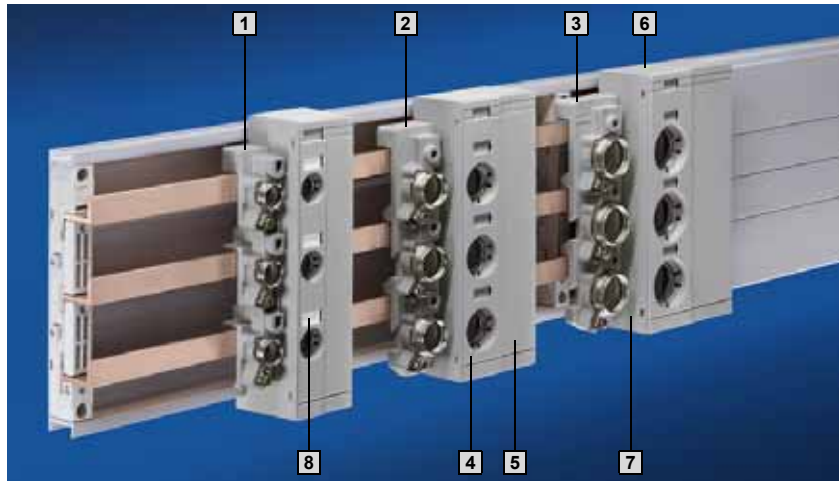
²⁾ Derating may be necessary, depending on the application.

³⁾ With ring terminal.

⁴⁾ Also required: Insert strip 25 mm (SV 9342.720).

Rittal RiLine60 busbar systems 800/1600 A (60 mm)

Bus-mounting fuse bases (3-pole)



B
2.2

Rittal RiLine60 busbar systems 800/1600 A (60 mm)

Material:
Bus-mounting fuse base:
Fibreglass-reinforced,
thermoplastic polyester (PBT).
Continuous operating
temperature max. 140°C.
Fire protection corresponding
to UL 94-V0.

Colour:
RAL 7035

Contact hazard protection cover:
Polyamide (PA 6.6).
Continuous operating
temperature max. 105°C.
Fire protection corresponding
to UL 94-V0.

For clamping screw attachment	Packs of	1	2	3
Type		D 02-E 18 (adaptor sleeve)	D II-E 27 (adaptor screw)	D III-E 33 (adaptor screw)
Width (A)		27 mm	42 mm	57 mm
Rated current		63 A	25 A	63 A
Rated operating voltage		400 V~	500 V~	690 V~
Terminal for round conductors ¹⁾		1.5 – 16 mm ²	1.5 – 16 mm ²	1.5 – 16 mm ²
Tightening torque				
● Assembly screw		2 Nm	2 Nm	2 Nm
● Terminal screw		2.5 Nm	2.5 Nm	2.5 Nm
For 5/10 mm bar thickness	10	3418.000	3427.000	3433.000
Model No. SV				

Accessories				
4 Contact hazard protection cover Model No. SV	10	3419.000	3428.000	3434.000
5 Extension cover Model No. SV	10	3421.000	3430.000	3436.000
6 End caps for rail system with base tray Model No. SV	10	3420.010	3429.010	3435.010
End caps for rail system without base tray Model No. SV	10	3420.000	3429.000	3435.000
7 Side cover Model No. SV	10	3093.000	3093.000	3093.000
8 Identification labels Model No. SV	100	9320.080	9320.080	9320.080
Width (A) mm		27	42	57
Spacing (B) mm		57	40	40
Depth (C) mm ²⁾		67	71.5	71.5
Depth (D) mm ³⁾	with base tray	47	51.5	51.5
for rail system	without base tray	67	71.5	71.5

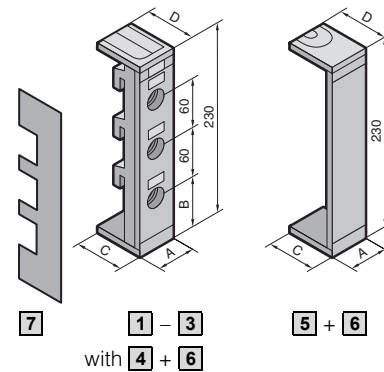
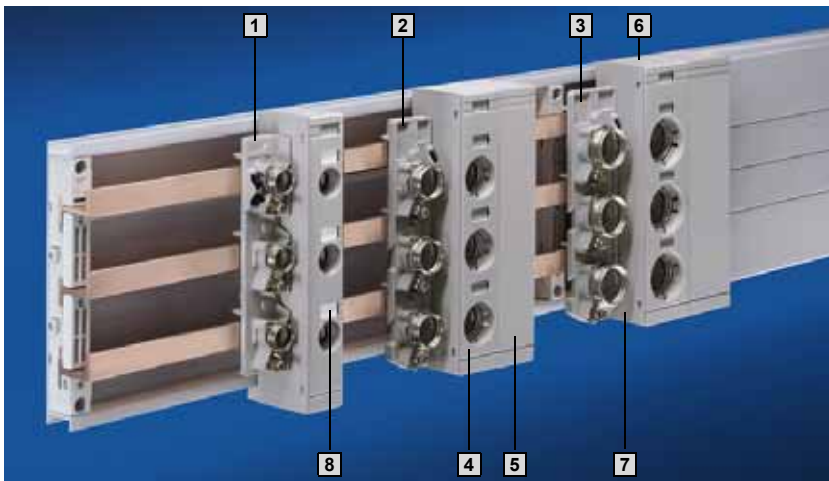
¹⁾ Wire end ferrules should be used with fine wire conductors.

²⁾ Bottom end cap

³⁾ Top end cap

Rittal RiLine60 busbar systems 800/1600 A (60 mm)

Bus-mounting fuse bases (3-pole)



Material:

Bus-mounting fuse base:
Fibreglass-reinforced,
thermoplastic polyester (PBT).
Continuous operating
temperature max. 140°C.
Fire protection corresponding
to UL 94-V0.

Colour:

RAL 7035

Contact hazard protection cover:

Polyamide (PA 6.6).
Continuous operating
temperature: max. 105°C.
Fire protection corresponding
to UL 94-V0.

For snap-on mounting	Packs of	[1]	[2]	[3]
Type		D 02-E 18 (adaptor sleeve)	D II-E 27 (gauge ring)	D III-E 33 (gauge ring)
Width (A)		36 mm	42 mm	57 mm
Rated current		63 A	25 A	63 A
Rated operating voltage		400 V~	500 V~	690 V~
Terminal for round conductors ¹⁾		1.5 – 16 mm ²	1.5 – 16 mm ²	1.5 – 16 mm ²
Tightening torque ● Terminal screw		2.5 Nm	2.5 Nm	2.5 Nm
For 5 mm bar thickness Model No. SV	10	3422.000	3520.000	3530.000
For 10 mm bar thickness Model No. SV	10	3423.000	3521.000	3531.000

Accessories				
[4] Contact hazard protection cover Model No. SV	10	3424.000	3428.000	3434.000
[5] Extension cover Model No. SV	10	–	3430.000	3436.000
[6] End caps for rail system with base tray Model No. SV	10	3425.010	3429.010	3435.010
[6] End caps for rail system without base tray Model No. SV	10	3425.000	3429.000	3435.000
[7] Side cover Model No. SV	10	3093.000	3093.000	3093.000
[8] Identification labels Model No. SV	100	9320.080	9320.080	9320.080
Width (A) mm		36	42	57
Spacing (B) mm		57	40	40
Depth (C) mm ²⁾		67	71.5	71.5
Depth (D) mm ³⁾				
for rail system		with base tray	47	51.5
		without base tray	67	71.5

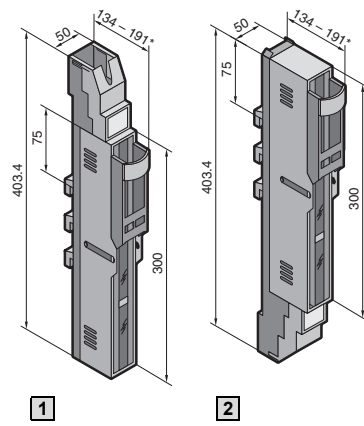
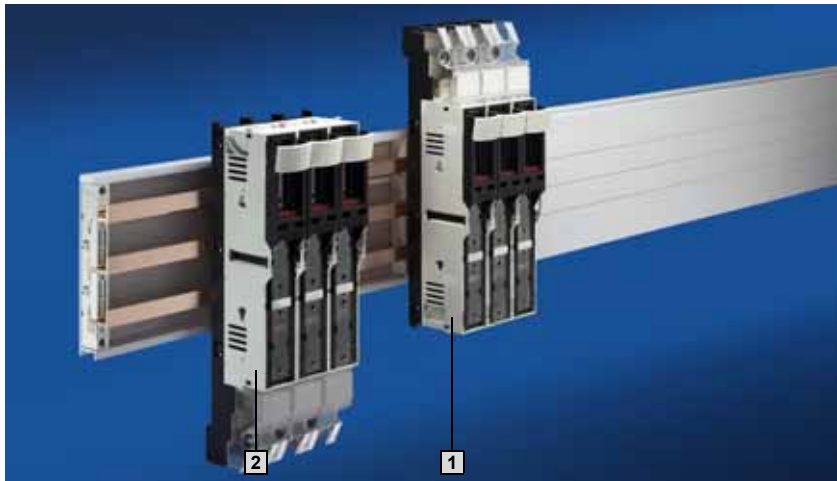
¹⁾ Wire end ferrules should be used with fine wire conductors.

²⁾ Bottom end cap

³⁾ Top end cap

Rittal RiLine60 busbar systems 800/1600 A (60 mm)

NH fused isolators, size 00 (3-pole)



1

2

* Off-load position

2.2

Rittal RiLine60 busbar systems 800/1600 A (60 mm)

Material:

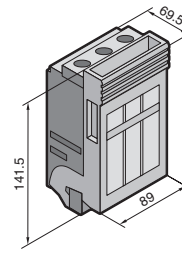
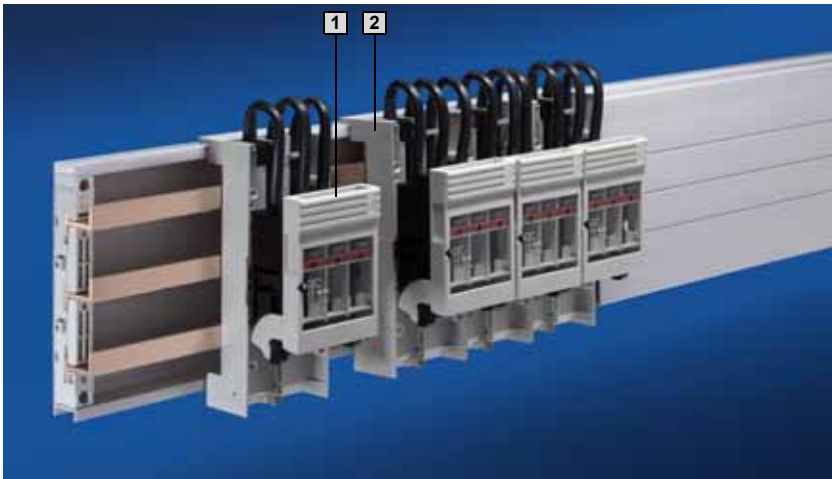
Cover, strip chassis:
Fibreglass-reinforced polyamide
Contact tracks:
Silver-plated hard copper

Technical information, see page 1244.

Design	Packs of	1	2	Page
Size		Size 00	Size 00	
Rated current		160 A	160 A	
Rated operating voltage		690 V~	690 V~	
Cable outlet		top	bottom	
Type of connection		Screw M8	Screw M8	
Tightening torque		6 Nm 14 Nm	6 Nm 14 Nm	
• Assembly screw				
• Terminal screw				
For bar thickness		5/10 mm	5/10 mm	
Model No. SV	1	3591.020	3591.030	
Accessories				
Side panel	2	9341.230	9341.230	405
Identification label support	6	3595.010	3595.010	406
Micro-switch	5	3071.000	3071.000	406
Lug terminal connection parts	1 set	3592.020	3592.020	407
Clamp-type terminal connection	1 set	3592.010	3592.010	407

Rittal RiLine60 busbar systems 800/1600 A (60 mm)

NH on-load isolators, size 000 (3-pole)



Material:

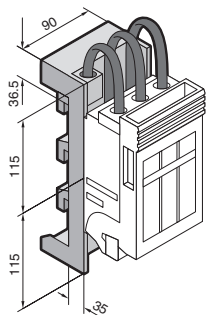
Chassis, lid, contact hazard protection:
Fibreglass-reinforced polyamide
Contact tracks:
Silver-plated hard copper

Technical information,

see page 1246.

Size	Packs of	Size 000	Page
Rated current		100 A (160 A) ¹⁾	
Rated operating voltage		690 V~	
Cable outlet		top/bottom	
Type of connection		Terminal	
Connection of round conductors		1.5 – 50 mm ²	
Clamping area for laminated copper bars		10 x 10 mm	
Tightening torque		3 Nm	
● Terminal screw			
1 Model No. SV	1	3431.000	
Also required			
Busbar adaptor		see below	
Accessories			
Micro-switch	5	3071.000	406

¹⁾ 160 A at 95 mm² connection cross-section (95 mm² connector pieces available on request).



2 Busbar adaptor

For mounting SV 3431.000 on 60 mm busbar systems.

Material:

Fibreglass-reinforced, thermoplastic polyester (PBT).
Continuous operating temperature: max. 140°C.
Fire protection corresponding to UL 94-V0.

Colour:

RAL 7035

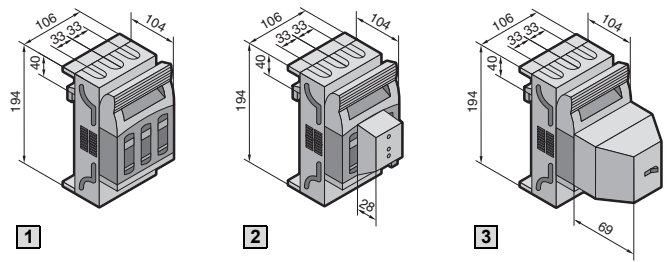
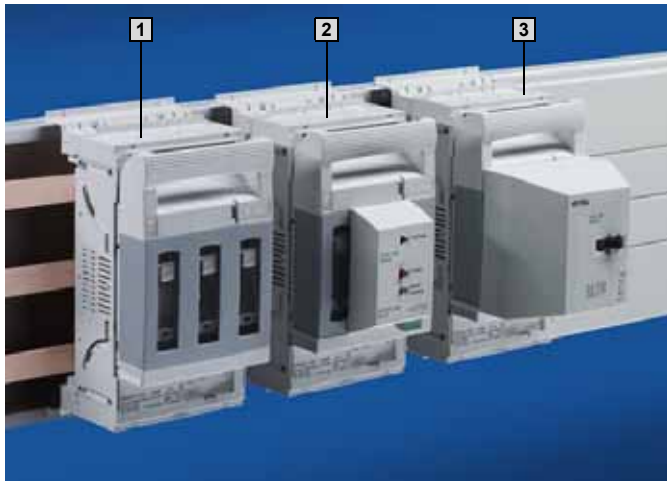
Supply includes:

35 mm² connection cables fitted as standard.

For bar thickness mm	Packs of	Model No. SV
5	1	9320.040
10	1	9320.050

Rittal RiLine60 busbar systems 800/1600 A (60 mm)

NH bus-mounting on-load isolators, size 00 (3-pole)



2.2

Rittal RiLine60 busbar systems 800/1600 A (60 mm)

Material:

Chassis, lid, contact hazard protection: Polyamide PA6
Contact tracks:
Electrolytic copper, silver-plated

Supply includes:

Top and bottom covers.

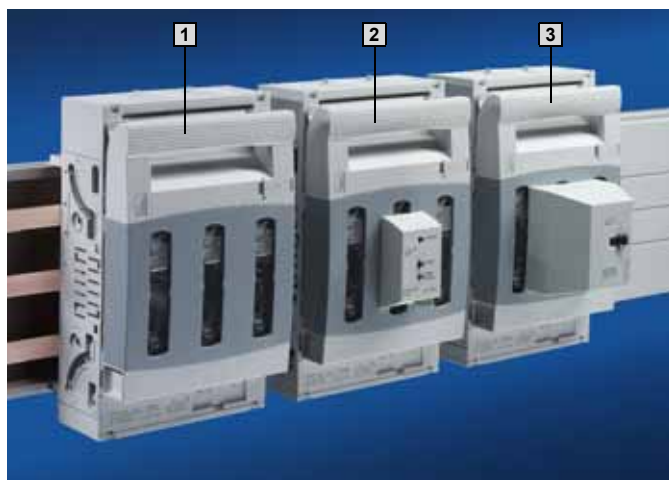
Technical information,
see page 1244 – 1246.

Size	Packs of	Size 00		Page
Rated current		160 A		
Rated operating voltage		690 V~/500 V~ ¹⁾		
Cable outlet		top/bottom		
Type of connection		Box terminal	Screw M8	
Connection of round conductors		4 – 95 mm ²	up to 95 mm ²	
Clamping area for laminated copper bars		13 x 13 mm	20 x 5 mm	
Tightening torque				
● Assembly screw		6 Nm	6 Nm	
● Terminal screw		4.5 Nm	12 Nm	
For bar thickness		5/10 mm	5/10 mm	
1 Model No. SV	1	9343.000	9343.010	
2 with electronic fuse monitoring ¹⁾ Model No. SV	1	9343.020	9343.030	
3 with electromechanical fuse monitoring Model No. SV	1	9343.040	9343.050	
Accessories				
Micro-switch	5	3071.000	3071.000	406
Connection space cover	2	9344.520	9344.520	406
Prism terminal	3	–	9344.600	407
Laminated copper bars		■	■	411

¹⁾ Rated operating voltage 400 V~ to 500 V~ for NH isolators with electronic fuse monitoring.

Rittal RiLine60 busbar systems 800/1600 A (60 mm)

NH bus-mounting on-load isolators, size 1 (3-pole)



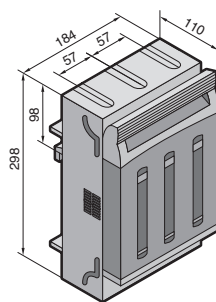
Material:

Chassis, lid, contact hazard protection: Polyamide PA6
Contact tracks: Electrolytic copper, silver-plated

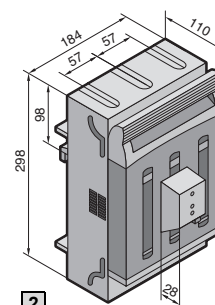
Supply includes:

Top and bottom covers.

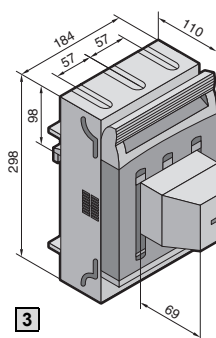
Technical information, see page 1244 – 1246.



1



2



3

B
2.2

Rittal RiLine60 busbar systems 800/1600 A (60 mm)

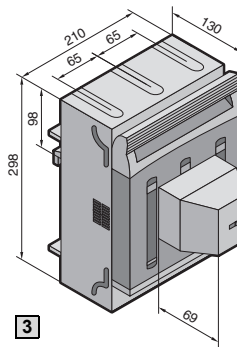
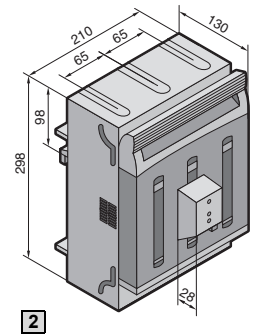
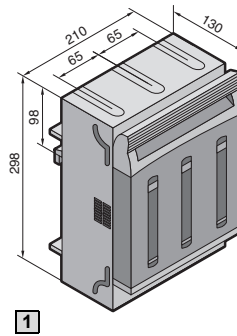
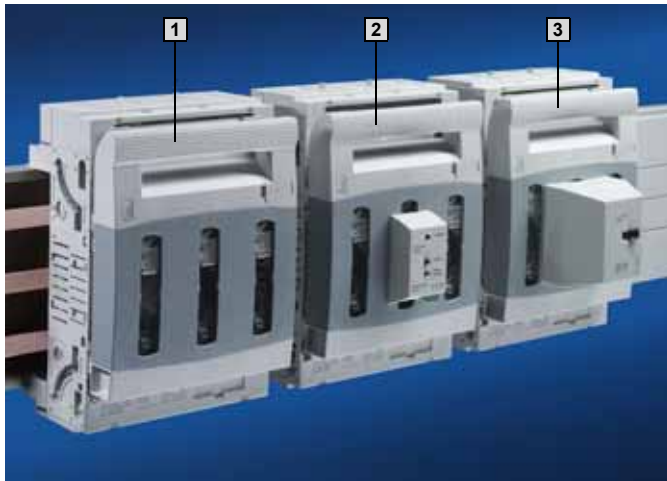
Size	Packs of	Size 1		Page
Rated current		250 A		
Rated operating voltage		690 V~/500 V~ ¹⁾		
Cable outlet		top/bottom		
Type of connection		Box terminal	Screw M10	
Connection of round conductors		35 – 150 mm ² ²⁾	up to 150 mm ²	
Clamping area for laminated copper bars		20 x 14 mm	32 x 10 mm	
Tightening torque				
● Assembly screw		6 Nm	6 Nm	
● Terminal screw		12 Nm	20 Nm	
For bar thickness		5/10 mm	5/10 mm	
1 Model No. SV	1	9343.100	9343.110	
2 with electronic fuse monitoring ¹⁾ Model No. SV	1	9343.120	9343.130	
3 with electromechanical fuse monitoring Model No. SV	1	9343.140	9343.150	
Accessories				
Micro-switch	2	9344.510	9344.510	406
Connection space cover	2	9344.530	9344.530	406
Box terminal	3	–	9344.610	407
Arcing chamber	3	9344.680	9344.680	407
Laminated copper bars		■	■	411

¹⁾ Rated operating voltage 400 V~ to 500 V~ for NH isolators with electronic fuse monitoring.

²⁾ Connection of sector-shaped conductors 50 – 150 mm².

Rittal RiLine60 busbar systems 800/1600 A (60 mm)

NH bus-mounting on-load isolators, size 2 (3-pole)



2.2

Rittal RiLine60 busbar systems 800/1600 A (60 mm)

Material:

Chassis, lid, contact hazard protection: Polyamide PA6
Contact tracks:
Electrolytic copper, silver-plated

Supply includes:

Top and bottom covers.

Technical information,
see page 1244 – 1246.

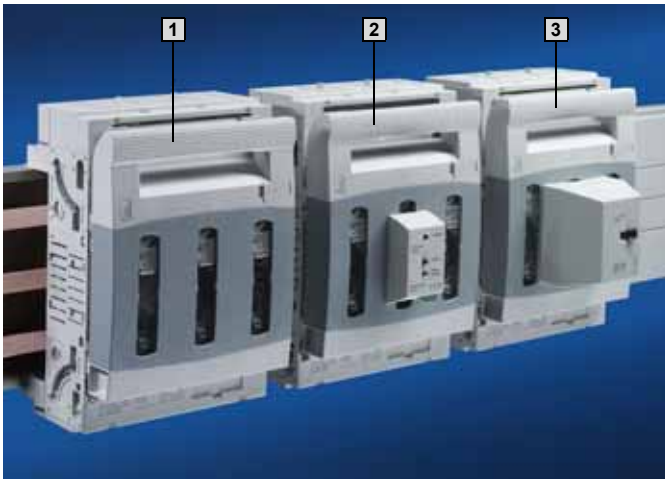
Size	Packs of	Size 2		Page
Rated current		400 A		
Rated operating voltage		690 V~/500 V~ ¹⁾		
Cable outlet		top/bottom		
Type of connection		Box terminal	Screw M10	
Connection of round conductors		95 – 300 mm ² ²⁾	up to 240 mm ²	
Clamping area for laminated copper bars		32 x 20 mm	50 x 10 mm	
Tightening torque		8 Nm	8 Nm	
• Assembly screw		20 Nm	20 Nm	
• Terminal screw				
For bar thickness		5/10 mm	5/10 mm	
1 Model No. SV	1	9343.200	9343.210	
2 with electronic fuse monitoring ¹⁾ Model No. SV	1	9343.220	9343.230	
3 with electromechanical fuse monitoring Model No. SV	1	9343.240	9343.250	
Accessories				
Micro-switch	2	9344.510	9344.510	406
Connection space cover	2	9344.540	9344.540	406
Box terminal	3	–	9344.620	407
Arcing chamber	3	9344.680	9344.680	407
Laminated copper bars		■	■	411

¹⁾ Rated operating voltage 400 V~ to 500 V~ for NH isolators with electronic fuse monitoring.

²⁾ Connection of sector-shaped conductors 120 – 300 mm².

Rittal RiLine60 busbar systems 800/1600 A (60 mm)

NH bus-mounting on-load isolators, size 3 (3-pole)



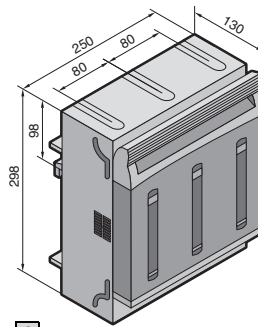
Material:

Chassis, lid, contact hazard protection: Polyamide PA6
Contact tracks: Electrolytic copper, silver-plated

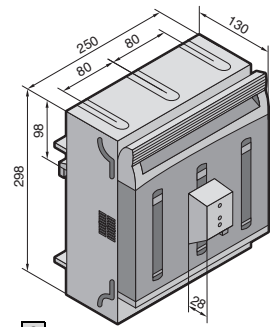
Supply includes:

Top and bottom covers.

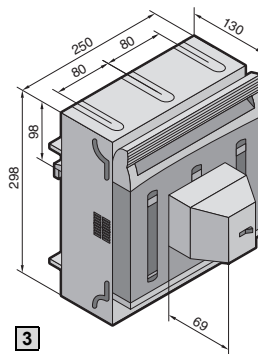
Technical information, see page 1244 – 1246.



1



2



3

B
2.2

Rittal RiLine60 busbar systems 800/1600 A (60 mm)

Size	Packs of	Size 3		Page
Rated current		630 A		
Rated operating voltage		690 V~/500 V~ ¹⁾		
Cable outlet		top/bottom		
Type of connection		Box terminal	Screw M10	
Connection of round conductors		95 – 300 mm ² 2)	up to 300 mm ²	
Clamping area for laminated copper bars		32 x 20 mm	50 x 10 mm	
Tightening torque				
● Assembly screw		8 Nm	8 Nm	
● Terminal screw		20 Nm	20 Nm	
For bar thickness		5/10 mm	5/10 mm	
1 Model No. SV	1	9343.300	9343.310	
2 with electronic fuse monitoring¹⁾ Model No. SV	1	9343.320	9343.330	
3 with electromechanical fuse monitoring Model No. SV	1	9343.340	9343.350	
Accessories				
Micro-switch	2	9344.510	9344.510	406
Connection space cover	2	9344.550	9344.550	406
Box terminal	3	–	9344.620	407
Arcing chamber	3	9344.680	9344.680	407
Laminated copper bars		■	■	411

¹⁾ Rated operating voltage 400 V~ to 500 V~ for NH isolators with electronic fuse monitoring.

²⁾ Connection of sector-shaped conductors 120 – 300 mm².