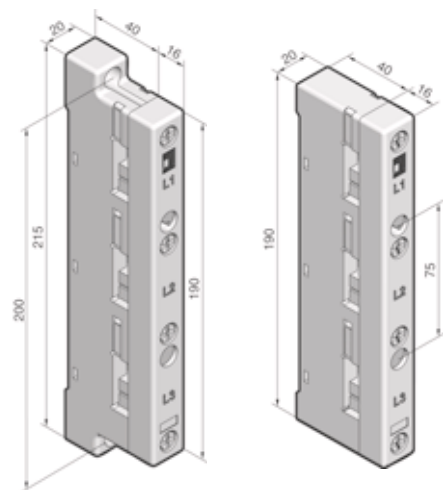


# Rittal RiLine60 busbar systems 800 A (60 mm)

## Busbar supports (3-pole)



1 With attachment holes on the outside

2 With attachment holes on the inside

**Material:**  
Polyamide (PA 6.6),  
25 % fibreglass-reinforced.  
Continuous operating  
temperature max. 130°C.  
Fire protection corresponding  
to UL 94-V0.

**Colour:**  
RAL 7035

**Short-circuit protection  
diagram,**  
see page 1229.

**Technical information**  
for the calculation of rated  
currents,  
see page 1247.

Design	Packs of	1 With external attachment	2 With internal attachment	Page
Number of poles		3-pole	3-pole	
Bar centre distance		60 mm	60 mm	
For busbars E-Cu		12 x 5/10 mm <sup>1)</sup> , 15 x 5 – 30 x 10 mm		
Tightening torque				
● Assembly screw (M5 x 16)		3 – 5 Nm	3 – 5 Nm	
● Lid attachment		1 – 3 Nm	1 – 3 Nm	
<b>Model No. SV</b>	4	<b>9340.010</b>	<b>9340.000</b>	
<b>Accessories</b>				
3 End covers for contact hazard protection on the sides	2	<b>9340.070</b>	<b>9340.070</b>	
Spacers for SV 9340.000/010	12	<b>9340.090</b>	<b>9340.090</b>	400

<sup>1)</sup> If 12 x 5/10 mm busbars are used, the spacer SV 9340.090 is additionally required.

## Busbars E-Cu

To DIN EN 13 601.  
Length: 2400 mm/bar.

Dimensions in mm	Packs of	Model No. SV	Page
12 x 5	6	<b>3580.000</b>	
12 x 10	6	<b>3580.100</b>	
15 x 5	6	<b>3581.000</b>	
15 x 10	6	<b>3581.100</b>	
20 x 5	6	<b>3582.000</b>	
20 x 10	6	<b>3585.000</b>	
25 x 5	6	<b>3583.000</b>	
30 x 5 <sup>1)</sup>	6	<b>3584.000<sup>2)</sup></b>	
30 x 10 <sup>1)</sup>	6	<b>3586.000<sup>2)</sup></b>	
<b>Accessories</b>			
Busbar cover section (length 1 m/each)	10	3092.000	408
Busbar connector for E-Cu			
4 12 x 5 – 15 x 10 mm (single connection)	3	9350.075	410
5 20 x 5 – 30 x 10 mm (single connection)	3	9320.020	410
6 20 x 5 – 30 x 10 mm (bayed connection) <sup>3)</sup>	3	9320.030	410

<sup>1)</sup> Other busbar lengths, see page 409.

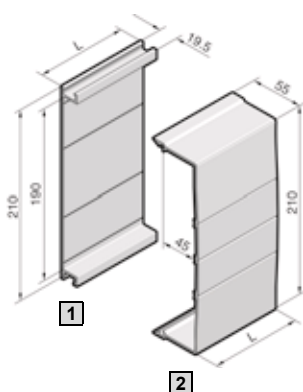
<sup>2)</sup> Tin-plated version available on request.

<sup>3)</sup> From enclosure to enclosure.

**Busbar connection adaptors** Page 356/357 **Connection clamps** Page 358 **OM/OT adaptors** Page 362 – 367 **OM/OT supports** Page 368/369  
**Component adaptors** Page 359 – 361, 370/371 **Bus-mounting fuse bases** Page 372/373 **NH fused isolators** Page 374  
**NH bus-mounting on-load isolators** Page 375 – 379 **Accessories** Page 400 – 411

# Rittal RiLine60 busbar systems 800 A (60 mm)

## System components (3-pole)



### 1 Base tray

For rear contact hazard protection of the flat bar assembly.

Length (L) mm	Packs of	Model No. SV
500	2	9340.100
700	2	9340.110
900	2	9340.120
1100	2	9340.130
2400	1	9340.170

### 2 Cover section

May be cut to length as required; for clip-on mounting to the base tray.

Length (L) mm	Packs of	Model No. SV
700	2	9340.200
1100	2	9340.210

#### Base tray and cover section

##### Material:

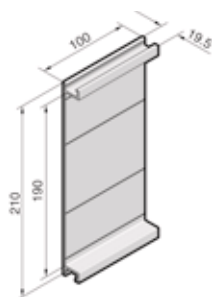
Thermally modified hard PVC.  
Continuous operating temperature max. 91°C.  
Fire protection corresponding to UL 94-V0.

##### Colour:

RAL 7035

##### Note:

If the cover section is mounted from the front, the support panel (SV 9340.220) is needed for stability.



### Base tray infill

For rear contact hazard protection when connecting the busbars from enclosure to enclosure.

##### Material:

Thermally modified hard PVC.  
Continuous operating temperature max. 91°C.  
Fire protection corresponding to UL 94-V0.

##### Colour:

RAL 7035

Packs of	Model No. SV
2	9340.140

#### Supply includes:

Assembly parts.



### Base tray reinforcement

For clipping into the base tray.  
Required when using OT adaptors or supports, see page 366/367 and 369.

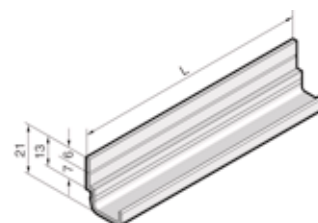
##### Material:

Aluminium

##### Note:

Self-tapping screws (Model No. SZ 2487.000) for attaching the base tray reinforcement to the mounting level, see page 1011.

Length (L) mm	Packs of	Model No. SV
500	2	9340.150
1000	2	9340.160



### Support panel for cover section

To prevent side access to the cover section. The support panel also provides additional stability.

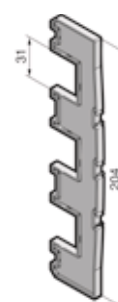
##### Material:

Polyamide (PA 6.6).  
Continuous operating temperature max. 105°C.  
Fire protection corresponding to UL 94-V0.

##### Colour:

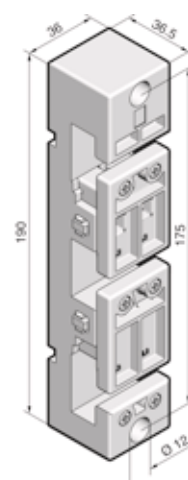
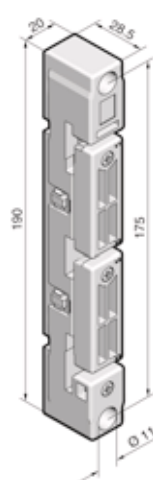
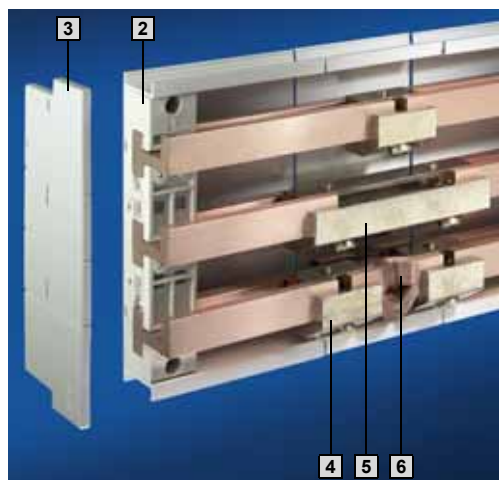
RAL 7035

Packs of	Model No. SV
5	9340.220



# Rittal RiLine60 busbar systems 800/1600 A (60 mm)

## PLS busbar supports (3-pole)



1 Rittal PLS 800

2 Rittal PLS 1600

**Material:**  
Polyamide (PA 6.6),  
25 % fibreglass-reinforced.  
Continuous operating  
temperature max. 130°C.  
Fire protection corresponding  
to UL 94-V0.

**Colour:**  
RAL 7035

**Short-circuit protection  
diagram,**  
see page 1229.

**Technical information**  
for the calculation of rated  
currents,  
see page 1247.

For Rittal system	Packs of	1 PLS 800	2 PLS 1600
Number of poles		3-pole	3-pole
Bar centre distance		60 mm	60 mm
Tightening torque			
• Assembly screw (M6 x 20)		3 – 5 Nm	3 – 5 Nm
• Busbar anti-slip guard		0.7 Nm	0.7 Nm
<b>Model No. SV</b>	4	<b>9341.000</b>	<b>9342.000</b>
<b>Accessories</b>			
3 End covers for side contact hazard protection	2	<b>9341.070</b>	<b>9342.070</b>

## PLS special busbars

made from E-Cu

For Rittal system	Packs of	PLS 800	PLS 1600	Page
Cross-section		300 mm <sup>2</sup>	900 mm <sup>2</sup>	
Bar thickness		5 mm	10 mm	
Length mm	For enclosure width mm	<b>Model No. SV</b>	<b>Model No. SV</b>	
495	600 <sup>1)</sup>	3 <b>3524.000<sup>2)</sup></b>	<b>3527.000<sup>2)</sup></b>	
695	800 <sup>1)</sup>	3 <b>3525.000<sup>2)</sup></b>	<b>3528.000<sup>2)</sup></b>	
895	1000 <sup>1)</sup>	3 <b>3525.010<sup>2)</sup></b>	<b>3528.010<sup>2)</sup></b>	
1095	1200 <sup>1)</sup>	3 <b>3526.000<sup>2)</sup></b>	<b>3529.000<sup>2)</sup></b>	
2400	variable	1 <b>3509.000<sup>2)</sup></b>	<b>3516.000<sup>2)</sup></b>	
<b>Accessories</b>				
4 PLS busbar connector (single connection)	3	3504.000	3514.000	410
5 PLS busbar connector (bayed connection) <sup>3)</sup>	3	3505.000	3515.000	410
6 PLS expansion connectors <sup>4)</sup>	3	9320.060	9320.070	410

<sup>1)</sup> For Rittal TS 8/ES enclosure systems.

<sup>2)</sup> To order tin-plated version, please add extension .2X0 to the Model No. Delivery times available on request.

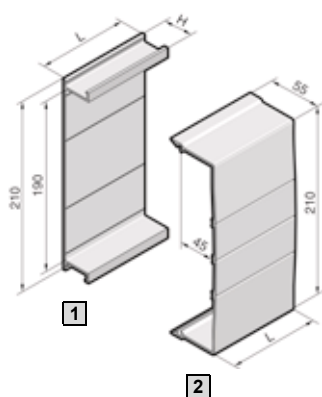
<sup>3)</sup> From enclosure to enclosure.

<sup>4)</sup> Two PLS rail connectors (single connection) are required to fit one expansion connector.

**Busbar connection adaptors** Page 356/357 **Connection clamps** Page 358 **OM/OT adaptors** Page 362 – 367 **OM/OT supports** Page 368/369  
**Component adaptors** Page 359 – 361, 370/371 **Bus-mounting fuse bases** Page 372/373 **NH fused isolators** Page 374  
**NH bus-mounting on-load isolators** Page 375 – 379 **Accessories** Page 400 – 411

# Rittal RiLine60 busbar systems 800/1600 A (60 mm)

## System components (3-pole)



### 1 Base tray

For rear contact hazard protection of the PLS busbar assembly.

Length (L) mm	Packs of	Model No. SV For system	
		PLS 800	PLS 1600
500	2	<b>9341.100</b>	<b>9342.100</b>
700	2	<b>9341.110</b>	<b>9342.110</b>
900	2	<b>9341.120</b>	<b>9342.120</b>
1100	2	<b>9341.130</b>	<b>9342.130</b>
2400	1	<b>9341.170</b>	<b>9342.170</b>
Height (H) mm		32	43

### 2 Cover section

May be cut to length individually, for clip-on mounting to the base tray for PLS system 800 A and 1600 A.

Length (L) mm	Packs of	Model No. SV
700	2	<b>9340.200</b>
1100	2	<b>9340.210</b>

#### Base tray and cover section

##### Material:

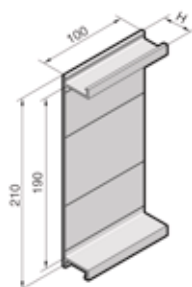
Thermally modified hard PVC.  
Continuous operating temperature max. 91°C.  
Fire protection corresponding to UL 94-V0.

##### Colour:

RAL 7035

##### Note:

If the cover section is mounted from the front, the support panel (SV 9340.220) is needed for stability.



### Base tray infill

For rear contact hazard protection when connecting the busbars from enclosure to enclosure.

##### Material:

Thermally modified hard PVC.  
Continuous operating temperature max. 91°C.  
Fire protection corresponding to UL 94-V0.

##### Colour:

RAL 7035

For system	Height (H) mm	Packs of	Model No. SV
PLS 800	32	2	<b>9341.140</b>
PLS 1600	43	2	<b>9342.140</b>

##### Supply includes:

Assembly parts.



### Base tray reinforcement

For clipping into the base tray.  
Required when using OT adaptors or supports, see page 366/367 and 369.

##### Material:

Aluminium

##### Note:

Self-tapping screws (Model No. SZ 2487.000) for attaching the base tray reinforcement to the mounting level, see page 1011.

Length (L) mm	Packs of	Model No. SV For system	
		PLS 800	PLS 1600
500	2	<b>9341.150</b>	<b>9342.150</b>
1000	2	<b>9341.160</b>	<b>9342.160</b>



### Support panel

#### for cover section

To prevent side access to the cover section. The support panel also provides additional stability.

##### Material:

Polyamide (PA 6.6).  
Continuous operating temperature max. 105°C.  
Fire protection corresponding to UL 94-V0.

##### Colour:

RAL 7035

Packs of	Model No. SV
5	<b>9340.220</b>

