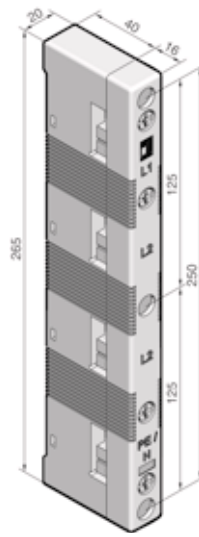
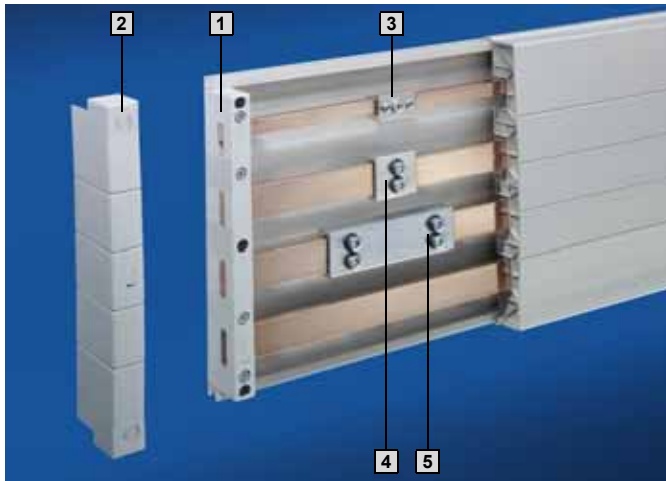


Rittal RiLine60 busbar systems 800 A (60 mm)

Busbar supports (4-pole)



1 With attachment holes on the inside

Material:
Polyamide (PA 6.6),
25 % fibreglass-reinforced.
Continuous operating
temperature max. 130°C.
Fire protection corresponding
to UL 94-V0.

Colour:
RAL 7035

**Short-circuit protection
diagram,**
see page 1231.

Technical information
for the calculation of rated
currents,
see page 1247.

Design	Packs of	1	Page
Number of poles		4-pole	
Bar centre distance		60 mm	
For busbars E-Cu		12 x 5/10 mm ¹⁾ , 15 x 5 – 30 x 10 mm	
Tightening torque		3 – 5 Nm	
• Assembly screw (M5 x 25)		1 – 3 Nm	
• Cover attachment			
Model No. SV	4	9340.004	

Accessories

2 End covers for contact hazard protection on the sides	2	9340.074	
Spacers for SV 9340.004	12	9340.090	400

¹⁾ If 12 x 5/10 mm busbars are used, the spacer SV 9340.090 is additionally required.

Busbars E-Cu

To DIN EN 13 601.
Length: 2400 mm/bar.

Dimensions mm	Packs of	Model No. SV	Page
12 x 5	6	3580.000	
12 x 10	6	3580.100	
15 x 5	6	3581.000	
15 x 10	6	3581.100	
20 x 5	6	3582.000	
20 x 10	6	3585.000	
25 x 5	6	3583.000	
30 x 5 ¹⁾	6	3584.000²⁾	
30 x 10 ¹⁾	6	3586.000²⁾	

Accessories

Busbar cover section (length 1 m/each)	10	3092.000	408
Busbar connector for E-Cu			
3 12 x 5 – 15 x 10 mm (single connection)	3	9350.075	410
4 20 x 5 – 30 x 10 mm (single connection)	3	9320.020	410
5 20 x 5 – 30 x 10 mm (bayed connection) ³⁾	3	9320.030	410

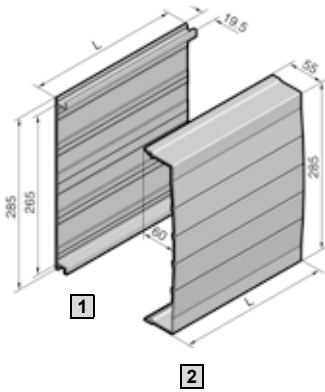
¹⁾ Other busbar lengths, see page 409.

²⁾ Tin-plated version available on request.

³⁾ From enclosure to enclosure.

Rittal RiLine60 busbar systems 800 A (60 mm)

System components (4-pole)



1 Base tray

For rear contact hazard protection of the flat bar assembly.

Length (L) mm	Packs of	Model No. SV
1100	2	9340.134

2 Cover section

May be cut to length as required; for clip-on mounting to the base tray.

Length (L) mm	Packs of	Model No. SV
1100	2	9340.214

Base tray and cover section

Material:

Thermally modified hard PVC.
Continuous operating temperature max. 91°C.
Fire protection corresponding to UL 94-V0.

Colour:

RAL 7035

Note:

If the cover section is mounted from the front, the support panel (SV 9340.224) is needed for stability.



Support panel

for cover section

To prevent side access to the cover section. The support panel also provides additional stability.

Material:

Polyamide (PA 6.6).
Continuous operating temperature max. 105°C.
Fire protection corresponding to UL 94-V0.

Colour:

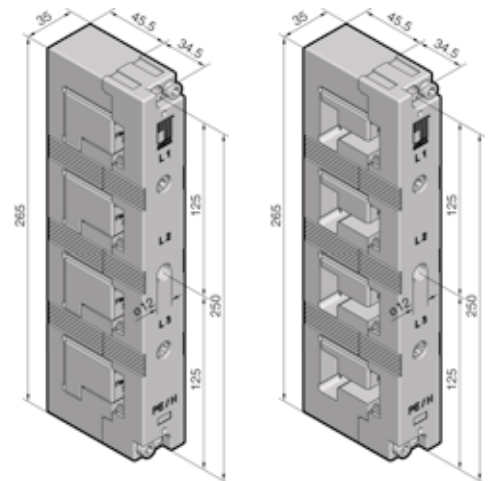
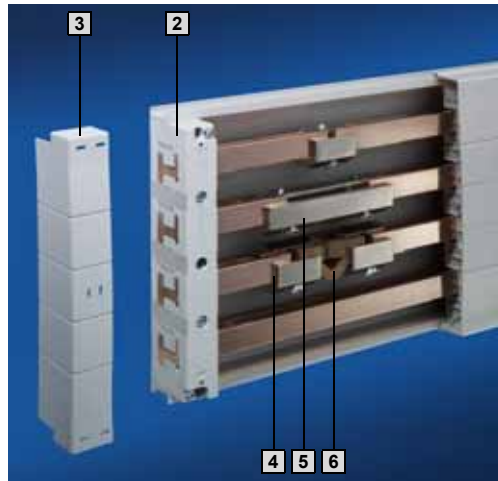
RAL 7035

Packs of	Model No. SV
5	9340.224



Rittal RiLine60 busbar systems 800/1600 A (60 mm)

Busbar supports PLUS (4-pole)



1 Rittal 30 x 10 PLUS 2 Rittal PLS 1600 PLUS

Material:
Polyamide (PA 6.6),
25 % fibreglass-reinforced.
Continuous operating
temperature max. 130°C.
Fire protection corresponding
to UL 94-V0.

Colour:
RAL 7035

**Short-circuit protection
diagram,**
see page 1231.

Technical information
for the calculation of rated
currents,
see page 1249.

For system	Packs of	1 Rittal 30 x 10 PLUS	2 Rittal PLS 1600 PLUS
Number of poles		4-pole	4-pole
Bar centre distance		60 mm	60 mm
For busbars E-Cu 30 x 10 mm		■	–
For PLS special busbars (PLS 1600)		–	■
Tightening torque			
● Assembly screw (M6 x 20)		3 – 5 Nm	3 – 5 Nm
● Cover attachment		5 – 7 Nm	5 – 7 Nm
Model No. SV	4	9342.014	9342.004
Accessories			
3 End covers for contact hazard protection on the sides	2	9342.074	9342.074

Busbars made from E-Cu

Detailed drawing:
SV 9661.300 to .380, see page 409.

For system	Rittal 30 x 10 PLUS			Rittal PLS 1600 PLUS			Page
Size	30 x 10 mm			–			
Cross-section (bar thickness)	–			900 mm ² (10 mm) ¹⁾			
For enclosure width mm	Length mm	Packs of	Model No. SV	Length mm	Packs of	Model No. SV	
300 ²⁾	265	2	9661.330	–	–	–	
400 ²⁾	365	2	9661.340	–	–	–	
600 ²⁾	565	2	9661.360	495	3	3527.000	
800 ²⁾	765	2	9661.380	695	3	3528.000	
1000 ²⁾	965	2	9661.300	895	3	3528.010	
1200 ²⁾	1165	2	9661.320	1095	3	3529.000	
Variable	2400	6	3586.000	2400	1	3516.000	

Accessories							
4 PLS busbar connector (single connection)	–	–	–	–	3	3514.000	410
5 PLS busbar connector (bayed connection) ³⁾	–	–	–	–	3	3515.000	410
6 PLS expansion connectors ⁴⁾	–	–	–	–	3	9320.070	410
Baying bracket for SV 9661.300 to .380 (bayed connection)	95	4	9661.350				409
Busbar connector for SV 3586.000	Single connection	–	3	9320.020	–	–	410
	Baying connection ³⁾	–	3	9320.030	–	–	410
Busbar cover section	1000	10	3092.000	–	–	–	408

¹⁾ PLS special busbars (1600 A). To order tin-plated version, please add extension .2X0 to the Model No. Delivery times available on request.

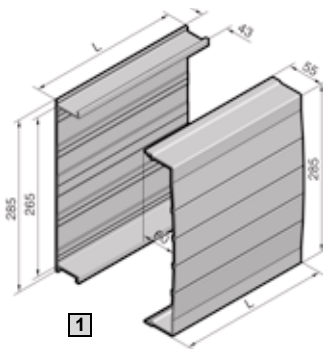
²⁾ For Rittal TS 8/ES enclosure systems.

³⁾ From enclosure to enclosure.

⁴⁾ Two PLS rail connectors (single connection) are required to fit one expansion connector.

Rittal RiLine60 busbar systems 800/1600 A (60 mm)

System components (4-pole)



1 Base tray

For rear contact hazard protection of the busbar assembly PLUS.

Length (L) mm	Packs of	Model No. SV
1100	2	9342.134

2 Cover section

May be cut to length as required; for clip-on mounting to the base tray.

Length (L) mm	Packs of	Model No. SV
1100	2	9340.214

Base tray and cover section

Material:

Thermally modified hard PVC.
Continuous operating temperature max. 91°C.
Fire protection corresponding to UL 94-V0.

Colour:

RAL 7035

Note:

If the cover section is mounted from the front, the support panel (SV 9340.224) is needed for stability.



3 Support panel

for cover section

To prevent side access to the cover section. The support panel also provides additional stability.

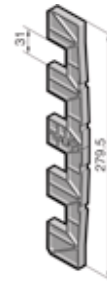
Material:

Polyamide (PA 6.6).
Continuous operating temperature max. 105°C.
Fire protection corresponding to UL 94-V0.

Colour:

RAL 7035

Packs of	Model No. SV
5	9340.224

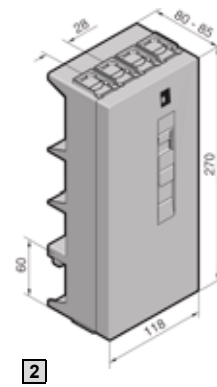
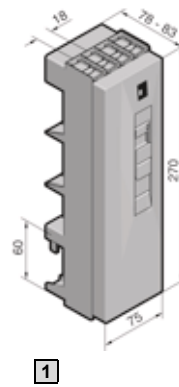


B
2.2

Rittal RiLine60 busbar systems 800/1600 A (60 mm)

Rittal RiLine60 busbar systems 800/1600 A (60 mm)

Busbar connection adaptors (4-pole)



2.2

Rittal RiLine60 busbar systems 800/1600 A (60 mm)

Material:

Punched section
Polyamide (PA 6.6),
25 % fibreglass-reinforced.
Continuous operating
temperature max. 130°C.
Fire protection corresponding
to UL 94-V0.

Cover

ABS,
fire protection corresponding
to UL 94-V0.

Colour:

RAL 7035

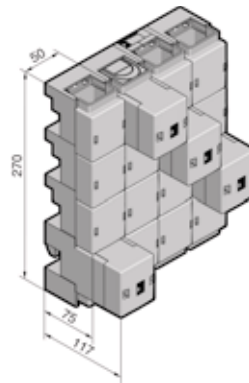
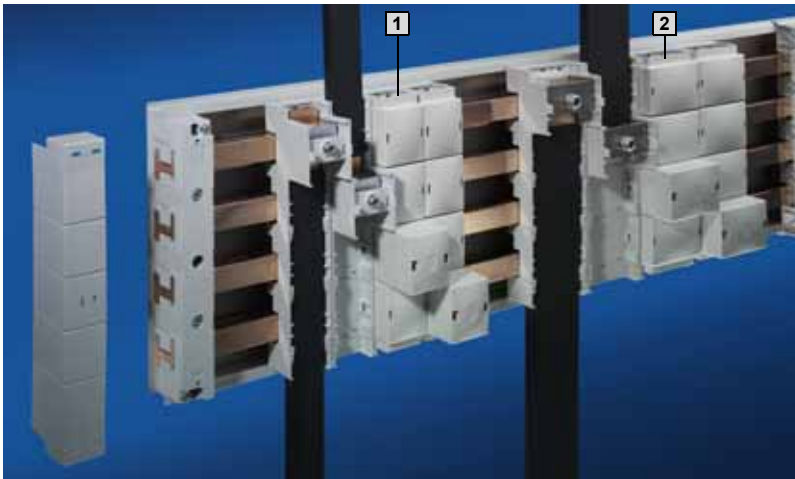
Supply includes:

Cover.

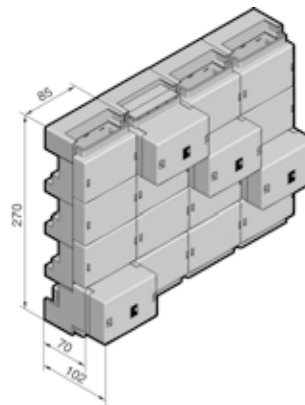
Design (4-pole)	Packs of	1	2	Page
Rated current up to		125 A	250 A	
Rated operating voltage		690 V~	690 V~	
Connection of round conductors				
● Fine wire with wire end ferrule		10 – 25 mm ²	35 – 120 mm ²	
● Multi-wire		16 – 35 mm ²	35 – 120 mm ²	
Clamping area for laminated copper bars		10 x 7.8 mm	18.5 x 15.5 mm	
Tightening torque				
● Assembly screw		2 Nm	4 – 6 Nm	
● Terminal screw		2 – 3 Nm	8 – 10 Nm	
For bar thickness		5/10 mm	5/10 mm	
Outlet top/bottom				
Model No. SV	1	9342.224	9342.254	
Outlet at top				
Model No. SV	1	9342.234	9342.264	
Outlet at bottom				
Model No. SV	1	9342.244	9342.274	
Accessories				
Laminated copper bars		■	■	411

Rittal RiLine60 busbar systems 800/1600 A (60 mm)

Busbar connection adaptors (4-pole)



1 SV 9342.310 with SV 9342.314



2 SV 9342.320 with SV 9342.324

Material:

Punched section

Polyamide (PA 6.6),
25 % fibreglass-reinforced.
Continuous operating
temperature max. 130°C.
Fire protection corresponding
to UL 94-V0.

Cover

ABS,
fire protection corresponding
to UL 94-V0.

Colour:

RAL 7035

Supply includes:

Cover.

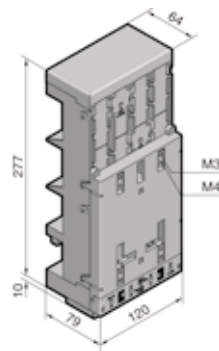
Design	Packs of	1	2	Page
Rated current up to		800 A	1600 A	
Rated operating voltage		690 V~	690 V~	
Outlet		top/bottom	top/bottom	
Connection of round conductors				
● Fine wire with wire end ferrule		95 – 185 mm ²	–	
● Multi-wire		95 – 300 mm ²	–	
Clamping area for laminated copper bars				
● For 5 mm bar thickness		33 x 27 mm	65 x 27 mm	
● For 10 mm bar thickness		33 x 22 mm	65 x 22 mm	
Tightening torque		12 – 14 Nm	15 – 20 Nm	
For bar thickness		5/10 mm	5/10 mm	
Busbar connection adaptors (3 x 1-pole)	1 set (3)	9342.310	9342.320	
Also required				
Connection adaptor (expansion set for 4-pole configuration)	1	9342.314	9342.324	
Accessories				
Laminated copper bars		■	■	411

B
2.2

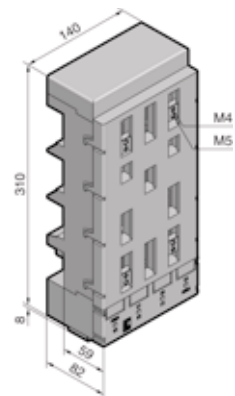
Rittal RiLine60 busbar systems 800/1600 A (60 mm)

Rittal RiLine60 busbar systems 800/1600 A (60 mm)

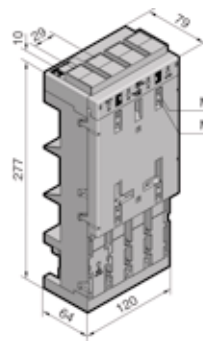
Circuit-breaker component adaptors 160 A/250 A (4-pole)



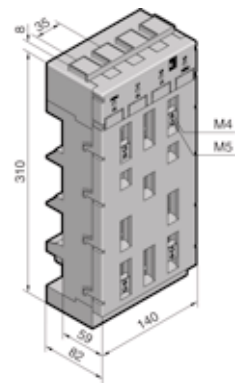
1 SV 9342.504



2 SV 9342.604



1 SV 9342.514



2 SV 9342.614

Material:
Polyamide (PA 6.6),
25 % fibreglass-reinforced.
Continuous operating
temperature max. 130°C.
Fire protection corresponding
to UL 94-V0.

Colour:
RAL 7035

Supply includes:
Terminal cover and sliding
blocks for switchgear attach-
ment.

Note:
Circuit-breaker component
adaptors in 630 A version
available on request.

Design	Packs of	1	2
Construction width		120 mm	140 mm
Length		277 mm	310 mm
Rated current up to		160 A	250 A
Rated operating voltage		690 V~	690 V~
Connection clamp		Box terminal	Box terminal
Connection of round conductors		35 – 120 mm ²	35 – 120 mm ²
Clamping area for laminated copper bars		18.5 x 15.5 mm	18.5 x 15.5 mm
Tightening torque		8 – 10 Nm	8 – 10 Nm
• Terminal screw		4 – 6 Nm	4 – 6 Nm
• Rail attachment			
For switchgear make/model	ABB	T1 (160 A), T2 (160 A)	T3S (250 A), T4V (315 A)
	Merlin Gerin	NSC100	NS100, NS160, NS250L
	Moeller Electric	NZM1-4 (125 A)	NZM2-4 (250 A)
	Siemens	–	VL160X, VL160, VL250
For bar thickness		5/10 mm	5/10 mm
Cable outlet at the top ¹⁾	1	9342.504	9342.604
Model No. SV			
Cable outlet at the bottom ¹⁾	1	9342.514	9342.614
Model No. SV			

¹⁾ Switch outlet or outgoing cable.