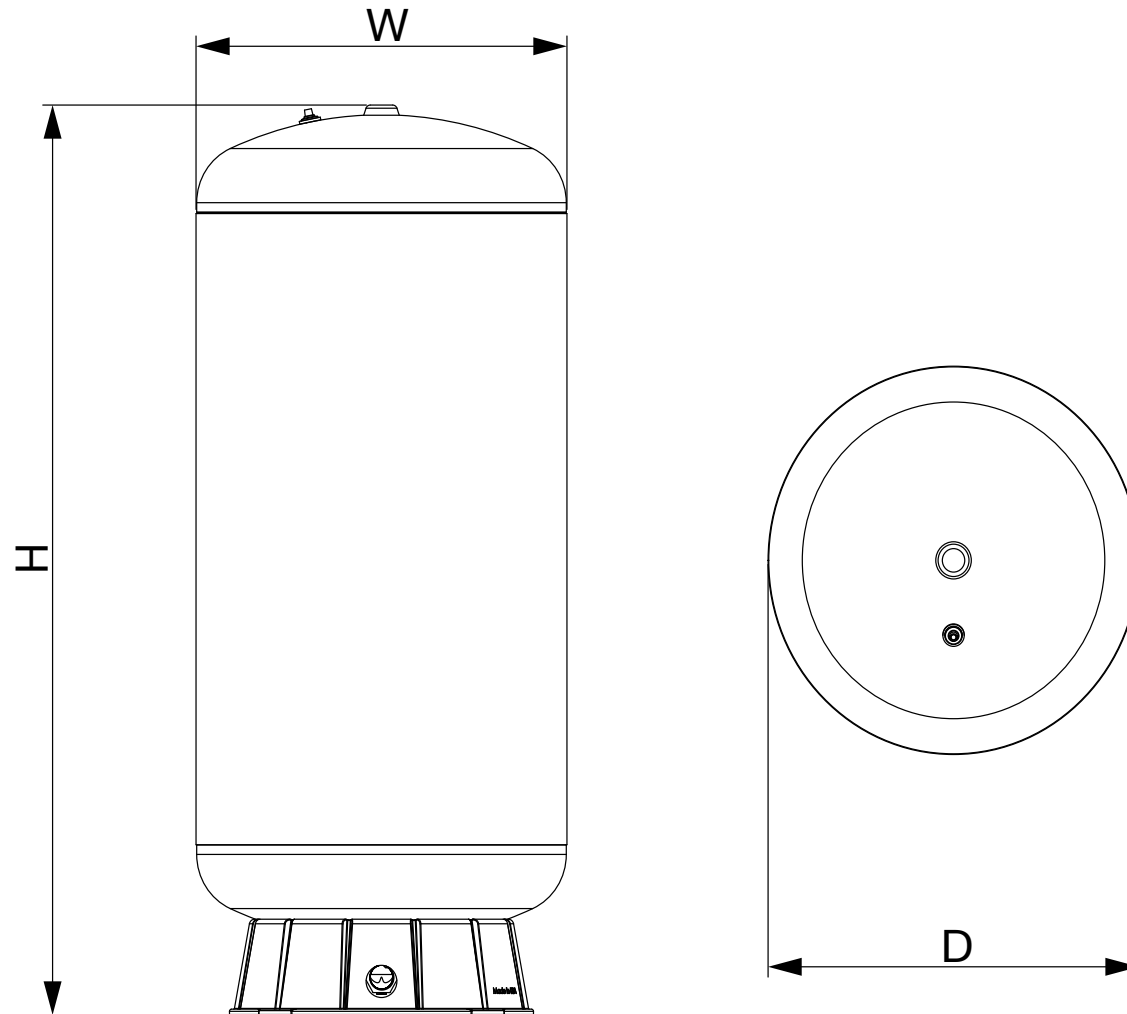


MAINSBOOST Mainsboost Vertical



Model Description	Dim. 'H'	Dim. 'W'	Dim. 'D'
MB 100SV	890 mm	410 mm	410 mm
MB 130SV	1100 mm	410 mm	410 mm
MB 200SV	1030 mm	535 mm	535 mm
MB 250SV	1210 mm	535 mm	535 mm
MB 300SV	1505 mm	535 mm	535 mm
MB 450SV	1545 mm	660 mm	660 mm
MB 750SV	1950 mm	750 mm	750 mm
MB 1000SV	2180 mm	800 mm	800 mm
MB 1500SV	2380 mm	960 mm	960 mm
MB 2000SV	2520 mm	1100 mm	1100 mm

Dimensions in millimetres

Stuart Turner Ltd own the copyright within this document. The document may be printed for personal use only. The document must not be altered, reproduced or utilised in any way without written permission from Stuart Turner Ltd, Henley-on-Thames, Oxfordshire, RG9 2AD, England.
Stuart Turner Limited reserves the right to amend specifications without notice.

Stuart Turner Ltd, Henley-on-Thames, Oxfordshire RG9 2AD Tel: +44 (0) 1491 572655 Fax: +44 (0) 1491 573704

TechAssist Helpline +44 (0) 800 969 80

www.stuart-turner.co.uk

Issue: 2019/1