

# METAL FITTINGS

STAINLESS STEEL FITTINGS • BRASS FITTINGS • DOOR FURNITURE



THE ORIGINAL  
**ANDY THORNTON**  
SINCE 1975

# METAL FITTINGS

- Quality tubular handrail and footrail components in a choice of stainless steel, brass and many finishes.
- Modular balustrade and staircase systems for use in commercial and residential applications.
- Choice of 304 grade stainless steel for internal applications or 316 grade for outdoor use.
- Flexible systems designed to be used in conjunction with other materials including toughened glass infill panels and specialist joinery.
- Extensive stock of components enables an overnight Fast Track delivery service.
- Buy online from [andythornton.com](http://andythornton.com) easily and securely, with competitive delivery rates.
- Contact our sales team for technical support 01422 376000

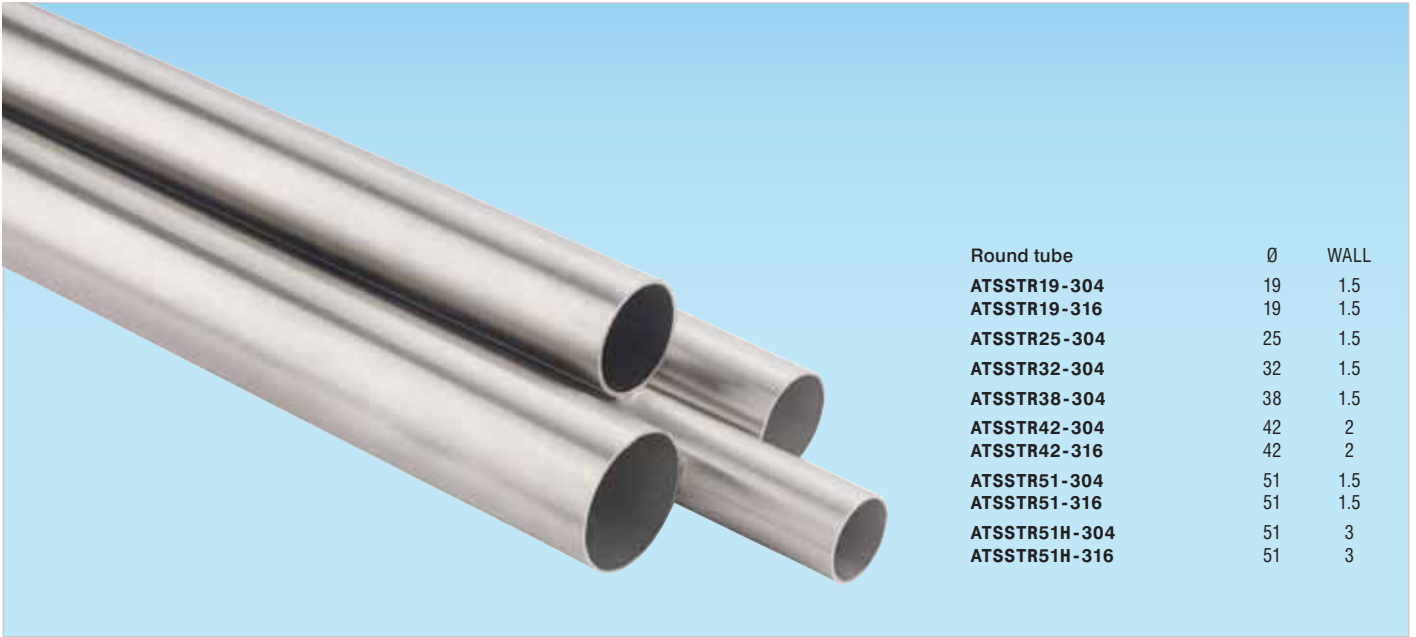


# CONTENTS

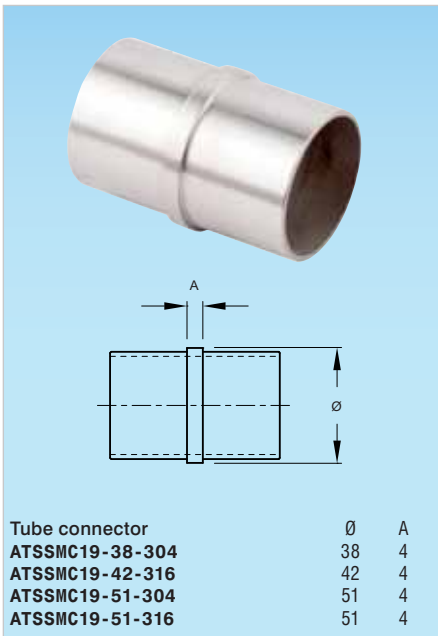
Stainless Steel Tube & Bar .....	4	Pillars.....	18
Handrail Fittings.....	5	Flanges .....	19
Handrail & Footrail Brackets .....	6	Floor Flange Fixing Options.....	19
Handrail Saddles .....	6	Caps & Finials.....	20
Railing Posts .....	8	Glass Clamps .....	20
Pre-Drilled Posts.....	9	Signs .....	21
Glass Clamps .....	10	Handles & Push Plates.....	22
Pillars & Sockets.....	11	Kick Plates .....	24
Easifit Fittings .....	12	Push Bars.....	25
Brass Tube & Bar.....	13	Push Bar Brackets .....	25
Electroplated Finishes.....	13	Posts & Rope.....	26
Perforated Sheet.....	13	Glass Racks.....	27
Hardwood Handrail .....	13	Stemware Rods .....	27
Handrail Brackets .....	14	Tray Slides.....	27
Footrail Brackets.....	15	Pot Rack Systems.....	27
Ball Fittings .....	16	Waitress Stations .....	27
Flush Fittings .....	17	Bespoke Fabrication .....	28



# STAINLESS STEEL TUBE & BAR



Round tube	Ø	WALL
ATSSSTR19-304	19	1.5
ATSSSTR19-316	19	1.5
ATSSSTR25-304	25	1.5
ATSSSTR32-304	32	1.5
ATSSSTR38-304	38	1.5
ATSSSTR42-304	42	2
ATSSSTR42-316	42	2
ATSSSTR51-304	51	1.5
ATSSSTR51-316	51	1.5
ATSSSTR51H-304	51	3
ATSSSTR51H-316	51	3

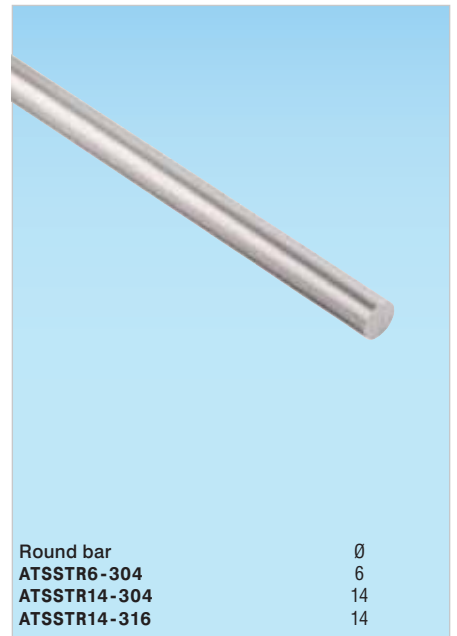


Tube connector	Ø	A
ATSSMC19-38-304	38	4
ATSSMC19-42-316	42	4
ATSSMC19-51-304	51	4
ATSSMC19-51-316	51	4



Channel tube	Ø	WALL
ATSSCR10-51-316	51	1.5

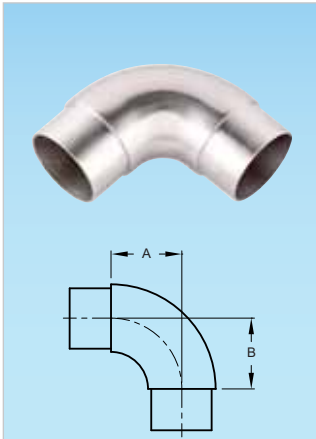
Glazing recess 20 x 20



Round bar	Ø
ATSSSTR6-304	6
ATSSSTR14-304	14
ATSSSTR14-316	14



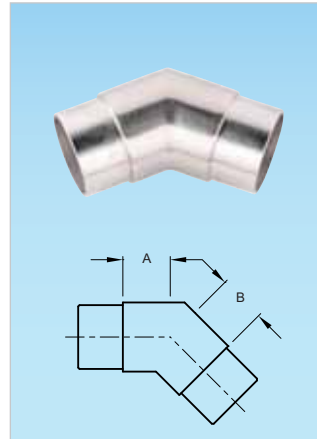
# HANDRAIL FITTINGS



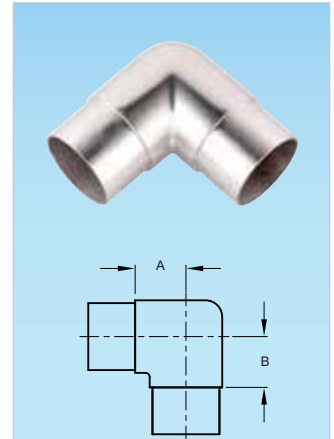
Flush bend	Ø	A	B
ATSSFF2-38-304	38	63	63
ATSSFF2-42-316	42	44	44
ATSSFF2-51-304	51	68	68
ATSSFF2-51-316	51	68	68



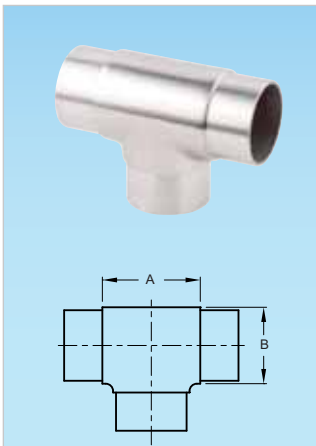
Flush wall return	Ø	A	B
ATSSFF4-38-304	38	72	72
ATSSFF4-51-304	51	86	86
ATSSFF4-51-316	51	86	86



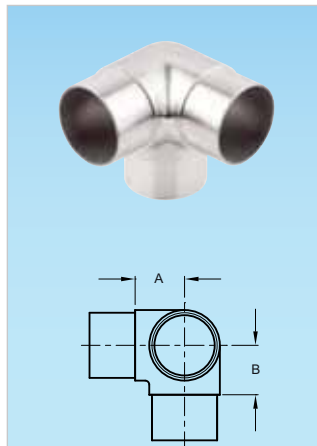
Flush 135° bend	Ø	A	B
ATSSFF6-38-304	38	43	43
ATSSFF6-42-316	42	30	30
ATSSFF6-51-304	51	40	40
ATSSFF6-51-316	51	40	40



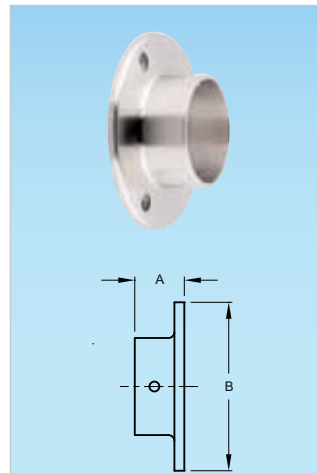
Flush elbow	Ø	A	B
ATSSFF8-38-304	38	58	58
ATSSFF8-42-316	42	30	30
ATSSFF8-51-304	51	65	65
ATSSFF8-51-316	51	65	65



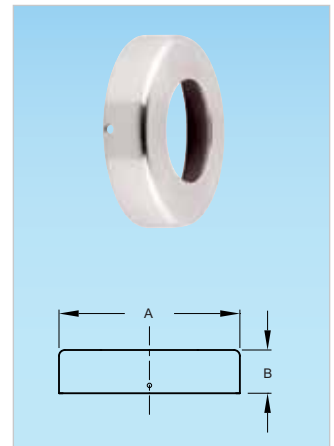
Flush tee	Ø	A	B
ATSSFF10-38-304	38	60	50
ATSSFF10-51-304	51	66	57
ATSSFF10-51-316	51	66	57



Flush side outlet elbow	Ø	A	B
ATSSFF12-38-304	38	50	50
ATSSFF12-51-304	51	60	60
ATSSFF12-51-316	51	60	60

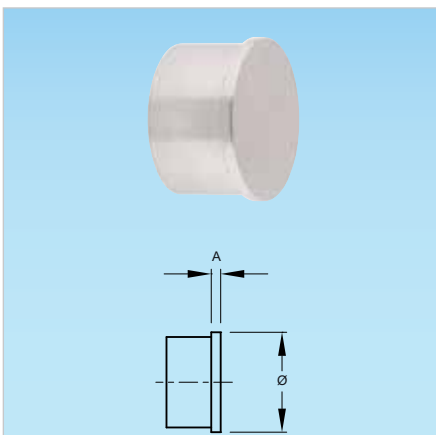


Wall flange	Ø	A	B
ATSSFL4-38-304	38	30	75
ATSSFL4-42-316	42	25	85
ATSSFL4-51-304	51	30	100
ATSSFL4-51-316	51	30	100

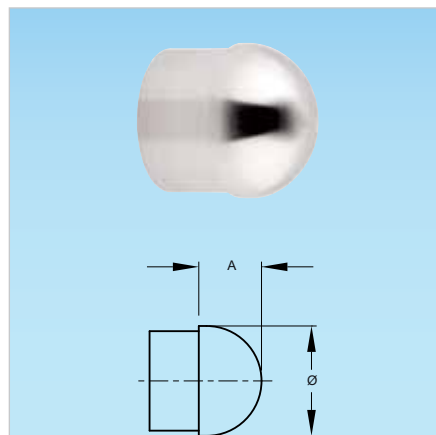


Wall flange cover	Ø	A	B
ATSSFL32-42-316	42	92	22

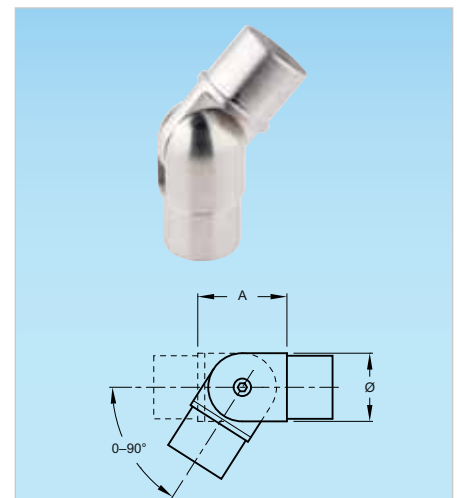
Fits Ø42 wall flange only



Plain end cap	Ø	A
ATSSCF2-19-316	19	4
ATSSCF2-25-304	25	4
ATSSCF2-38-304	38	4
ATSSCF2-42-316	42	4
ATSSCF2-51-304	51	4
ATSSCF2-51-316	51	4



Half ball end cap	Ø	A
ATSSCF6-38-304	38	20
ATSSCF6-42-316	42	24
ATSSCF6-51-304	51	26
ATSSCF6-51-316	51	26



Swivel connector	Ø	A
ATSSMC17-42-316	42	54

# HANDRAIL & FOOTRAIL BRACKETS



Handrail bracket	Ø	A	B	C
ATSSBR2-38-304	38	65	52	60
ATSSBR2-51-304	51	65	77	60

Handrail bracket	Ø	A	B	C
ATSSBR7-38-304	38	75	52	60
ATSSBR7-51-304	51	80	58	60

Handrail bracket	Ø	A	B	C
ATSSBR8-51-304	51	100	76	87

Handrail bracket	Ø	A	B
ATSSBR50-304	32	68	58x42

Handrail bracket	Ø	A	B	C
ATSSBR52-304	32	89	71	69x40

Floor bracket	Ø	A	B
ATSSBR29-38-304	38	130	153
ATSSBR29-51-304	51	140	174

# HANDRAIL SADDLES

Flush saddle	Ø	A
ATSSMC10-38-304	38	30
ATSSMC10-51-304	51	38

Adjustable saddle	Ø	A	B
ATSSMC13-38-304	38	76	50
ATSSMC13-51-304	51	100	70


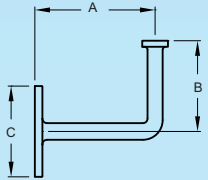
Variable angle  
Connects handrail to post ATSSP03-304 and to post ATSSP04-304 with adaptor ATSSMC52-316

Welding adaptor	A	B
ATSSMC14-316	14	60

Fits post ATSSP04-316 for welding direct to handrail


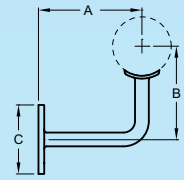
Extended saddle	A
ATSSMC15-304	79

Connects Ø51 handrail to post ATSSP03-304 and to post ATSSP04-304 with adaptor ATSSMC52-316


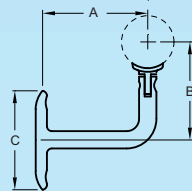
Handrail bracket  
ATSSBR10-304

	A	B	C
	80	60	60

Handrail bracket  
ATSSBR66-42-316  
ATSSBR66-51-316


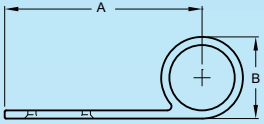
Ø	A	B	C
42	90	75	60
51	90	75	60

Post saddle  
ATSSBR68-42-316


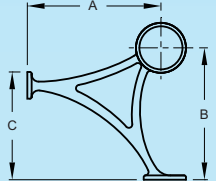
Ø	A	B	C
42	85	79	80

Connects handrail to post  
ATSSP04-316. Variable angle


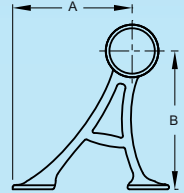
Handrail bracket  
ATSSBR26-38-304  
ATSSBR26-51-304

Ø	A	B
38	150	46
51	145	60


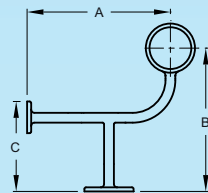
Footrail bracket  
ATSSBR28-38-304  
ATSSBR28-51-304

Ø	A	B	C
38	156	153	125
51	156	153	125


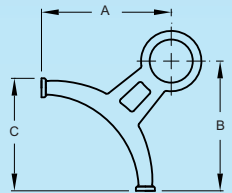
Footrail bracket  
ATSSBR34-38-304  
ATSSBR34-51-304

Ø	A	B
38	132	152
51	132	152


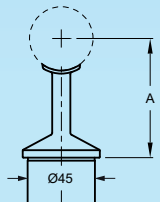
Footrail bracket  
ATSSBR60-38-304  
ATSSBR60-51-304

Ø	A	B	C
38	175	175	110
51	175	175	110

Footrail bracket  
ATSSBR62-38-304  
ATSSBR62-51-304


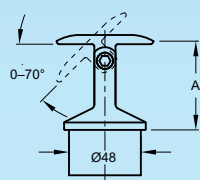
Ø	A	B	C
38	150	150	130
51	150	150	130

Straight saddle  
ATSSMC15-42-316

Ø	A
42	79


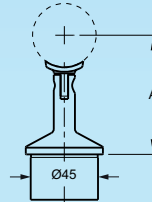
Connects handrail to post ATSSP04-316

Adjustable saddle  
ATSSMC16-304

Ø	A
51	75


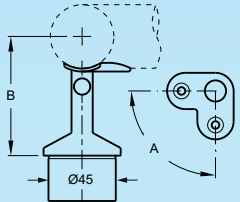
Variable angle  
Connects handrail to post ATSSP03-304 and to post ATSSP04-304 with adaptor ATSSMC52-316

Swivel saddle  
ATSSMC16-42-316

Ø	A
42	79

Connects handrail to post ATSSP04-316

Corner saddle  
ATSSMC70-42-316  
ATSSMC72-42-316

Ø	A	B
42	90°	79
42	135°	79

Connects elbow to post ATSSP04-316

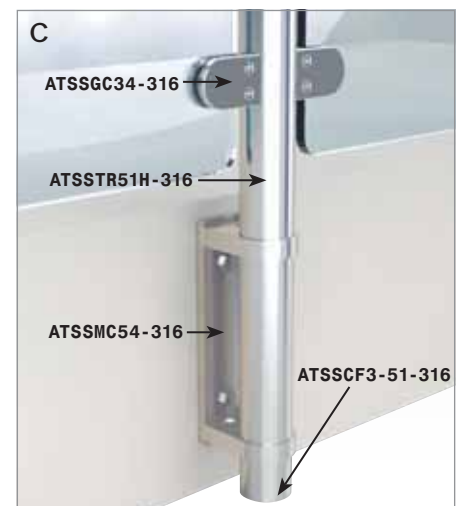
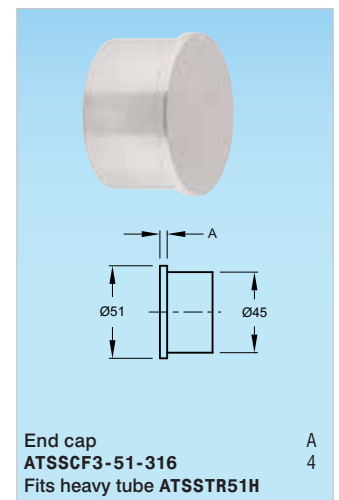
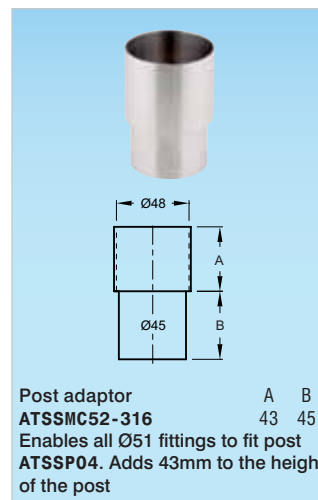
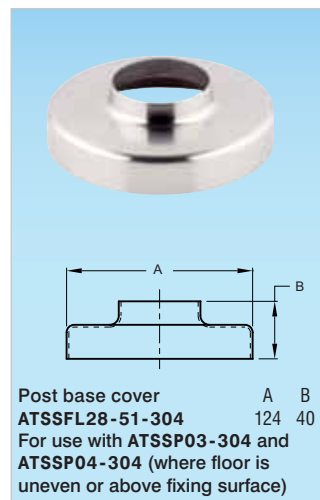
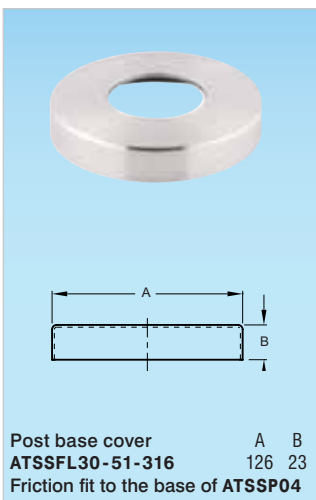
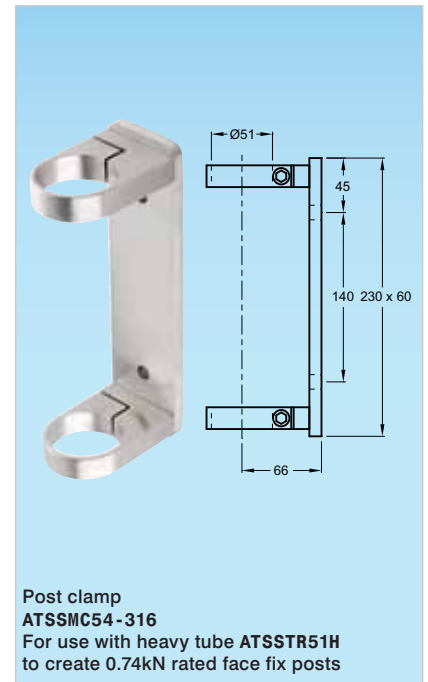
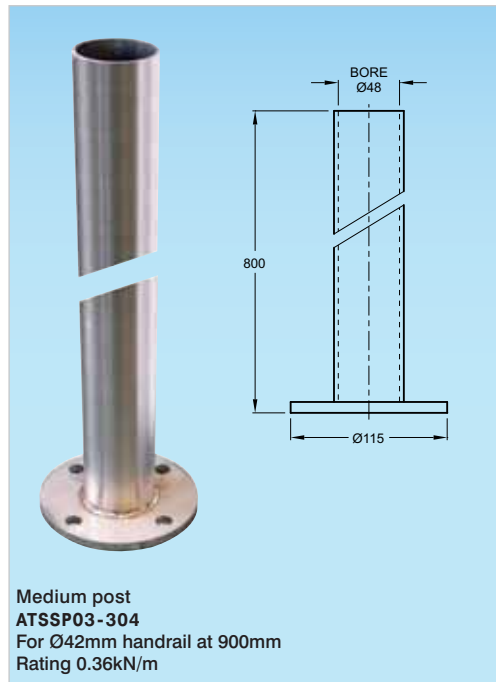
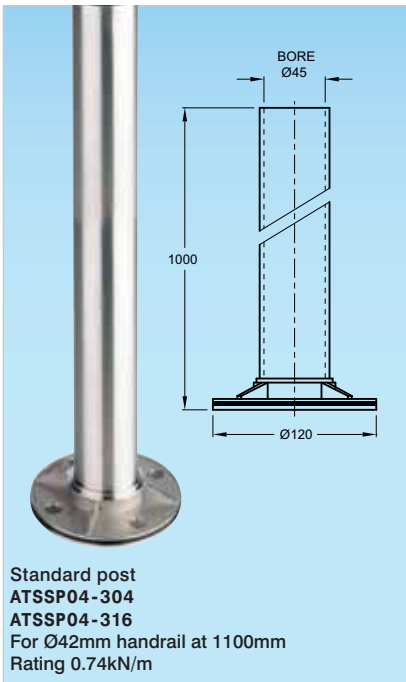
## RAILING POSTS

To support handrail at the critical heights of 1100 and 900mm and to meet barrier requirements in all building use categories, Andy Thornton stock three stainless steel newel posts:

- The medium post **ATSSP03** satisfies the requirements of domestic and light commercial categories. It will accept all our 51mm tube components.
- The standard post **ATSSP04** meets the most popular category

of staircases and balconies. It will accept all our 42mm tube components directly and our 51mm tube components with the adaptor **ATSSMC52-316**

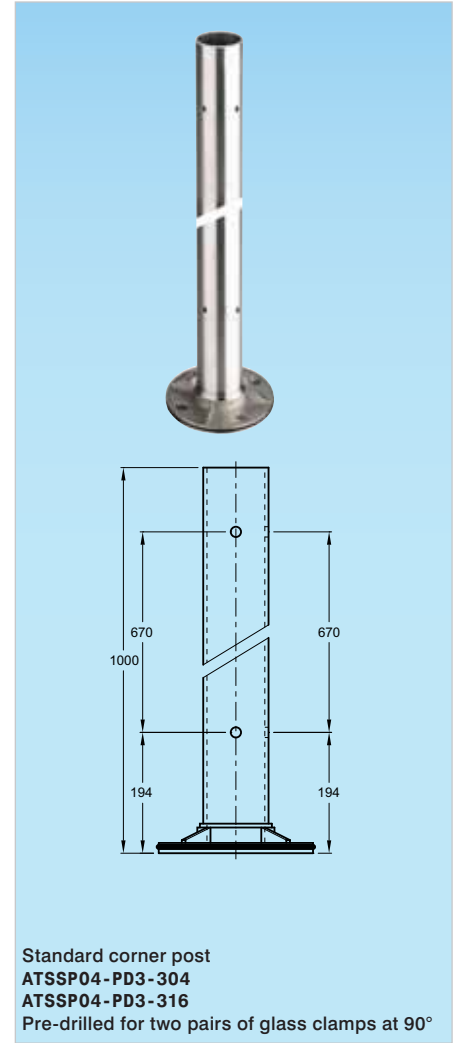
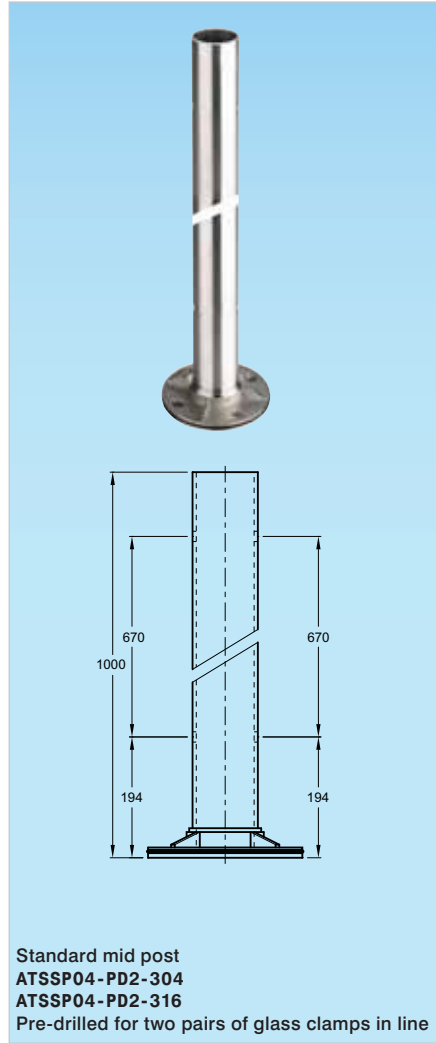
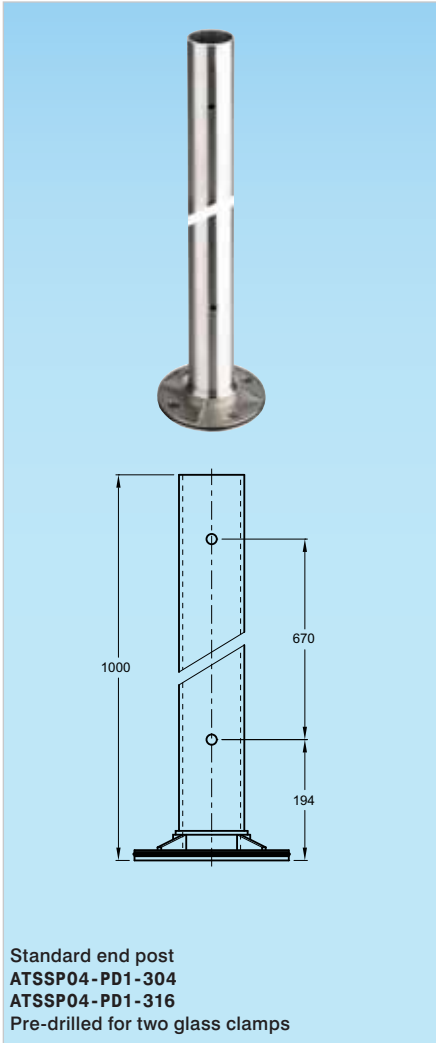
Infill between these posts can be made using glass clamps or stainless steel rails. These will entail drilling and tapping the posts on site.



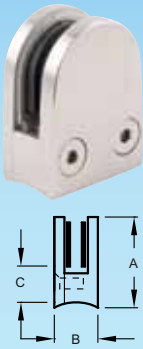
## PRE-DRILLED POSTS

If drilling and tapping the M8 holes required for our glass clamps is a problem, these prepared posts offer an alternative. The standard post ATSSP04 is stocked with

the correct holes ready for glass clamps in the recommended positions shown. We also pre-drill according to customer instruction.



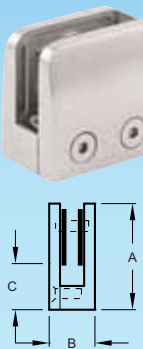
# GLASS CLAMPS



Glass clamp

	A	B	C
<b>ATSSGC32-304</b> For 6mm glass	50	24	20
<b>ATSSGC31-304</b> For 8mm glass	50	24	20

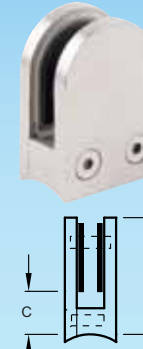
Length 40  
Fixes to Ø51 tube with M8 screw supplied.  
Will fix back to back on Ø51 tube with M8 x 70 screw and nut (not supplied).



Glass clamp

	A	B	C
<b>ASSGC35-316</b> For 10mm glass	64	28	20
<b>ATSSGC33-316</b> For 12mm glass	64	28	20


Length 52  
Fixes to flat surface with M8 screw supplied.  
Security plate and pin included.



Glass clamp

	A	B	C
<b>ATSSGC34-304</b> For 10mm glass	64	28	20
<b>ATSSGC34-316</b> For 10mm glass	64	28	20


Length 45  
Fixes to Ø51 tube with M8 screw supplied or back to back on Ø51 tube with M8 x 75 screw and nut (not supplied). Security pin included.



Glass clamp

	A	B	C
<b>ATSSGC37-304</b> For 8mm glass	64	28	20
<b>ATSSGC37-316</b> For 8mm glass	64	28	20


Length 45  
Fixes to Ø51 tube with M8 screw supplied. Will fix back to back on Ø51 tube with M8 x 70 screw and nut (not supplied).



Glass clamp

	A	B	C
<b>ATSSGC36-304</b> For 6mm glass	50	28	20
<b>ATSSGC39-304</b> For 8mm glass	50	28	20
<b>ATSSGC40-304</b> For 10mm glass	50	28	20

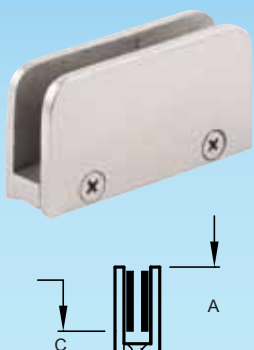
Length 45  
Fixes to Ø51 tube with M8 screw supplied. Will fix back to back on Ø51 tube with M8 x 70 screw and nut (not supplied).



Glass clamp

	A	B	C
<b>ATSSGC38-304</b> For 6mm glass	50	28	20
<b>ATSSGC41-304</b> For 8mm glass	50	28	20

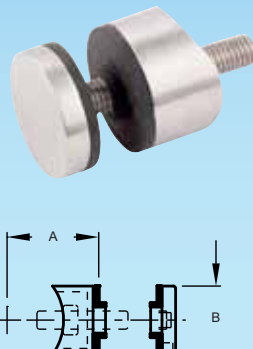
Length 45  
Fixes to flat surface with M8 screw supplied.



Glass clamp

	A	B	C
<b>ATSSGC28-304</b> For 6mm glass	33	17	12

Fixes to Ø51 tube.  
Length 62


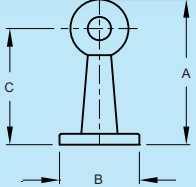


Glazing bolt

	A	B
<b>ATSSMC21-304</b> For 6-12mm glass	40	30


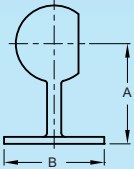
Fixes to Ø51 tube with M8 screw supplied




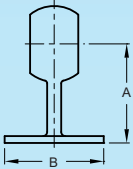
End pillar Ø6mm

	A	B	C
ATSSBP6-6-304 End	40	22	32
ATSSBP8-6-304 Centre	40	22	32
ATSSBP10-6-304 Corner	40	22	32


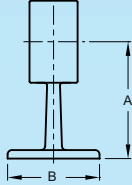
Ball end pillar

	Ø	A	B
ATSSBP6-38-304	38	70	72
ATSSBP6-51-304	51	78	82


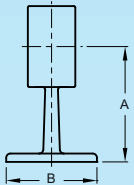
Ball centre pillar

	Ø	A	B
ATSSBP8-38-304	38	70	72
ATSSBP8-51-304	51	78	82

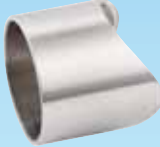
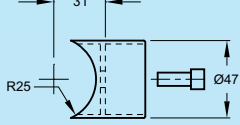
Plain centre pillar

	Ø	A	B
ATSSFP4-38-304	38	65	56
ATSSFP4-51-304	51	82	64

Plain end pillar

	Ø	A	B
ATSSFP2-38-304	38	65	56
ATSSFP2-51-304	51	82	64


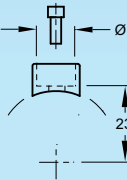



90° connector

ATSSMC22-42-316

Connects 42mm tube to side of post ATSSP04-316


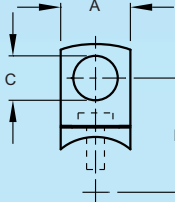
Ø 42-51

Rail socket

	Ø
ATSSMC66-14-316	14
ATSSMC66-19-316	19


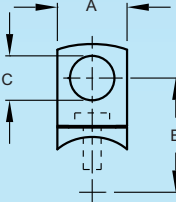
Connects 14mm or 19mm tube to post or 42mm tube

Rail socket

	Ø	A	B	C
ATSSMC20-304	19	32	53	20

Connects Ø19 tube to Ø51 tube

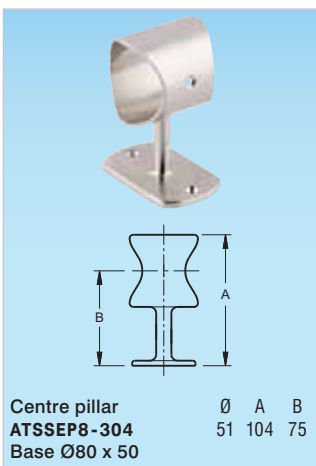
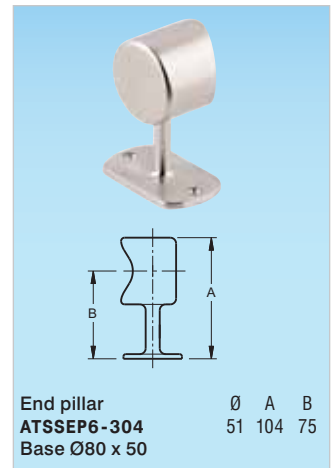
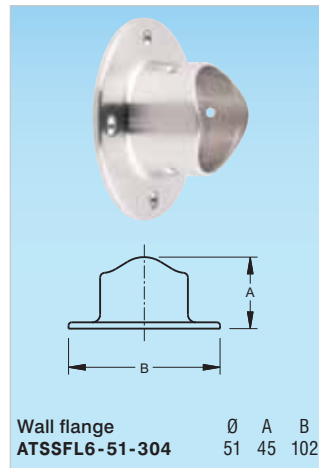
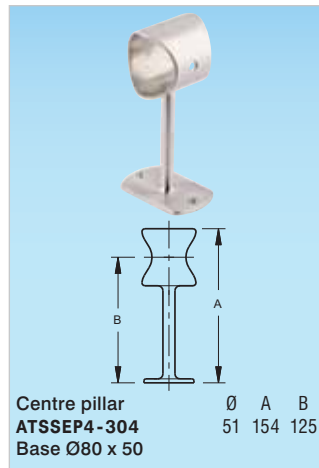
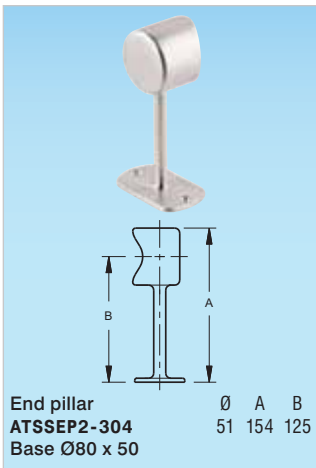
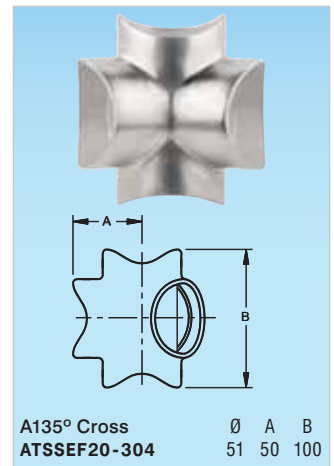
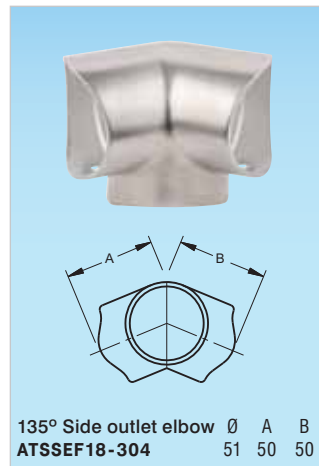
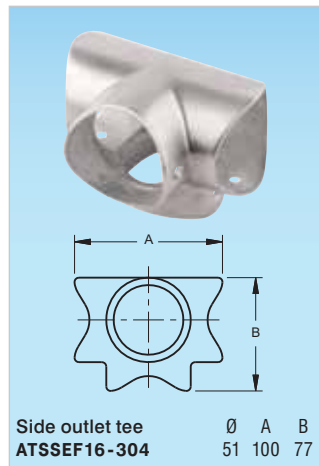
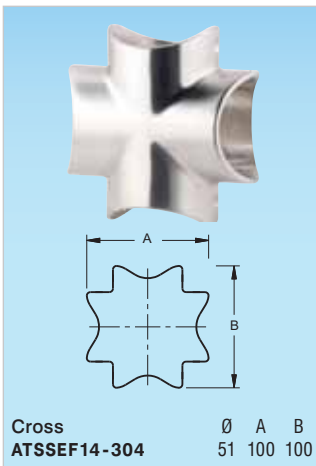
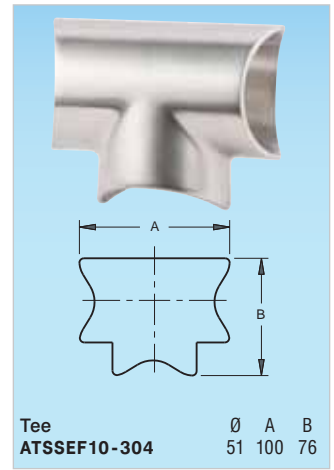
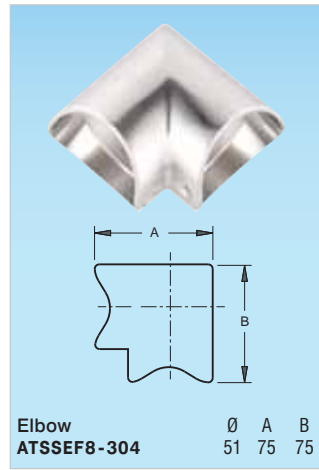
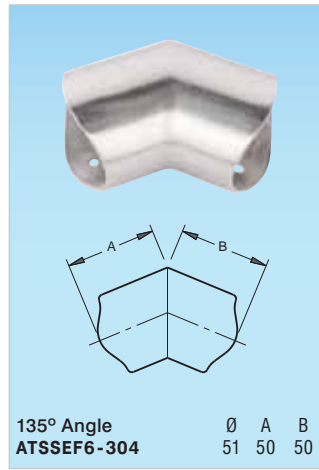
Rail socket

	Ø	A	B	C
ATSSMC76-316	42	22	46	14

Connects 14mm bar to 42mm tube

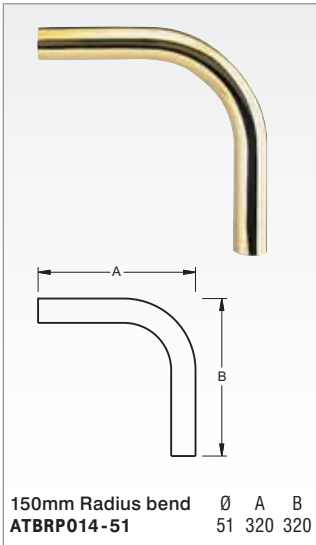
# EASIFIT FITTINGS

A range of sleeve type fittings designed for simple on site assembly. A precise cut is not necessary with these fittings as the cut edge is hidden by a unique sleeve profile which also creates a distinctive appearance. The ideal post for this system is the standard post ATSSPO4 shown on page 8. The Easifit range is only available for 51mm tube.



## BRASS TUBE AND BAR

We carry large stocks of brass extrusions in the form of tube, bar, and twist, all of which can be supplied cut to length. We do not supply in a lacquered finish, as this would make assembly and re-polishing difficult.



## HARDWOOD HANDRAIL



## ELECTROPLATED FINISHES

Andy Thornton electroplating is of the finest quality. Our chrome plate is to BS1224: 1970 Table 4 Service condition 2: "Nickel and chrome on copper alloy". Nickel base is of minimum thickness 20 microns. Chromium is extremely hard; other finishes, based on softer metals,

are protected by a coating of tough electro-phoretic lacquer (electrolac). Any of our brass items can be plated to achieve the finishes shown below, but care should be exercised when specifying a plated finish for high wear components such as foot rails. Often stainless steel can be used

instead of plated brass. It is best to protect the cut end of a plated tube within a sleeve type fitting. If this is not possible, as for flush fittings, then order tube cut to length so that the plating is unbreached.

**Maximum plated tube length 1.5m.**



Antique copper and electrolac



Bronze metal antique (BMA) and electrolac



Bright chrome



Satin chrome



Satin nickel and electrolac

## PERFORATED SHEET

Perforated brass sheet provides a versatile and attractive way of concealing radiators, air conditioning vents and other fittings. Order the size you require and for easier installation ask us to supply the sheets fitted into brass angle frames.



ATBRPS2  
Perforated 0.7mm brass sheet  
Size 1800 x 900  
Pattern repeat 32mm




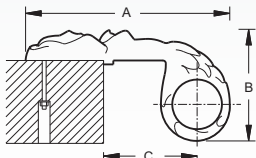
ATBRPS6  
Perforated 0.7mm brass sheet  
Size 1800 x 900  
Pattern repeat 8mm




Radiator grille incorporating perforated sheet.

# HANDRAIL BRACKETS

Note: All brass fittings can be chrome plated. Please see page 13 for our full range of plated finishes.


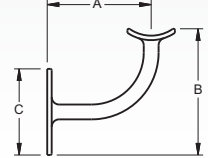
Mermaid handrail bracket  
**ATBRBR12-51**    Ø A B C  
 51 220 115 86




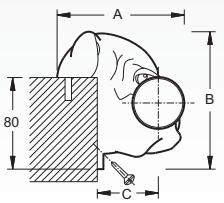

Elephant head handrail bracket  
**ATBRBR16-51**    Ø A B C  
 51 170 122 85




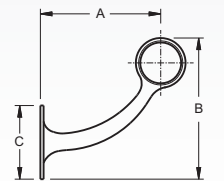

Lion head handrail bracket  
**ATBRBR20-51**    Ø A B C  
 51 206 130 120


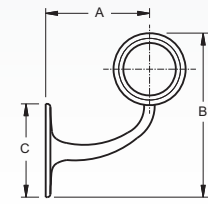
Handrail bracket  
**ATBRBR2-51**    Ø A B C  
 51 70 85 58


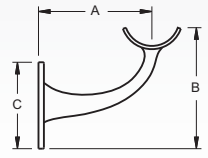
British bulldog handrail bracket  
**ATBRBR17-51**    Ø A B C  
 51 125 115 80


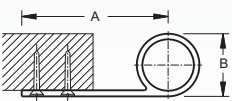
Handrail bracket  
**ATBRBR6-38**    Ø A B C  
 38 147 165 85  
**ATBRBR6-51**    51 150 176 92


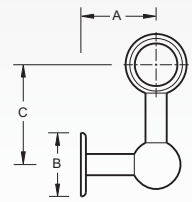
Handrail bracket  
**ATBRBR8-51**    Ø A B C  
 51 100 155 90

Handrail bracket  
**ATBRBR4-51**    Ø A B C  
 51 105 112 78

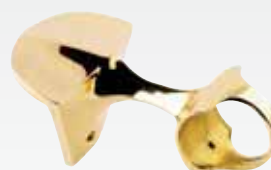
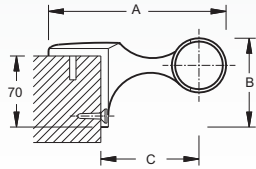



Handrail bracket  
**ATBRBR26-38**    Ø A B  
 38 150 50  
**ATBRBR26-51**    51 145 62


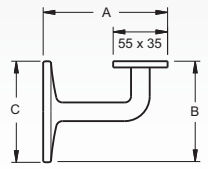



Pre-adjusted handrail bracket  
**ATBRBR24-38**    Ø MIN A B MIN C  
 38 90 76 115  
**ATBRBR24-51**    51 90 76 120


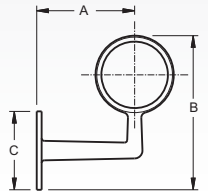
Please state dimensions required when ordering


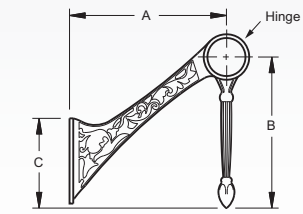
Handrail bracket  
**ATBRBR22-51**    Ø A B C  
 51 190 95 105

Handrail bracket  
**ATBRBR10**    A B C  
 90 65 65


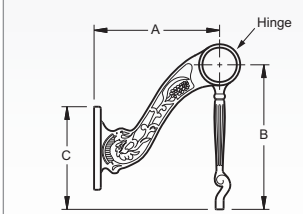



Handrail bracket  
**ATBRBR7-51**    Ø A B C  
 51 70 118 55

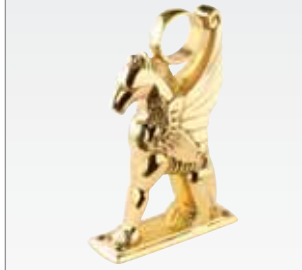
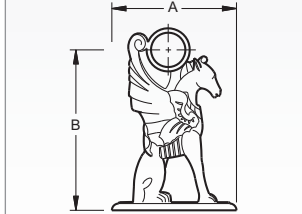
**Hinged footrail bracket**  
**ATBRBR30-51**

Ø	A	B	C
51	210	202	120


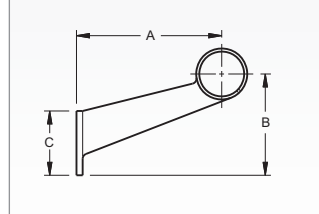
**Hinged footrail bracket**  
**ATBRBR32-51**

Ø	A	B	C
51	186	214	152


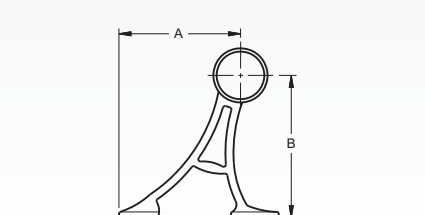
**Pegasus footrail bracket**  
**ATBRBR33-51**

Ø	A	B
51	185	238


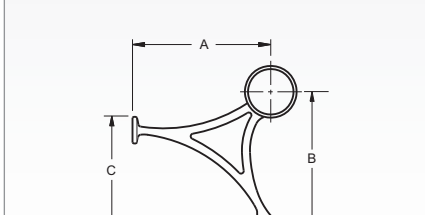
**Footrail bracket**  
**ATBRBR27-51**

Ø	A	B	C
51	165	115	73x50


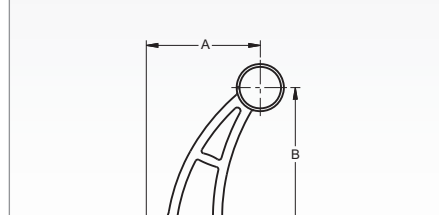
**Footrail bracket**  
**ATBRBR34-38**  
**ATBRBR34-51**

Ø	A	B
38	130	140
51	135	152

**Footrail bracket**  
**ATBRBR28-38**  
**ATBRBR28-51**

Ø	A	B	C
38	135	135	130
51	153	153	125

**Footrail bracket**  
**ATBRBR29-38**  
**ATBRBR29-51**

Ø	A	B
38	130	153
51	140	174




**Pre-adjusted footrail bracket**  
**ATBRBR36-38**  
**ATBRBR36-51**

Ø	A	MIN B
38	76	75
51	76	80

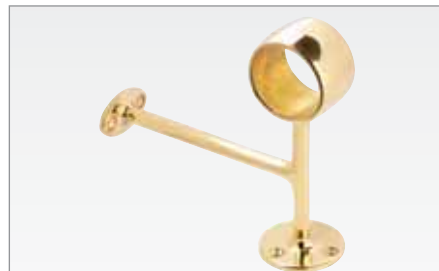
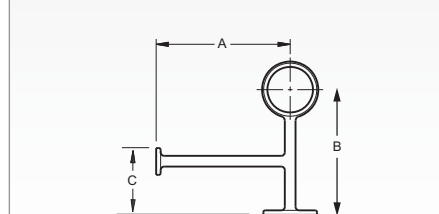
Please state dimensions required when ordering




**Pre-adjusted footrail bracket**  
**ATBRBR37-51**

Ø	MIN A	MIN B	C	D
51	80	80	76	76

Please state dimensions required when ordering


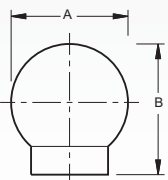



**Footrail bracket**  
**ATBRBR42-51**


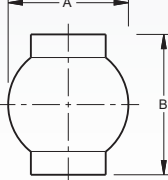
Ø	A	B	C
51	150	140	75

# BALL FITTINGS


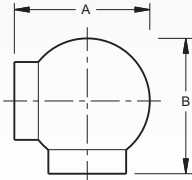
Note: All brass fittings can be chrome plated. Please see page 13 for our full range of plated finishes.


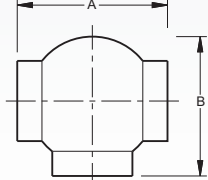
Single outlet	Ø	A	B
ATBRBF2-38	38	65	75
ATBRBF2-51	51	85	105


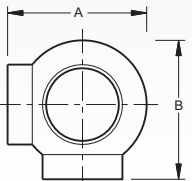
Parallel outlet	Ø	A	B
ATBRBF4-38	38	65	88
ATBRBF4-51	51	92	108


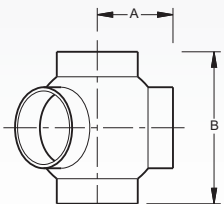
Elbow	Ø	A	B
ATBRBF8-38	38	68	68
ATBRBF8-51	51	95	95


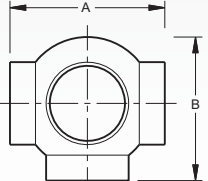
Tee	Ø	A	B
ATBRBF10-38	38	75	70
ATBRBF10-51	51	105	98


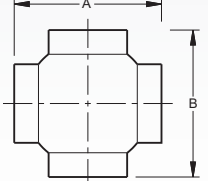
Side outlet elbow	Ø	A	B
ATBRBF11-38	38	72	72
ATBRBF11-51	51	95	95


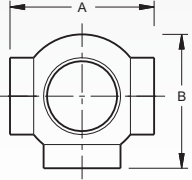
135° Cross	Ø	A	B
ATBRBF24-38	38	37	75
ATBRBF24-51	51	43	88


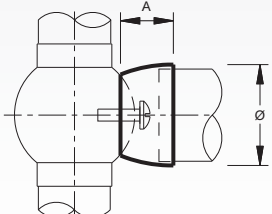
Side outlet tee	Ø	A	B
ATBRBF12-38	38	78	70
ATBRBF12-51	51	105	95

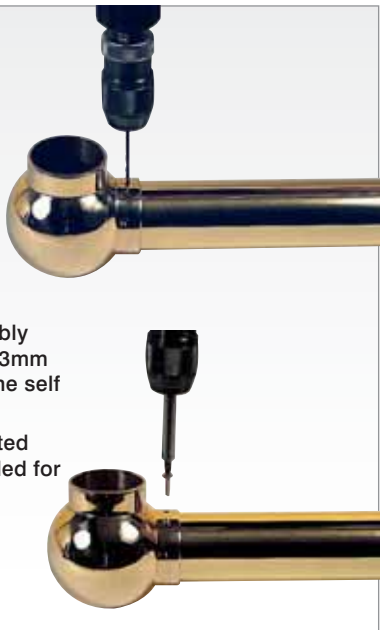
Cross	Ø	A	B
ATBRBF14-38	38	76	76
ATBRBF14-51	51	105	105

Side outlet cross	Ø	A	B
ATBRBF16-38	38	75	75
ATBRBF16-51	51	90	90

Rotational angle collar	A	Ø
For tube to ball connection (max angle 22°)		
ATBRMC2-38	22	42
ATBRMC2-51	25	55



For ball fitting self assembly we recommend drilling a 3mm pilot hole prior to fitting the self drilling screws provided.

The screws are brass plated steel and not recommended for outdoor use.

# FLUSH FITTINGS

Flush bend

	Ø	A	B
ATBRFF2-25	25	50	50
ATBRFF2-38	38	70	70
ATBRFF2-51	51	82	82

Flush wall return

	Ø	A	B
ATBRFF4-38	38	75	70
ATBRFF4-51	51	88	80

Flush 135° bend

	Ø	A	B
ATBRFF6-25	25	35	35
ATBRFF6-38	38	45	45
ATBRFF6-51	51	50	50

Flush elbow

	Ø	A	B
ATBRFF8-38	38	55	55
ATBRFF8-51	51	62	62

Flush tee

	Ø	A	B
ATBRFF10-38	38	60	48
ATBRFF10-51	51	72	62

Flush side outlet elbow

	Ø	A	B
ATBRFF12-38	38	50	50
ATBRFF12-51	51	60	60

Flush cross

	Ø	A	B
ATBRFF14-38	38	60	60
ATBRFF14-51	51	72	72

Flush side outlet tee

	Ø	A	B
ATBRFF16-38	38	60	50
ATBRFF16-51	51	70	60

Flush connecting tee

	A	B	C
ATBRMC10-38	38	25	38
ATBRMC10-51	51	32	51
ATBRMC11	38	29	51

Adjustable saddle


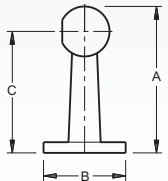
	Ø	A	B
ATBRMC12-51	51	112	68

Saddle  
Length 78

	Ø	A
ATBRMC15	51	75


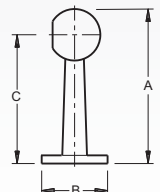
# PILLARS

Note: All brass fittings can be chrome plated. Please see page 13 for our full range of plated finishes.


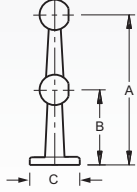
Plain pillar Ø6mm

	A	B	C
ATBRBP6-6 End	40	22	32
ATBRBP8-6 Centre	40	22	32
ATBRBP10-6 Corner	40	22	32


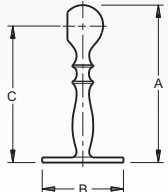
Plain pillar Ø13mm

	A	B	C
ATBRBP6-13 End	75	30	62
ATBRBP8-13 Centre	75	30	62
ATBRBP10-13 Corner	75	30	62


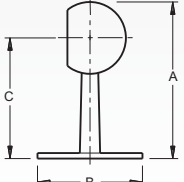
Double pillar Ø6mm

	A	B	C
ATBRBP16-6 End	70	35	23
ATBRBP18-6 Centre	70	35	23
ATBRBP20-6 Corner	70	35	23


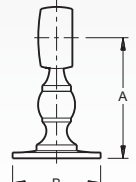
Decorative pillar Ø13mm

	A	B	C
ATBRBP2-13 End	65	40	55
ATBRBP4-13 Centre	65	40	55


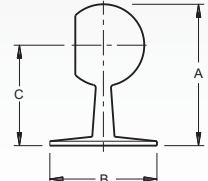
Plain pillar Ø25mm

	A	B	C
ATBRBP6-25 End	85	55	65
ATBRBP8-25 Centre	85	55	65


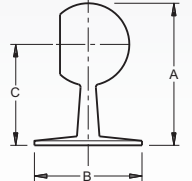
Decorative pillar

	Ø	A	B
ATBRBP2-25 End	25	65	46
ATBRBP2-38 End	38	75	46


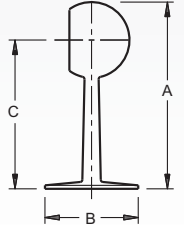
Plain pillar Ø38mm

	A	B	C
ATBRBP6-38 End	95	72	70
ATBRBP8-38 Centre	95	72	70


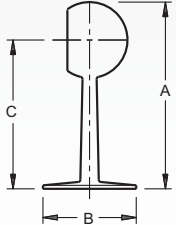
Plain pillar Ø51mm

	A	B	C
ATBRBP6-51 End	108	82	75
ATBRBP8-51 Centre	108	82	75


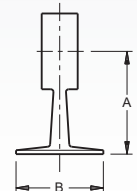
Tall pillar Ø38mm

	A	B	C
ATBRBP12-38 End	155	60	125
ATBRBP14-38 Centre	155	60	125


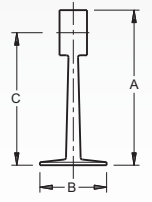
Tall pillar Ø51mm

	A	B	C
ATBRBP12-51 End	160	75	125
ATBRBP14-51 Centre	160	75	125

Short slim end pillar


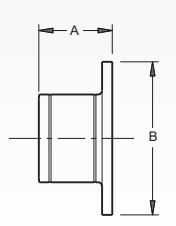
	Ø	A	B
ATBRFP6-38 End	38	62	60
ATBRFP6-51 End	51	80	60

Tall slim pillar Ø38mm


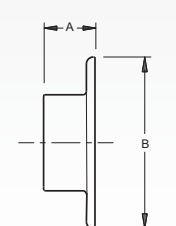
	A	B	C
ATBRFP2-38 End	158	68	135
ATBRFP4-38 Centre	158	68	135

# FLANGES


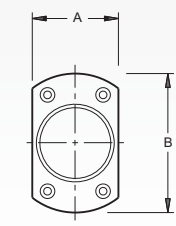
Wall flange

	Ø	A	B
ATBRFL2-25	25	28	60
ATBRFL2-38	38	36	70

Wall flange

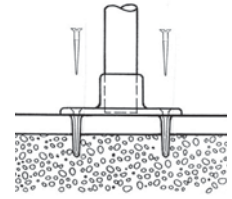
	Ø	A	B
ATBRFL4-25	25	22	52
ATBRFL4-38	38	24	75
ATBRFL4-51	51	30	122

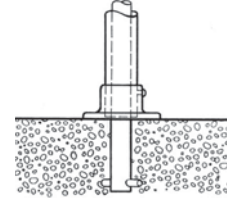
Wall flange

	Ø	A	B
ATBRFL8-38	38	48	75
ATBRFL8-51	51	62	100

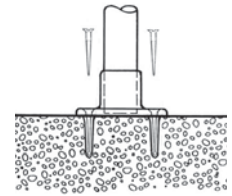
## FLOOR FLANGE FIXING OPTIONS



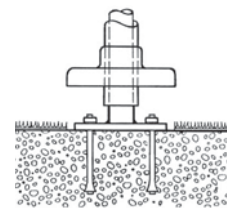
**STANDARD DUTY**  
ATBRFL20-51 with  
four fixing holes




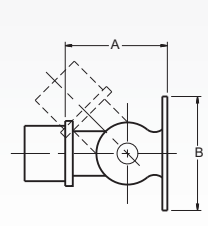
**HEAVY DUTY**  
ATBRFL18-51 with  
steel core ATBRST48



**LIGHT DUTY**  
ATBRFL18-51 with  
three fixing holes

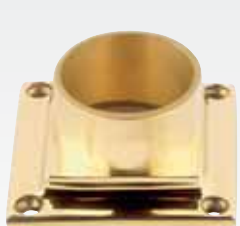
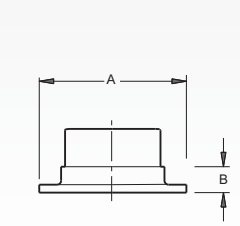


**HEAVY DUTY**  
ATBRFL26-51 steel floor  
anchor with ATBRFL28-51  
cover (excellent for carpeted  
areas)


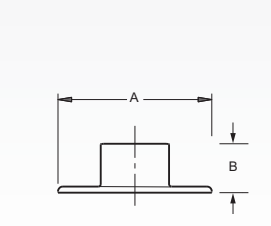
Adjustable flange

	Ø	A	B
ATBRFL12-51	51	75	102

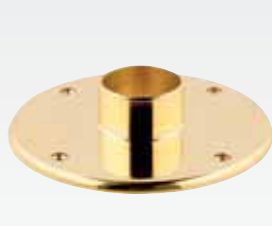
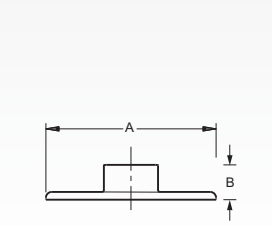
Flange

	Ø	A	B
ATBRFL17-38	38	62x62	13
ATBRFL17-51	51	74x74	13


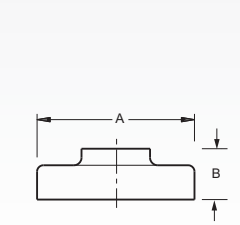
Floor flange

	Ø	A	B
ATBRFL18-51	51	126	40


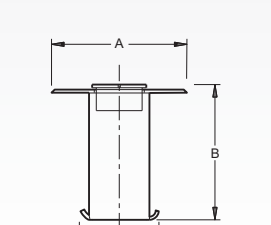
Floor flange

	Ø	A	B
ATBRFL20-51	51	176	36

Flange cover

	Ø	A	B
ATBRFL24-38 (cover for FL22-28)	38	100	35
ATBRFL28-51 (cover for FL26-51)	51	122	35

Floor socket & cap

	Ø	A	B	C
ATBRFL21-51	51	130	122	83

For use with removable posts



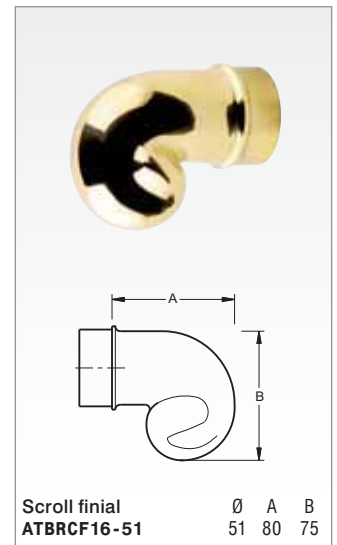
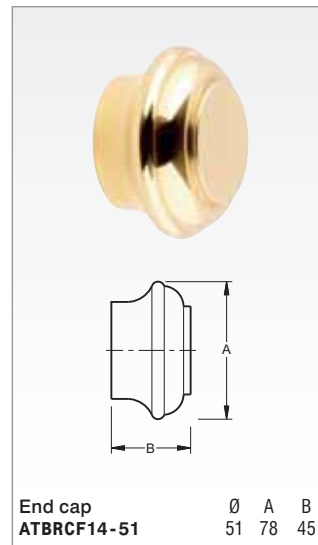
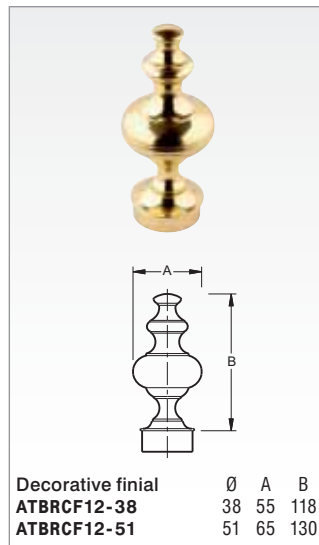
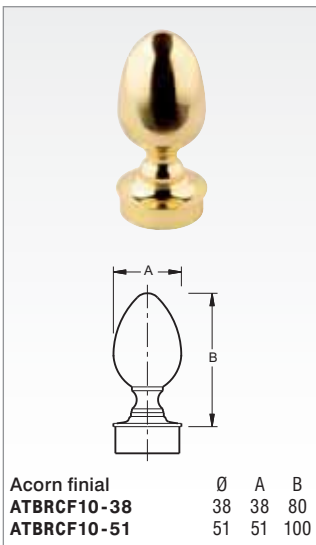
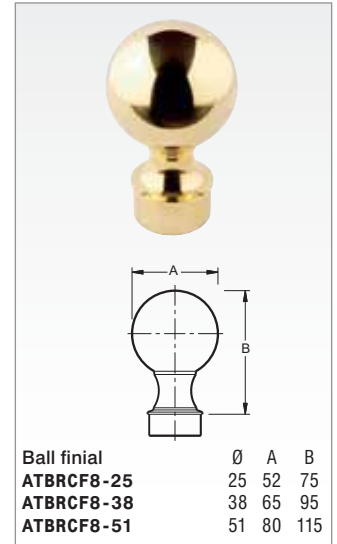
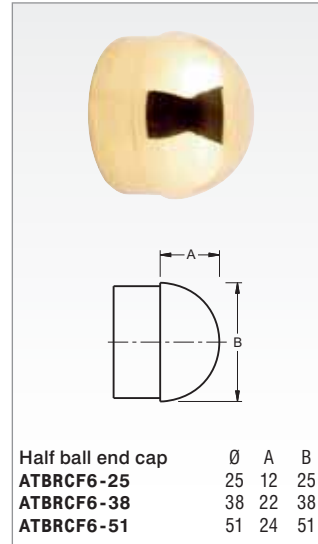
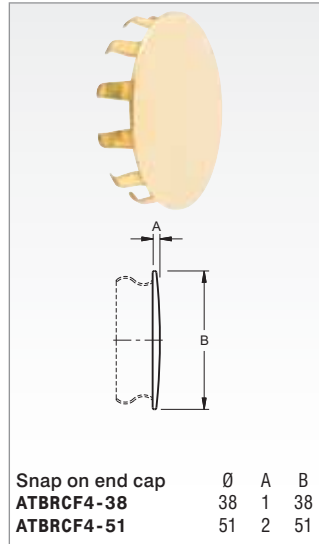
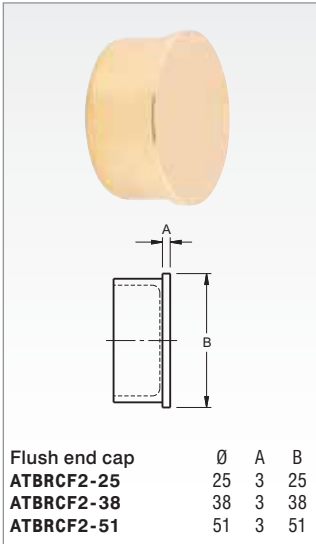
Steel support post shown  
with 51mm dia brass tube  
and flange cover

Steel support post with 3mm wall	Ø	Ht	Base Ø
ATBRFL22-38	38	850	88
ATBRFL26-51	51	850	115

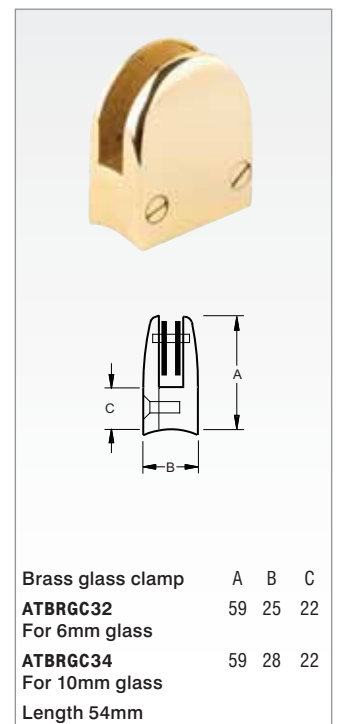
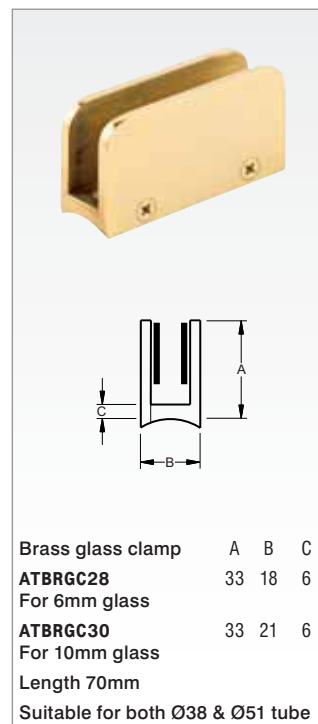
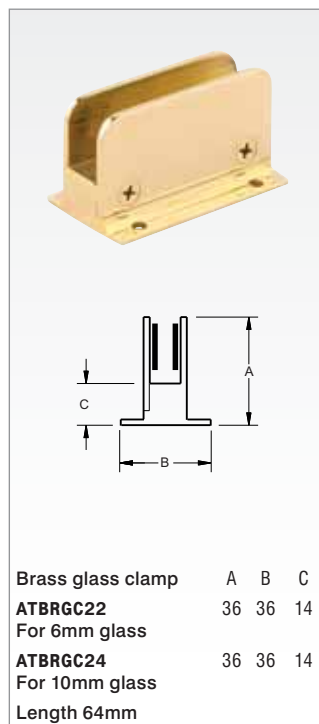
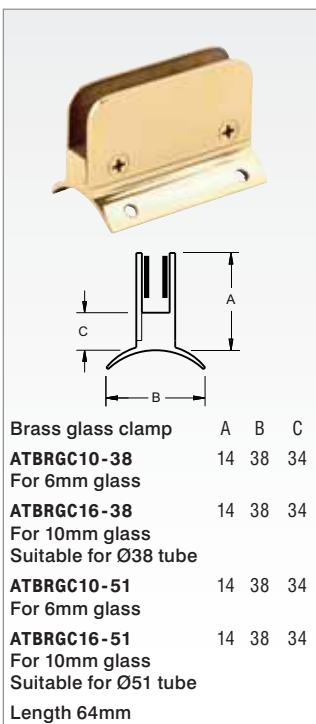
Fits inside 51mm tube

## CAPS & FINIALS

Note: All brass fittings can be chrome plated. Please see page 13 for our full range of plated finishes.



## GLASS CLAMPS



## SIGNS



**ATBRSI6**  
Large brass Ladies sign  
Width 425 Ht 135



**ATBRSI8**  
Large brass Gentlemen sign  
Width 585 Ht 135



**ATBRSI10**  
Large brass Restrooms sign  
Width 575 Ht 130



**ATBRSI34**  
Ornate brass Ladies Room sign.  
Width 148 Ht 90



**ATBRSI36**  
Ornate brass Mens Room sign.  
Width 148 Ht 90



**ATBRSI21**  
Brass Ladies sign  
Width 275 Ht 60



**ATBRSI23**  
Brass Gentlemen sign  
Width 275 Ht 60



**ATBRSI40**  
Brass access sign  
Width 120 Ht 75



**ATBRSI2**  
Brass Ladies sign  
Width 175 Ht 56



**ATBRSI4**  
Brass Gentlemen sign  
Width 175 Ht 56



**ATBRSI27**  
Brass Private sign  
Width 275 Ht 60



**ATBRSI25**  
Brass Toilet sign  
Width 275 Ht 60



**ATSSSI6-304**  
Stainless steel Toilets oval sign  
Engraved black  
Ht 75 Length 200



**ATSSSI4-304**  
Stainless steel Ladies oval sign  
Engraved black  
Ht 75 Length 200



**ATSSSI2-304**  
Stainless steel Gentlemen oval sign  
Engraved black.  
Ht 75 Length 200



**ATSSRM6-304**  
Stainless steel access sign  
Ht 112 Width 104



**ATSSRM4-304**  
Stainless steel Gentlemen sign  
Ht 152 Width 67



**ATSSRM2-304**  
Stainless steel Ladies sign  
Ht 152 Width 67

## MISCELLANEOUS



**ATBRMC22**  
Coat hook  
Ht 85 Projection 90



**ATBRMC36**  
Coat hook  
Ht 90 Projection 80



**ATBRMC42**  
Double coat hook - nickel plated  
Ht 110 Length 130 Projection 60



**ATBRMC24**  
Double coat hook  
Ht 50 Width 75 Projection 35



**ATBRMC26-51**  
Curtain ring  
Inside dia 63



**ATBRMC50**  
Counter flap catch and striker  
plate. For 50mm max thickness



**ATBRMC48**  
Counter flap hinge  
Length 115 Width 47



**ATBRMC20**  
Bag of 100 3mm brass self drilling screws  
Length 30 Pan head Ø8



**ATBRMC18**  
Loctite retainer for use with internal flush fittings  
10ml (sufficient for 5 to 8 fittings)



**ATBRMC14-10**  
Stairway carpet brackets  
Swivel cap secures Ø10 rod  
Ht 45 Width 45

# HANDLES & PUSH PLATES



**ATBRHA2**  
Brass Victorian handle  
(symmetrical)  
Height 360  
Width 70



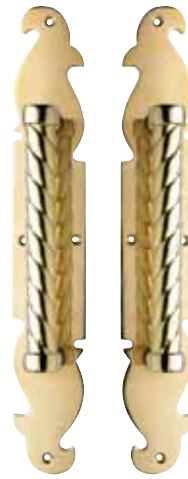
**ATBRPP2**  
Brass Victorian  
push plate  
Height 360  
Width 70



**ATBRHA3**  
Brass Victorian  
handle (symmetrical)  
Height 340  
Width 60



**ATBRPP3**  
Brass Victorian  
push plate  
Height 340  
Width 60



Brass Victorian handle  
**ATBRHA4L** Left hand  
**ATBRHA4R** Right hand  
Height 400  
Width 64



Brass Victorian push plate  
**ATBRPP4L** Left hand  
**ATBRPP4R** Right hand  
Height 400  
Width 64



Brass theatrical handle  
**ATBRHA5L** Left hand  
**ATBRHA5R** Right hand  
Height 490  
Width 78



Brass theatrical push plate  
**ATBRPP5L** Left hand  
**ATBRPP5R** Right hand  
Height 490  
Width 78



Brass Nouveau handle  
**ATBRHA10L** Left hand  
**ATBRHA10R** Right hand  
Height 385  
Width 70



Brass Nouveau push plate  
**ATBRPP10L** Left hand  
**ATBRPP10R** Right hand  
Height 385  
Width 70



Brass Nouveau handle  
**ATBRHA12L** - left hand  
**ATBRHA12R** - right hand  
Height 490  
Width 70



Brass Nouveau push plate  
**ATBRPP12L** - left hand  
**ATBRPP12R** - right hand  
Height 490  
Width 70



**ATBRHA16**  
Brass Victorian  
handle (symmetrical)  
Height 495  
Width 70



**ATBRPP16**  
Brass Victorian  
push plate  
Height 495  
Width 70



**ATBRHA20**  
Brass Edwardian  
handle  
(symmetrical)  
Height 380  
Width 56



**ATBRPP20**  
Brass Edwardian  
push plate  
Height 380  
Width 56



**ATBRHA22**  
Brass door handle  
(symmetrical)  
Height 280  
Width 60



**ATBRPP22**  
Brass push plate  
Height 280  
Width 60



**ATBRHA30**  
Heavy Victorian external  
handle (symmetrical)  
Height 390  
Width 40  
Please state door material  
and thickness



**ATBRHA34**  
Brass diner handle  
(symmetrical)  
Height 500  
Backplate 75  
Overall width 235  
Other sizes to order



**ATBRHA46**  
Brass long handle  
Height 600  
Projection 85  
Width 90  
Other sizes to order



**ATBRHA36**  
Brass Deco handle  
(symmetrical)  
Height 355  
Width 55

Other sizes  
to order



**ATBRHA38**  
Brass long Deco handle  
(symmetrical)  
Height 550  
Width 50  
Other sizes  
to order



**ATBRHA44**  
Brass handle (symmetrical)  
Height 300  
Width 55



**ATSSHA90-304**  
Stainless steel  
semi circular handle  
Height 430  
Width 200



**ATSSHA88-304**  
Stainless steel  
curved handle  
Height 500  
Width 70



**ATBRHA50**  
Rustic cast iron handle  
Height 380  
Backplates 40 x 40



**ATBRHA48**  
Gothic cast iron handle  
Height 385  
Width 55



**ATBRPP28**  
Gothic cast iron push plate  
Height 495  
Width 70

## HANDLES & PUSH PLATES



**ATSSHA82-304**  
Stainless steel & oak handle  
Height 400  
Backplates 58 x 42  
Projection 90  
Ø48



**ATSSHA86-304**  
Stainless steel & oak offset handle  
Height 400  
Backplates 69 x 40  
Projection 93  
Ø44



**ATSSHA80-304**  
Stainless steel handle  
Height 400  
Backplates 58 x 42  
Projection 87  
Ø32



**ATSSHA84-304**  
Stainless steel offset handle  
Height 400  
Backplates 69 x 40  
Projection 93  
Ø32



**ATSSPP2-304**  
Stainless steel push plate  
Engraved black  
Height 400  
Width 70  
Thickness 2



**ATSSPP4-304**  
Stainless steel push plate  
Height 400  
Width 70  
Thickness 2



**ATBRPP26**  
Brass push plate  
Height 360  
Width 70  
Thickness 10



Push plate  
1.2mm brass

	HEIGHT	WIDTH
<b>ATBRPP1A</b>	300	50
<b>ATBRPP1B</b>	300	64
<b>ATBRPP1C</b>	300	75

Other sizes to order

## KICK PLATES

Kick plates are usually fitted in two sizes for each door. One side is 50mm shorter than the other to allow for rebate.

Other sizes made to order at 25% extra to closest size or by quotation. Please see page 13 for various electroplate options.



Plain kick plate  
1.2mm brass

	WIDTH	HEIGHT
<b>ATBRKP2</b>	700	150
<b>ATBRKP4</b>	750	150
<b>ATBRKP6</b>	800	150
<b>ATBRKP8</b>	850	200
<b>ATBRKP10</b>	900	200



Victorian kick plate  
1.2mm brass

	WIDTH	HEIGHT
<b>ATBRKP16</b>	700	150
<b>ATBRKP18</b>	750	150
<b>ATBRKP22</b>	800	150
<b>ATBRKP24</b>	850	200
<b>ATBRKP26</b>	900	200

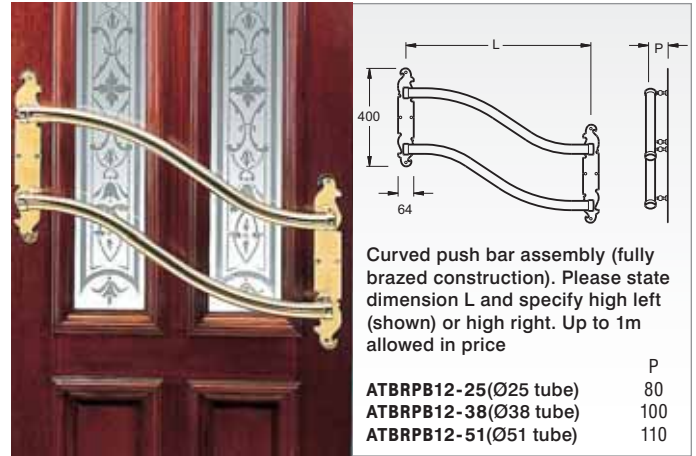
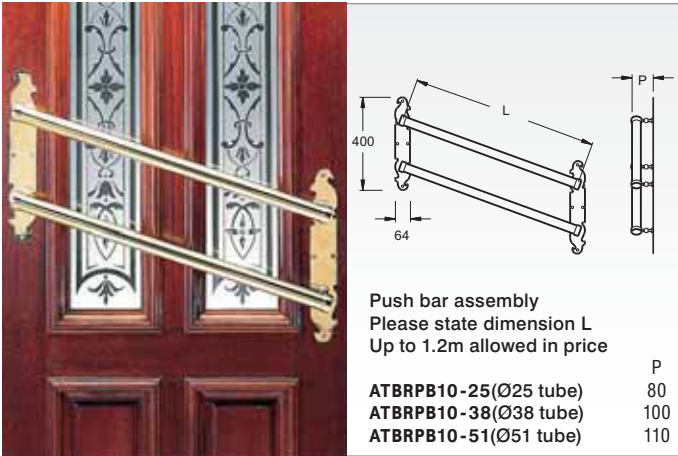


Plain kick plate  
1.2mm stainless steel

	WIDTH	HEIGHT
<b>ATSSKP2-304</b>	700	150
<b>ATSSKP4-304</b>	750	150
<b>ATSSKP6-304</b>	800	150
<b>ATSSKP8-304</b>	850	200
<b>ATSSKP10-304</b>	900	200

## PUSH BARS

Please specify the lengths that you require. We also make push bars to order.



Double push bar assembly using brackets ATBRPB2-38 and tube ATBRTR38. State length required.

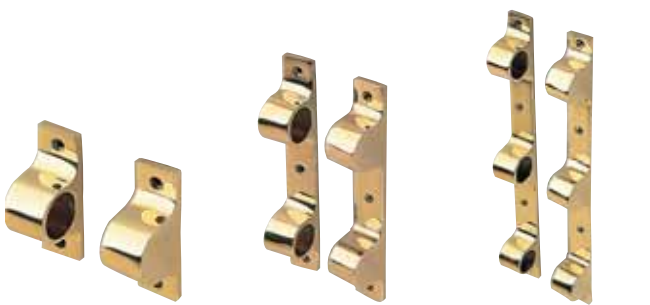


Treble push bar assembly using brackets ATBRPB8-25 and tube ATBRTR25. State length required.



Double push bar assembly using brackets ATBRPB6-25 and tube ATBRTR25 shown chrome plated. State length required.

## PUSH BAR BRACKETS



**ATBRPB4-25**  
Brass single push bar brackets 25mm (pair)  
Projection 38  
Backplate 78 x 25

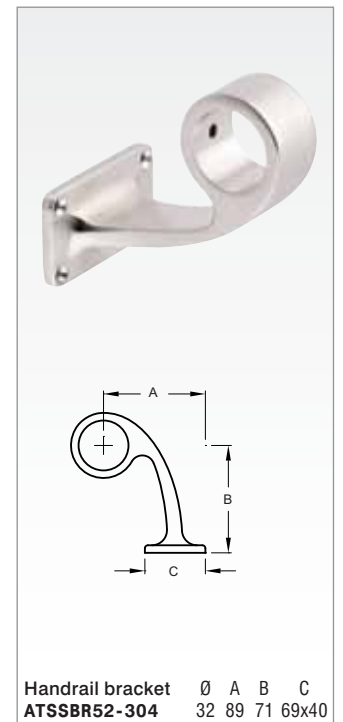
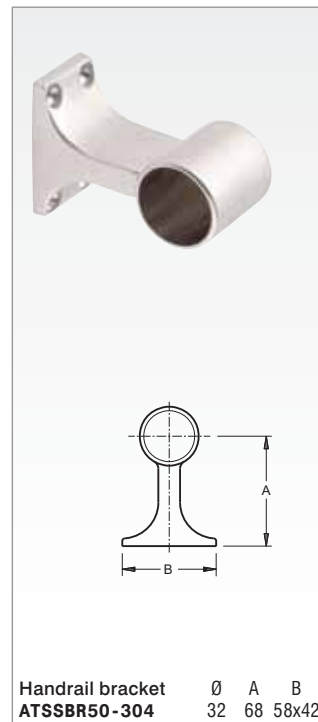
**ATBRPB6-25**  
Brass double push bar brackets 25mm (pair)  
Projection 38  
Backplate 178 x 25

**ATBRPB8-25**  
Brass treble push bar brackets 25mm (pair)  
Projection 38  
Backplate 305 x 25



Pair raised push bar ends

	Ø
ATBRPB2-25	25
ATBRPB2-38	38
ATBRPB2-51	51

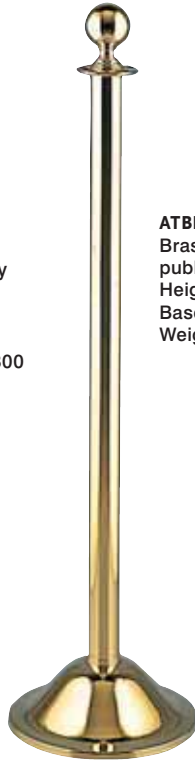


## POSTS & ROPE

We will make up public guidance ropes for you. Please call our sales office and state the finished rope length required.



**ATBRCC18**  
Portable sign in brass & mahogany  
Lettered to order  
Height 1300  
Base Ø285  
Signboard 400 x 300  
Weight 14kg



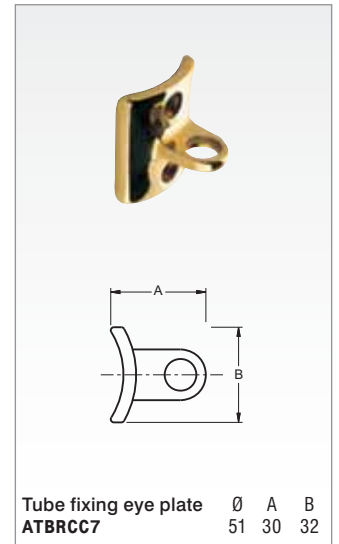
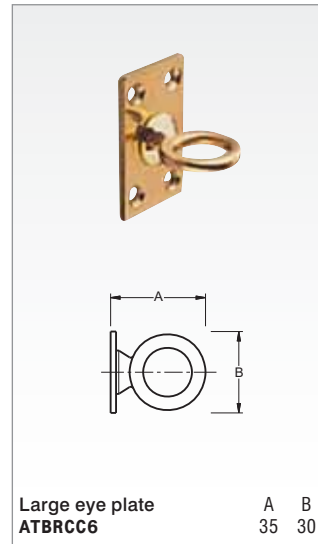
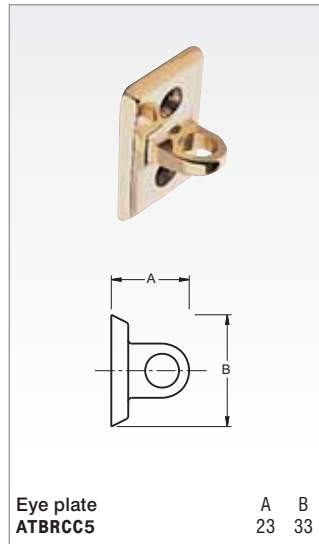
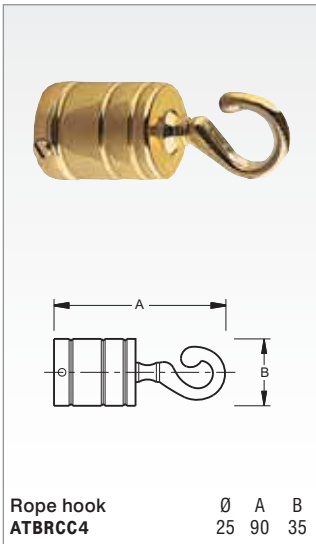
**ATBRCC2-51**  
Brass portable post for public guidance (Ø51)  
Height 1080  
Base Ø285  
Weight 11kg



**ATBRCC10**  
Portable post for public guidance (Ø51)  
Polished chrome finish on steel  
Height 1100  
Base Ø285  
Weight 11kg  
Also available in satin chrome:  
**ATBRCC11**



**ATBRCC20**  
Portable sign in nickel plate & birch  
Lettered to order  
Height 1300  
Base Ø285  
Signboard 400 x 300  
Weight 14kg



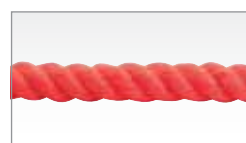
**Black nylon rope (Ø25)**  
**ATBRNR2BK**



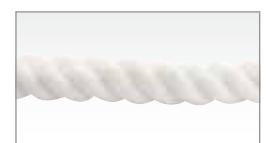
**Blue nylon rope (Ø25)**  
**ATBRNR2BL**



**Green nylon rope (Ø25)**  
**ATBRNR2GR**



**Red nylon rope (Ø25)**  
**ATBRNR2RE**



**White nylon rope (Ø25)**  
**ATBRNR2WH**

## GLASS RACKS

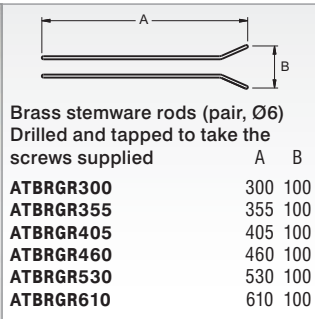
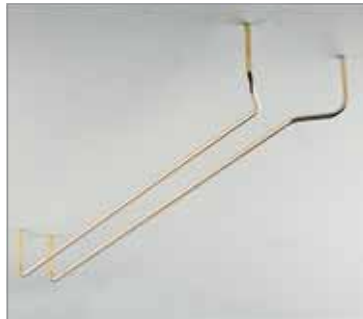
In addition to these standard racks, other glass storage systems can be made to order.

The recommended height from floor to rack is 2050mm. Please specify the rack height required to achieve this.



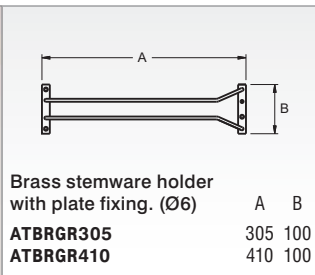
**ATBRGR2-51**  
Brass ceiling mounted glass rack  
Length 1220  
Width 610  
Height to order

## STEMWARE RODS



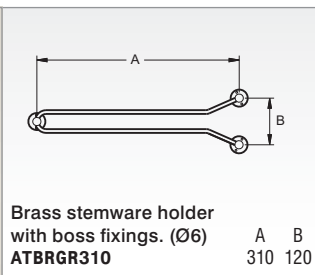
Brass stemware rods (pair, Ø6)  
Drilled and tapped to take the screws supplied

	A	B
<b>ATBRGR300</b>	300	100
<b>ATBRGR355</b>	355	100
<b>ATBRGR405</b>	405	100
<b>ATBRGR460</b>	460	100
<b>ATBRGR530</b>	530	100
<b>ATBRGR610</b>	610	100



Brass stemware holder with plate fixing. (Ø6)

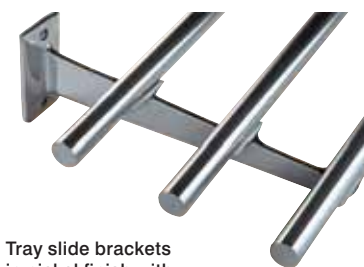
	A	B
<b>ATBRGR305</b>	305	100
<b>ATBRGR410</b>	410	100



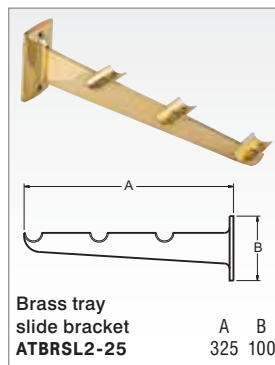
Brass stemware holder with boss fixings. (Ø6)

	A	B
<b>ATBRGR310</b>	310	120

## TRAY SLIDES



Tray slide brackets in nickel finish with **ATSSTR25-304** stainless steel tube (25mm) and **ATSSCF2-25-304** end caps



Brass tray slide bracket  
**ATBRSL2-25**

	A	B
	325	100

## CACTUS POT RACK

Modular system incorporating 10mm toughened glass shelves and wired E27 lamp-holders.

Choice of globes or shades at different costs. Please specify so that the appropriate galleries can be fitted. Stemware rods can also be added at extra cost.

Standard length is 1200 between post centres.

Height to shelf 700. Width of unit 500.

Height of post 1040 for 300mm diameter globes.



### ATBRGR20

Brass cactus pot rack system. Shown here with **ATLGSH37-12** 300mm diameter opalescent globes

## MODULAR POT RACK



### ATBRGR8

Brass modular post light pot rack system. Shown here with **ATLGSH37-12** 300mm diameter opal globes. Other globes or shades are available. Features laminated glass shelf units and E27 lamp holders. Special designs can be made to order.

Length between centres 1200. Height of post 1040. Height of shelf 780  
Width of shelf 225. Shown here as a continuous system with a special curved corner unit.

## WAITRESS STATIONS



Brass standard waitress station 38mm  
**ATBRP010-38**  
Ht 630 Width 350

51mm:  
**ATBRP010-51**  
Ht 680 Width 470

Brass floor mounted waitress station 51mm  
**ATBRP012-51**  
Ht 1500  
Width 455  
Supplied unassembled for height adjustment on site

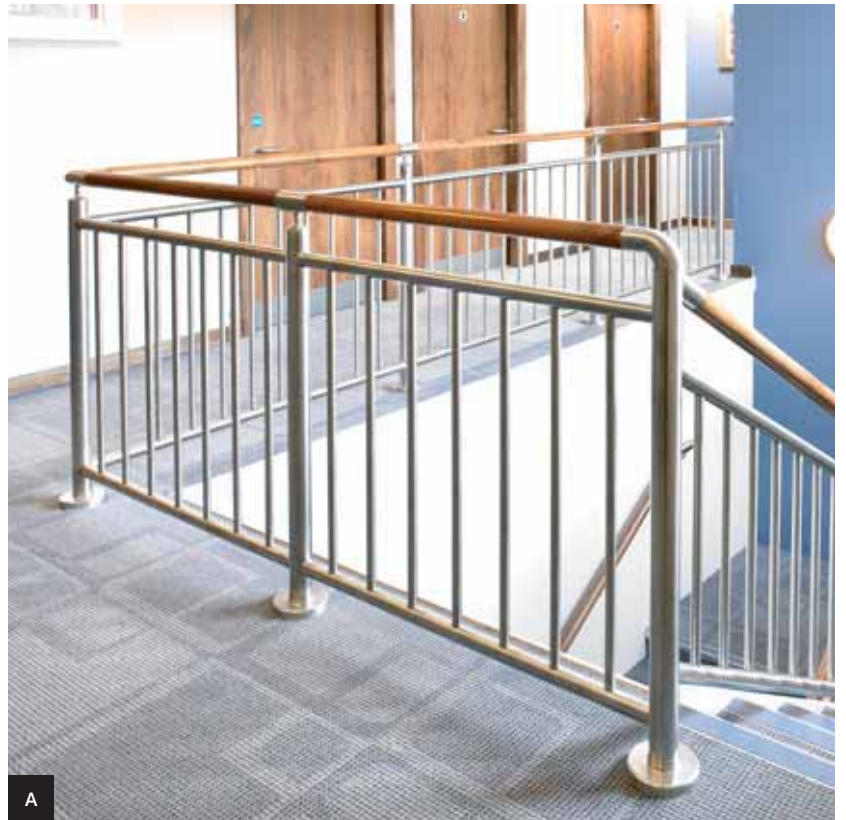


# BESPOKE FABRICATION

Our Architectural Metalwork team provides a design, manufacture and installation service for bespoke structures such as glazed balustrades and balconies, straight, spiral and helical staircases, glass storage systems for bars and decorative lighting.

We work in 304 and 316 grade stainless steel, polished brass, and many other metal finishes, incorporating architectural glazing and specialist joinery where appropriate.

We undertake public sector, commercial and residential contracts nationwide, providing site surveys, 3D concept drawings and site installation where required.



**A. CHARD CONSTRUCTION HEAD OFFICE**

Blantyre, Nr Glasgow  
Client: Chard Construction Ltd

**B. BOCCACCIO RESTAURANT & GRILL, Wakefield**

Client: Alberto Abid

**C. NAWAAB RESTAURANT, Manchester**

**D. THE GREAT HALL, TRAFFORD CENTRE, Manchester**

Client: Peel Group  
Main Contractor: Bovis Lend Lease





B



D

# BESPOKE FABRICATION



**A. BOCCACCIO RESTAURANT & GRILL, Wakefield**  
Client: Alberto Abid

**B. STANWIX PARK HOLIDAY CENTRE, Silloth, Cumbria**  
Client: Stanwix Park Holiday Centre  
Architects: Architectural Design & Planning Ltd  
Main Contractor: Home Construction Ltd

**C. BIBIS CRITERION RESTAURANT, Leeds**  
Client: Bibis Restaurants Ltd  
Designers: Tessa Kennedy Design Ltd

**D. EPERNAY, Manchester**  
Client: Thornton Inns Ltd





