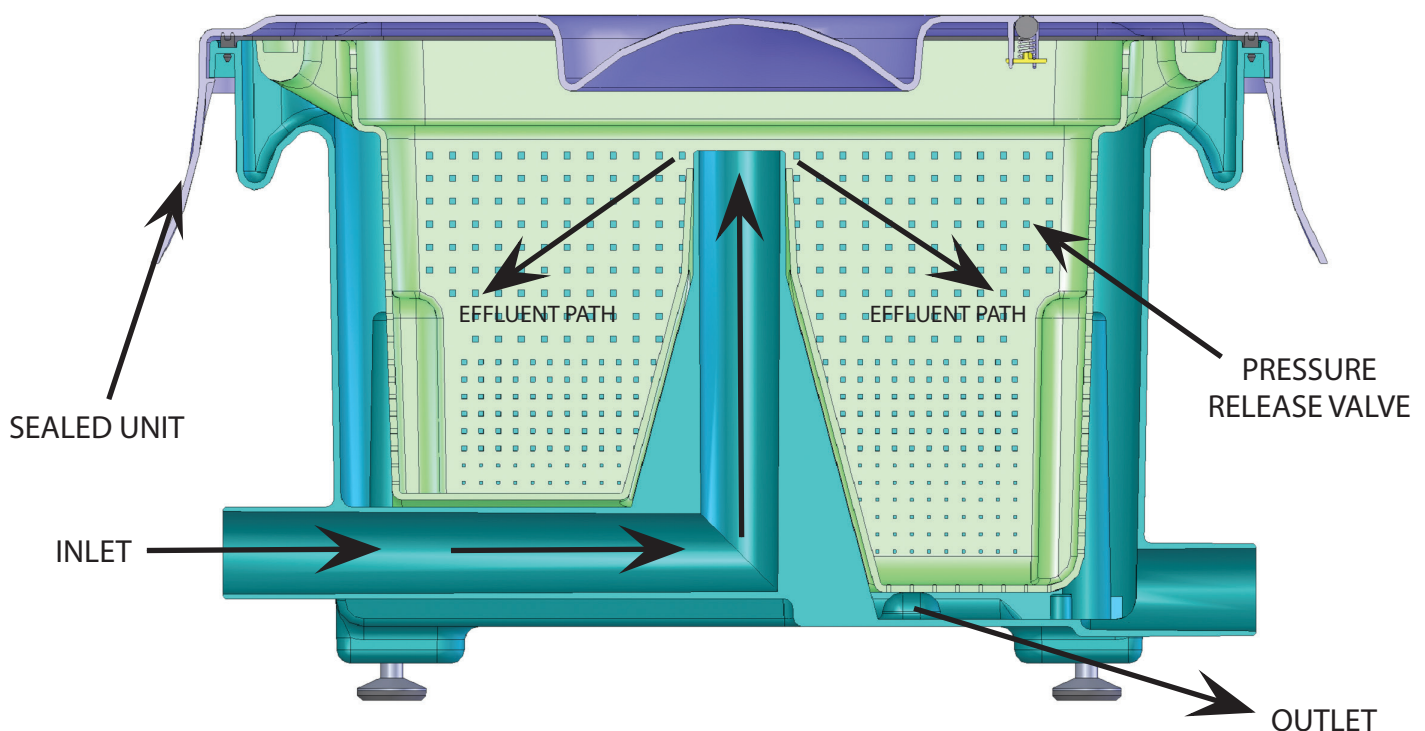


FilterShield™

www.aquamundus.co.uk

“Not all drainage blockages are caused by Fats, Oils and Grease!”



EFFICIENT CONTINUOUS REMOVAL OF SOLIDS WASTE

NO MOVING PARTS!

NO ENERGY COSTS!

NO PROBLEMS!!

**No Membrane Filter
to Replace!**

Aqua Mundus • 20 Bond Industrial Estate • Wickhamford • Worcestershire • WR11 7RL

T: 01386 832205 • W: www.aquamundus.co.uk • E: support@aquamundus.co.uk

FilterShield™

Meat/Fish/Sandwich Preparation sinks



Potato peelers or rumberlers



FilterShield creates a pressure drop similar to the effect of a fountain, enabling separation and retention of solids and allowing water to drain away!



Sinks used for rice washing



Sinks used for the disposal of coffee grinds



Pot sinks

Save Money On Call-out Charges and Drain Cleaning!



Key Applications

- ✓ Coffee Shops
- ✓ Cafes
- ✓ Delis
- ✓ Commercial Kitchens
- ✓ Pot and Pre Rinse Sinks

FilterShield™

Why commercial kitchens need a FilterShield!



Coffee Grinds



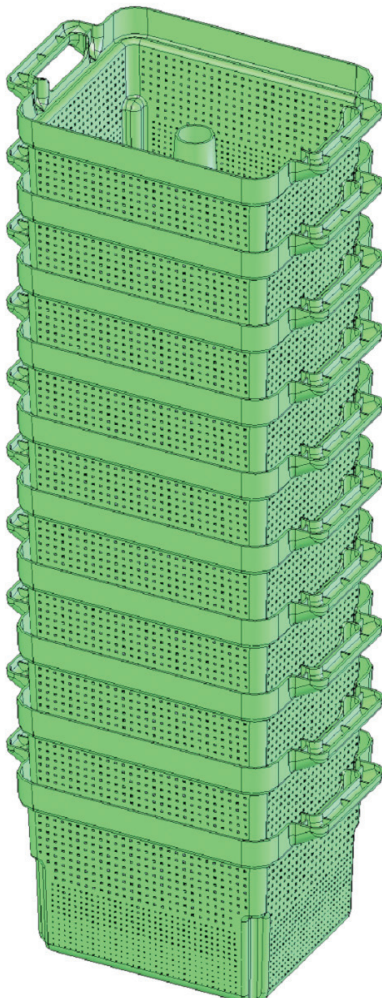
Potato Peelings



Vegetable Peelings



A combination of grease and dairy waste



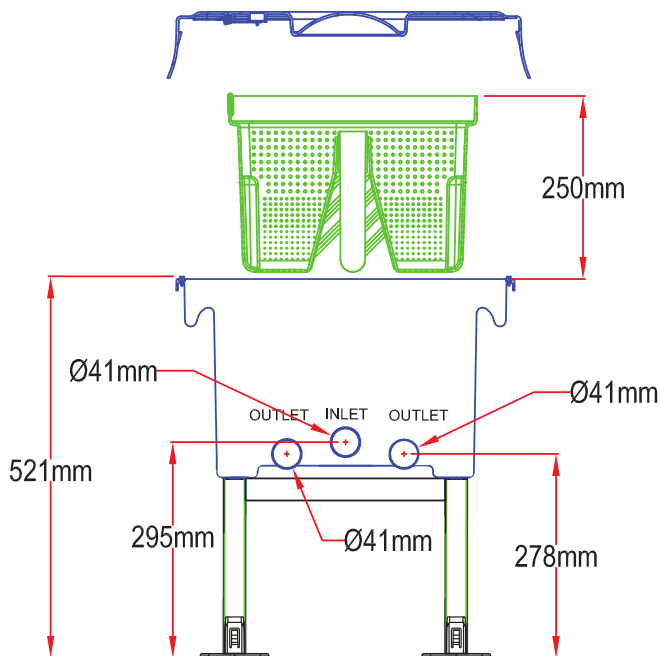
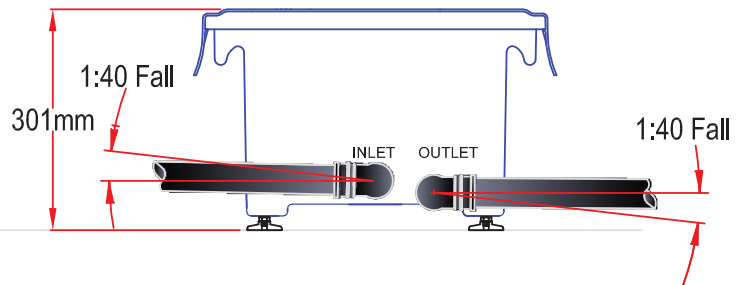
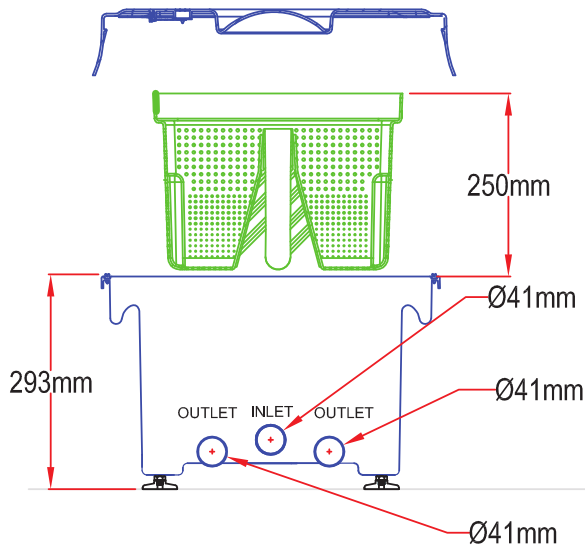
A NEAT AND TIDY SOLUTION!

Each filter basket can hold 15kg of solids waste and they are stackable to provide a solution for even the most demanding kitchen environment.

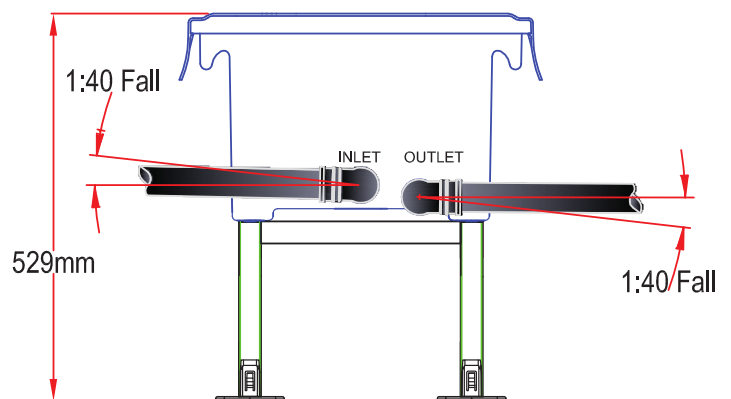
FilterShield Dimensions

Applications

- Meat/Fish/Sandwich Preparation sinks
- Potato peelers or rumblers
- Sinks used for the disposal of coffee grinds
- Pot sink and Pre Rinse Sink



Height required for
remove Filter Tray



Inlet pipe size: 41mm (outside diameter) Imperial 1½"; the recommended fall is 1:40.

Outlet pipe size: 41mm (outside diameter) Imperial 1½"; the recommended fall is 1:40.

Removal of Filter Tray: 250mm clearance is required from the top of the FilterShield and any obstructions, for example: top of the FilterShield and the underneath of a sink drainer.

Flow to the FilterShield: the FilterShield must be at least 40mm lower than the bottom of the sink bowl.