

# VA421A

## 6-Watt recessed ceiling mounting loudspeaker

VA421A ceiling loudspeakers are designed for flush fitting into suspended ceilings and are ideal for applications where an even distribution of sound is required such as open plan office, restaurants, etc.

For mounting on ceilings up to four metres high, they should be mounted on a grid pattern no more than 6 metres apart\*.

The VA423 is supplied with a ceramic terminal block with thermal fuse, fire-resistant linking wires, steel fire dome with two top and two side 20 mm cable gland entries and complies with the requirements of BS 5839-8:1998.

\* This assumes that the acoustic space is within the following parameters:-

- Average reverberation time across 500 Hz, 1 kHz and 2 kHz octave bands is not greater than 1.3 seconds
- Reference ambient noise level is less than 65 dBA
- Sound pressure level of voice messages is greater than 75 dBA Leq measured over a period of not less than 10 seconds

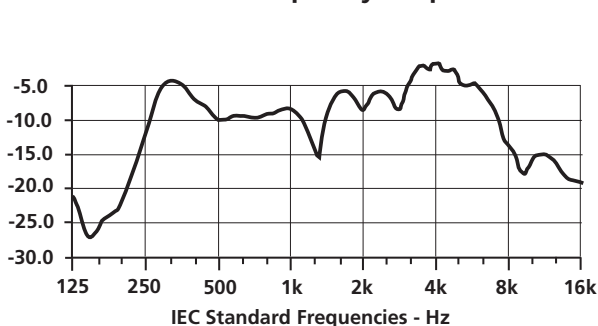


### Specification

Rated power (rms)	6 W
Power taps @ 100 V	6 / 4 / 2 / 1 / 0.5 W
SPL 1W/1m @ 1 kHz	93 dBA
Max SPL (max W/1m) @ 1 kHz	101 dBA
Room storage temperature range	-30 °C to +60 °C
Room operational temperature range	-5 °C to +5 °C
Power selection method	Transformer spade connector
Case material	Steel
Colour/finish	White (RAL 9016) and Red (RAL 3000)
Dimensions	Grille = 234 mm diameter, Dome = 127 mm high
IP rating	30
Net weight	1.2 kg
Mounting method	Sliding plate & spring clip grille
Terminal block (in and out terminals)	Ceramic (5 way), max. core size = 2.5 mm
102 °C thermal fuse	Yes

### Frequency response:

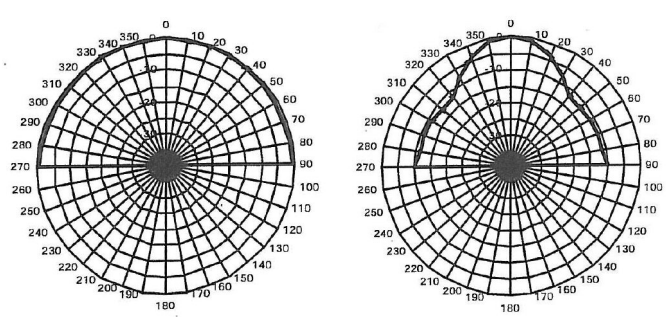
#### Wide-Band Frequency Response



### Polar plot:

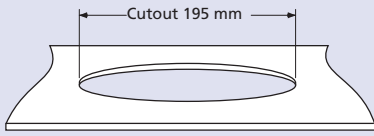
#### 1 kHz

#### 4 kHz

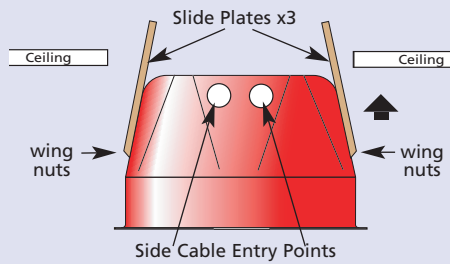


## Installation:

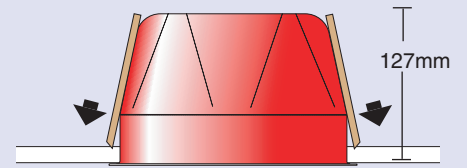
### STEP 1 Cut hole



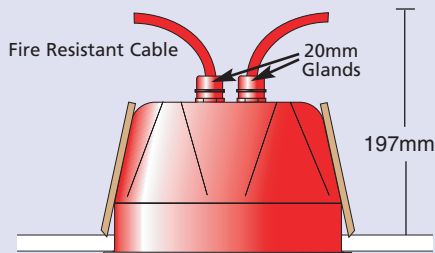
### STEP 2 Loosen internal wing nuts



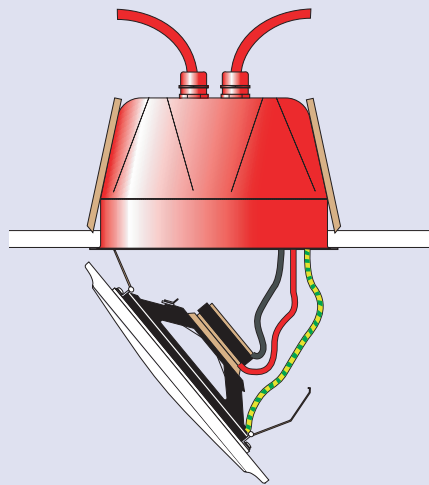
### STEP 3 Drop side wings & tighten wing nuts



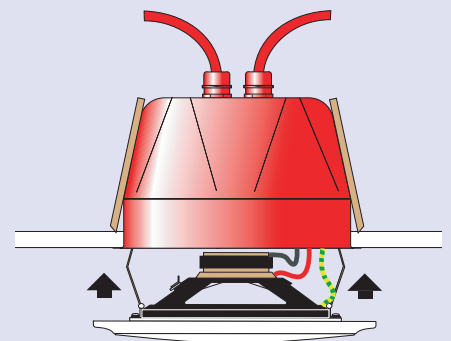
### STEP 4 Gland & connect cable



### STEP 5 Clip and connect loudspeaker grille

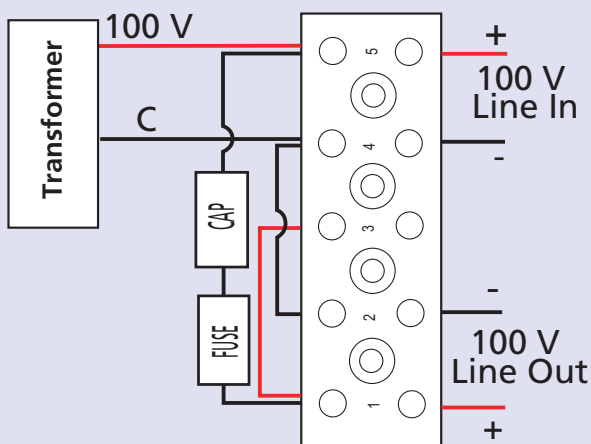


### STEP 6 Push grille into dome



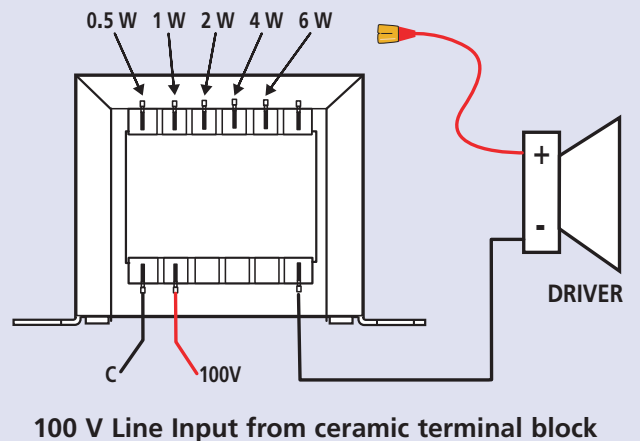
## Connections:

### Ceramic Terminal Block Wiring



## Tappings:

Note: It is important to set the loudspeaker at the correct tap for the application.



Note: For best performance, all loudspeakers must be connected in phase.