

VA422A

8-Watt metal wall mounting cabinet loudspeaker

Designed for applications where it is not possible to install recessed loudspeakers, the VA430 is ideal for surface mounting onto walls. In rooms up to four metres wide, they should normally be installed six metres apart at a height of 1.8 m to 2 m*.

In rooms up to nine metres wide, they should normally be installed on opposite walls in a staggered pattern (i.e. not directly facing each other)*.

The VA 422A is supplied with a ceramic terminal block with thermal fuse, two 20 mm top cable gland entries and complies with the requirements of BS 5839-8:1998.

* This assumes that the acoustic space is within the following parameters:-

- Average reverberation time across 500 Hz, 1 kHz and 2 kHz octave bands is not greater than 1.3 seconds
- Reference ambient noise level is less than 65 dBA
- Sound pressure level of voice messages is greater than 75 dBA Leq measured over a period of not less than 10 seconds

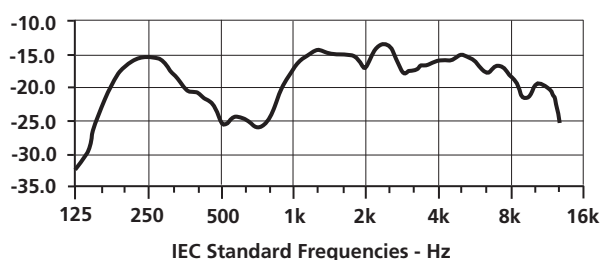


Specification

Rated power (rms)	8 W
Power taps @ 100 V	8 / 4 / 2 / 1 / 0.5 W
SPL 1W/1m @ 1 kHz	87 dBA
Max SPL (max W/1m) @ 1 kHz	95 dBA
Room storage temperature range	-30 °C to +60 °C
Room operational temperature range	-5 °C to +35 °C
Power selection method	Transformer spade connector
Case material	Steel
Colour/finish	Signal white (RAL9016)
Dimensions	134 mm (h) x 210 mm (w) x 75 mm (d)
IP rating	30
Net weight	1.2 kg
Mounting method	Screw wall bracket & screw fix cover
Terminal block (in and out terminals)	Ceramic (5 way). max. core size = 2.5 mm
102 °C thermal fuse	Yes

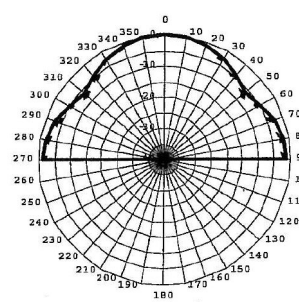
Frequency response:

Wide-Band Frequency Response

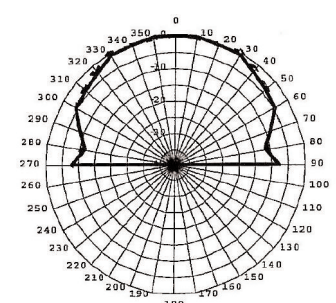


Polar plots:

1 kHz

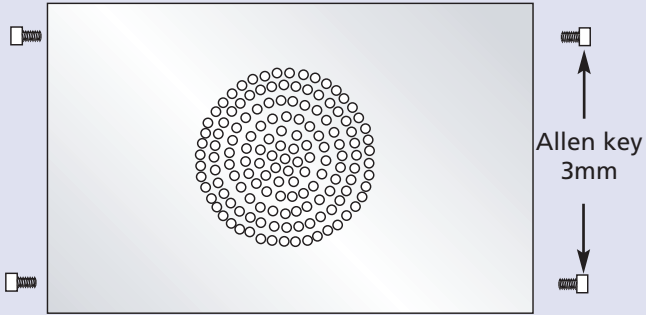


4 kHz

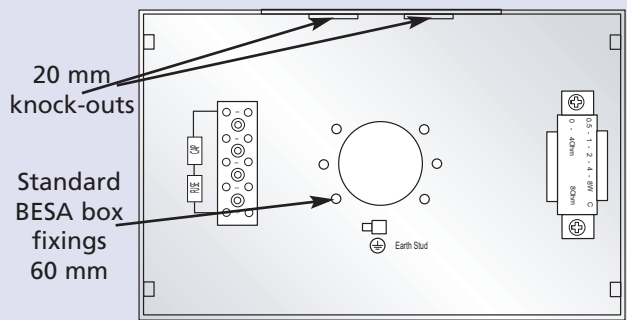


Installation:

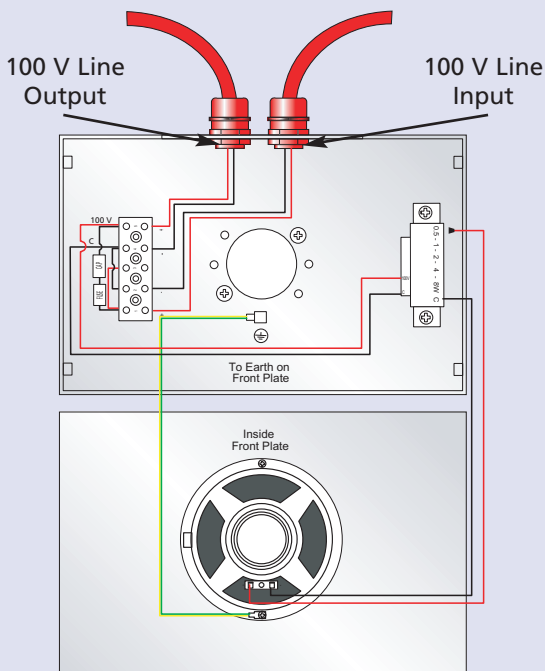
STEP 1 Remove cover



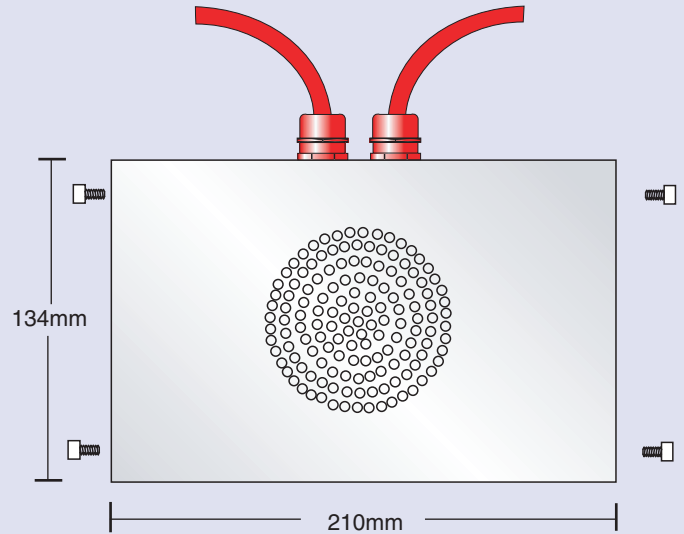
STEP 2 Fix to wall



STEP 3 Gland & connect cable

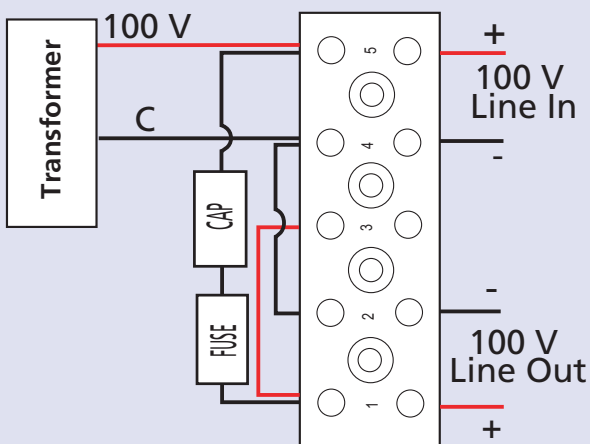


STEP 4 Fit cover



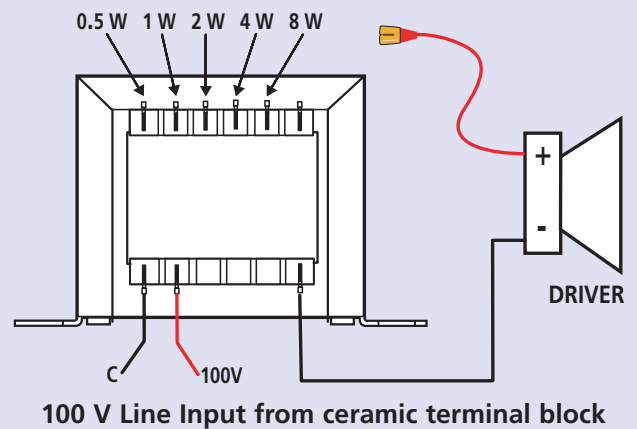
Connections:

Ceramic Terminal Block Wiring



Tappings:

Note: It is important to set the loudspeaker at the correct tap for the application.



Note: For best performance, all loudspeakers must be connected in phase.