

MAGNI

TELESCOPIC HANDLERS

RTH ATTACHMENTS



FORKS

HOOKS

JIBS

WINCHES

BUCKETS

CLAMPS

MAN PLATFORMS



THE TRADITION OF THE ATTACHMENT

The tradition of the attachment is deeply rooted in Magni Telescopic Handlers, where we know that it is the attachment that gives our machines a function, transforming them into a crane, a men platform, a forklift trucks or any other function that the customer requires.

QUALITY, VERSATILITY AND PROFESSIONALISM

QUALITY: Magni Telescopic Handlers applies on attachments the same quality standards that it applies in the production of its machines. In fact, we use only internationally renowned brands like Danfoss, Bosh Rexroth and Reggiana Riduttori and the most stringent checks used in the machines production line are also applied here.

VERSATILITY: At Magni Telescopic Handler we have created a production plant entirely dedicated to attachments which makes possible for us to be extremely reactive in analysing and proposing customized solutions required by our customers. For us "special " is the "standard".

PROFESSIONALISM: The experience acquired in over twenty years in both sector, machines and attachments, has enabled us to design and built a range of extremely modern attachments with technical solutions that we have protected by international patents.





RTH ATTACHMENTS

MAGNI
TELESCOPIC HANDLERS

FCF 5T

5 TON FEM FORK CARRIAGE

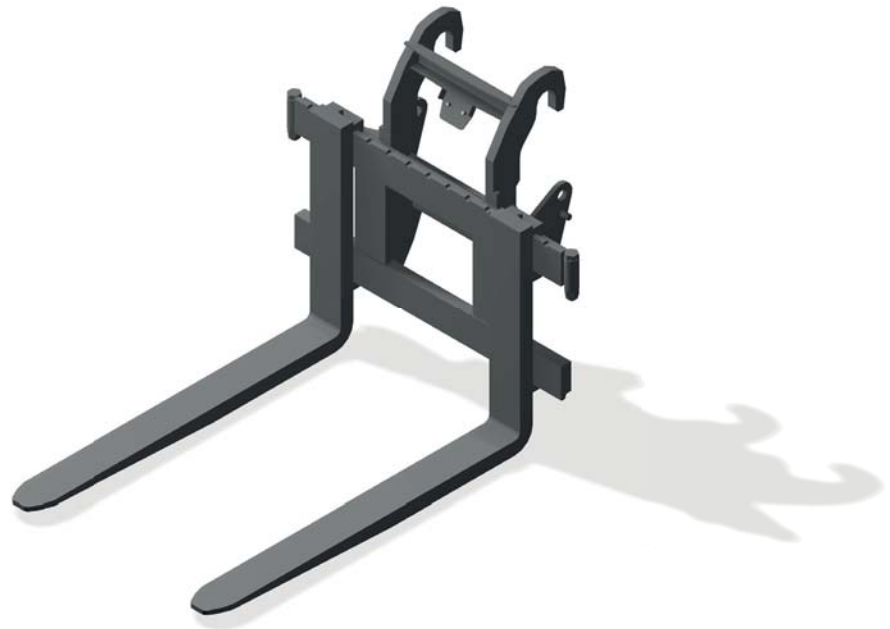
FEATURES

Capacity: 5.000 kg

Forks length: 1.200 mm

Forks width: 1.040 mm

Automatic attachments identification tag



FC 5T

5 TON FORK CARRIAGE WITH EYEBOLT

FEATURES

Capacity: 5.000 kg

Forks length: 1.200 mm

Forks width: 1.040 mm

Automatic attachments identification tag



FCF 5T

5 TON FEM FORK CARRIAGE WITH FORK POSITIONER

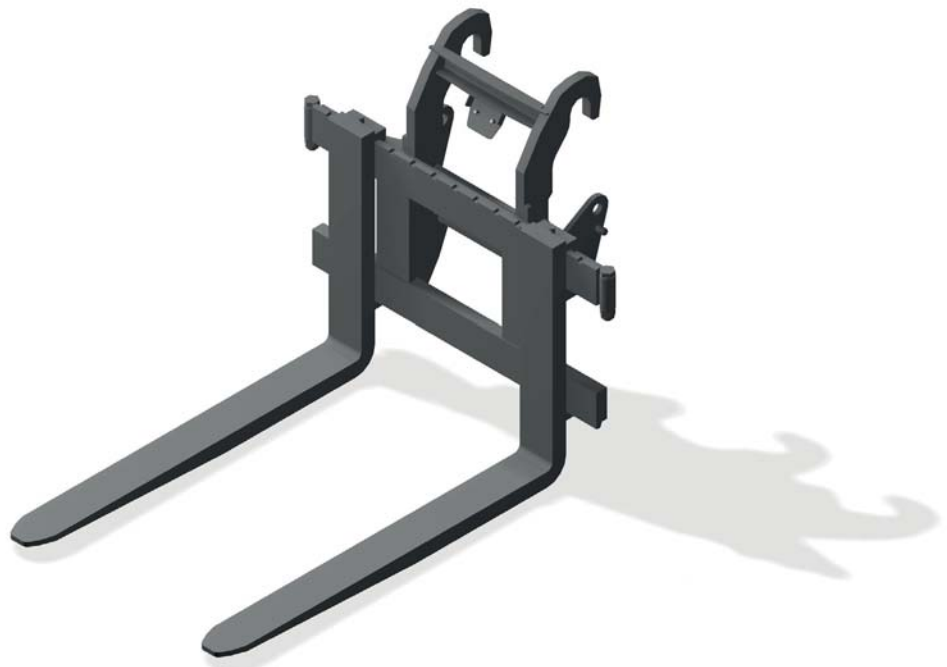
FEATURES

Capacity: 5.000 kg

Forks length: 1.200 mm

Forks width: 1.040 mm

Automatic attachments identification tag



H 5

5 TON HOOK

FEATURES

Capacity: 5.000 kg

length: 500 mm

Automatic attachments identification tag



H 6

6 TON HOOK

FEATURES

Capacity: 6.000 kg

length: 500 mm

Automatic attachments identification tag



J 600

JIB 600 KG

FEATURES

Capacity: 600 kg

length: 3.946 mm

Automatic attachments identification tag



J 2000

JIB 2.000 KG

FEATURES

Capacity: 2.000 kg

length: 2.823 mm

Automatic attachments identification tag



JT 2500

TELESCOPIC JIB

FEATURES

Capacity: 2.500 (retracted)

1.500 (extended) kg

Length: 1.790 mm (retracted)

2.690 mm (extended)

Telescope stroke: 1.170 mm

Automatic attachments identification tag



JW 800

JIB WINCH 800

FEATURES

Capacity: 800 kg

Length: 7.056 mm

Cable: Diameter: 10 mm

Length: 40 m (direct pull)

Arranged on three layers

Motor: Danfoss orbital type

Reduction gear: Planetary type with negative multidisc brake in oil bath

Drum: Threaded with cable-pressing roller

Cable ascent\descent: 52 m/min

Hydraulic ascent and descent limit stops

Automatic attachments identification tag



The cable-pressing roller, consisting of a single piece, prevents wear of the cable and lengthens their life.



JW 1500

JIB WINCH 1.500

FEATURES

Capacity: 1.500 kg

Length: 2.330 mm

Cable: Diameter: 10 mm
Length: 40 m (direct pull)
Arranged on three layers

Motor: Danfoss orbital type

Reduction gear: Planetary type with negative multidisc brake in oil bath

Drum: Threaded with cable-pressing roller

Cable ascent\descent: 52 m/min

Hydraulic ascent and descent limit stops

Automatic attachments identification tag



The cable-pressing roller, consisting of a single piece, prevents wear of the cable and lengthens their life.



JW 2000

JIB WINCH 2.000

FEATURES

Capacity: 2.000 kg

Length: 2.160 mm

Cable: Diameter 10 mm
Length 48 m (double pull)
Arranged in three layers

Motor: Danfoss orbital type

Reduction gear: Planetary type with negative multidisc brake in oil bath

Drum: Threaded with cable-pressing roller

Cable ascent\descent: 26 m/min

Hydraulic ascent and descent limit stops

Automatic attachments identification tag



The cable-pressing roller, consisting of a single piece, prevents wear of the cable and lengthens their life.



W 3,5

WINCH 3,5 TON

FEATURES

Capacity: 3.500 kg

Cable: Diameter 10 mm
Length: 50 m (double pull)
Arranged in three layers

Motor: Danfoss orbital type

Reduction gear: Planetary type with negative multi disc brake in oil bath

Drum: Threaded with cable-pressing roller

Built-in cable guide system

Cable ascent\descent: 26 m/min

Hydraulic ascent and descent limit stops

Automatic accessory identification tag



W 5

WINCH 5 TON

FEATURES

Capacity: 5.000 kg

Cable: Diameter 12 mm
Length: 58 m (double pull)
Arranged in three layers

Motor: Danfoss orbital type

Reduction gear: Planetary type with negative multi disc brake in oil bath

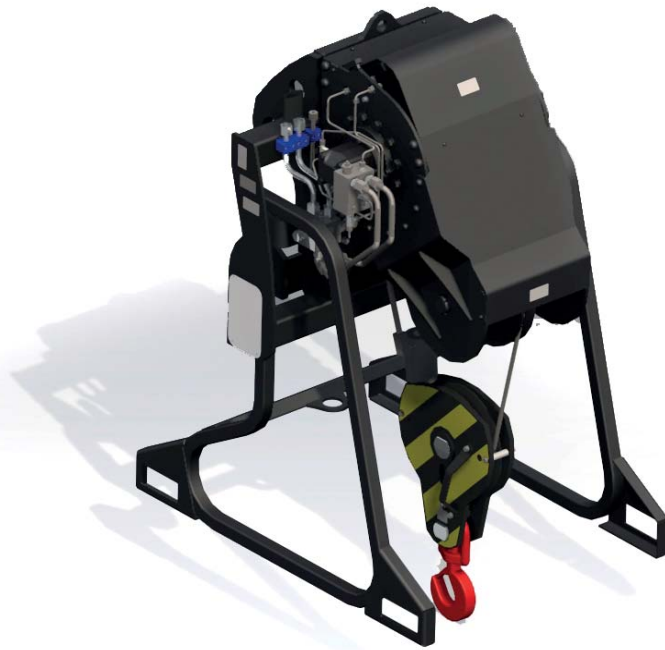
Drum: Threaded with cable-pressing roller

Built-in cable guide system

Cable ascent\descent: 18 m/min

Hydraulic ascent and descent limit stops

Automatic accessory identification tag



W 6

WINCH 6 TON

FEATURES

Capacity: 6.000 kg

Cable: Diameter 12 mm
Length: 58 m (double pull)
Arranged in three layers

Motor: Danfoss orbital type

Reduction gear: Planetary type with negative multi disc brake in oil bath

Drum: Threaded with cable-pressing roller

Built-in cable guide system

Cable ascent\descent: 18 m/min

Hydraulic ascent and descent limit stops

Automatic accessory identification tag



WB 6

WINCH 6 T ON LOWER END OF BOOM

FEATURES

Capacity: 6.000 kg

Cable: Diameter 10 mm
Length: 95 m (direct pull up to 3 ton/
double pull from 3 ton up to 6 ton)
Arranged in three layers

Motor: Danfoss orbital type

Reduction gear: Planetary type with negative multi disc brake in oil bath

Drum: Threaded with cable-pressing roller

Built-in cable guide system

Cable ascent\descent: 18 m/min

Hydraulic ascent and descent limit stops

Automatic accessory identification tag



CB 1000

CONSTRUCTION BUCKET

FEATURES

Rated capacity: 1.021 l

Level capacity: 806 l

bucket width: 2.450 mm

Automatic attachment identification tag



BIM 2000

BIM BUCKET

FEATURES

Rated capacity: 2.050 l

Level capacity: 1.505 l

bucket width: 2.412 mm

Automatic attachment identification tag



RC 4T

RIB CLAMP

FEATURES

Capacity: 4.000kg

Clamp tilting: 46°

Clamp rotation: +/- 65° (manual)

Adjustable clamp to fit to the rib dimensions

Automatic attachments identification tag



REP 2-4,5

ROTATING EXTENDABLE MEN PLATFORM 500KG

FEATURES

- Maximum capacity: 500 kg
- Extension: 2.350 mm to 4.530 mm
- Rotation: Antshock +/- 90°
- Maximum number of persons: 3
- Patented extension system
- Automatic attachment identification tag



Our pushbutton panel is designed to reproduce all the functions, including the display of the load control system present in the cab, while at the same time maintaining utmost compactness. If disconnected, it becomes a radio control.

Our rack system completely eliminates the plays in rotation thereby removing the undesirable and hazardous shocks in rotation stop.

REP 10.2-4,7

ROTATING EXTENDABLE MEN PLATFORM 1000KG

FEATURES

- Maximum capacity: 1.000 kg
- Extension: 2.384 mm to 4.685 mm
- Rotation: Antshock +/- 90°
- Maximum number of persons: 3
- Patented extension system
- Automatic attachments identification tag



Our pushbutton panel is designed to reproduce all the functions, including the display of the load control system present in the cab, while at the same time maintaining utmost compactness. If disconnected, it becomes a radio control.

Our rack system completely eliminates the plays in rotation thereby removing the undesirable and hazardous shocks in rotation stop.

REP 2-6,5

ROTATING EXTENDABLE MEN PLATFORM 500KG - 6,5 M

FEATURES

- Maximum capacity: 500 kg
- Extension: 2.400 mm to 6.430 mm
- Rotation: Antshock +/- 90°
- Maximum number of persons: 3
- Patented extension system
- Automatic attachment identification tag



Our pushbutton panel is designed to reproduce all the functions, including the display of the load control system present in the cab, while at the same time maintaining utmost compactness. If disconnected, it becomes a radio control.

Our rack system completely eliminates the plays in rotation thereby removing the undesirable and hazardous shocks in rotation stop.

REP 2-6,5 W0,3

PLATFORM 6,5M 500KG WITH WINCH 300KG

FEATURES

- Maximum capacity: 500 kg
- Extension: 2.420 mm to 6.530 mm
- Rotation: Antshock +/- 90°
- Maximum number of persons: 3
- Patented extension system
- 300 kg capacity hydraulic winch equipped on platform (rotation: +/-90° manual), length: 2.015 mm, tilting from 0° to 64°
- Automatic attachment identification tag



Our pushbutton panel is designed to reproduce all the functions, including the display of the load control system present in the cab, while at the same time maintaining utmost compactness. If disconnected, it becomes a radio control.

Our rack system completely eliminates the plays in rotation thereby removing the undesirable and hazardous shocks in rotation stop.

REP 8.2-4,7 W0,3

PLATFORM 4,7M 800KG WITH WINCH 300KG

FEATURES

Maximum capacity: 800 kg

Extension: 2.394 mm to 4.685 mm

Rotation: Antshock +/- 90°

Maximum number of persons: 3

Patented extension system

300 kg capacity hydraulic winch equipped on platform

(rotation: +/-90° manual), length: 2.015 mm, tilting from 0° to 64°

Automatic attachment identification tag



Our pushbutton panel is designed to reproduce all the functions, including the display of the load control system present in the cab, while at the same time maintaining utmost compactness. If disconnected, it becomes a radio control.

Our rack system completely eliminates the plays in rotation thereby removing the undesirable and hazardous shocks in rotation stop.

TP

TELESCOPIC PIVOTING MEN PLATFORM WITH 180° ROTATION

FEATURES

Men platform with boom that can be hydraulically extended which, from a closed position of 4.900 mm allows operability in the horizontal direction up to 6.700 mm. The boom is also equipped with rotation which makes possible to rotate the platform through +/- 90°. The attachment can be hydraulically extended and increase its operability of 7.250 mm from the boom head.

Capacity: 300 Kg

Max. No. Of persons: 2

Platform dimensions: 1.000 x 2.500 mm

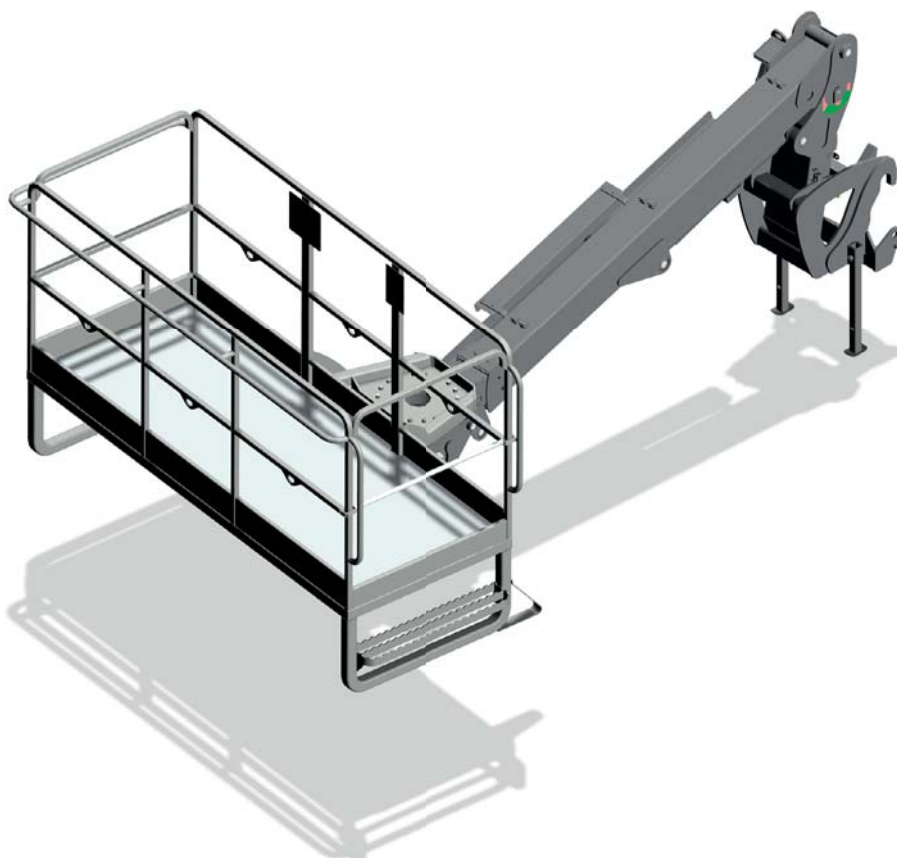
Horizontal extension: from 4.900 mm (closed) to 6.700 mm (extended)

Vertical extension: from 5.650 mm (closed) up to 7.250 mm (extended) from the boom head

Telescope stroke: 1.630 mm

Rotation: +/- 90°hydraulic

Automatic attachments identification tag



TP O-U

TELESCOPIC PIVOTING MEN PLATFORM OVER-UNDER WITH 340° ROTATION

FEATURES

Men platform with boom that can be hydraulically extended which, from a closed position of 5.460 mm allows operability in the horizontal direction up to 7.500 mm. The boom is also equipped with rotation which makes possible to rotate the platform through 340°. The attachment can be hooked in two positions: positive (increases the machine working height up to 8.670 mm); negative (allows to work in negative up to 8.300 mm).

Capacity: 200 kg

Max. No. of persons: 2

Platform dimensions:

800 mm x 1.200 (extended)

Hydraulic rotation through 340°

Telescope stroke: 1.800 mm

Sensor for detection of the position of the boom

Automatic attachments identification tag"



TP 2.10

TELESCOPIC PLATFORM TP 2.10

FEATURES

Capacity: 200 kg

Max. No. of persons: 2

Platform dimensions:

1.400x670 mm

Horizontal extension: from 6.430 mm (closed) to 10.200 mm (opened)

Vertical extension: from 6.440 mm (closed) up to 9.770 mm (extended) from the boom head

Telescope stroke: 3.336 mm

Rotation: +/- 90°hydraulic

Automatic attachments identification tag



CRP 5

TUNNEL PLATFORM 500KG

FEATURES

Capacity: 500 kg

Max. No. Of persons: 3

Platform dimensions: 1.810x1.006 mm

Step out of protection grid: 300mm

Rotation: Anti-shock +/- 90° hydraulic

Automatic attachments identification tag



Our pushbutton panel is designed to reproduce all the functions, including the display of the load control system present in the cab, while at the same time maintaining utmost compactness. If disconnected, it becomes a radio control.

Our rack system completely eliminates the plays in rotation thereby removing the undesirable and hazardous shocks in rotation stop.

RC

REMOTE CONTROL AND PLATFORM CONTROL

FEATURES

Remote Control and platform control equipped with 2 electroproportional joystick that reproduces the cabin controls



RCS

REMOTE CONTROL FOR HYDRAULIC MOVEMENTS, OUTRIGGERS AND TRANSMISSION

FEATURES

Remote Control and platform control equipped with 2 electroproportional joystick that reproduces the cabin controls; moreover with this device is possible to manage outriggers and transmission up to 5 km/h.







Magni Telescopic Handlers srl

Via Magellano, 22 - 41013 Castelfranco Emilia, Modena, Italia

Tel: +39 059 8630811 - Fax: +39 059 8638012

commerciale@magnith.com - www.magnith.com