

THE BATH MAKERS

bc designs

JULY 2018



T H E B A T H M A K E R S

bcdesigns

01



Discover your perfect bath

Welcome to the BC Designs July 2018 brochure! Once again we have widened our range of baths, brassware and mirrors to inspire and enhance your bathroom space.

There are exciting new styles in our Roll Top bath range, including the show-stopping Copper Boat Bath (Page 6-7). We have launched our Projekt range of tubs (Page 44-49) which are cast in our unique Cian® material and are perfect for contracts and smaller spaces. Our new Damana 3-Touch mirror (Page 80) is an absolute must have and has everything you need at the touch of a button.

From modern lines to classic styles we hope you enjoy!

01

The classic

ROLL TOP BATH

Page 04

02

Solid Surface

CIAN® CAST BATH

Page 22

03

Contemporary

ACRYMITE® BATH

Page 52

04



05

"Our focus is on timeless, authentic design that holds its own in the bathroom market"

Barrie Cutchie
Design Director

04

Complete the look

BRASSWARE

Page 66

05

Upon reflection

DAMANA MIRROR

Page 80

THE CLASSIC

Roll Top



01

At BC Designs we know and love classic design and materials but also appreciate the value of modern techniques. Each traditional acrylic roll top bath reproduction is crafted with the original in mind but in modern materials for comfort and ease of installation. Bespoke colours are hand painted in our workshop to create a finish that is authentic and individual. Our new range of copper baths are made in the traditional handcrafted manner used for centuries and plated in our exciting choice of finishes.



Colour shown: Brassica 271 by Farrow & Ball. Design by Ocean Bathrooms.

Copper Boat

A new original design by Barrie Cutchie, available in four finish combinations.

Our Copper Boat Baths are made in the traditional hand crafted manner used for centuries, and therefore there will be gentle undulations and some colour variation in the finish so every bath is unique to you. Copper Baths are excellent heat conductors and will maintain the water temperature much longer than Cast Iron versions. Even after the bath has been emptied it will remain warm to the touch.



Prices

1500mm

Copper

£ 2,999.00 *Exc. VAT*

£ 3,598.80 *Inc. VAT*

Code BAC045

Copper/Nickel

£ 3,100.00 *Exc. VAT*

£ 3,720.00 *Inc. VAT*

Code BAC015

Nickel

£ 3,100.00 *Exc. VAT*

£ 3,720.00 *Inc. VAT*

Code BAC025

Tin

£ 3,200.00 *Exc. VAT*

£ 3,840.00 *Inc. VAT*

Code BAC035

1700mm

Copper

£ 3,600.00 *Exc. VAT*

£ 4,320.00 *Inc. VAT*

Code BAC040

Copper/Nickel

£ 3,650.00 *Exc. VAT*

£ 4,380.00 *Inc. VAT*

Code BAC010

Nickel

£ 3,850.00 *Exc. VAT*

£ 4,620.00 *Inc. VAT*

Code BAC020

Tin

£ 3,600.00 *Exc. VAT*

£ 4,320.00 *Inc. VAT*

Code BAC030



Specifications

Material	Copper
Finish	Available in four unique finishes
Mount Type	Floor
Waste	Not included

1500mm*

Height	700mm*
Width	700mm*
Capacity	180 ltrs
Void	110mm
Dry Weight	44 Kg

1700mm*

Height	700mm*
Width	725mm*
Capacity	190 ltrs
Void	110mm
Dry Weight	50 Kg

Contact us to find out more

Waste supplied separately.
For information on compatible bath wastes please refer to our website or email us at sales@bcdesigns.co.uk

www.bcdesigns.co.uk

Note

*All dimensions are approximate due to manufacturing tolerances.

Important

Copper

Our Copper baths have a hand polished finish, so there will be undulations and imperfections in the surface. This is part of the character of the baths and should be expected before ordering.

The copper will start to age over time and gain its own particular patina. Cleaning should only be done with a very mild soap solution and a soft cloth. De-scaling liquids such as Cillit Bang, Viakal etc should never be used.

Tin

Tin is applied by smoothing melted tin over the surface of the copper using a moleskin-type cloth. Tin has been used as a surface over many years and has proved to be durable and full of character.

Polished Nickel

The Polished Nickel finish is electroplated on the bath giving a beautiful shiny finish which will develop its own character over time.



Finish shown: Copper outer/copper inner

CLASSIC ROLL TOP

The Boat Bath

Double-skinned acrylic boat bath

A BC Designs classic with a deep, luxurious bathing space. Available in three sizes the Acrylic Boat Bath comes in gloss white or is ready to be painted in your choice of colour.

Price

1580 x 750mm	1700 x 750mm	1800 x 800mm
£ 1,174.17 <i>Exc. VAT</i>	£ 1,215.83 <i>Exc. VAT</i>	£ 1,257.50 <i>Exc. VAT</i>
£ 1,409.00 <i>Inc. VAT</i>	£ 1,459.00 <i>Inc. VAT</i>	£ 1,509.00 <i>Inc. VAT</i>
Code BAS063	Code BAS065	Code BAS070

Compatible wastes

See page 78 for alternative finishes.

Plug & chain (with stowaway) concealed

£ 29.75 *Exc. VAT*
 £ 35.70 *Inc. VAT*
 Code WAS020

Plug & chain (with stowaway) exposed

£ 114.63 *Exc. VAT*
 £ 137.56 *Inc. VAT*
 Code WAS030

Push down concealed

£ 104.13 *Exc. VAT*
 £ 124.96 *Inc. VAT*
 Code WAS040

Push down exposed

£ 156.63 *Exc. VAT*
 £ 187.96 *Inc. VAT*
 Code WAS050

Make it your colour

See page 20 for details.



We can paint this bath for you.

Choose your paint, such as Little Greene Paint Company or Farrow & Ball, to suit your decor. Please allow 14 working days for delivery depending on paint availability.

Paint service

£ 299.00 *Exc. VAT*
 £ 358.80 *Inc. VAT*
 Code BAZ901

Specifications

Material	Acrylic
Finish	Gloss white
Mount Type	Floor
Waste	Not included

1580mm* bath

Height	646mm*
Width	750mm*
Capacity	180 ltrs
Void	120mm
Dry Weight	40 Kg

1700mm* bath

Height	710mm*
Width	750mm*
Capacity	190 ltrs
Void	165mm
Dry Weight	42 Kg

1800mm* bath

Height	710mm*
Width	800mm*
Capacity	220 ltrs
Void	165
Dry Weight	46 Kg

Note

*All dimensions are approximate due to manufacturing tolerances.

Project by Ripples Bathrooms.



CLASSIC ROLL TOP

The Boat Bath

Aluminium plinth

A classic Boat bath with an acrylic inner and outer and NEW solid cast aluminium plinth. The bath is available in gloss white as standard but can also be painted to order.

Price

£ 1,665.83 *Exc. VAT*

£ 1,999.00 *Inc. VAT*

Code BAS765

Compatible wastes

See page 78 for alternative finishes.

Plug & chain (with stowaway)
concealed

£ 29.75 *Exc. VAT*

£ 35.70 *Inc. VAT*

Code WAS020

Push down concealed

£ 104.13 *Exc. VAT*

£ 124.96 *Inc. VAT*

Code WAS040

Make it your colour

See page 20 for details.

We can paint this bath for you.

Choose your paint, such as Little Greene Paint Company or Farrow & Ball, to suit your decor. Please allow 14 working days for delivery depending on paint availability.



Paint service

£ 299.00 *Exc. VAT*

£ 358.80 *Inc. VAT*

Code BAZ901

Specifications

Material	Acrylic/aluminium
Height	710mm*
Length	1700mm*
Width	750mm*
Capacity	190 ltrs
Void	170mm
Dry Weight	55 Kg
Finish	Gloss white inner/outer aluminium plinth
Mount Type	Floor
Waste	Not included

Important

Each aluminium plinth is individually hand polished to bring the natural material up to shine. Due to the nature of the material there will be slight imperfections and some pinholes in the plinths which make them unique and add to the character of the bath.

Note

*All dimensions are approximate due to manufacturing tolerances.

NEW

10

10 YEAR GUARANTEE



Colour shown: RAL5014 (Pigeon Blue). Shown with Victrion crosshead bath shower mixer with floor-standing legs. See page 78.

Excelsior

Acrylic bath with polished plinth

The Acrylic Excelsior is a grand statement bath with a cast, polished aluminium plinth. It's acrylic body retains heat and feels luxurious to bathe in.

Price

£ 1,665.83 *Exc. VAT*

£ 1,999.00 *Inc. VAT*

Code BAR015

Compatible wastes

See page 78 for alternative finishes.

Plug & chain (with stowaway) concealed

£ 29.75 *Exc. VAT*

£ 35.70 *Inc. VAT*

Code WAS020

Push down concealed

£ 104.13 *Exc. VAT*

£ 124.96 *Inc. VAT*

Code WAS040

Make it your colour

See page 20 for details.

We can paint this bath for you.

Choose your paint, such as Little Greene Paint Company or Farrow & Ball, to suit your decor. Please allow 14 working days for delivery depending on paint availability.



Paint service

£ 299.00 *Exc. VAT*

£ 358.80 *Inc. VAT*

Code BAZ901

Specifications

Material	Acrylic
Height	685mm*
Length	1780mm*
Width	760mm*
Capacity	190 ltrs
Dry Weight	120 Kg
Finish	Gloss white/polished aluminium plinth
Mount Type	Floor
Waste	Not included

Important

1. When a trap is fitted to this bath, it will protrude below the floor level. Therefore, a small floor recess will have to be made to allow for that.
2. There is a mouse hole at the rear of the plinth for waste pipe exit and overflow as standard. If the waste pipe work exits under floor, we can supply with just a hole for the overflow pipe. If required please state when ordering.
3. The provenance of this product is reproducing the "reclaimed" look of authenticity. The plinth is hand polished. There will be small pin holes, dimples and colour variations due to that process, and these should be viewed in this light.

Note

*All dimensions are approximate due to manufacturing tolerances.



CLASSIC ROLL TOP

Elmstead

Acrylic double ended roll top bath

Our Elmstead bath is a new addition to our roll top range of baths and is an instant classic. Not only can you choose from two sizes and two sets of feet but the Elmstead is ready to paint in your choice of colour too!

Price

1500mm

Feet set 1 with overflow

£ 969.73 *Exc. VAT*

£ 1,163.68 *Inc. VAT*

Code BAU035

Feet set 2 with overflow

£ 969.73 *Exc. VAT*

£ 1,163.68 *Inc. VAT*

Code BAU045

1700mm

Feet set 1 with overflow

£ 1,014.56 *Exc. VAT*

£ 1,217.47 *Inc. VAT*

Code BAU037

Feet set 2 with overflow

£ 1,014.56 *Exc. VAT*

£ 1,217.47 *Inc. VAT*

Code BAU047

Compatible wastes

See page 78 for alternative finishes.

Plug & chain exposed

Chrome

£ 114.63 *Exc. VAT*

£ 137.56 *Inc. VAT*

Code WAS030

Make it your colour only

See page 20 for details.



**This bath comes painted

Choose your paint, such as Little Greene Paint Company or Farrow & Ball, to suit your decor. Please allow 14 working days for delivery depending on paint availability.



Feet set 1



Feet set 2

Specifications

Material	Acrylic
Height	650mm
Width	745mm
Finish	Painted only**
Mount Type	Floor
Waste	Not included

1500mm bath, feet set 1 & 2

Length	1500mm
Dry Weight	43 Kg
Capacity	185 ltrs

1700mm bath, feet set 1 & 2

Length	1700mm
Dry Weight	45.8 Kg
Capacity	200 ltrs

Important

Please note that this bath is **ONLY AVAILABLE PAINTED**. Gloss white versions are available through our sister company Bayswater Bathrooms. The cost of painting is included in the price of the bath.

Note

*All dimensions are approximate due to manufacturing tolerances.



Colour shown: Plummett 272 by Farrow & Ball. Shown with Victrion crosshead three-hole bath filler. See page 69.



CLASSIC ROLL TOP

Mistley

Acrylic single ended roll top bath

The Mistley Bath is an elegant new addition to the Roll Top range. Deep and luxurious, it is available in two sizes, with two sets of feet and is painted in your choice of shade.



Feet set 1



Feet set 2

Price

Feet set 1

£ 1,003.65 *Exc. VAT*

£ 1,204.38 *Inc. VAT*
Code BAU057

Feet set 2

£ 1,003.65 *Exc. VAT*

£ 1,204.38 *Inc. VAT*
Code BAU067

Compatible wastes

See page 78 for alternative finishes.

Plug & chain exposed

Chrome

£ 114.63 *Exc. VAT*

£ 137.56 *Inc. VAT*
Code WAS030

Make it your colour only

See page 20 for details.



**This bath comes painted

Choose your paint, such as Little Greene Paint Company or Farrow & Ball, to suit your decor. Please allow 14 working days for delivery depending on paint availability.

Specifications

Material	Acrylic
Height	635mm*
Length	1700mm*
Width	750mm*
Capacity	200 ltrs
Dry Weight	47.5 Kg
Finish	Painted only**
Mount Type	Floor
Waste	Not included

Important

Please note that this bath is **ONLY AVAILABLE PAINTED**. Gloss white versions are available through our sister company Bayswater Bathrooms. The cost of painting is included in the price of the bath.

Note

*All dimensions are approximate due to manufacturing tolerances.



Colour shown: Elephant's Breath 229 by Farrow & Ball. Shown with Victrola lever bath shower mixer with free-standing legs. See page 71.



CLASSIC ROLL TOP

Fordham

Acrylic slipper bath

The Fordham bath is a beautiful, traditional slipper bath with an elegant silhouette, available in two sizes and in your choice of colour.



Feet set 1



Feet set 2

Price

1500mm

Feet set 1 with overflow

£ 1,042.47 *Exc. VAT*

£ 1,250.96 *Inc. VAT*

Code BAU015

Feet set 2 with overflow

£ 1,042.47 *Exc. VAT*

£ 1,250.96 *Inc. VAT*

Code BAU025

1700mm

Feet set 1 with overflow

£ 1,021.34 *Exc. VAT*

£ 1,225.61 *Inc. VAT*

Code BAU017

Feet set 2 with overflow

£ 1,021.34 *Exc. VAT*

£ 1,225.61 *Inc. VAT*

Code BAU027

Specifications

Material	Acrylic
Finish	Painted only**
Width	730mm*
Mount Type	Floor
Waste	Not included

1500mm bath

Height	770/625mm*
Dry Weight	46 Kg
Capacity	155 ltrs

1700mm bath

Height	770/625mm*
Dry Weight	49.6 Kg
Capacity	197 ltrs

Compatible wastes

See page 78 for alternative finishes.

Plug & chain exposed

Chrome

£ 114.63 *Exc. VAT*

£ 137.56 *Inc. VAT*

Code WAS030

Make it your colour

See page 20 for details.



**This bath comes painted

Choose your paint, such as Little Greene Paint Company or Farrow & Ball, to suit your decor. Please allow 14 working days for delivery depending on paint availability.

Important

Please note that this bath is **ONLY AVAILABLE PAINTED**. Gloss white versions are available through our sister company Bayswater Bathrooms. The cost of painting is included in the price of the bath.

Note

*All dimensions are approximate due to manufacturing tolerances.



Colour shown: Stiffkey Blue by Farrow & Ball. Shown with Victrion lever bath shower mixer with adjustable shrouds. See page 71.



CLASSIC ROLL TOP

Add a splash of

Colour

For those who like something a little bit different, we offer a bespoke bath painting service on our roll top baths. Choose your own paint colour to match your scheme from manufacturers such as Farrow & Ball, Little Greene and Mylands Paint.

Whichever paint you choose it must be available in an Exterior Eggshell finish and fit for purpose. In addition to these paint ranges, we can also paint your bath in a choice of RAL Classic colours or British Standard colours. We also have a digital scanning service for colour matching. Please contact us to check the suitability on any of the above.

Please allow 14 working days for delivery of your painted bath.

Price

£ 299.00 *Exc. VAT*

£ 358.80 *Inc. VAT*

Code BAZ901



Project by Ripples Bathrooms.



FARROW & BALL
CRAFTSMEN IN PAINT AND PAPER

MYLANDS
ESTABLISHED LONDON 1884

Little Greene
— PAINT & PAPER 1275 —

Popular colours



White Tie



Aged Ivory



Air Force Blue



Ammonite



Angie



Dark Lead



Yellow Cake



Boxington



Atomic Red



Vardo



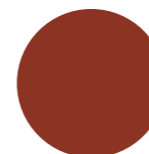
Carys



Chimney Brick



Calamine



Drummond



Deep Space Blue



Deep Cloth



Mizzle



Arsenic

All of our roll top baths are painted to order in our workshop in Colchester, Essex.

- Our in house specialist will key the bath first and then coat it with a water based primer/sealer. Using a roller the bath is then painted with 3 or more coats of the chosen colour.
- We use an Exterior Eggshell paint which has a 20% sheen finish.
- The paint is durable, eco-friendly and has a breathable finish.
- Resistant to flaking, peeling and colour fade for up to 6 years (providing care instructions for the surface are followed).
- Water and fungal resistant.
- Washable and wipeable.
- The bath will go through several processes, being quality checked all the way so we can ensure a perfect finish.

Note

Full colour swatches can be ordered directly from the Farrow & Ball or Little Greene Paint Company websites. RAL colours also available.

SOLID SURFACE

Cian[®] Cast

— 0 —

02

Our exclusive Cian[®] material is a first in its class and is manufactured from the highest quality raw materials. It is highly durable, stain resistant, non-porous, scratch resistant and retains heat for the perfect long soak. Due to its unique properties it allows BC Designs to create classic as well as cutting edge shapes that are wonderful to bathe in.



Shown: The Casini Bath

The benefits?

Why choose a Cian® cast BC Designs bath?



Durability

Cian® Solid Surfacing will withstand the rigors of everyday exposure.

Overflow

Unlike many free-standing baths on the market, most of our Cian® baths are available with overflows to meet build regulations and to give piece of mind. Please always check the specifications before ordering.

Non-porous

Unaffected by fluctuating moisture ingress and humidity, Cian® Solid Surfacing is for all practical purposes. 100% non-porous.

Polished finish

Our material does not have a deceptive gel coat and is hand polished for a luxurious shiny finish. A few of our models are also available in a silk matt finish.

Thermal shock

Cian® Solid Surfacing complies with Din 198 thermal shock standards.

Made in South Africa

All of our Cian® solid surface baths are manufactured in our exclusive factory in Cape Town, South Africa. We use the best and most meticulous techniques to create a material that is free from imperfections and polished to a premium finish.

Easy maintenance

A daily wipe using a non-abrasive cleaning agent will keep the surface clean. It is resistant to deterioration and minor damages can be polished or repaired.

Bampton

Inspired by the early 20th century fire clay baths, Bampton is made from our unique Cian® material for better durability and heat-retention. It has a very large bathing area, due to the thin rim achieved in this single casting, yet is a space saver at only 1555mm long. The Bampton comes in a hand polished finish.

Price

£ 2,291.67 *Exc. VAT*

£2,750.00 *Inc. VAT*

Code BAB032

Compatible wastes

See page 78 for alternative finishes.

Plug & chain (with stowaway) exposed

£ 114.63 *Exc. VAT*

£ 137.56 *Inc. VAT*

Code WAS030

Push down exposed

£ 156.63 *Exc. VAT*

£ 187.96 *Inc. VAT*

Code WAS050

Bampton basin

£ 395.00 *Exc. VAT*

£ 474.00 *Inc. VAT*

Code BAB130

Push down waste for basin

£ 41.13 *Exc. VAT*

£ 49.36 *Inc. VAT*

Code WAS220



Specifications

Material	Cian® solid surface
Height	555mm
Length	1555mm
Width	740mm
Capacity	168 ltrs
Dry Weight	104 Kg
Finish	Polished
Mount Type	Floor
Void	110mm
Waste	Not included

Basin

Material	Cian® solid surface
Height	160mm
Length	535mm
Width	390mm
Finish	Polished

Important

The provenance of this product is reproducing the authentic look of early 20th century manufacturing. There will be slight undulations and blemishes in the finish and these should be viewed in this light.



Shown with Victrion crosshead three-hole bath filler. See page 69.

Fitzroy

The Fitzroy bath is an authentic reproduction of the old 20th century Fireclay bath design but cast in our modern, hand finished Cian® solid surface material. The Fitzroy is single ended with a built in tap ledge for optional brassware installation. The Fitzroy comes supplied with four solid cast ball feet in Cian®.

Tapholes and overflow can be cut into this bath if required.

Price

£ 2,343.33 *Exc. VAT*

£ 2,812.00 *Inc. VAT*

Code BAB049

Compatible wastes

See page 78 for alternative finishes.

Plug & chain (with stowaway) exposed

£ 114.63 *Exc. VAT*

£ 137.56 *Inc. VAT*

Code WAS030

Push down exposed

£ 156.63 *Exc. VAT*

£ 187.96 *Inc. VAT*

Code WAS050

We recommend...

As shown opposite.



Victrion lever bath shower mixer

Deck mounted. Chrome

£ 375.00 *Exc. VAT*

£ 450.00 *Inc. VAT*

Code CTB120



Victrion traditional cast bath legs

Chrome

£ 175.00 *Exc. VAT*

£ 210.00 *Inc. VAT*

Code CTW905

Specifications

Material	Cian® solid surface
Height	630mm
Length	1715mm
Width	820mm
Capacity	190 ltrs
Dry Weight	115 Kg
Finish	Polished
Mount Type	Floor
Waste	Not included

Important

The provenance of this product is reproducing the authentic look of early 20th century manufacturing. There will be slight undulations and blemishes in the finish and these should be viewed in this light.



Shown with Victrion lever bath shower mixer with free-standing legs. See page 71.

Casini

The Casini is a one-piece Cian® casting with stunning outside detail that can only be achieved with our specialist moulding process. A fusion of classic and contemporary design, its thin rim gives a generous and comfortable bathing area.

The Casini comes supplied with a push down waste in chrome. The Casini has a matt outer and a polished inner.

Price

£ 2,749.17 *Exc. VAT*
 £ 3,299.00 *Inc. VAT*
 Code BAB035

Specifications

Material	Cian® solid surface
Height	570mm
Length	1680mm
Width	750mm
Capacity	180 ltrs
Dry Weight	90 Kg
Finish	Polished inner/ matt outer
Mount Type	Floor
Void	120mm
Waste	Included

We recommend...

As shown opposite.



Victrion crosshead bath shower mixer
 Wall or deck mounted. Chrome

£ 375.00 *Exc. VAT*
 £ 450.00 *Inc. VAT*
 Code CTA020



Victrion traditional cast bath legs
 Chrome

£ 175.00 *Exc. VAT*
 £ 210.00 *Inc. VAT*
 Code CTW905

Important
NO OVERFLOW.
 The Casini does not have an overflow.

Note
 When a trap is fitted to this bath, it will protrude below the floor level. Therefore, a small floor recess will have to be made under the bath to allow for that.



Shown with Victrion crosshead bath shower mixer with free-standing legs. See page 69.

Senator

Available with solid bun feet

The Senator bath is an authentic reproduction of the old 20th century Fireclay bath design but cast in our modern Cian® solid surface material. The Senator has a huge bathing area and is hand finished which makes it a unique and authentic centrepiece. It is available with or without bun feet.



Price

Without feet

£ 3,332.50 *Exc. VAT*

£ 3,999.00 *Inc. VAT*

Code BAB045

With feet

£ 3,690.00 *Exc. VAT*

£ 4,428.00 *Inc. VAT*

Code BAB045 + BAB047

Compatible wastes

See page 78 for alternative finishes.

Concealed plug & chain bath waste

Chrome

£ 29.75 *Exc. VAT*

£ 35.70 *Inc. VAT*

Code WAS020

Push down concealed bath waste & overflow

Chrome

£ 104.13 *Exc. VAT*

£ 124.96 *Inc. VAT*

Code WAS040

Senator basin

£ 395.00 *Exc. VAT*

£ 474.00 *Inc. VAT*

Code BAB135

Push down waste for basin

Chrome

£ 41.13 *Exc. VAT*

£ 49.36 *Inc. VAT*

Code WAS220



Specifications

Material	Cian® solid surface
Height	615mm + 128mm with feet
Length	1804mm
Width	850mm
Capacity	200 ltrs
Dry Weight	130 Kg
Finish	Polished
Mount Type	Floor
Void	130mm
Waste	Not included

Basin

Material	Cian® solid surface
Height	160mm
Length	525mm
Width	380mm
Finish	Polished

Important

1. It is not possible to fit an overflow filler to this bath.
2. The provenance of this product is reproducing the authentic look of early 20th century manufacturing. There will be slight undulations and blemishes in the finish and these should be viewed in this light.



Shown with Vietrion triple exposed valve, 8" head and spout. See page 74.

CIAN® SOLID SURFACE

Kurv

Available with plinth

The popular Kurv Cian® solid-surface bath is a combination of trend setting design and technical achievement. The minimalist Kurv bath is both comfortable and stylish to enhance any bathroom. Being rimless, the Kurv gives maximum bathing area.

The Kurv bath is supplied with a push down waste in chrome.



Price

£ 2,850.00 *Exc. VAT*

£ 3,420.00 *Inc. VAT*

Code BAB005

With plinth

£ 3,207.50 *Exc. VAT*

£ 3849.00 *Inc. VAT*

Code BAB005 + BAB007

Kurv basin

£ 360.00 *Exc. VAT*

£ 432.00 *Inc. VAT*

Code BAB105

Push down waste for basin

Chrome

£ 41.13 *Exc. VAT*

£ 49.36 *Inc. VAT*

Code WAS220



Specifications

Material	Cian® solid surface
Height	560mm
Length	1890mm
Width	900mm
Capacity	180 ltrs
Dry Weight	130 Kg
Finish	Polished
Mount Type	Floor
Void	40mm
Waste	Included

With plinth

Material	GRP
Height	640mm

Basin

Material	Cian® solid surface
Height	170mm
Length	615mm
Width	360mm
Finish	Polished

Important

1. There is a limited void under this bath, therefore the trap and waste will need to be installed under floor level. If this is not possible there is a separate plinth available to raise the level of the bath. The plinth and bath must be ordered together as they are individually matched in our workshop.
2. This bath has an overflow built into the side.
3. It is not therefore possible to fit an overflow filler to this bath.



Image by Little Greene Paint Company.

Tasse

The oval Tasse bath's delicately simple design is coupled with a generous bathing area and all the properties of BC Designs' exclusive Cian® material.

The Tasse bath comes with a push down waste in chrome.

Price

£ 2,708.33 *Exc. VAT*

£ 3,250.00 *Inc. VAT*

Code BAB010

Tasse basin

£ 360.00 *Exc. VAT*

£ 432.00 *Inc. VAT*

Code BAB110

Push down waste for basin

Chrome

£ 41.13 *Exc. VAT*

£ 49.36 *Inc. VAT*

Code WAS220



Specifications

Material	Cian® solid surface
Height	685mm
Length	1770mm
Width	880mm
Capacity	180 ltrs
Dry Weight	86 Kg
Finish	Polished
Mount Type	Floor
Void	110mm
Waste	Included

Basin

Material	Cian® solid surface
Height	145mm
Length	575mm
Width	345mm
Finish	Polished

Important

1. There is sufficient void under this bath to accommodate a low level trap and waste pipe work.
2. If it is necessary to bring waste pipe work out above floor please seek advice from BC Designs prior to installation.
3. This bath has an overflow built into the body of the bath.
4. It is not possible to fit an overflow filler to this bath.



Bathroom design by Nicholas Anthony.

Gio

The spacious Gio bath is the archetypal egg-shaped bath with a huge bathing area. Cast in gloss white Cian® it features a built in overflow that is hidden seamlessly within the bath for a smooth, contemporary finish.

The Gio bath comes with a push down waste in chrome.

Price

£ 2,499.17 *Exc. VAT*

£ 2,999.00 *Inc. VAT*

Code BAB062

Specifications

Material	Cian® solid surface
Height	535mm
Length	1645mm
Width	935mm
Capacity	160 ltrs
Dry Weight	100 Kg
Finish	Polished
Mount Type	Floor
Void	90mm
Waste	Included

Basin

Material	Cian® solid surface
Height	145mm
Length	575mm
Width	345mm
Finish	Polished

Gio basin

£ 360.00 *Exc. VAT*

£ 432.00 *Inc. VAT*

Code BAB110

Push down waste for basin

Chrome

£ 41.13 *Exc. VAT*

£ 49.36 *Inc. VAT*

Code WAS220



Important

1. There is sufficient void under this bath to accommodate a low level trap and waste pipe work.
2. If it is necessary to bring waste pipe work out above floor please seek advice from BC Designs prior to installation.
3. This bath has an overflow built into the body of the bath.
4. It is not possible to fit an overflow filler to this bath.



Bathroom design by TEC Lifestyle.

Vive

Small in size but surprisingly spacious, the Vive bath is versatile bath that suits compact and generous spaces alike. It is cast in Cian® and hand finished for a luxurious bathing experience.

The Vive bath comes with a push down waste in chrome.

Price

£ 2,499.00 *Exc. VAT*

£ 2,998.80 *Inc. VAT*

Code BAB064

Specifications

Material	Cian® solid surface
Height	530mm
Length	1610mm
Width	750mm
Capacity	180 ltrs
Dry Weight	105 Kg
Finish	Polished
Mount Type	Floor
Void	90mm
Waste	Included

Basin

Material	Cian® solid surface
Height	135mm
Length	530mm
Width	360mm
Finish	Polished

Vive basin

£ 360.00 *Exc. VAT*

£ 432.00 *Inc. VAT*

Code BAB164

Push down waste for basin

Chrome

£ 41.13 *Exc. VAT*

£ 49.36 *Inc. VAT*

Code WAS220



Important

1. There is sufficient void under this bath to accommodate a low level trap and waste pipe work.
2. If it is necessary to bring waste pipe out above floor please seek advice from BC Designs prior to installation.
3. This bath has an overflow built into the body of the bath.
4. It is not possible to fit an overflow filler to this bath.



Wallpaper by NLXL.

Delicata

The Delicata is a modern take on the traditional slipper bath, giving you a comfortable bathing area in which to soak, along with clean, contemporary lines. Cast in Cian® the Delicata will retain heat while you relax.

The Delicata Slipper bath comes with a push down waste in chrome.

Price

£ 2,499.17 *Exc. VAT*

£ 2,999.00 *Inc. VAT*

Code BAB020

Specifications

Material	Cian® solid surface
Height	680mm
Length	1520mm
Width	715mm
Capacity	190 ltrs
Dry Weight	86 Kg
Finish	Polished
Mount Type	Floor
Void	110mm
Waste	Included

Basin

Material	Cian® solid surface
Height	135mm
Length	450mm
Width	450mm
Finish	Polished

Delicata basin

£ 360.00 *Exc. VAT*

£ 432.00 *Inc. VAT*

Code BAB120

Push down waste for basin

Chrome

£ 41.13 *Exc. VAT*

£ 49.36 *Inc. VAT*

Code WAS220



Important

1. There is sufficient void under this bath to accommodate a low level trap and waste pipe work.
2. If it is necessary to bring waste pipe work out above floor please seek advice from BC Designs prior to installation.
3. This bath has an overflow built into the body of the bath.
4. It is not possible to fit an overflow filler to this bath.



Esseta

From the Projekt range of baths

The Esseta is cast in our unique Cian® material which has heat retaining properties and is scratch and stain resistant. Available in silk matt and gloss finishes the Esseta has a small footprint but a generous bathing area!

Price

Polished

£ 2,150.00 *Exc. VAT*

£ 2,580.00 *Inc. VAT*

Code BAB071

Silk matt

£ 1,995.00 *Exc. VAT*

£ 2,394.00 *Inc. VAT*

Code BAB070

Compatible wastes

See page 78 for alternative finishes.

Push down waste

For installation without overflow.

Chrome

£ 68.25 *Exc. VAT*

£ 81.90 *Inc. VAT*

Code WAS110

Push down exposed

For installation with overflow.

Chrome

£ 156.63 *Exc. VAT*

£ 187.96 *Inc. VAT*

Code WAS050

Specifications

Material	Cian® solid surface
Width	760mm*
Capacity	170 ltrs
Dry Weight	75 Kg
Mount Type	Floor
Void	110mm
Waste	Not included

Silk matt

Height	550mm*
Length	1510mm*

Polished

Height	550mm*
Length	1510mm*

Important

1. The Projekt baths are supplied without overflow hole. An overflow hole can be drilled on site. Please contact us for advice on how to do this.
2. Please refer to the technical drawing on our website for detailed dimensions.
3. There is a recess under the bath to allow for a trap and pipework.

Note

* All dimensions are approximate due to manufacturing tolerances.

NEW



Divita

From the Projekt range of baths

The Divita bath is spacious with a small footprint and is available in a silk matt or gloss finish. Cast in our unique Cian® material it is heat retaining, scratch and stain resistant.

Price

Polished

£ 2,150.00 *Exc. VAT*

£ 2,580.00 *Inc. VAT*

Code BAB075

Silk matt

£ 1,995.00 *Exc. VAT*

£ 2,394.00 *Inc. VAT*

Code BAB074

Compatible wastes

See page 78 for alternative finishes.

Push down waste

For installation without overflow

£ 68.25 *Exc. VAT*

£ 81.90 *Inc. VAT*

Code WAS110

Push down exposed

For installation with overflow

£ 156.63 *Exc. VAT*

£ 187.96 *Inc. VAT*

Code WAS050

Specifications

Material	Cian® solid surface
Height	540mm*
Length	1495mm*
Width	720mm*
Capacity	150 ltrs
Dry Weight	82 Kg
Mount Type	Floor
Void	110mm
Waste	Not included

Important

1. The Projekt baths are supplied without overflow hole. An overflow hole can be drilled on site. Please contact us for advice on how to do this.
2. Please refer to the technical drawing on our website for detailed dimensions.
3. There is a recess of 120mm under the bath to allow for a trap and pipework.

Note

* All dimensions are approximate due to manufacturing tolerances.

NEW



Sorpressa

From the Projekt range of baths

The Sorpressa is cast in our unique Cian® material - which is heat retentive, scratch and stain resistant. Each bath can be fitted with an overflow and is available in a silk matt or gloss finish. The Sorpressa has a generous internal space with a small external footprint making it ideal for projects and smaller bathrooms.

Price

Polished

£ 2,150.00 *Exc. VAT*

£ 2,580.00 *Inc. VAT*

Code BAB073

Silk matt

£ 1,995.00 *Exc. VAT*

£ 2,394.00 *Inc. VAT*

Code BAB072

Compatible wastes

See page 78 for alternative finishes.

Push down waste

For installation without overflow

£ 68.25 *Exc. VAT*

£ 81.90 *Inc. VAT*

Code WAS110

Push down exposed

For installation with overflow

£ 156.63 *Exc. VAT*

£ 187.96 *Inc. VAT*

Code WAS050

Specifications

Material	Cian® Solid Surface
Height	555mm*
Length	1510mm*
Width	760mm*
Capacity	170 ltrs
Dry Weight	73 Kg
Mount Type	Floor
Void	120mm
Waste	Not included

Important

1. The Projekt baths are supplied without overflow hole. An overflow hole can be drilled on site. Please contact us for advice on how to do this.
2. Please refer to the technical drawing on our website for detailed dimensions.
3. There is a recess of 120mm under the bath to allow for a trap and pipework.

Note

* All dimensions are approximate due to manufacturing tolerances.



Basins

The Cian® basin range has been designed to match our extensive range of solid surface baths. Each boasts the same benefits as its roomy counterparts and are hand polished for a premium finish.

Kurv basin

Polished

£ 360.00 *Exc. VAT*

£ 432.00 *Inc. VAT*

Code BAB105



Height	Length	Width
170mm	615mm	360mm

Bampton/Aurelius basin

Polished

£ 395.00 *Exc. VAT*

£ 474.00 *Inc. VAT*

Code BAB130



Height	Length	Width
160mm	535mm	390mm

Tasse/Gio basin

Polished

£ 360.00 *Exc. VAT*

£ 432.00 *Inc. VAT*

Code BAB110



Height	Length	Width
145mm	575mm	345mm

Delicata basin

Polished

£ 360.00 *Exc. VAT*

£ 432.00 *Inc. VAT*

Code BAB120



Height	Length	Width
135mm	450mm	450mm

Vive basin

Polished

£ 360.00 *Exc. VAT*

£ 432.00 *Inc. VAT*

Code BAB164



Height	Length	Width
135mm	530mm	360mm

Magnus/Senator basin

Polished

£ 395.00 *Exc. VAT*

£ 499.00 *Inc. VAT*

Code BAB135



Height	Length	Width
160mm	525mm	380mm

Compatible wastes

See page 78 for alternative finishes.

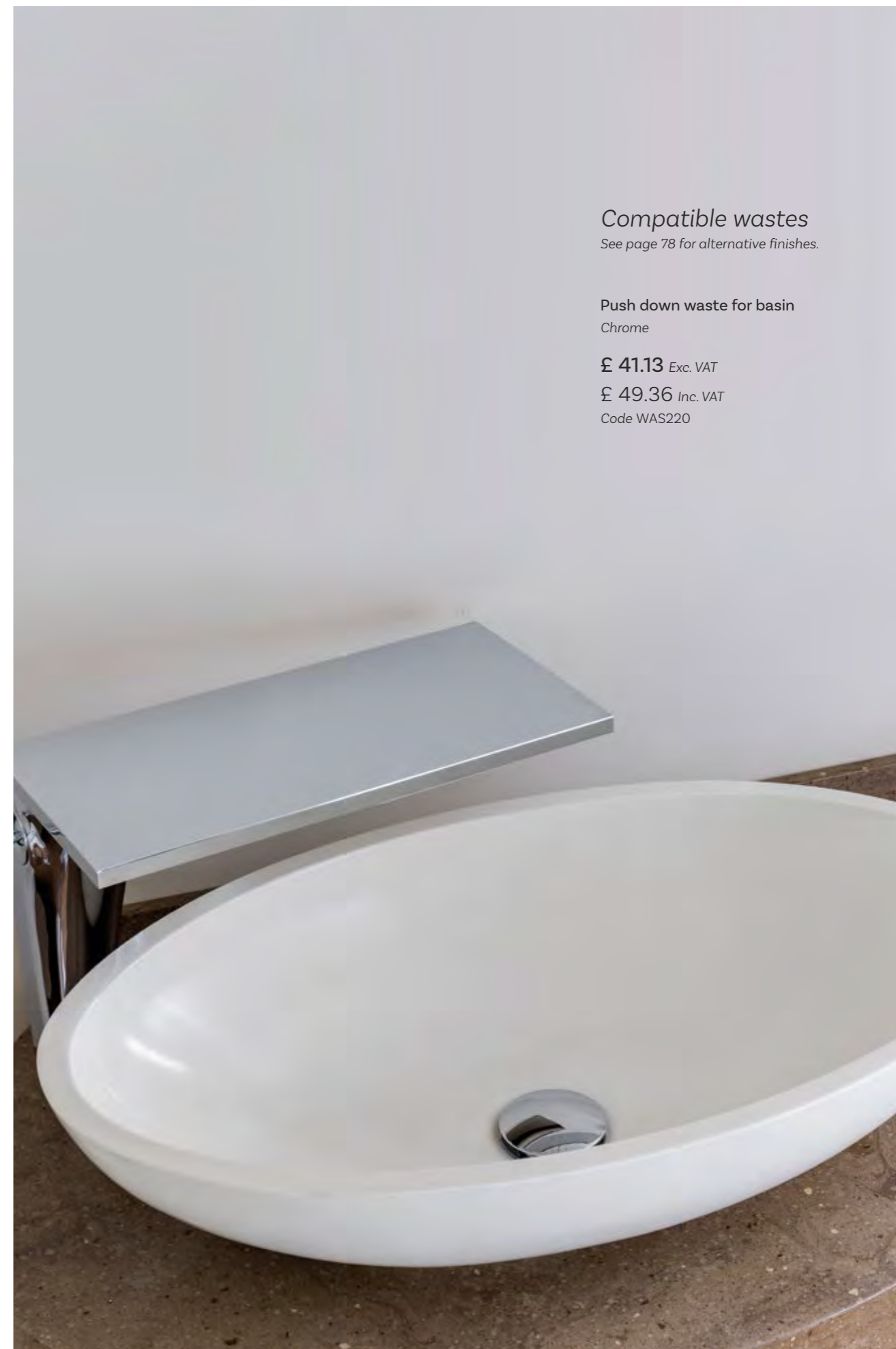
Push down waste for basin

Chrome

£ 41.13 *Exc. VAT*

£ 49.36 *Inc. VAT*

Code WAS220



CONTEMPORARY

Acrymite®

— 0 —

03

Our unique range of contemporary acrylic baths are manufactured using our exclusive Acrymite® system. Each bath is made using reinforced acrylic panels, joined seamlessly for a one-piece look, and because we only cover the join any 'wear and tear' scuffs and marks can be easily removed.



Bathroom project by Ripples Bathrooms.

The benefits?

Why choose an Acrymite® BC Designs bath?

Bathroom project by Ripples Bathrooms.

One piece look

Although double skinned acrylic, our Acrymite® baths have no unsightly join marks for a premium 'one piece' look.

Overflow

Our Acrymite® baths are available with overflows to meet building regulations and to give piece of mind. A select few of our baths have the option of an overflow filler.

Easy maintenance

A daily wipe using a non-abrasive cleaning agent will keep the surface clean. It is resistant to deterioration and minor damages can be polished or repaired.

Heat retaining

Our Acrymite® baths retain the heat of the room for a comfortable bathing experience.

Guarantees

Acrymite® baths have a ten year guarantee and will retain their original beauty for many years with minimum maintenance required.

CONTEMPORARY ACRYMITE®

Viado

The simplicity of the Viado bath makes it a firm favourite and it is now available in three sizes.

The Viado is fitted with a push down waste in chrome.

Price

1580mm	1680mm	1780mm
£ 1,074.17 <i>Exc. VAT</i>	£ 1,099.17 <i>Exc. VAT</i>	£ 1,132.50 <i>Exc. VAT</i>
£ 1,289.00 <i>Inc. VAT</i>	£ 1,319.00 <i>Inc. VAT</i>	£ 1,359.00 <i>Inc. VAT</i>
Code BAS005	Code BAS007	Code BAS010

Important

1. When a trap is fitted to this bath, it will protrude below the floor level. Therefore, a small floor recess will have to be made under the bath to allow for that.
2. If it is necessary to bring waste pipe work out above floor please seek advice from BC Designs prior to installation.
3. This bath is supplied with a factory fitted push down waste in Chrome.
4. It is not possible to fit an overflow filler to this bath.

Specifications

Material	Acrymite® acrylic
Finish	Gloss white
Mount Type	Floor
Waste	Included

1580mm bath

Height	570mm
Width	740mm
Capacity	225 ltrs
Void	100
Dry Weight	35 Kg

1680mm bath

Height	570mm
Width	740mm
Capacity	245 ltrs
Void	100
Dry Weight	38 Kg

1780mm bath

Height	550mm
Width	800mm
Capacity	266 ltrs
Void	80
Dry Weight	42 Kg

CONTEMPORARY ACRYMITE®

Ovali

The fantastic egg-shaped Ovali's thick rim makes a real statement in any contemporary bathroom designs. Now available in two sizes, it is sure to create quite the impression.

The Ovali is fitted with a push down waste in chrome.

Price

1690mm	1805mm
£ 1,082.50 <i>Exc. VAT</i>	£ 1,132.50 <i>Exc. VAT</i>
£ 1,299.00 <i>Inc. VAT</i>	£ 1,359.00 <i>Inc. VAT</i>
Code BAS019	Code BAS020

Compatible overflow filler

This bath is compatible with our overflow filler

£ 204.75 <i>Exc. VAT</i>
£ 245.70 <i>Inc. VAT</i>
Code WAS305

Specifications

Material	Acrymite® acrylic
Height	600mm
Finish	Gloss white
Mount Type	Floor
Waste	Included

1690mm bath

Width	800mm
Capacity	258 ltrs
Void	125
Dry Weight	35 Kg

1805mm bath

Width	850mm
Capacity	258 ltrs
Void	130
Dry Weight	40 Kg

Important

1. There is sufficient void under this bath to accommodate a low level trap and waste pipe work.
2. If it is necessary to bring waste pipe work out above floor please seek advice from BC Designs prior to installation.
3. This bath is supplied with a factory fitted push down waste in Chrome, unless an overflow filler is ordered as extra.



Bathroom design by TEC Lifestyle.

CONTEMPORARY ACRYMITE®

Dinkee

Dinkee by name, and by nature, this bath is a fantastic solution for small spaces. Because of its thin rim, the Dinkee offers a surprisingly spacious bathing area which is complemented by a seamless acrylic outer.

The Dinkee bath is fitted with a push down waste in chrome.

Price

£ 1,157.50 *Exc. VAT*

£ 1,389.00 *Inc. VAT*

Code BAS012

Specifications

Material	Acrymite® acrylic
Height	600mm
Length	1500mm
Width	780mm
Capacity	170 ltrs
Dry Weight	34 Kg
Finish	Gloss white
Mount Type	Floor
Void	100
Waste	Included

Important

1. There is sufficient void under this bath to accommodate a low level trap and waste pipe work.
2. If it is necessary to bring waste pipe work out above floor please seek advice from BC Designs prior to installation.
3. Due to limited access between inner and outer this bath is supplied with a factory fitted push down waste in Chrome
4. It is not therefore possible to fit an overflow filler to this bath.

CONTEMPORARY ACRYMITE®

Slipp

A traditional slipper bath brought up to date with sweeping lines and smooth construction.

The Slipp is fitted with a unslotted push down waste in Chrome.

Price

£ 1,132.50 *Exc. VAT*

£ 1,359.00 *Inc. VAT*

Code BAS035

Specifications

Material	Acrymite® acrylic
Height	800mm
Length	1590mm
Width	460mm
Capacity	195 ltrs
Dry Weight	35 Kg
Finish	Gloss white
Mount Type	Floor
Void	70
Waste	Included

Important

1. When a trap is fitted to this bath, it will protrude below the floor level. Therefore, a small floor recess will have to be made under the bath to allow for that.
2. If it is necessary to bring waste pipe work out above floor please seek advice from BC Designs prior to installation.
3. **NO OVERFLOW.**
This bath does not have an overflow.
4. It is not therefore possible to fit an overflow filler to this bath.



CONTEMPORARY ACRYMITE®

Parama

The Parama can be positioned against the wall, in the corner or completely free-standing for a sharp bathroom focal point.

The Parama is fitted with a push down waste in chrome.

Price

£ 1,424.17 *Exc. VAT*

£ 1,709.00 *Inc. VAT*

Code BAS030

Compatible overflow filler

This bath is compatible with our overflow filler

£ 204.75 *Exc. VAT*

£ 245.70 *Inc. VAT*

Code WAS305

Specifications

Material	Acrymite® acrylic
Height	600mm
Length	1800mm
Width	800mm
Capacity	220 ltrs
Dry Weight	66 Kg
Finish	Gloss white
Mount Type	Floor
Void	110
Waste	Included

Important

1. There is sufficient void under this bath to accommodate a low level trap and waste pipe work.
2. If it is necessary to bring waste pipe work out above floor please seek advice from BC Designs prior to installation.
3. This bath is supplied with a factory fitted push down waste in Chrome.

CONTEMPORARY ACRYMITE®

Plazia

The Plazia has a thicker rim for a chunkier look for both modern and classic settings.

The Plazia is fitted with a push down waste in chrome.

Price

£ 1,132.50 *Exc. VAT*

£ 1,359.00 *Inc. VAT*

Code BAS040

Compatible overflow filler

This bath is compatible with our overflow filler

£ 204.75 *Exc. VAT*

£ 245.70 *Inc. VAT*

Code WAS305

Specifications

Material	Acrymite® acrylic
Height	560mm
Length	1780mm
Width	800mm
Capacity	230 ltrs
Dry Weight	42 Kg
Finish	Gloss white
Mount Type	Floor
Void	115
Waste	Included

Important

1. When a trap is fitted to this bath, it will protrude below the floor level. Therefore, a small floor recess will have to be made under the bath to allow for that.
2. If it is necessary to bring waste pipe work out above floor please seek advice from BC Designs prior to installation.
3. This bath is supplied with a factory fitted push down waste in Chrome.



CONTEMPORARY ACRYMITE®

Chalice *major*

The spacious Chalice Major bath is the ideal bath for a long, luxurious soak. It has a built in tap ledge for your chosen brassware, or glass of wine, and is made from seamless acrylic.

The Chalice Major is fitted with a push down waste in chrome.

Price

£ 1,299.17 *Exc. VAT*

£ 1,559.00 *Inc. VAT*

Code BAS015

Compatible overflow filler

This bath is compatible with our overflow filler

£ 204.75 *Exc. VAT*

£ 245.70 *Inc. VAT*

Code WAS305

Specifications

Material	Acrymite® acrylic
Height	560mm
Length	1780mm
Width	935mm
Capacity	270 ltrs
Dry Weight	36 Kg
Finish	Gloss white
Mount Type	Floor
Void	100
Waste	Included

Important

1. When a trap is fitted to this bath, it will protrude below the floor level. Therefore, a small floor recess will have to be made under the bath to allow for that.
2. If it is necessary to bring waste pipe work out above floor please seek advice from BC Designs prior to installation.
3. This bath is supplied with a factory fitted push down waste in Chrome.

CONTEMPORARY ACRYMITE®

Chalice *minor*

Chalice Major's younger brother, without tap ledge, is an oval bath with sweeping lines. It is crafted using the Acrymite® seamless system for a luxurious one-piece look.

The Chalice Minor is fitted with a push down waste in chrome.

Price

£ 1,132.50 *Exc. VAT*

£ 1,359.00 *Inc. VAT*

Code BAS016

Specifications

Material	Acrymite® acrylic
Height	590mm
Length	1650mm
Width	900mm
Capacity	240 ltrs
Dry Weight	37 Kg
Finish	Gloss white
Mount Type	Floor
Void	100
Waste	Included

Important

1. There is sufficient void under this bath to accommodate a low level trap and waste pipe work.
2. If it is necessary to bring waste pipe work out above floor please seek advice from BC Designs prior to installation.
3. Due to limited access between inner and outer this bath is supplied with a factory fitted push down waste in Chrome.
4. It is not therefore possible to fit an overflow filler to this bath.



Bathroom design by Ripples.

CONTEMPORARY ACRYMITE®

Ancora

The Ancora is a versatile back-to-wall bath with numerous options. Compatible with an overflow filler, the Ancora is a great space saving solution if you are unable to fit a free-standing bath into your bathroom space. The Acrymite® system gives it a completely seamless, gloss finish.

Price & compatible wastes

£ 1,340.83 *Exc. VAT*

£ 1,609.00 *Inc. VAT*

Code BAS055

Concealed plug & chain bath waste

Chrome

£ 29.75 *Exc. VAT*

£ 35.70 *Inc. VAT*

Code WAS020

Push down concealed bath waste & overflow

Chrome

£ 104.13 *Exc. VAT*

£ 124.96 *Inc. VAT*

Code WAS040

Overflow filler

This bath is compatible with our overflow filler

£ 204.75 *Exc. VAT*

£ 245.70 *Inc. VAT*

Code WAS305

Specifications

Material	Acrymite® acrylic
Height	590mm
Length	1640mm
Width	760mm
Capacity	200 ltrs
Dry Weight	42 Kg
Finish	Gloss white
Mount Type	Floor
Void	110
Waste	Not included

Important

1. The Ancora's back rim measures 80mm. Many deck fitted taps can be mounted on this rim, however it is the customer's responsibility to check that they fit comfortably.
2. There is a void at the centre rear of the bath to allow for plumbing.

CONTEMPORARY ACRYMITE®

Murali

The Murali is a modern back-to-wall bath with upright sides for corner installation if required. The Murali is fitted with a factory-fitted push down chrome waste. Compatible with a deck-mounted or overflow filler, the seamless Murali is a great alternative to free-standing options.

Price & compatible wastes

£ 1,465.83 *Exc. VAT*

£ 1,759.00 *Inc. VAT*

Code BAS022

Concealed plug & chain bath waste

Chrome

£ 29.75 *Exc. VAT*

£ 35.70 *Inc. VAT*

Code WAS020

Push down concealed bath waste & overflow

Chrome

£ 104.13 *Exc. VAT*

£ 124.96 *Inc. VAT*

Code WAS040

Overflow filler

This bath is compatible with our overflow filler

£ 204.75 *Exc. VAT*

£ 245.70 *Inc. VAT*

Code WAS305

Specifications

Material	Acrymite® acrylic
Height	600mm
Length	1720mm
Width	740mm
Capacity	220 ltrs
Dry Weight	54 Kg
Finish	Gloss white
Mount Type	Floor
Waste	Not included

Note

The Murali's rim measures 90mm. Many deck mounted taps can be fitted on this back rim, however it is the customer's responsibility to check that they fit comfortably.

Important

There is sufficient void under this bath to accommodate a low level trap and waste pipe work.



Bathroom design by TEC Lifestyle.

ACCESSORIES &
Brassware

— 0 —

04

BC Designs have always been recognised for the authenticity of its products and so we introduce our fabulous range of Victrion brassware and shower products. Each piece incorporates the latest in ceramic 1/4 turn discs and thermostatic valve technology without compromising on style.



Victrion Crosshead Bath Shower Mixer.

Crosshead



Victrion crosshead taps

Make your choice from our excellent Victrion range to complete the look of Classic bathrooms. Fully guaranteed for piece of mind.

All taps are available in either domed or exposed styles. See opposite.



DIMENSIONS & INSTALLATION INSTRUCTIONS >> WWW.BCDESIGNS.CO.UK



Victrion crosshead bath shower mixer.



Victrion crosshead mono basin mixer

Chrome

£ 165.00 *Exc. VAT*

£ 198.00 *Inc. VAT*

Code CTA015



Victrion crosshead 3 hole basin mixer

Chrome

£ 225.00 *Exc. VAT*

£ 270.00 *Inc. VAT*

Code CTA025



Victrion crosshead 3-hole wall bath filler with spout

Chrome

£ 275.00 *Exc. VAT*

£ 330.00 *Inc. VAT*

Code CTA030



Victrion crosshead basin pillar taps

Chrome

£ 69.17 *Exc. VAT*

£ 83.00 *Inc. VAT*

Code CTA005



Victrion crosshead bath pillar taps

Chrome

£ 93.00 *Exc. VAT*

£ 111.60 *Inc. VAT*

Code CTA010



Victrion mono bidet crosshead mixer

Chrome

£ 200.00 *Exc. VAT*

£ 240.00 *Inc. VAT*

Code CTB035



Victrion crosshead bath shower mixer

Deck mounted. Chrome

£ 375.00 *Exc. VAT*

£ 450.00 *Inc. VAT*

Code CTA020



Victrion crosshead wall mounted bath shower mixer

Chrome

£ 375.00 *Exc. VAT*

£ 450.00 *Inc. VAT*

Code CTA021

All lever and crosshead taps have an option of domed or exposed collars.

Please specify your preference when you order.

Domed
Chrome



Exposed
Chrome



Lever

Victrion lever taps

Make your choice from our excellent Victrion range to complete the look of Classic bathrooms. Fully guaranteed for piece of mind.

All taps are available in either domed or exposed styles. See opposite.



DIMENSIONS & INSTALLATION INSTRUCTIONS >> WWW.BCDESIGNS.CO.UK



Victrion lever mono basin mixer
Chrome

£ 165.00 *Exc. VAT*
£ 198.00 *Inc. VAT*
Code CTB115



Victrion lever 3 hole basin mixer
Chrome

£ 225.00 *Exc. VAT*
£ 270.00 *Inc. VAT*
Code CTB125



Victrion lever 3 hole wall mounted bath filler
Chrome

£ 275.00 *Exc. VAT*
£ 330.00 *Inc. VAT*
Code CTB130



Victrion lever basin pillar taps
Chrome

£ 69.17 *Exc. VAT*
£ 83.00 *Inc. VAT*
Code CTB105



Victrion lever bath pillar taps
Chrome

£ 93.00 *Exc. VAT*
£ 111.60 *Inc. VAT*
Code CTB110



Victrion mono bidet mixer
Chrome

£ 200.00 *Exc. VAT*
£ 240.00 *Inc. VAT*
Code CTA035



Victrion lever bath shower mixer
Deck mounted. Chrome

£ 375.00 *Exc. VAT*
£ 450.00 *Inc. VAT*
Code CTB120



Victrion lever bath shower mixer
Wall mounted. Chrome

£ 375.00 *Exc. VAT*
£ 450.00 *Inc. VAT*
Code CTB121

All lever and crosshead taps have an option of domed or exposed collars.

Please specify your preference when you order.

Domed
Chrome



Exposed
Chrome



ACCESSORIES & BRASSWARE

Showers

Victrion shower range

Industry certified showers. See overleaf for more information about our showers.



DIMENSIONS & INSTALLATION INSTRUCTIONS >> WWW.BCDESIGNS.CO.UK



Victrion slide rail kit and handset
Chrome

£ 99.00 *Exc. VAT*
£ 118.80 *Inc. VAT*
Code CSB105



Victrion superbe fixed riser kit
With 8" showerhead and handset. Chrome

£ 399.00 *Exc. VAT*
£ 478.80 *Inc. VAT*
Code CSB120



Victrion triple valve with shower and spout bath filler
With 8" showerhead. Chrome

£ 675.00 *Exc. VAT*
£ 810.00 *Inc. VAT*
Code CSA005





Victrion 1-way twin concealed shower valve

Chrome

£ 249.00 *Exc. VAT*

£ 298.80 *Inc. VAT*

Code CSA020



Victrion 2-way triple concealed shower valve

Chrome

£ 259.00 *Exc. VAT*

£ 310.80 *Inc. VAT*

Code CSA030



Victrion twin exposed shower valve

Chrome

£ 259.00 *Exc. VAT*

£ 310.80 *Inc. VAT*

Code CSA025



Victrion straight wall shower arm

Chrome

£ 38.33 *Exc. VAT*

£ 46.00 *Inc. VAT*

Code CSC225



Victrion arch shower arm

90mm. Chrome

£ 44.17 *Exc. VAT*

£ 60.00 *Inc. VAT*

Code CSC220



Victrion ceiling mounted shower arm

Chrome

£ 55.00 *Exc. VAT*

£ 66.00 *Inc. VAT*

Code CSC215



Victrion 12 inch shower head

Chrome

£ 195.00 *Exc. VAT*

£ 234.00 *Inc. VAT*

Code CSC210



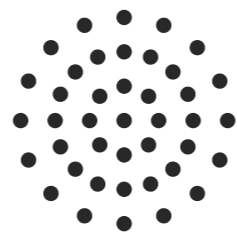
Victrion 8 inch shower head

Chrome

£ 79.00 *Exc. VAT*

£ 94.80 *Inc. VAT*

Code CSC205



See overleaf for shower accessories

ACCESSORIES & BRASSWARE

Our showers

The BC Designs Victrion shower valves are not just good looking! Our twin, triple and dual control shower valves are manufactured in the UK by a dedicated team. By installing one of our shower valves, you can enjoy the following benefits:

Industry certified

Our concealed twin, triple and dual control shower valves are TMV approved. All thermostatic valves are WRAS approved.

TMV2

TMV2 approval means the shower will maintain the preset temperatures even if the water pressure varies when other appliances are used, preventing domestic hot water scalding. Only concealed valves are TMV Approved.

TMV3

TMV3 approval means that the shower meets Government health & safety requirements for use in public places such as schools, hospitals etc. Together, they ensure that our showers offer peace of mind and safe showering for all the family. Only concealed valves are TMV Approved.

Safety for all the family

- Thermostatic control to +/- 2 degrees even if the temperature or incoming pressures fluctuate.
- Full thermal protection to prevent scalding even in the event of hot or cold water failure.
- In the event of hot or cold water failure, the valve will shut down the water supply.

Reliability

- See website for exact flow rates of individual valves.
- Accurate flow control.
- Excellent flow rates - even at low pressure. Victrion showers can deliver 5.5 ltrs of water per minute at 0.1 bar pressure.
- The patented thermostatic cartridge is highly resistant to calcium build-up - even in hard water areas.

Ease of installation

BC Designs Victrion thermostatic shower valves, contain a patented cartridge, which makes them simple to install and easy to maintain after installation.

The cartridge is fully reversible, meaning if hot and cold supplies are the wrong way round, it doesn't need re-plumbing. Simply remove the cartridge, turn 180° and replace.

Guarantee

Victrion shower valves come with a 10 year guarantee. Visit our website for terms and conditions.

www.bcdesigns.co.uk



Accessories

Complete your bathroom with the Victrion range of accessories, the perfect finishing touches.



DIMENSIONS & INSTALLATION INSTRUCTIONS >> WWW.BCDESIGNS.CO.UK



Victrion arch shower curtain ring
Chromed stainless steel

£ 207.50 *Exc. VAT*
£ 280.00 *Inc. VAT*
Code CSD305

Height	Length	Width
347mm	1036mm	642mm



Victrion oval shower curtain ring
Chromed stainless steel

£ 375.00 *Exc. VAT*
£ 450.00 *Inc. VAT*
Code CSD310

Height	Length	Width
347mm	1094mm	685mm



Victrion double corner shower basket
Chrome

£ 60.00 *Exc. VAT*
£ 72.00 *Inc. VAT*
Code CMA055



Victrion ceramic soap dish holder
Chrome

£ 29.00 *Exc. VAT*
£ 34.80 *Inc. VAT*
Code CMA015



Victrion corner shower basket
Chrome

£ 31.90 *Exc. VAT*
£ 38.28 *Inc. VAT*
Code CMA050



Victrion double towel rail
Chrome

£ 69.00 *Exc. VAT*
£ 82.80 *Inc. VAT*
Code CMA025



Victrion gallery shelf
Chrome

£ 48.00 *Exc. VAT*
£ 57.60 *Inc. VAT*
Code CMA020



Victrion shower tidy
Chrome

£ 78.00 *Exc. VAT*
£ 93.60 *Inc. VAT*
Code CMA035



Victrion toilet roll holder
Chrome

£ 20.00 *Exc. VAT*
£ 24.00 *Inc. VAT*
Code CMA040



Victrion dog bone toilet roll holder
Chrome

£ 31.00 *Exc. VAT*
£ 37.20 *Inc. VAT*
Code CMA005



Victrion 3 tier towel rack
Chrome

£ 105.00 *Exc. VAT*
£ 126.00 *Inc. VAT*
Code CMA045



Victrion double robe hook
Chrome

£ 15.00 *Exc. VAT*
£ 18.00 *Inc. VAT*
Code CMA030



Victrion towel ring
Chrome

£ 20.00 *Exc. VAT*
£ 24.00 *Inc. VAT*
Code CMA010

Wastes & additions

Choose from our range of wastes and overflows

DIMENSIONS & INSTALLATION INSTRUCTIONS >> WWW.BCDESIGNS.CO.UK



Traditional pull-up basin waste
Chrome

£ 82.50 *Exc. VAT*
£ 99.00 *Inc. VAT*
Code WAS221



BC overflow filler
Chrome

£ 204.75 *Exc. VAT*
£ 245.70 *Inc. VAT*
Code WAS305



Victrion traditional cast bath legs
Chrome

£ 175.00 *Exc. VAT*
£ 210.00 *Inc. VAT*
Code CTW905



Push down 70mm CP waste for Projekt baths
Unslotted W/C/O. Chrome

£ 68.25 *Exc. VAT*
£ 81.90 *Inc. VAT*
Code WAS110



Click clack basin waste for Cian® basins
Chrome

£ 41.13 *Exc. VAT*
£ 49.36 *Inc. VAT*
Code WAS220



Victrion traditional bath legs with adjustable shrouds
Chrome

£ 105.00 *Exc. VAT*
£ 126.00 *Inc. VAT*
Code CTW910

Note These legs are for hiding pipework only and will not support the weight of a bath shower mixer. They are mainly for use with baths with tap holes.



Concealed plug & chain bath waste

Chrome
£ 29.75 *Exc. VAT*
£ 35.70 *Inc. VAT*
Code WAS020

Polished Nickel
£ 46.38 *Exc. VAT*
£ 55.66 *Inc. VAT*
Code WAS023

Gold
£ 46.38 *Exc. VAT*
£ 55.66 *Inc. VAT*
Code WAS021



Exposed bath waste/plug & chain with overflow pipe

Chrome
£ 114.63 *Exc. VAT*
£ 137.56 *Inc. VAT*
Code WAS030

Polished Nickel
£ 158.37 *Exc. VAT*
£ 190.04 *Inc. VAT*
Code WAS033

Gold
£ 174.12 *Exc. VAT*
£ 208.94 *Inc. VAT*
Code WAS032



Push down concealed bath waste & overflow

Chrome
£ 104.13 *Exc. VAT*
£ 124.96 *Inc. VAT*
Code WAS040

Polished Nickel
£ 135.63 *Exc. VAT*
£ 162.76 *Inc. VAT*
Code WAS042

Gold
£ 174.12 *Exc. VAT*
£ 208.94 *Inc. VAT*
Code WAS044



Push down exposed extended waste

Chrome
£ 156.63 *Exc. VAT*
£ 187.96 *Inc. VAT*
Code WAS050

Polished Nickel
£ 253.75 *Exc. VAT*
£ 304.50 *Inc. VAT*
Code WAS052

Gold
£ 279.12 *Exc. VAT*
£ 334.94 *Inc. VAT*
Code WAS054



Exposed low bath trap with adaptor (40/42mm) & pipe

Chrome
£ 104.13 *Exc. VAT*
£ 124.96 *Inc. VAT*
Code WAS080

Polished Nickel
£ 130.38 *Exc. VAT*
£ 156.46 *Inc. VAT*
Code WAS083

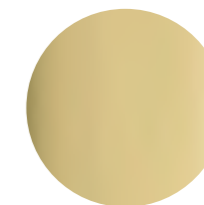
Gold
£ 130.38 *Exc. VAT*
£ 156.46 *Inc. VAT*
Code WAS082



Polished Chrome



Polished Nickel



Polished Gold

Note

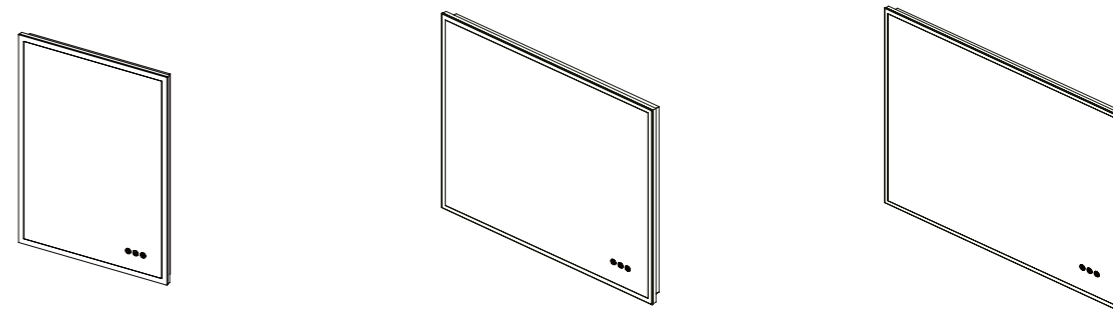
Special finishes can take 2-3 weeks to receive.

Damana

3-touch mirror

The NEW Damana mirror is an LED illuminated mirror with three light functions.

- Available in three sizes
- Hung landscape or portrait
- 2000-6000 kelvin
- Mount type: wall mounted
- IP Rating: IP44
- Zones: 2
- Guarantee: 2 Years



Damana 3-touch mirror 1

Height	700mm
Width	500mm

£ 229.17 *Exc. VAT*
£ 275.00 *Inc. VAT*
 Code EAM305

Damana 3-touch mirror 2

Height	600mm
Width	800mm

£ 245.83 *Exc. VAT*
£ 295.00 *Inc. VAT*
 Code EAM310

Damana 3-touch mirror 3

Height	600mm
Width	900mm

£ 258.33 *Exc. VAT*
£ 310.00 *Inc. VAT*
 Code EAM315

Ambient colour control

Press the touch controls to turn OFF, ON, adjust the brightness and even the colour temperature - choose your preference and the mirror will come on at its previous settings so that you can match your bathroom lighting.



Screwless shaver socket

The screwless shaver socket is dual voltage 240v/110v and available in a chrome finish only. Depending on supply, the front plate may differ from the one shown.

Material	Chrome
Height	150mm
Width	90mm

£ 86.63 *Exc. VAT*
£ 103.96 *Inc. VAT*
 Code SSS020



THE BATH MAKERS

bcdesigns



— 0 —
Visit our website

For technical specifications, installation instructions or more information please visit our website.

www.bcdesigns.co.uk

Important information

Terms of trading

BC Designs will not normally sell directly to the consumer and for this reason our published terms and conditions relate to the supply of goods on a business to business basis. Terms and conditions applicable to the end user are also those offered by the outlet from where you purchase the item and may vary. For this reason, end users should always refer any issue to the point of purchase in the first instance.

Guarantee and warranty

We offer a 2-year guarantee against manufacturing faults on all mirror products and wastes in this brochure. This may be enhanced by warranties offered by the manufacturer; however, it is important that you follow the manufacturer's instructions in registering for any such benefits. We offer a 10-year guarantee against manufacturing faults on our unique range of baths and non-electrical products. In either instance, all products must be fitted in accordance with both the instructions and any relevant regulations that apply to the country in which they are fitted. They are supplied for normal domestic use only. We do not cover products against fair wear and tear, misuse, incorrect usage, incorrect installation, incorrect specification, malicious or accidental damage, negligence or lack of servicing. Guarantees and warranties are non transferable. Proof of purchase will be required to validate any claim. No claim greater than the purchase price paid to BC Designs or for consequential loss will be entertained by BC Designs, except where negligence on the part of BC Designs is proven.

Authenticity

Many products in this brochure are made using techniques rarely in common use today. This is to recreate an authentic period look and this should not be confused with mass-produced, featureless product and thus construed as imperfect. Where applicable this is highlighted in our information on individual products.

Printing accuracy

Prices are for guidance and are correct at the time of going to print but do not constitute a formal offer as prices may have to change due to unforeseen circumstances. Accordingly, all prices are those ruling at the date of despatch.

Photographs in this brochure are studio posed in a setting intended to demonstrate the ambiance and look of the main product featured, unless otherwise stated. All items used to dress the shot are photographer's props and therefore we are unable to advise on them.

Availability

We aim to maintain stock of all items in this brochure at all times. However, the majority of items contained herein are produced in small volume and in specialist circumstances and can therefore be affected by significant lead times. Availability should be checked at the time of ordering and before making any commitment to installation.

Measurements and specifications

All measurements are given for guidance only. Variation may occur either due to manufacturing tolerances, specification change, error or admission. We reserve the right to change specifications at any time. For this reason, it is recommended to check critical dimensions with BC Designs prior to ordering. BC Designs will not accept any liability where there is no prior written advice of critical requirements.

Bespoke orders

Special orders are only accepted in writing. Delivery periods can not be guaranteed. Cancelling will only be accepted in writing and can only be accepted prior to production or despatch of the item. Bespoke products that are specially ordered, such as painted baths, will not be accepted for return.

Delivery

We use third party couriers and hauliers. All deliveries are FOC (at a cost of over £125 net to BC Designs) to a commercial address, with the exception of overseas and out of area postcodes. At the time of order a confirmation will be sent which will include all delivery information. Deliveries to private addresses and those requiring premium services in excess of those described above will incur additional charges. Please contact our Sales Office with your requirements to obtain a quote. Orders for less than £125 net will incur a carriage charge of £8.95. For further delivery information please visit our website.

Damage in transit

All products supplied by BC Designs are carefully inspected prior to shipping, and every care is taken with packaging to ensure orders arrive in good condition. However, sometimes things can go wrong. As we do not use our own transport there is a limited time in which we can make a claim for any damage in transit against carriers. For this reason, outer packaging should be inspected for obvious signs of damage before accepting delivery and all items should be opened and inspected within 3 days of receipt. We cannot accept claims for damage in transit after this, nor will we accept any responsibility once goods have been passed to a third party without prior inspection.

Returning goods

Items which are unsuitable or not required may be returned subject to the following conditions:

1. BC Designs must be contacted prior to any item being returned and returns documentation obtained. BC Designs will not accept any responsibility where this requirement has not been complied with.
2. The original BC Designs invoice number must be quoted when contacting BC Designs. BC Designs will only deal with the persons to whom the product was originally invoiced.
3. The item to be returned must be in perfect re-saleable condition when received at BC Designs. We will not accept any items for return which have been fitted, used or in a condition other than that which it was supplied.
4. The retail packaging must be unmarked and in good condition. For this reason, it is wise to retain all packaging materials and to open packaging with care.
5. It is not the responsibility of BC Designs to organise or pay for the return of goods in these circumstances.
6. In selecting a suitable method for return consideration should be given to proper insurance as BC Designs cannot accept liability for goods damaged in transit.
7. Responsibility for packaging the item in a suitably robust fashion lies with the sender. If there is any doubt as to what a suitably robust fashion means please contact BC Designs for specific packaging advice.
8. Items damaged in transit will not be accepted for refund/credit.

Claims after installation

No claims will be entertained other than for a genuine manufacturing fault after installation has commenced. Visible marks, scratches, impact damage, discolouration through chemical contamination, etc will not be accepted as genuine manufacturing faults. Proper care should be taken to protect the product from damage during installation and through to commissioning.

Your rights

Any agreement between BC Designs and the Customer shall be subject to and governed by the domestic law of England. No agreement between BC Designs and the customer can be deemed to be binding howsoever proposed or made in the event that such agreement is found to conflict with English law.

Full Terms and Conditions of supply are available on request.

THE BATH MAKERS

bcdesigns

Phone +44 (0)1206 827100
Email sales@bcdesigns.co.uk
Web www.bcdesigns.co.uk

THE BATH MAKERS

bcdesigns

