

## Description

Any number of SNOOP units may be attached to the network at any point using a 4-core cable and offers four analogue 4~20mA outputs each of which may be driven by any number of the 32 sensors providing a peak reading output.

Four relays are available which may be zoned/voted each relay having a selected sensor grouping of any number of sensors. The number of alarms required to switch the alarm relay in any of the four groups is selectable between 1 and 4.

## Operation

To make adjustments to settings: -

- 1 Pressing the MODE button takes the display into set up
- 2 Pressing the  $\uparrow\downarrow$  up or down button moves the field selector arrow indicator
- 3 Pressing SELECT and  $\uparrow\downarrow$  up or down buttons allows adjustment of values
- 4 Pressing MODE and SELECT together changes the screen to normal operating mode

Enter set up mode (see 1).

Select sensor which is to be grouped (see 2) and then (3).

Having selected the sensor number adjust the remaining fields as required (2 and 3).

Repeat for other sensors.

## Screen Information

- S - Sensor Number (1 ~ 32)
- Val - Value % of full scale reading (factory set - 1)
- AL - Alarm activated (opposite appropriate sensor)
- SG - Sensor Group ( 1, 2, 3 or 4)
- VA - Voting alarm selection (1 ~ 4)

420M - 4~20mA output scaling (factory set max)

Four group/voting alarm relays D.P.C.O. per relay rated 5A @ 230v AC (none inductive loads only)

Group 1 - JP1, JP2

Group 2 - JP3, JP4

Group 3 - JP5, JP6

Group 4 - JP7, JP8

Fault relay - SPCO JP13

Four 4~20mA analogue outputs

Output 1 - JP2

Output 2 - JP3

Output 3 - JP4

Output 4 - JP4

Peak reading for any number of sensors

## Indicators

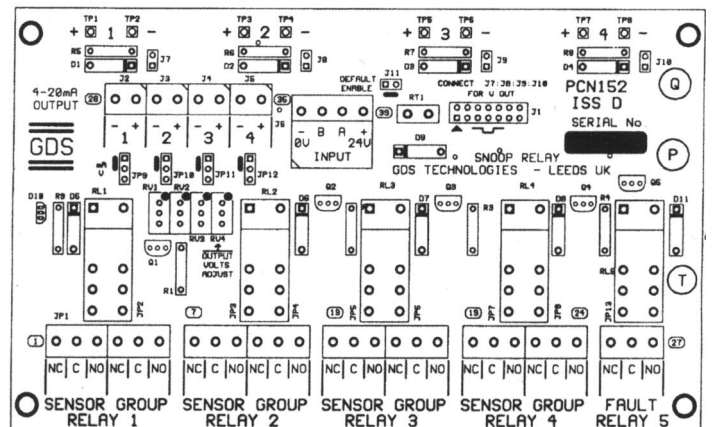
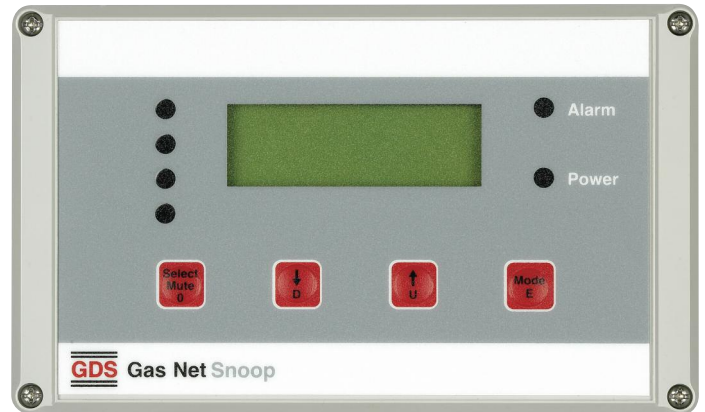
- Power Green L.E.D
- Alarm Red L.E.D
- Display Four line alpha numeric

## Environmental

- Ingress Protection IP65
- Operating Temp -10 + 50°C
- Humidity 0 - 90 RH

## Miscellaneous

- Dimension 200W 120H 60D
- Terminal Connector 4 mm max.
- Sounder Mutable for each alarm
- Permanent mute option



## GDS Technologies Ltd

Fusion Point  
 Ash Lane, Garforth  
 Leeds UK LS25 2GA  
 Tel +44 (0)113 286 0166  
 Fax +44 (0)113 287 8178  
 www.gds-technologies.co.uk