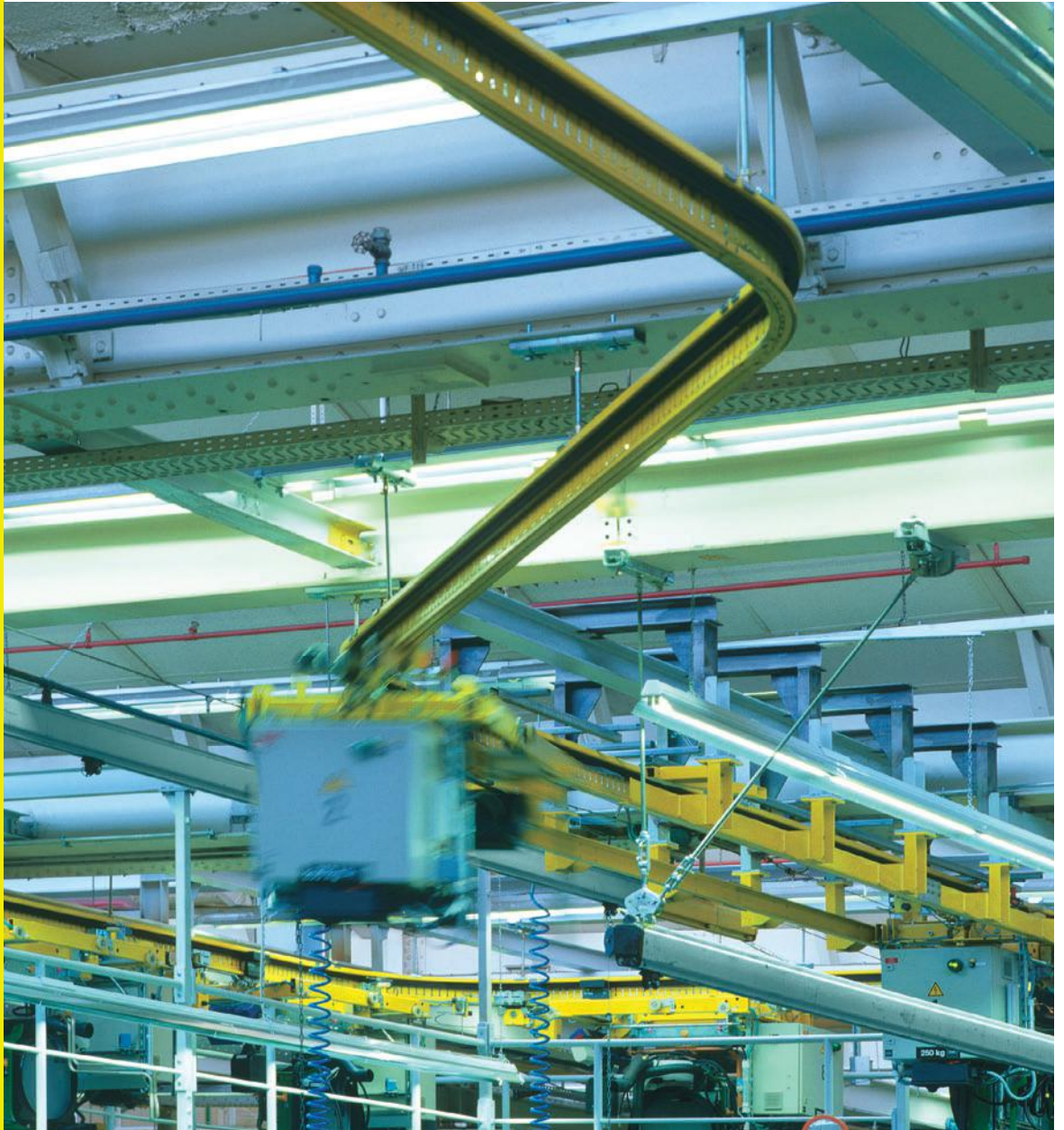


KT 2000 Small Crane Technology – optimised for every application



STAHL CraneSystems | Lifting technology | Drive technology | Control technology

KT 2000 Small Crane Technology from STAHL CraneSystems

Experienced

Over 130 years of tradition, over 130 years of practical approach, competence and experience. STAHL CraneSystems can look back on a history characterised by the constant drive for innovation and important developments. Revolutionary and pioneering in many fields, always receptive to new aspects, we have amassed a wealth of experience that gives us distinct advantages today. Profit from these advantages, from the know-how of one of the world's leading manufacturers of components and systems for overhead transportation. Technically and economically, our products belong to the top flight at international level.

Flexible

The majority of goods transported in overhead material flow is in the lower to medium load range. STAHL CraneSystems developed the innovative small crane technology KT 2000 as early as 1984. This high-quality modular system is specially designed for the maximum working load range up to 2,000 kg. With a single rail size, overhead monorails, suspension and overhead travelling cranes can be assembled individually and economically. Straight and curved sections and crossovers, switch points and turntables are assembled with plug and bolt elements and can thus be modified if necessary to suit new, individual production requirements. No welding is required. From simple applications up to complex automated material flow solutions, KT 2000 is the forward-looking and cost-effective system. STAHL CraneSystems offers you the complete programme for overhead transportation in the lower and medium S.W.L. range. When selecting the system best suited to you, you will profit from the advice of competent, dynamic crane manufacturing partners and systems manufacturers directly in your area.

- 1876** | Company founded by Rafael Stahl
- 1903** | First electric lifting block
- 1949** | View of the design office
- 1950** | The Electus: first portable electric chain hoist
- 1954** | STAHL after-sales service in Stuttgart
- 1984** | KT 2000 small crane system
- 1988** | Hofratsmühle plant near Künzelsau



1876

1949

1988

Page 04_KT 2000



1984

Page 08_Chain hoists



1903



1950

Page 10_Service



1954

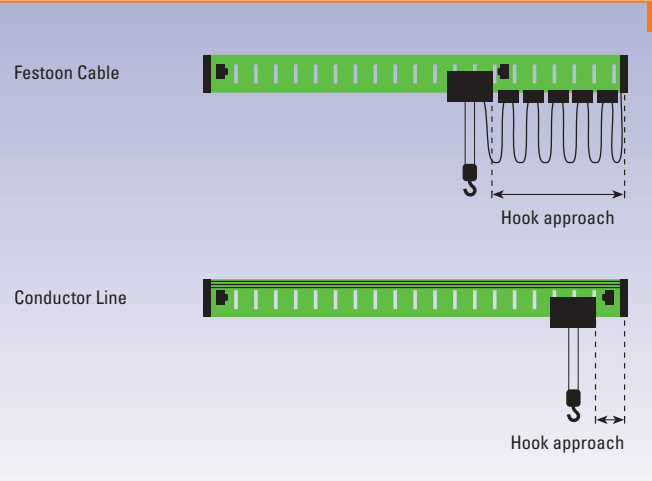


1

- 1 Flexible course _ A motor manufacturer uses this KT 2000 small crane system with 1,000 kg maximum working load. The compact switch points and the bends with only 955 mm radius permit complex material flow.
- 2 John Deere _ In series manufacture of tractors, only low-maintenance systems with maximum availability are used to supply materials to the assembly line.
 - ➔ Ask for our reference brochure "Tractor radiator assembly".
- 3 Minimum approach dimensions _ When conductor lines are used there is no ambush area. The full width and length of the building are utilised; this is of particular advantage on long runways.



2



3

- 4 Accurately positioned _ The optional electric friction-wheel drive for hoist and bridge facilitates working with loads above 1,000 kg or with wide spans.
- 5 Complete small crane technology _ A production area has been equipped with four KT 2000 small cranes on two runways. The power supply for these extremely long runways is provided by the externally mounted conductor line.
- 6 Greater effective height _ The two bridge girders of the KT 2000 double-girder suspension crane are raised up into the crane runway.

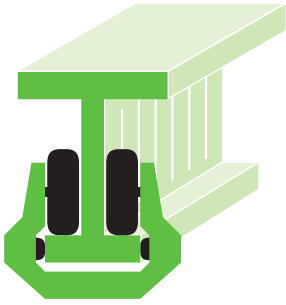


4

5



6



KT 2000 _

versatile, automation-friendly, cost-effective

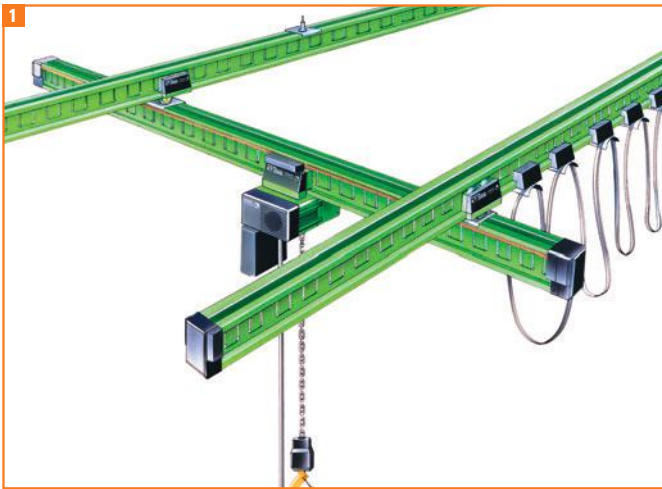
Flexible STAHL CraneSystems' KT 2000 is a small crane system that will hold its own indefinitely whatever your requirements and your growth. This system lifts and transports loads up to 2,000 kg particularly easily and economically. Whether overhead monorails for linear transport or suspension cranes for wide-ranging overhead transportation are needed, this modular system makes anything possible, right up to complex automated material flow solutions. The basic element of the KT system is the maintenance-friendly, open runway rail for both top and bottom running trolleys. Plug and bolt elements ensure simple, fast assembly. This enables the system to be individually adapted to your production and to extensions of the system. The low-maintenance trolley with wheels mounted on the outside

functions easily and smoothly. Travel is optionally by pushing and pulling on the load or by means of the smooth-running electric friction-wheel drive. On the KT 2000, the power supply is usually provided by a conductor line integrated into the system and protected against accidental contact. This permits for example the parallel operation of several suspension cranes on one crane bridge. Powerful original chain hoists from STAHL CraneSystems complete your KT 2000 small crane system perfectly, safely and economically.

- › **Easy maintenance** _ wheels freely accessible
- › **Individual configuration** _ bends, switch points, interlocks
- › **Unique conductor line** _ easily accessible and thus superior to internal conductor lines
- › **Automation-friendly** _ simple implementation with up to eight conductor lines
- › **Flexible** _ bolted joints mean no welding necessary when carrying out modifications

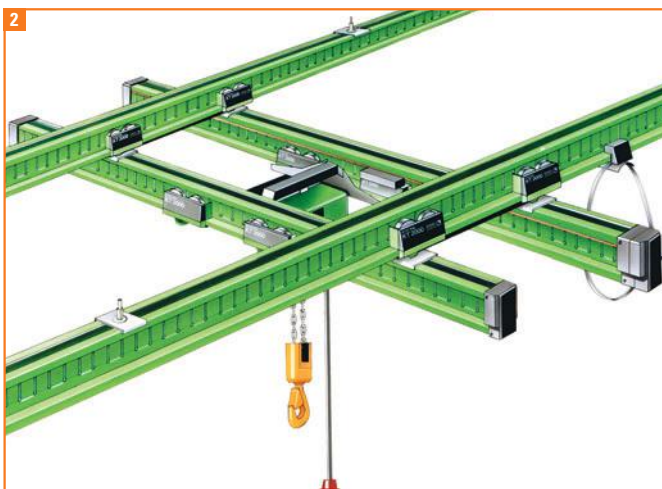
KT 2000 _ flexible range of applications

Single-girder suspension crane



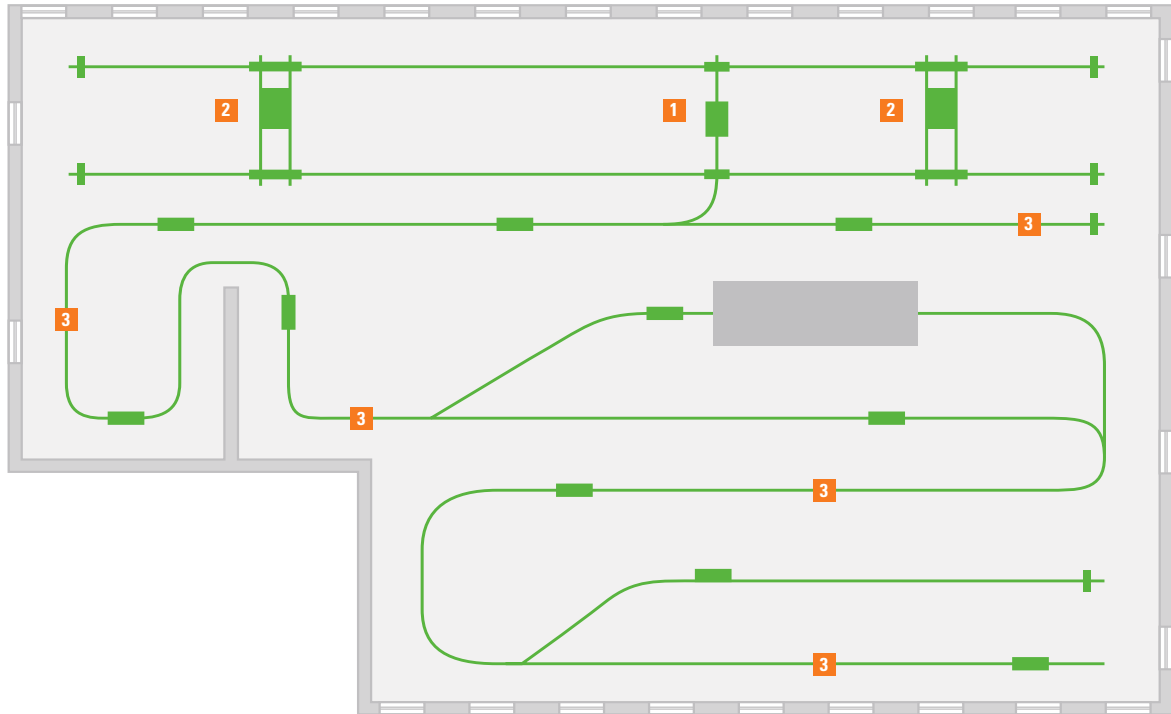
- › **High-capacity** _ designed for maximum working loads up to 1,000 kg
- › **Flexible** _ easily extendable as no welding necessary
- › **Wide-ranging** _ manual or electric crane interlocks for overhead material transport, hoist can cross over from suspension crane to spur runway without setting down load
- › **Safe** _ crane runway and crane bridge rails with pendulum suspension
- › **Ideal** _ system-integrated conductor line for parallel operation of more than one crane on the same crane bridge

Double-girder suspension crane

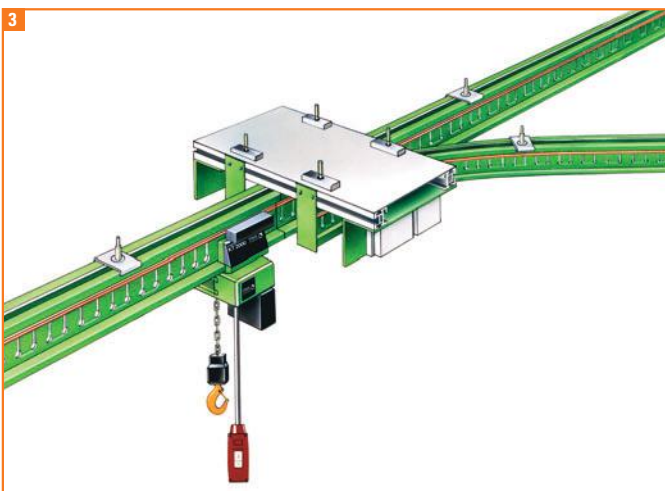


- › **High capacity** _ uniform girder profile, designed for maximum working loads up to 2,000 kg and spans up to 7 m
- › **Ideal** _ greater height of lift as the hoist is suspended between the bridge girders
- › **Flexible** _ can easily be extended and automated with up to 8-pole conductor line
- › **Wide-ranging** _ manual or electric crane interlocks for overhead material transport, hoist can cross over from suspension crane to spur runway without setting down load
- › **Safe** _ crane runway and crane bridge rails with pendulum suspension
- › **Maintenance-friendly** _ the trolleys are visible from outside making inspection simple

Schematic drawing of a complex KT 2000 application



Monorail runway



- **High capacity** _ designed for maximum working loads up to 2,000 kg
- **Flexible** _ easily extendable as no welding necessary
- **Complex** _ continuous, individually adaptable transportation system with straight, curved and crossover sections and switch points
- **Amazing** _ small radius of bend of 955 mm
- **Convenient** _ system-integrated 8-pole conductor line for automating the system
- **Ideal** _ utilisation of full runway length as no festoon cables restrict the approach dimension
- **Mobile** _ travel motion either manual by pushing and pulling the load or powered by a smooth friction wheel drive
- **Wide-ranging** _ crane interlocks enable the hoist to cross over from monorail to suspension crane without setting down the load

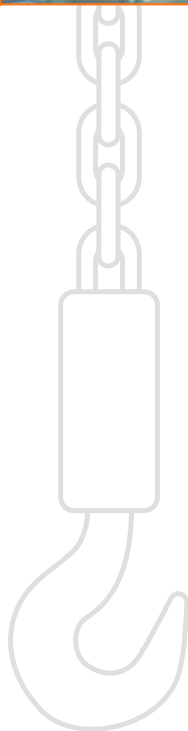


1



2

- 1 The ST05 chain hoist from STAHL CraneSystems for maximum working loads up to 630 kg.
- 2 The ST10 chain hoist from STAHL CraneSystems for maximum working loads up to 1,000 kg.
- 3 The ST20 chain hoist from STAHL CraneSystems for maximum working loads up to 2,000 kg.



3

The ST chain hoists _ safe and reliable

Ideal The ST chain hoist programme from STAHL CraneSystems is one of the most striking and wide-ranging on offer in the world. In use in thousands of applications for decades, modernised and optimised over and over again, the STAHL CraneSystems chain hoist is a classic. Powerful, reliable and undemanding as regards maintenance and power consumption. Of the full ST range, three chain hoists, the ST05, ST10 and ST20 for the working load range up to 2,000 kg are available for use with small crane systems. They are used as push or electric trolleys and round off your small crane system perfectly. The innovative and pioneering chain hoist design brings considerable economic advantages. The extremely short headroom optimises the effective hook height and reduces wear on the chain.

- › **Safe** _ patented suspension directly on the chain guide
- › **Ideal** _ short and compact headroom dimensions permit maximum utilisation of space
- › **Long-lived** _ high standard FEM classification
- › **Tough** _ surface-hardened, galvanised and generously dimensioned load chain
- › **Cost-effective** _ long-life brake and low-wear slipping clutch
- › **Maintenance-friendly** _ innovative chain drive
- › **Available fast** _ thanks to modern Kanban production

Type	Max. working load [kg]	2 hoisting speeds [m/min]	Chain falls
ST 0502-8/2	500	4/1	2
ST 1005-8/2	1,000	4/1	2
ST 2010-8/2	2,000	4/1	2



1

- 1 | Service engineers being trained by STAHL CraneSystems directly on the actual hoist.
- 2 | Regular instruction and advanced training of crane manufacturing partners and systems manufacturers by STAHL CraneSystems in our own training centre.
- 3 | Central spare parts warehouse in the Künzelsau-Hofratsmühle plant.
- 4 | Modern diagnosis apparatus supports the service engineers in inspection and maintenance work.



2



3



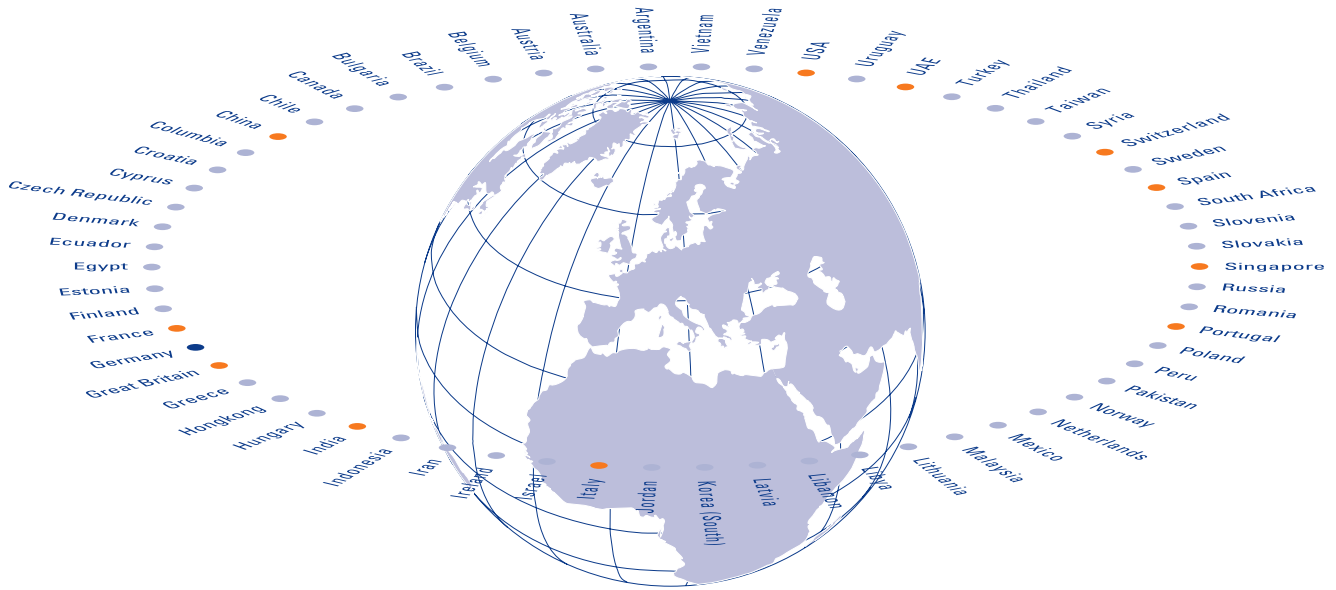
4

Service _ world-wide, from competent crane manufacturing partners

Responsible STAHL CraneSystems is a by-word for safety, confidence and cost-effectiveness. We are therefore committed exclusively to capable, professional crane manufacturing partners and systems manufacturers. You can expect maximum support from them when your individual crane system with components from STAHL CraneSystems is at stake. Planning, calculation and order processing are fast. The competent service specialists of our partner companies continue to assist you even after your system has been erected – both in system-orientated inspection and maintenance, spare parts supply and with training courses. In this respect, STAHL CraneSystems offers a perfectly coordinated service.

We always keep our regional crane manufacturing partners up to date with training courses, seminars and information material. You too can profit directly from our know-how. We impart practical and theoretical knowledge in our own training centre or on your premises. The seminars on offer in the form of individual, basic and advanced courses cover all main product groups. However we would also be pleased to match a special programme to your individual specifications and requirements. So why not invest in the qualification of your staff and take advantage of our seminar programme.

- › **On the spot** _ experienced crane manufacturing partners and systems manufacturers where you are
- › **Perfect** _ all crane components from one qualified supplier, STAHL CraneSystems
- › **Competent** _ crane manufacturing partners trained regularly by STAHL CraneSystems in our own training centre
- › **Progressive** _ condition monitoring devices from STAHL CraneSystems ensure safe operation, modern diagnosis apparatus enables customised servicing to be offered
- › **Guaranteed** _ spare parts supply through crane manufacturing partners even decades after the series has been discontinued



● **Subsidiaries**

China
Shanghai
Tel +86 21 66083737
Fax +86 21 66083015
info@stahlcranes.cn

India
Chennai
Tel +91 44 43523955
Fax +91 44 43523957
indiasales@stahlcranes.in

Singapore
Singapore
Tel +65 62712220
Fax +65 63771555
sales@stahlcranes.sg

United Arab Emirates
Dubai
Tel +971 4 8053700
Fax +971 4 8053701
info@stahlcranes.ae

France
Paris
Tel +33 1 39985060
Fax +33 1 34111818
info@stahlcranes.fr

Italy
S. Colombano
Tel +39 0185 358391
Fax +39 0185 358219
info@stahlcranes.it

Spain
Madrid
Tel +34 91 4840865
Fax +34 91 4905143
info@stahlcranes.es

USA
Charleston, SC
Tel +1 843 7671951
Fax +1 843 7674366
sales@stahlcranes.us

Great Britain
Birmingham
Tel +44 121 7676400
Fax +44 121 7676485
info@stahlcranes.co.uk

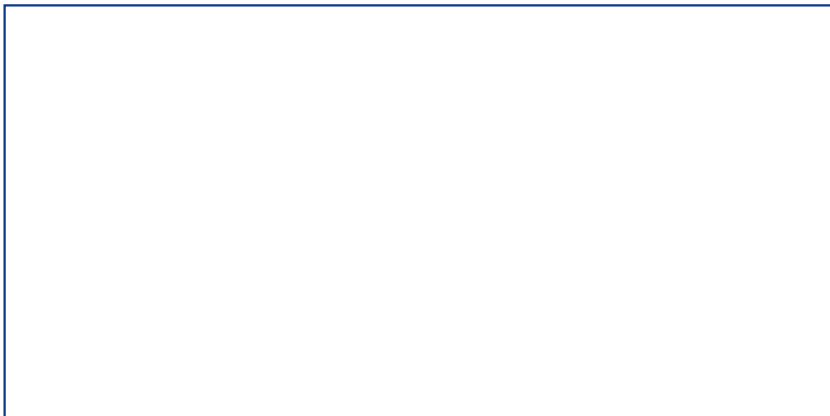
Portugal
Lisbon
Tel +351 21 4447160
Fax +351 21 4447161
ferrometal@ferrometal.pt

Switzerland
Däniken
Tel +41 62 8251380
Fax +41 62 8251381
info@stahlcranes.ch

● **Sales partners**

You will find the addresses of over 100 sales partners on the Internet at www.stahlcranes.com under Contact.

Distributed by



STAHL CraneSystems GmbH
Daimlerstr. 6, 74653 Künzelsau, Germany
Tel +49 7940 128-0, Fax +49 7940 55665
marketing@stahlcranes.com

➔ www.stahlcranes.com

