

Astralite Minor Surgical Lamps

Real Operating Lamps for Minor Surgery



● **Large Movement Range**

● **Daylight Colour**

● **5-Rotations**

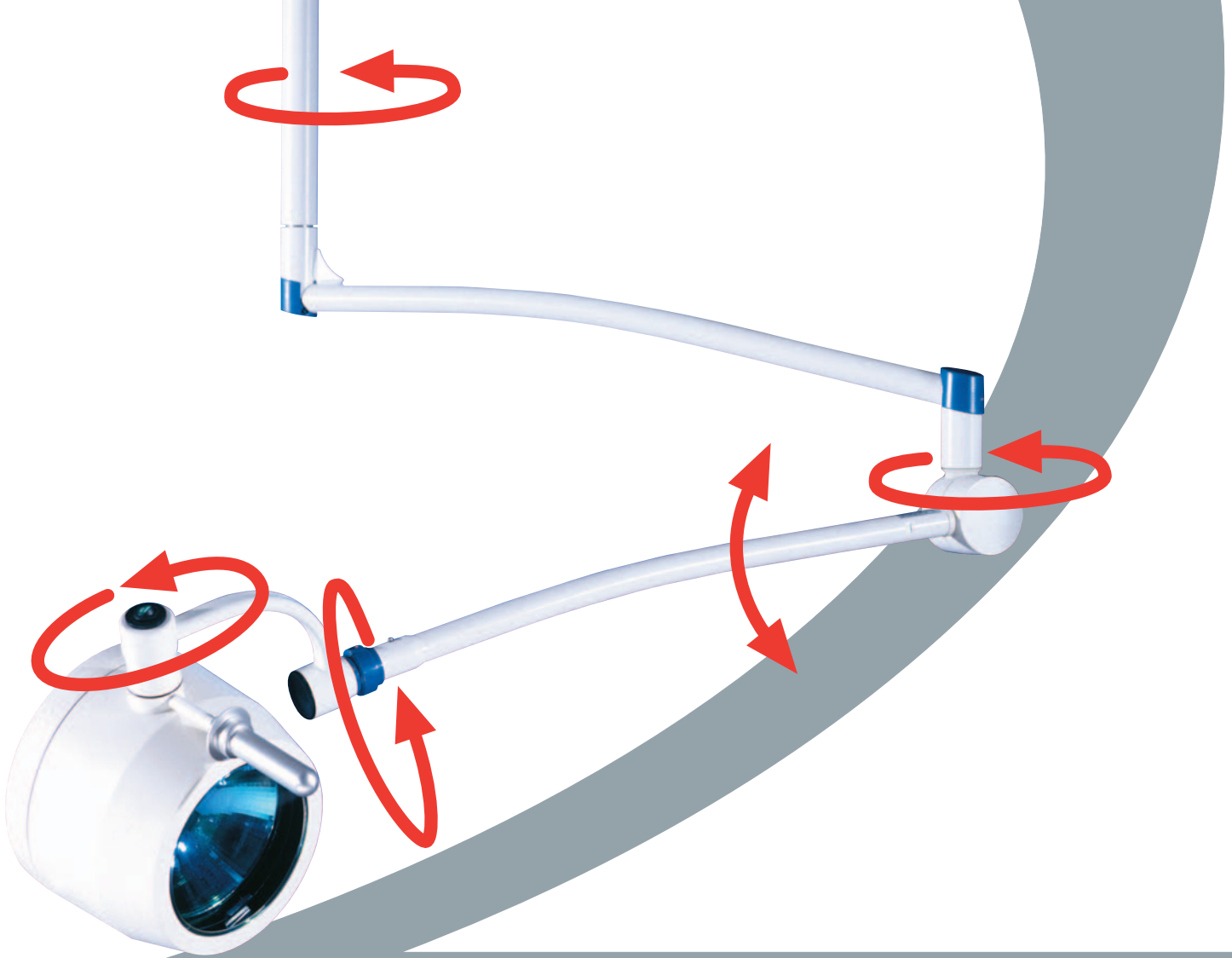
● **Intense Cool Light**

● **Shadow Reduction**

● **Anti-Microbial incorporating Polygiene®**



Safer to Touch



AL50C Ceiling Mounted Models



On/Off switch

An on/off switch is conveniently positioned on the side of the lamp head for easy access



Sterilisable Handle

Sterilisable Handle covers (each unit supplied with one cover)

Astralite - Real Operating Lamps for Minor Surgery

Astralite minor surgical lamps are unique to the market place. They are designed as smaller versions of our major operating lamps to offer the same features demanded by surgeons. Astralite uses many of the same components used in our operating lamps to provide surgical quality illumination on an elegant multi-movement arm mechanism capable of positioning the lamp within an exceptionally wide envelope of movement and is the first light of its type to incorporate anti-microbial technology.



Large Movement Range

Astralite is designed so that the lamp head can be positioned all the way around the couch to examine all parts of the patient



Intense Cool Light

Excellent illumination, high intensity light with heat filtering to prevent tissue damage and discomfort (45,000 Lux @ 1.0 metres)



Daylight Colour

Colour corrected to daylight for accurate visualisation without colour distortion



Shadow Reduction

Multi-faceted CCP reflectors reduce shadow effects to under-light obstructions during procedures



5-Rotations

5-Rotations allow easy positioning of the lamp beam from any angle



Anti-Microbial incorporating Polygiene™

Incorporating Polygiene™ anti-microbial technology to destroy harmful bacteria, viruses and yeasts including MRSA.

AL50M Mobile Trolley Models



Typical Applications

Vasectomy	Accident & Emergency	Dermatology Procedures	Research Laboratories
Catheter Labs	G.P. Treatment Rooms	Anaesthetic Rooms	Day Surgery Rooms
Prolonged Examination	Orthodontic Surgery	Delivery and Obstetrics	Mortuary
Chiropody	Podiatry	Wound Repair	Gynaecology

Gynaecological Examination

Most examination lamps are much too small to reach into the correct position to illuminate gynaecological procedures. The Astralite has been specifically designed so that the ceiling, mobile and wall mounted versions can all be positioned for gynaecology. The excellent lighting characteristics, combined with vast range of movements make Astralite ideal for this application.

Ceiling Mounted Model



Mobile Trolley Model



AL50W Wall Mounted Model



Brandon Medical – Brilliant by Design

Brandon Medical are experts in the field of medical lighting design with over 40 years of healthcare experience. The Company manufactures and markets a wide range of medical lighting products, from major operating theatre lights through to bed head lights. Brandon has a strong reputation for research and innovation, having won numerous international awards for design. Brandon products are in use throughout the world and are supported by an extensive distributor network.

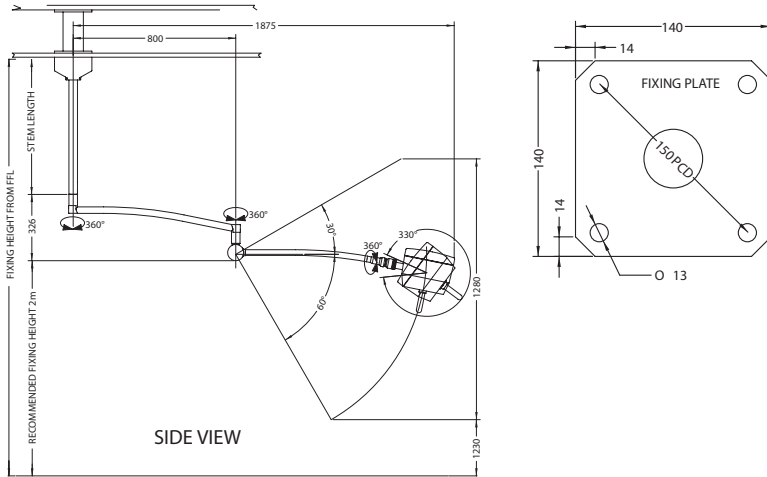
It is the company's aim to deliver the best possible customer service, excellent quality and the most advanced products. Brandon Medical's policy is simply to be "Brilliant by Design".

**For more information
about Brandon products
call 0113 277 7393**



Astralite Minor Surgical Lamps are manufactured to ISO9001 and ISO13485 quality systems, IEC 60598-2-25, BS EN 60601-1/2 Safety and EN55015 EMC standards. The units are CE marked in compliance with EU and British Safety legislation (including Department of Health and Safety Action Bulletins). The CE mark is your guarantee that Astralite Minor Surgical Lamps meet or exceed all European Union requirements for Minor Surgical Lamps.

Astralite Technical Information



AL50C Ceiling Model

- For fixing heights between 3000mm and 2600mm select model AL50CA
- For fixing heights less than 2600mm but more than 2450mm select model AL50CB
- For fixing heights less than 2450mm, select model AL50CC
- Ceiling cavity spacers can be provided for fixing heights in excess of 3000mm

Net Weight	11.5kg
Packed Weight	14.5kg
Packed Volume	0.16m ²

AL50 Mobile Model

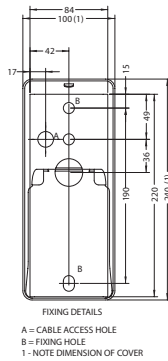
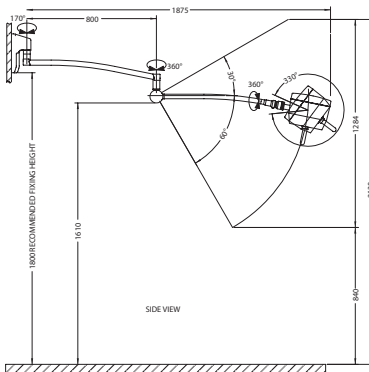
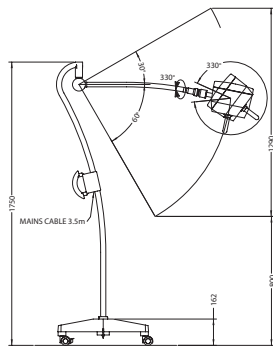
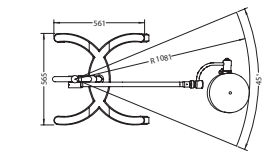
Mobile models are fitted with 4 anti-static castors, 2 of which are lockable. The only tool required for assembly is a cross head screw driver.

Net Weight	20kg
Packed Weight	21.5kg
Packed Volume	0.21m ²

AL50W Wall Model

Recommended fixing height 1800mm above finished floor level.

Net Weight	8.7kg
Packed Weight	9.6kg
Packed Volume	0.12m ²



Photometric Data

Light Intensity		Illuminated Field Size		Colour Temperature	Lamp Life
@ 0.8m	@ 1.0m	@ 0.8m	@ 1.0m	4300 °K	1500 hours
65,000 Lux	45,000 Lux	140mm	170mm		

Electrical Data

Power Rating	Input Voltage*	Operating Voltage	Lamp Type	Hygienic Seal
50W	230V a.c.	23V a.c.	Tungsten Halogen	IS54

*All world wide input voltages are available

S.E.L.V. (Safety Extra Low Voltage) Applications

SELL models with an input voltage of 24V are available in ceiling and wall mounting models. These units require an external 24V power supply.



Brandon Medical, Holme Well Road, Leeds LS10 4TQ
 Tel: +44 (0)113 2777 393 Fax: +44 (0)113 2728 844 Email: enquiries@brandon-medical.com
www.brandon-medical.com

In line with the Brandon policy of progressive improvement, the right is reserved to alter specifications and/or prices without notice.
 Polygiene is a registered trademark of Perstorp AB.