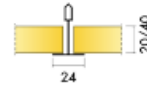


Ecophon Hygiene™ Performance A



For use in areas with slight amounts of soiling, where frequent cleaning is required. Ecophon Hygiene Performance A has an exposed grid system. Each tile is demountable. The corrosion protected Connect suspension grid system should be used.

SYSTEM AND PRODUCT DESCRIPTION

The systems consist of Ecophon Hygiene Performance A tiles and Ecophon Connect C3 grid systems, with an approximate weight of 3-4 kg/m². The tiles are manufactured from high density glass wool. The visible surface has a reinforced Akutex T coating with improved cleanability and water repellent properties. The back of the tile is covered with glass tissue. The edges are primed. The grid is manufactured from laquered galvanized steel. For best performance and system quality, use Ecophon Connect grid and accessories.

SYSTEM RANGE

Size, mm	600	1200
T24	X	X
Thickness	20/40	20/40
Inst. diagr.	m127	m127



Hygiene Performance A tile



Section of Hygiene Performance A 20 mm



Section of Hygiene Performance A 40 mm



Hygiene Performance A system

ACCESSIBILITY: The tiles are demountable. Minimum demounting depth according to installation diagrams. The tiles are secured using Hygiene Clip 20 (40) to allow for effective in-situ cleaning. The clips are easily removable from above the ceiling. A tightly sealed, easy-to-open Hygiene Inspection hatch is available to simplify access to the ceiling void.

CLEANABILITY: Daily dusting and vacuum cleaning. Weekly wet cleaning and high-pressure washing twice a year. Can withstand the use of common disinfecting chemicals.

LIGHT EFFICIENCY: White 010, nearest NCS colour sample S 0502-Y, 84% light reflectance (of which more than 99% is diffuse reflection).

INFLUENCE OF CLIMATE: The tiles withstand a permanent ambient RH up to 95% at 30°C without sagging, warping or delaminating (ISO 4611). A higher temperature/moisture is permissible during washing.

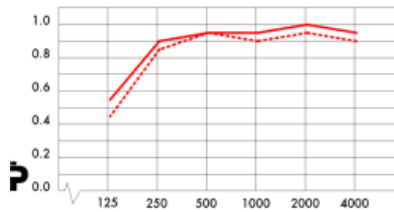
INDOOR CLIMATE: Certified by the Indoor Climate Labelling, recommended by the Swedish Asthma and Allergy Association, and can be used in rooms classified as ISO class 5/M2.5.

ENVIRONMENTAL INFLUENCE: Granted the Nordic Swan eco-label. Fully recyclable.

ACOUSTICS:

SOUND ABSORPTION: Test results according to EN ISO 354. Classification according to EN ISO 11654, and the single value ratings for NRC and SAA according to ASTM C 423.
SOUND INSULATION: $D_{n,f,w}$ =28 dB for 40 mm thickness according to ISO 10848-2 and evaluation according to ISO 717-1. CAC=30 dB for 40 mm thickness according to ASTM E 1414 and evaluation according to ASTM E 413.
SOUND PRIVACY: AC(1.5)=190 for 40 mm thickness and 170 for 20 mm thickness according to ASTM E 1111 and E 1110.

α_p Practical sound absorption coefficient



Frequency, Hz

--- Ecophon Hygiene Performance A, 200 mm o.d.s.
 — Ecophon Hygiene Performance A, 400 mm o.d.s.
 o.d.s = overall depth of system

Product	Hygiene Performance A 20		Hygiene Performance A 40	
	mm		mm	
O.d.s. mm	400	200	400	200
Absorption class	A		A	
NRC	0.85	0.95	0.95	0.95
SAA	0.88	0.93	0.93	0.98

FIRE SAFETY: Reaction-to-fire classifications.

Country	Standard	Class
UK	BS 476 Parts 6&7	Class 0
Europe	EN 13501-1	A2-s1,d0

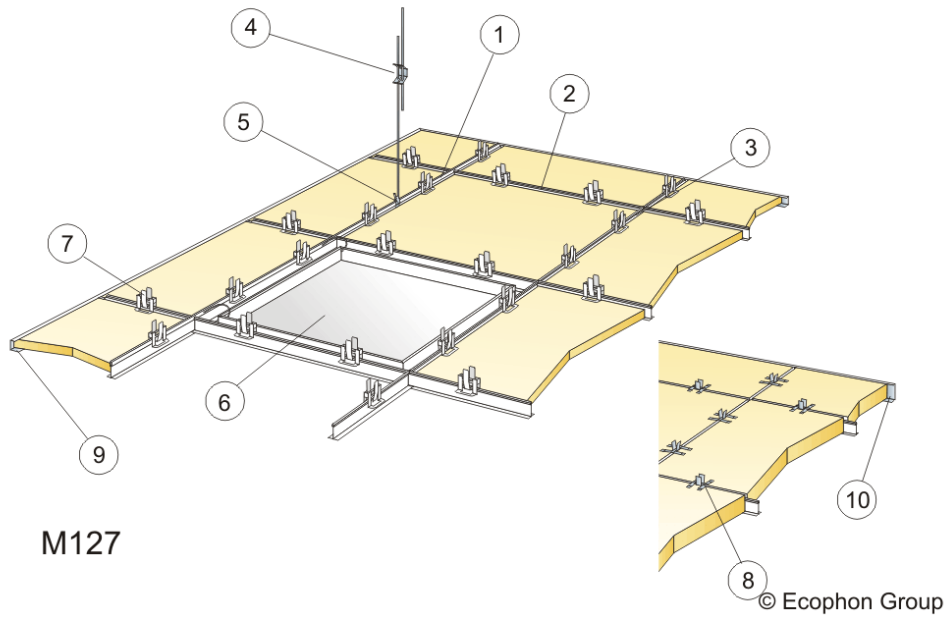
The glass wool core of the tiles is tested and classified as non-combustible according to prEN ISO 1182. The systems are classified as fire protective covering according to NT FIRE 003. See Functional demands, Fire safety.

MECHANICAL PROPERTIES: For information regarding live load and requirements for load bearing capacity, see installation diagrams. Conditions: See Functional demands, Mechanical properties.

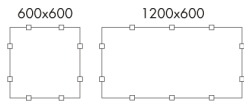
INSTALLATION: Installed according to installation diagram M127, which includes information regarding minimum overall depth of system. For in-situ cleaning Hygiene Performance must always be secured with clips. The installation work should include the provision of a Hygiene Inspection hatch. Cut edges must be sealed with Connect Edge paint 0691. Penetrations must be sealed with a silicon based anti-fungicide sealant.

www.ecophon.co.uk, CADsupport, Product selector, Specification, Maintenance manual

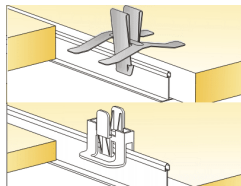
INSTALLATION DIAGRAM (M127) FOR HYGIENE PERFORMANCE A (20 AND 40 MM)



M127



Arrangement of clips

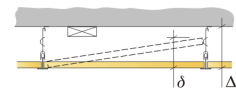


Clips for keeping tiles in position

Inst. diag., Size (mm)	Max live load capacity (N)	Min load bearing capacity (N)
1200x600	40	160
600x600	40	160

Live load/Load bearing capacity

Min. overall depth of system: 150 mm (both 20 and 40 mm)



Min. demounting depth: Thickness 20 mm: 150 mm
Vertical measurements

Quantity specification (excl. wastage)

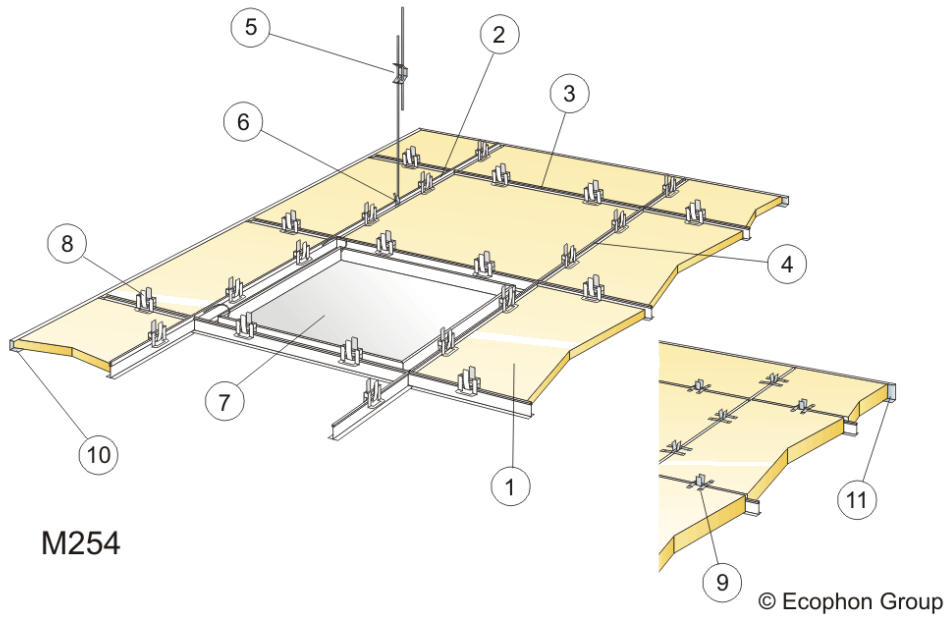
	Size, mm	
	600x600	1200x600
Hygiene Performance A	2.8/m ²	1.4/m ²
1 Connect T24 Main runner C3 9101, installed at 1200 mm centres	0.9 m/m ²	0.9 m/m ²
2 Connect T24 Cross tee C3 9102, L=1200 mm, installed at 600 mm centres	1.7 m/m ²	1.7 m/m ²
3 Connect T24 Cross tee C3 9103, L=600 mm	0.9 m/m ²	-
4 Connect Adjustable hanger, installed at 1200 mm centres (max. distance from wall 600 mm)	0.7/m ²	0.7/m ²
5 Connect Hanger clip	0.7/m ²	0.7/m ²
6 Connect Hygiene Inspection (not fire resistant)	as required	as required
7 Connect Hygiene clip 20 0172	11/m ²	7/m ²
8 Connect Hygiene clip 40 3254	11/m ²	7/m ²
9 Connect Channel trim C3 3532 (for 20 mm thickness)	as required	as required
10 Connect Channel trim C3 3465 (for 40 mm thickness)	as required	as required

ECOPHON HYGIENE PERFORMANCE A



Quantity specification (excl. wastage)	Size, mm	
	600x600	1200x600
Hygiene Performance A	2.8/m ²	1.4/m ²
2 Connect T24 Main runner, c1200	0.9 m/m ²	0.9 m/m ²
3 Connect T24 Cross tee, L=1200, c600	1.7 m/m ²	1.7 m/m ²
4 Connect T24 Cross tee, L=600	0.9 m/m ²	-
5 Connect Adjustable hanger, c1200 (max distance from wall 600mm)	0.7/m ²	0.7/m ²
6 Connect Hanger clip	0.7/m ²	0.7/m ²
7 For direct installation: Connect Direct bracket, installed at 1200 mm centres	0.7/m ²	0.7/m ²
8 Connect Angle trim, fixed at 300 mm centres	as required	as required
9 Connect Hygiene clip 20	11/m ²	7/m ²
10 Connect Hygiene clip 40	11/m ²	7/m ²
11 Connect Inspection panel C1	as required	as required
12 Connect Perimeter tile clip	1per every 300-400 mm cut tile facing wall trim	1per every 300-400 mm cut tile facing wall trim

ECOPHON HYGIENE PERFORMANCE A



M254

© Ecophon Group

Quantity specification (excl. wastage)

	Size, mm	
	600x600	1200x600
Hygiene Performance A	2.8/m ²	1.4/m ²
2 Connect T24 Main runner C3, c1200	0.9 m/m ²	0.9 m/m ²
3 Connect T24 Cross tee C3, L=1200, c600	1.7 m/m ²	1.7 m/m ²
4 Connect T24 Cross tee C3, L=600	0.9 m/m ²	-
5 Connect Adjustable hanger C3, c1200 (max distance from wall 600mm)	0.7/m ²	0.7/m ²
6 Connect Hanger clip	0.7/m ²	0.7/m ²
7 Connect Hygiene inspection C3	0.7/m ²	0.7/m ²
8 Connect Hygiene clip 20	11/m ²	9/m ²
9 Connect Hygiene clip 40	11/m ²	9/m ²
10 Connect Channel trim C3 (for 20 mm products)	as required	as required
11 Connect Channel trim C3 (for 40 mm products)	as required	as required

ECOPHON HYGIENE ADVANCE A



Quantity specification (excl. wastage)

Size, mm

Hygiene Performance A

1200x600

ECOPHON HYGIENE PERFORMANCE A



Quantity specification (excl. wastage)	Size, mm	
	600x600	1200x600
Hygiene Performance A	2.8/m ²	1.4/m ²
2 Connect T24 Main runner C4, c1200	0.9 m/m ²	0.9 m/m ²
3 Connect T24 Cross tee C4, L=1200, c600	1.7 m/m ²	1.7 m/m ²
4 Connect T24 Cross tee C4, L=600	0.9 m/m ²	-
5 Connect Adjustable hanger C4 c1200 (max 600 mm distance from wall)	0.7/m ²	0.7/m ²
6 Connect Hygiene clip 20	11/m ²	7/m ²
7 Connect Hygiene clip 40	11/m ²	7/m ²
8 Connect Channel trim C4	as required	as required
9 Connect Demo clips 20 C4, where access is needed	as required	as required
10 Connect Fixing plate C4	0.7/m ²	0.7/m ²
11 Connect Anchor screw C4	0.7/m ²	0.7/m ²
12 Connect Installation screw C4	3.4/lm Channel trim C4	3.4/lm Channel trim C4
13 Silicon based antifungicidal sealant	as required	as required