



Bi-Folding Speed Gates



Bi-Folding Speed Gates

The ES9500 Bi-Folding Trackless Speed Gates are the ideal solution where speed of opening and closing is essential or where space is at a premium. They are designed with high security in mind. The gates have a hinge between the leaves which further assists in the very fast operation speeds. Our gates use a superior integrated control panel and encoder which allows for a fast, smooth direct drive action. This is unique to other's old fashioned models.

ES9500A

- The ES9500 Bi-Folding Trackless Speed Gates are the ideal solution where speed of opening and closing is essential or where space is at a premium.
- The ES9500 bi-folding trackless speed gates typically open at more than twice the speed of a traditional swinging gate of the same size which ensures a fast throughput of traffic whilst maintaining security of the site.
- The ES9500 utilises a PLC controlled, inverter driven single phase power, supplying a 3 phase motor, worm and wheel gearbox with a direct-drive shaft connected to the gate leaf, which ensures a smooth and positive movement. ES9500 speed gates are rated for 100% duty cycle i.e. continuous operation.
- The gates are manufactured using a RHS steel frame and CHS tubular steel infills. A wide range of alternate infills are available to suit customers requirements and to match adjoining fencing design. Also available are spiked tops, warning lights and sirens if required.
- The gates are supplied with a control cabinet which is mounted in the main pillar of the gate.



BS/EN 12543 Compliant

Four Profile Safety Edges Provided, each consisting of 2 parallel electrically conducted rubber strips. These are connected to the main control panel by two cables, which are Category 3 monitored. Messages will be transmitted to the necessary safety edges instructing the gate to be stopped, regardless of its current operation.

All gates are delivered ready to bolt down and connect power too.

Optional extras:

- Razor Wire Extensions
- Electric Fence
- Anti-Climb Spikes
- Traffic Lights
- Warning Siren
- Timber Infills
- Louvre Infills

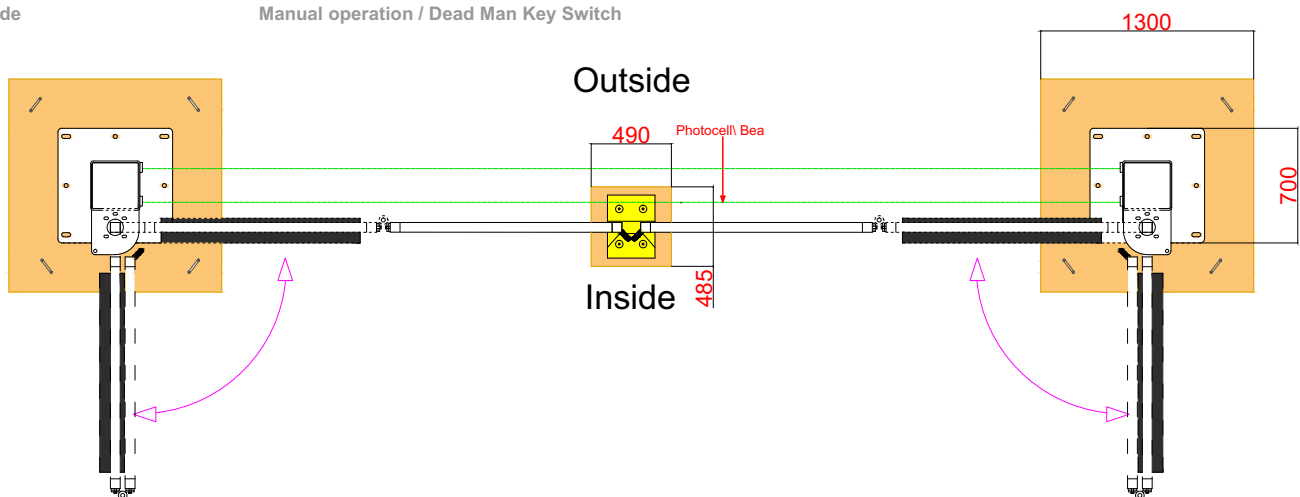




Bi-Folding Speed Gates



Maximum Span	8 Metres drive - through
Opening / Closing Time	4.0 to 8.0 Seconds (Adjustable)
Drive Unit	0.75KW's 3 Phase 2 stage gearbox
Power Supply	SINGLE Phase 230v 50Hz 10.0Amps
Finish	Aluminium Powder Coated / 2K PU Finish
Safety Features	Cat3 Monitored Safety Edges
Infill's	Mesh / Tube / Palisade / Louvre
Cycles	100% Continuous Duty Cycle Rating
Control Panel	FEIG TST FUZ B Encoder positioning
Max Height	2.4m (max width 8.0m) 3.0m (max width 3.5m)
Auxiliary Power	12v or 24v max 500mA
Infill's Dimensions	Std - 30mm square bar x 6mm wall thickness
Ambient Humidity	-10 ~ 60 Degrees Centigrade
Control Panel IP Rating	IP65
Fixings	M16 / M20 Anchor Shield Bolts Included
Override	Manual operation / Dead Man Key Switch



O&M Manual



Drawing



Video available on website