

4000 series



Features

- **NEW** design, makes recoding simple & error-free
- DDA Compatible
- 12 Digit keypad
- Full size lever handles
- Clutched keypad handle
- Fully reversible
- Free access feature
- Special plate for bolt through fixing
- PVD coated - Lifetime guarantee on finish
- Compatible with 2000 fixing point, ideal for upgrade

4000 Blk Front

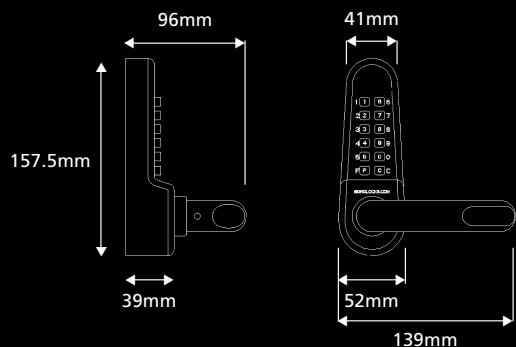


Satin Chrome



Black





4101 Blk Back



4001 SC Back

The 4000series are medium duty mechanical access controls, they have exactly the same fixing centres as 2000 models which make them ideal for 'upgrade', simply remove 2 screws and replace with the 4000 model. Apart from a full size lever handle the 4000 has a host of extra features including; clutch protection, optional free passage, DDA compatible, embossed buttons, and a 12 digit keypad.

The 4000 series is supplied with either a 60mm backset tubular latch (4001) or a 60x72mm Euro profile sash lockcase (4000)



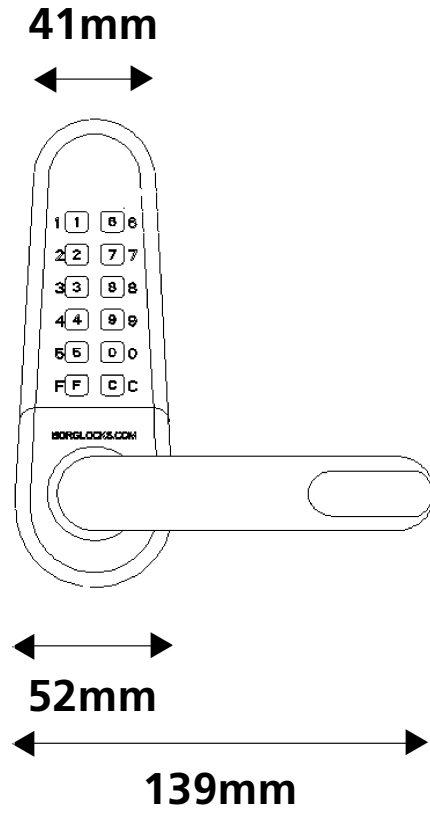
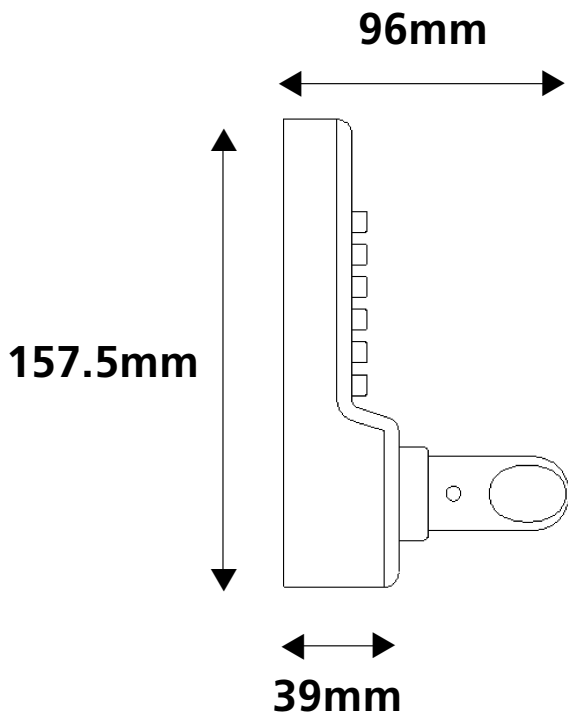
4001 SC Front



+44 (0)1277 210 644

Fax: +44 (0)1277 210 643

www.borglocks.com



4000

