

6000 series



Features

- Sequential Coding
- Weatherproof
- Free acting keypad handle until correct code is entered
- Free passage feature
- PVD Coded
- Reversible
- 2 year guarantee
- UNIQUE upward action for multi point locking
- 2 Designs available

6000 Front

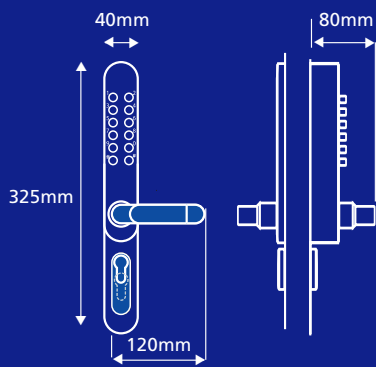


Satin Chrome

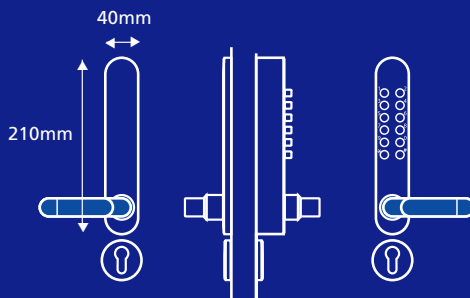


White





6100 Front



6000 Back

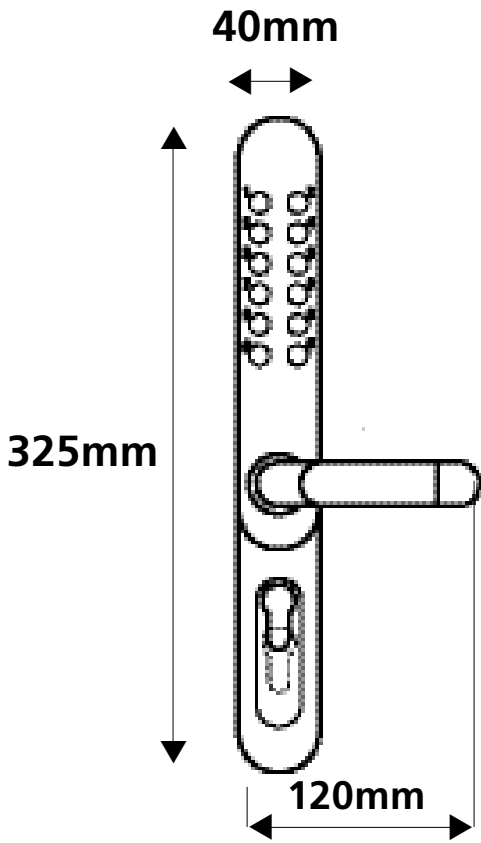


6100 Front

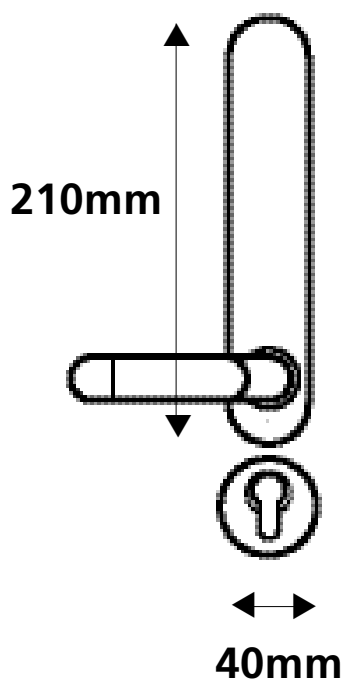
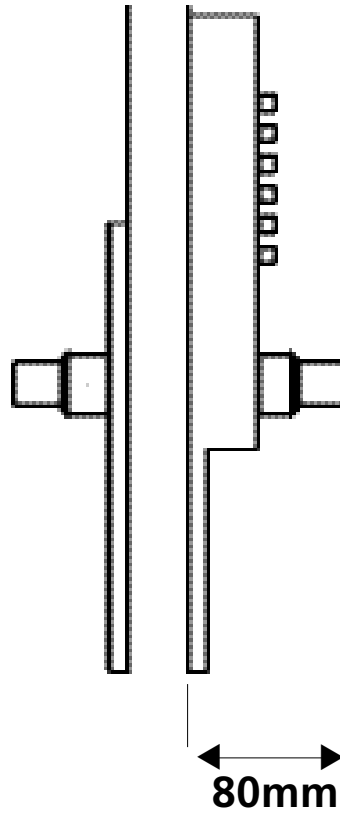


6000 Back

A new design of mechanical pushbutton coded lock for medium to heavy duty usage. Sequential coding ensures greater security, and simple code changing prevents any code changing errors. With its slim shape and having an upward action, it has been designed to work with a range of multi-point locks. It has an 8mm square drive so it can also work with many different brands of locks, making it ideal for retro fitting. It is permanently clutched making the handle free swinging until the correct code is entered, reducing the risk of misuse or abuse. It is suitable for either hand of door, by a simple lift and twist operation. It has a free passage feature, but when security is required there are more than 2500 sequential codes to choose from. There are 2 models in this range: the 6000 which is supplied with a separate escutcheon and the 6100 which is supplied with a sliding escutcheon suitable for 70, 72 & 92 centres.



6100 Front



6000 Back

