

7000 series



7000 Front

Features

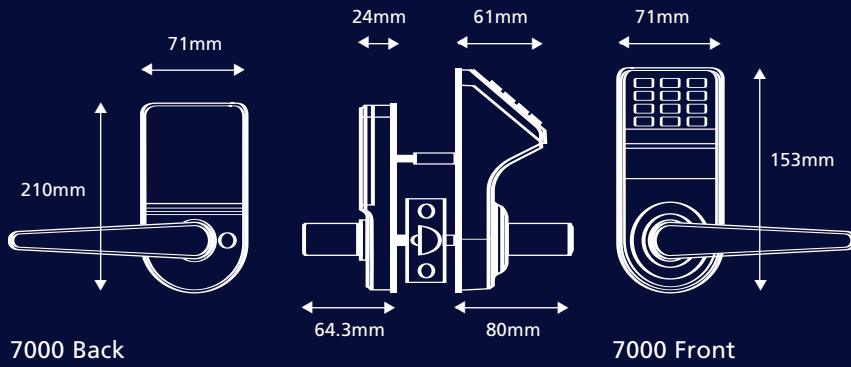
- Clutched
 - 60/70mm Latch available
 - Suitable for 30 - 54mm Doors
 - Free Passage
 - Key Override
 - Lever Handle
 - Simple Code Changing
 - Battery Operated
-
- Reversible
 - Unconditional Guarantee Against Faulty Material & Workmanship
 - 2 Year Guarantee
 - Sequential Coding



Satin Chrome

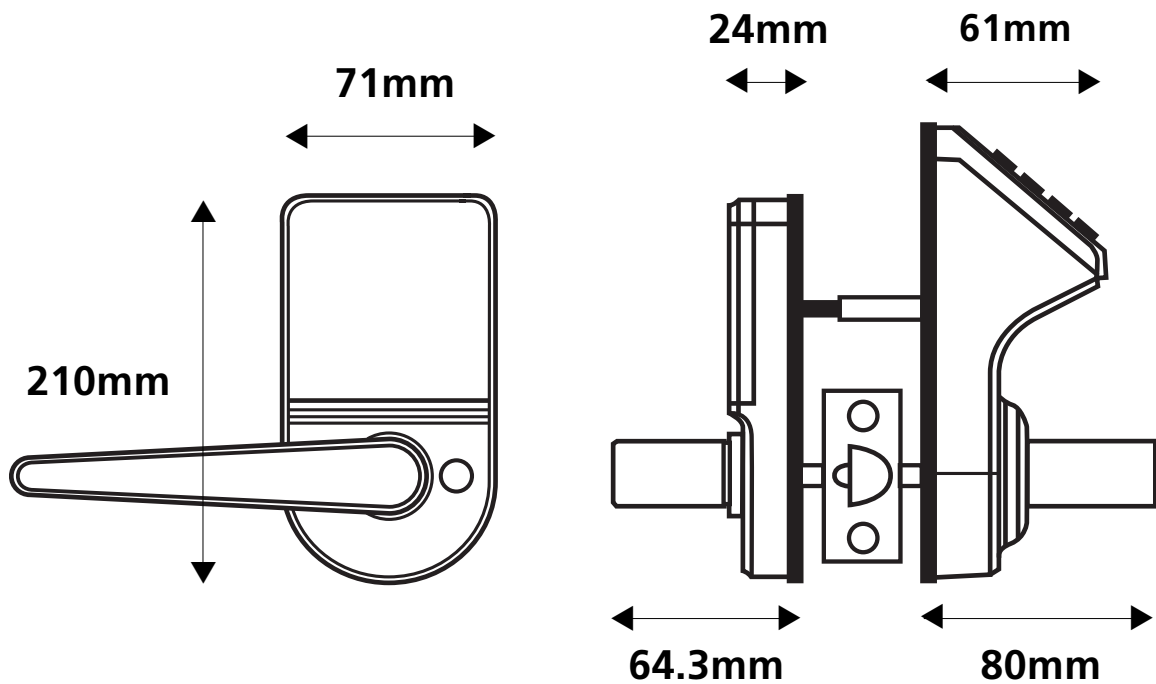


Electronic

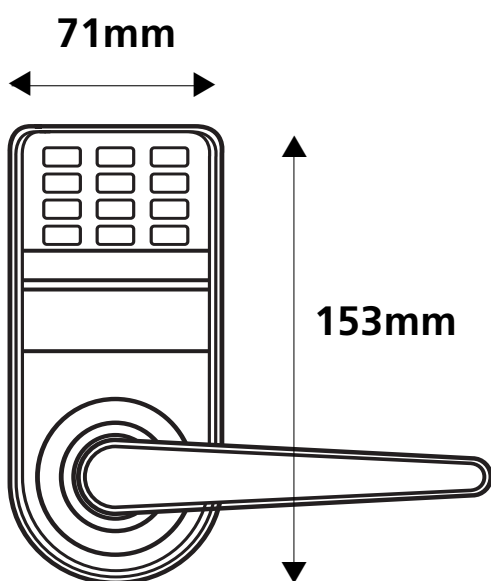


A stand alone battery powered electronic pushbutton code lock. This lock has a cast steel construction and stainless steel key pad for durability and strength and is supplied with a 60mm (70mm also available from stock) stainless steel latch with anti-thrust pin. It can suit door thickness from 30 to 54 mm and can be reversed to suit either left or right hand doors. It has a key override for extra control and for emergency access.

There are 31 different user codes in the standard unit with 1 master code, and there is a free passage feature when security is not required. To avoid disruption and for convenience the code can be changed on the door.



7000 Back



7000 Front

