

9000 series



Features

- Clutched Handle
- 60mm Latch
- 70mm Latch
- Free Passage Feature
- Simple Code Changing
- Reversible
- Recognise up to 30 Different Fingerprints

9000 Front



Satin Chrome



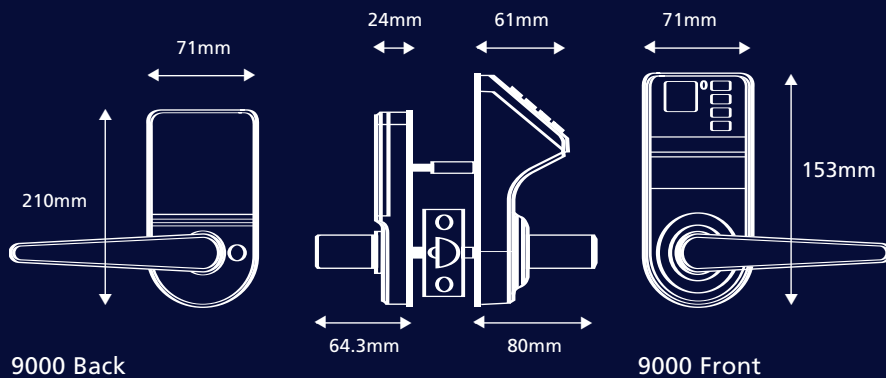
Electronic



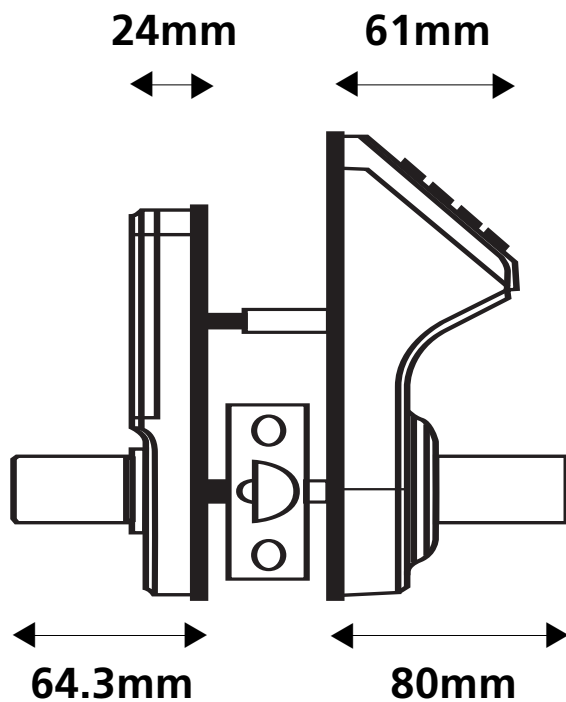
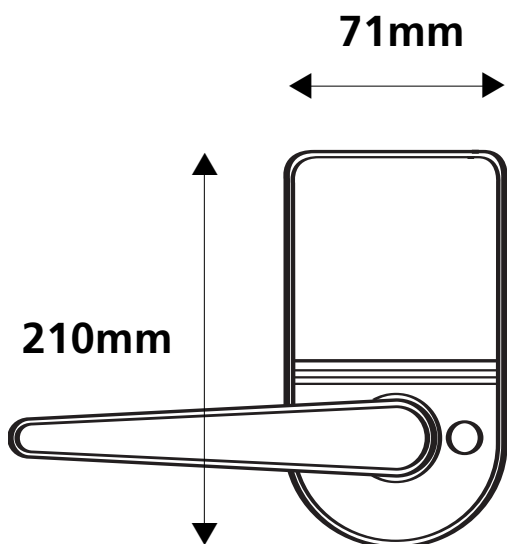
Biometric

- Simple Fingerprint Enrollment
- Suit Door Thickness from 30 to 54mm
- Stainless Steel Latch c/w Anti-Thrust Pin
- 2 Year Guarantee
- Battery Operated
- Key Override

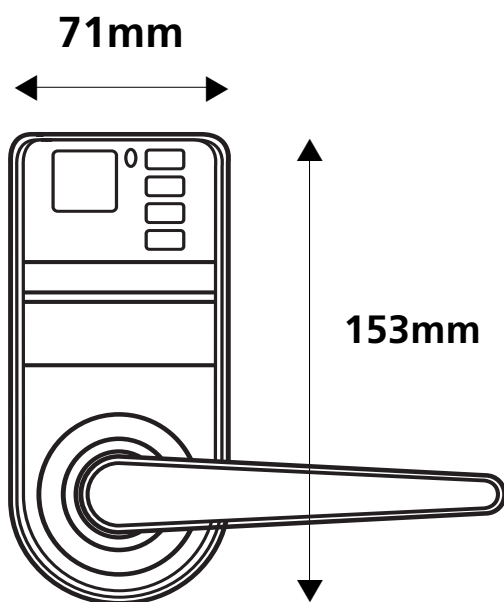
**Borglocks**
controlling access



A stand alone battery powered biometric (fingerprint) and pushbutton lock. With 3 methods of entry; fingerprint & pin, pin & key override. It has a cast steel construction and stainless steel keypad for durability and strength, and is supplied with either 60 or 70mm stainless steel latch with anti-thrust pin. It uses an optical sensor with high resolution (500dpi) which guarantees accuracy and therefore speed of access. Fingerprint deletion and enrollment is completed directly on the lock, no software needed.



9000 Back



9000 Front