

# Gate lock



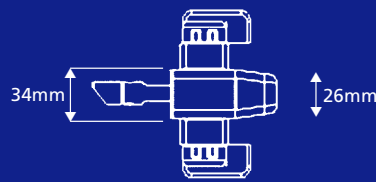
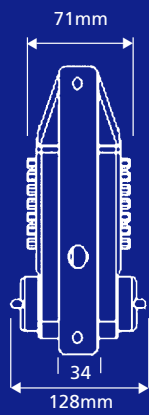
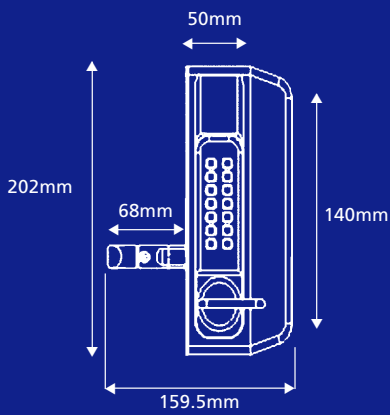
3100 Metal Gate

## Features

- **NEW** design, makes re-coding simple & error-free
- To suit gate profiles 40-80mm
- Easy grip anti-ligature handles
- Anti-climb housing
- Easily reversible
- Simple installation, two telescopic fixings
- Marine Grade quality, Saltwater tested
- 14 Digit keypad
- Adjustable sprung latch
- 8000+ combinations
- Security fixings



Marine Grade  
Black



3100 PC

**The Gate Lock** is another new & unique product from Borg which combines two Marine Grade keypads (Back to Back), with a special lock case with anti-ligature features and an adjustable latch bolt, designed to fit metal gates of various sizes and types.

This self locking system is designed to be adjustable as possible, being fully reversible, makes it suitable for left and right handed gates. Using the two telescopic fixing screws supplied, makes the Gate Lock simple to fit to most gates.

The two keypads are preset to the same code, but can be simply and easily changed to different and separate combinations as many times as required.

