

# Locker lock



Locker Front



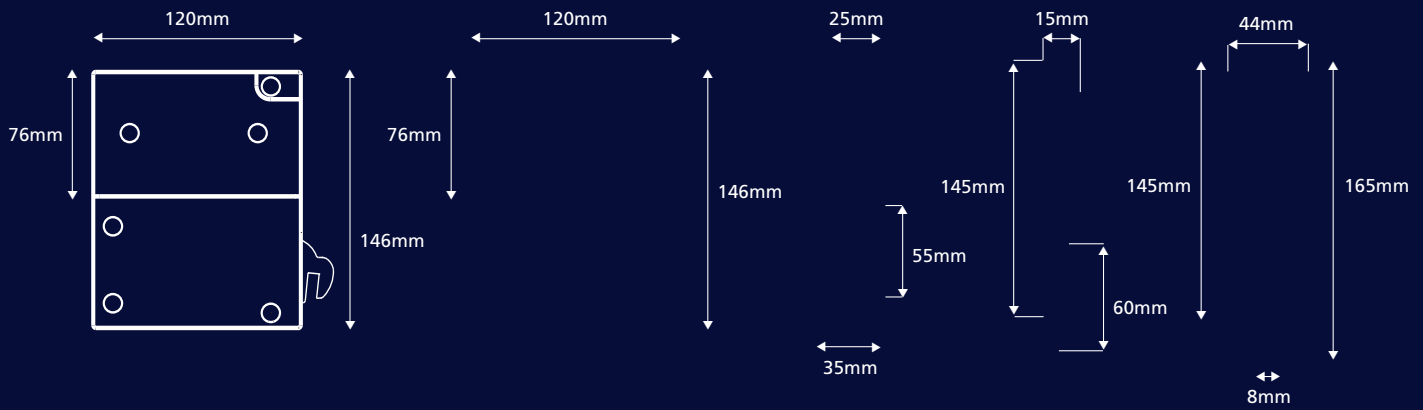
Satin Chrome



Electronic

## Features

- Electronic Security Lock with Personal ID Display - No More Keys and Wristbands
- Anti-Ligature Housing and Knob
- Same Footprint as Assa Coinlock
- Fully Water / Chlorine Resistant
- Symbolised LCD Screen
- Metal Buttons & Housing
- Over 1500 Code Combinations
- 8 Hour Time Lapse, Locker Re-opens
- Emergency Access in the Event of Power Failure
- Suitable for Doors 10 - 25mm
- Tested to 30,000 Cycles
- 5 Year Guarantee
- Overall Projection Only 16mm
- Tamper Proof Programming
- Battery Life Over 10,000 Cycles
- Battery Low Indicator
- Hook Bolt Locking
- CE Approved

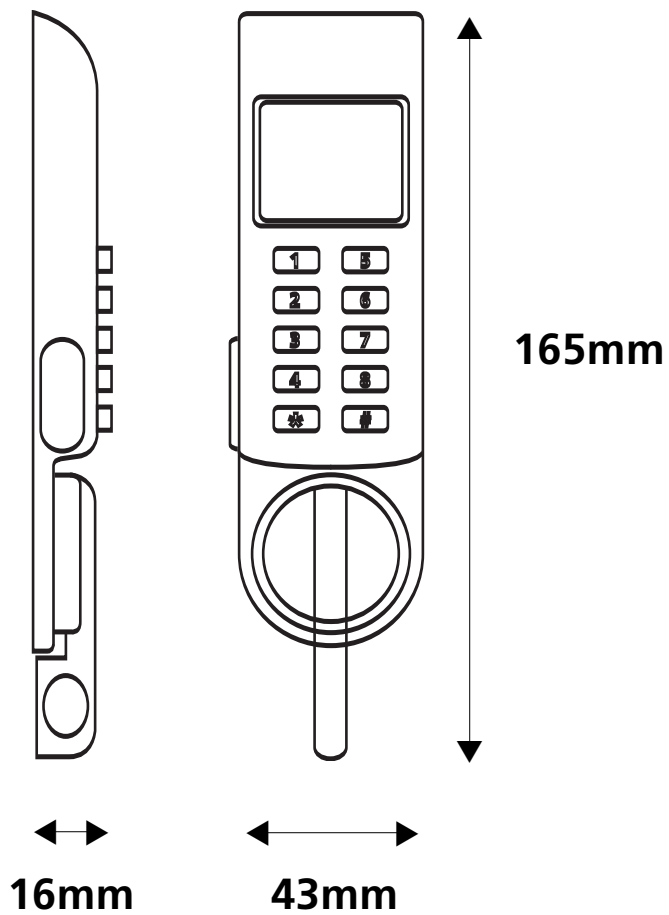


**This unique new product** has been designed and developed by Borg specifically for locker doors of most types. Eliminating the need for keys and wrist bands and instead allowing users to program their own user ID and pass code.

It is a stand alone battery powered locker lock, featuring an 8 digit alpha numeric key pad and an 8 digit master code providing 40,000 combinations.

Overall projection only 16mm. Tamperproof design and programming. Fully waterproof and chlorine resistant. Very simple 4 digit user programming.

Low power consumption ensures batteries will last for at least 12 months.



## Locker Lock