



Maximum Protection

The Packmate system is the ultimate **compact** void fill and paper cushioning system.

The system produces strong, lightweight, easy to handle cushion packs that are extremely versatile, providing complete protection for goods in transit.

The main advantage of cushion packs over alternative void fill solutions and paper dispensers is that total void fill is not necessary, thus **reducing the 'in-the-box' cost**.

Cushions can be formed into shock absorbing buffers to 'block and brace' products in the box, or moulded to the shape of the product - however complex - resulting in superior protection.



Friend to the Environment

- Not one single new tree is cut down to produce Easypack's paper packaging, as all paper used by our systems is **100% recycled**, **100% recyclable** and **100% biodegradable**
- The strength and versatility of the paper cushions mean that total void fill is not necessary
- Airspace can be left within the box, thus reducing the amount of material needed
- Packaging is produced as needed, reducing waste, bulk transport costs and storage space
- Strong paper means that the size of boxes can be reduced and less void fill is required
- Paper is PH neutral and completely free of oil based products



Compact & Convenient

The Packmate system is revolutionary in that it is small and compact, saving valuable space at work stations. Packaging storage is also greatly reduced as the paper roll converts to up to 58 times it's original volume, unlike traditional void fill solutions that have to be stored at their full volume. Paper cushions are effortlessly created on demand at the point of use, so you only produce as much as is required at any one time.



Interchangeable
control panel
options

Easy and Efficient

The system is designed to be economical and easy to use; one of its many features include Easypack's unique easy loading system, saving you precious time and effort changing the paper rolls, thus allowing you to maintain an incredibly efficient packing process.

The Packmate also includes a simple interchangeable digital control panel, providing options for automatic, semi-automatic or foot pedal functionality. The panel can be remotely located to suit the individual needs of your packing stations. The length and quantity of the paper cushions can also be quickly selected to meet your exact requirements.

The Packmate uses strong single ply paper for superior protection and provides the option of either brown or white paper, in various grades. These options combined with adaptable controls mean that the system provides total flexibility to meet your packaging needs.

30 Second Paper Loading



Place the roll of paper on the holder

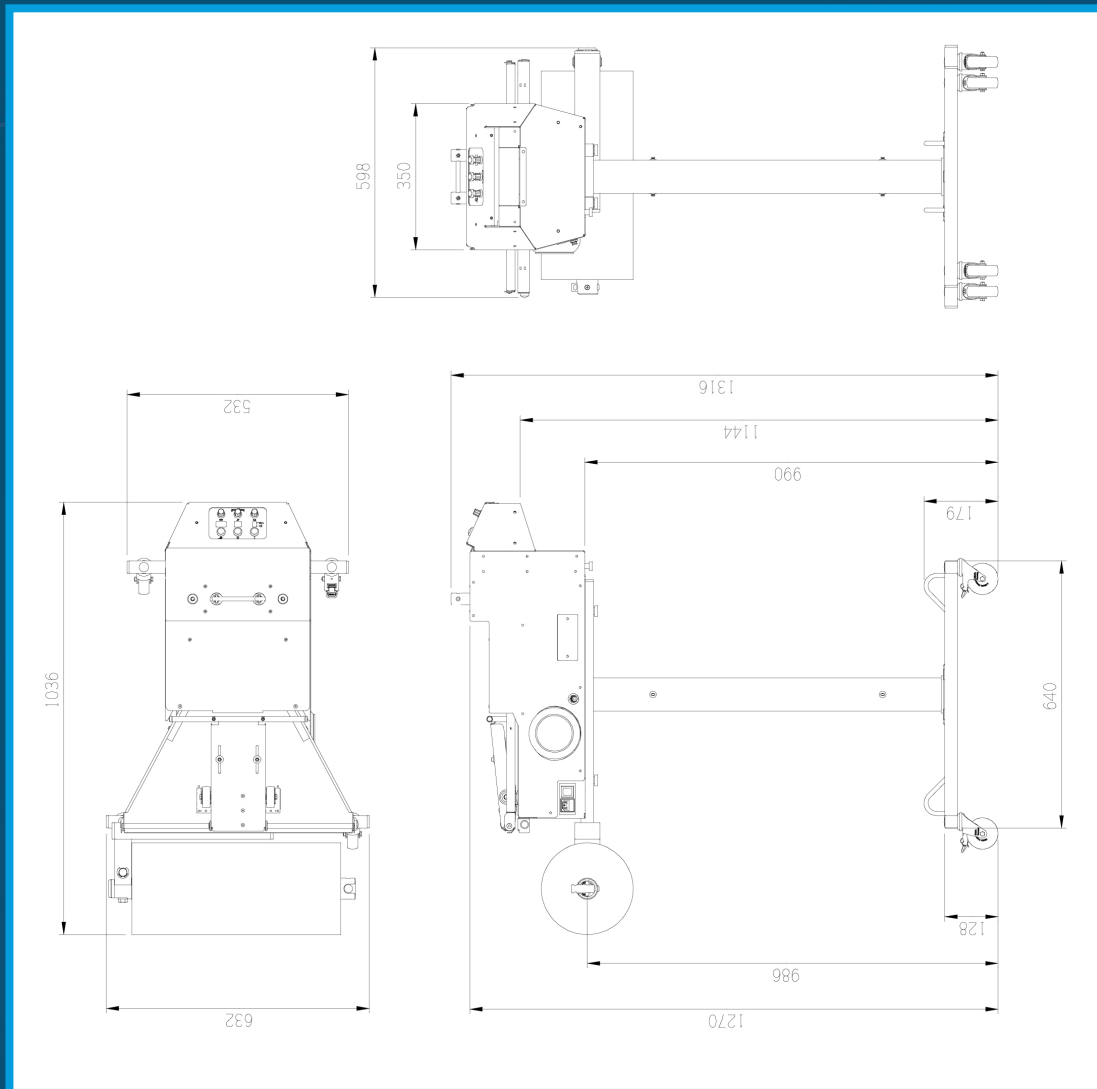


Feed the paper through the rollers



Press the blue 'auto-load' button

TECHNICAL INFORMATION



SPECIFICATIONS

Pallet Quantity	20 Rolls
Machine Weight (standard with frame)	70 kg
Roll Weight (70g single ply roll)	10 kg (average)
Roll Length (70g single ply roll)	up to 300m
Cushion Width	100 mm
Output Volume	up to 1 cubic metres
Output Speed	23m per min
Ideal Usage	On demand
Voltage	220V / 240V
Max Power Input	460W

EasyPack Ltd

Unit 1 | The io Centre | Arlington Business Park | Stevenage | Hertfordshire
SG1 2BD | United Kingdom