



Compact and Convenient

The Packmate Online system from Easypack combines the very best of 20 years of product development, with the market requirement for a compact, online, paper cushioning system. The mobile frame mounting makes it effortless to incorporate the Packmate Online into almost any existing conveyor system.

One of the exclusive features of this brand new system is the multiple user mode 'MUM,' which enables the operator(s) to switch between speeds to ensure that it is always working at the optimum pace for one or more operators.



The Packmate Online paper cushioning system is suitable for the packaging of a wide range of products.

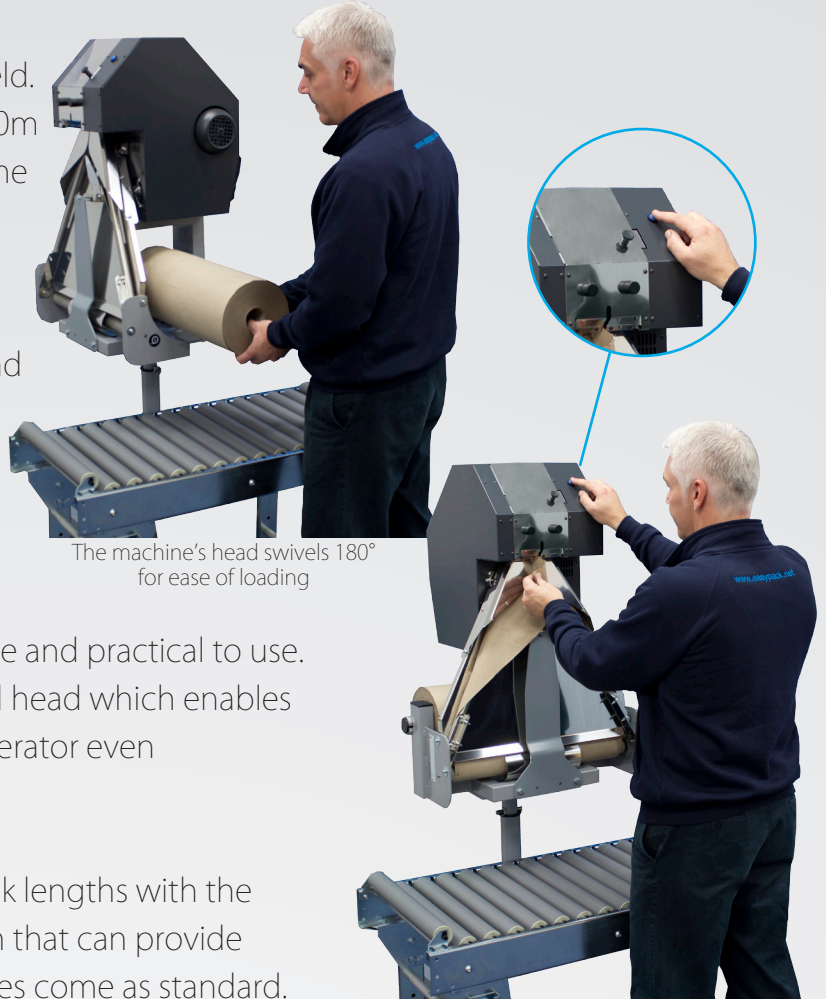
Friend to the Environment

- Not one single new tree is cut down to produce Easypack's paper packaging, as all paper used by our paper systems is 100% recycled, 100% recyclable and 100% biodegradable
- The strength and versatility of the paper cushions mean that total void fill is not necessary. Airspace can be left within the box, thus reducing the amount of material needed as well as the in the box cost
- Packaging is produced as needed, reducing waste, bulk transport costs and storage space
- Strong paper means that the size of boxes can be reduced and less void fill is required
- High system output of up to 80m of packaging per minute helps to reduce labour and packing time, thus increasing productivity



Innovative Solutions

The Packmate Online is revolutionary in its field. It combines great speed - producing up to 80m of converted paper pack per minute - with the ability to produce actual cushion packs. The increased speed, in conjunction with the strength of the pack can offer exceptional savings versus traditional void fill solutions and alternative paper dispensing systems.



The machine's head swivels 180° for ease of loading

The Packmate Online is designed to be simple and practical to use. Changing paper is made easy with the swivel head which enables super fast automatic loading, without the operator even having to move position!

The system has the ability to vary and set pack lengths with the simple turn of a dial. It also offers a footswitch that can provide continuous output for larger voids. All features come as standard.



There are many different strategic packaging techniques that can be used to reduce the amount of material used.



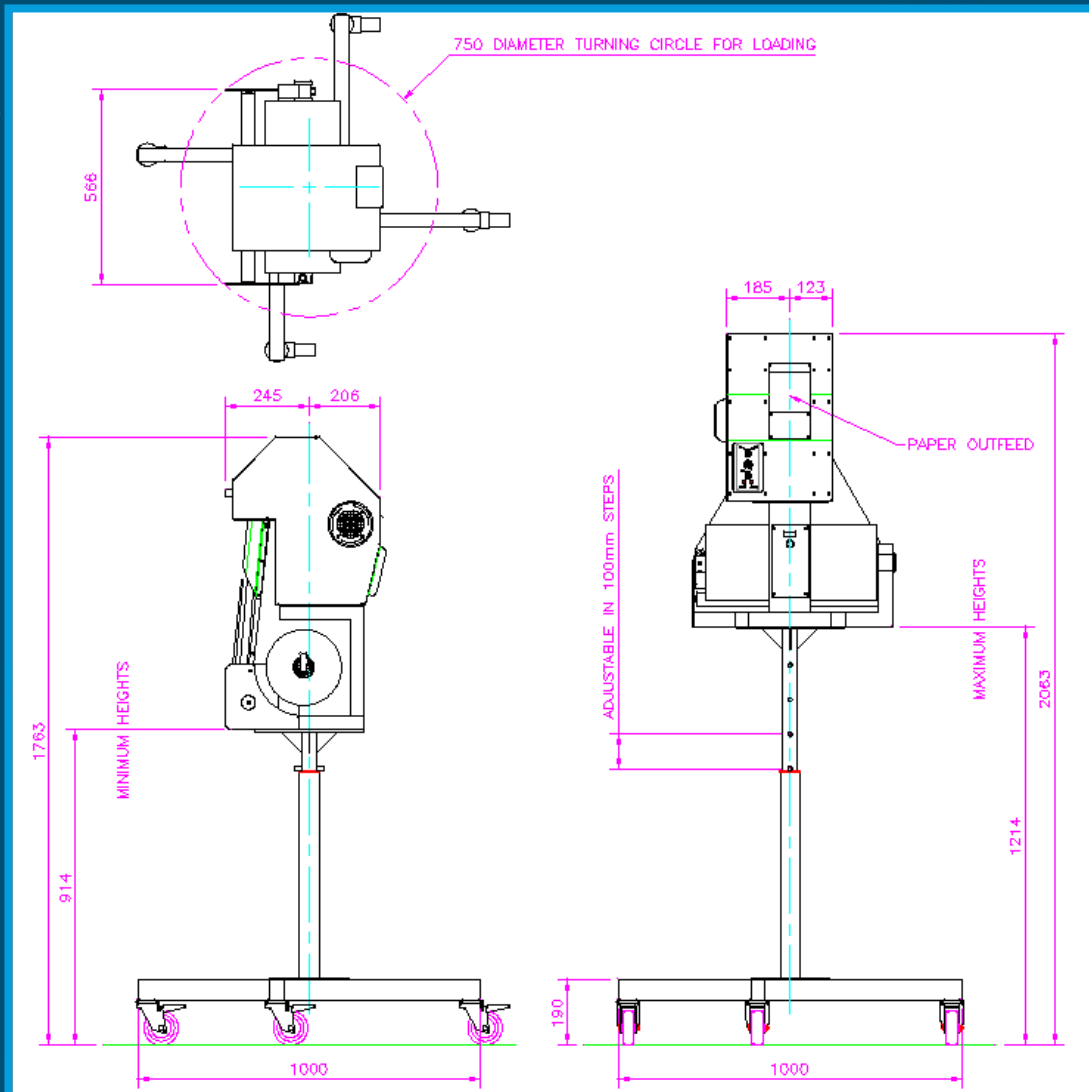
Our Expertise is All Yours

The Packmate Online is the latest in a long line of robustly designed systems from Easypack and therefore comes with our high quality assurances.

All Easypack systems are backed by our preventative maintenance programme, which ensures that your machines are periodically checked by our highly trained in house engineers. This means that you can rest assured that your operative(s) will experience absolute minimal 'down-time' whilst using this, or any, of our systems.

Easypack also offer free on-site staff training in the operation of our equipment, and strategic packaging techniques to ensure you are getting the very best out of your system.

TECHNICAL INFORMATION



SPECIFICATIONS

Pallet Quantity	20 Rolls
Machine Weight (standard with frame)	82 kg
Roll Weight	10 kg (average)
Roll Length	up to 450m
Cushion Width	up to 100 mm
Output Volume	up to 1cubic metre
Output Speed	up to 80m per min
Ideal Usage	On demand
Voltage	220V / 240V
Max Power Input	5A

Easypack Ltd

Unit 1 | The io Centre | Arlington Business Park | Stevenage | Hertfordshire
SG1 2BD | United Kingdom